



US00D698426S

(12) **United States Design Patent**
Delaney

(10) **Patent No.:** **US D698,426 S**
(45) **Date of Patent:** **** Jan. 28, 2014**

(54) **COMMODE WITH DISPOSABLE RECEPTACLE**

Primary Examiner — Robert Delehanty
(74) *Attorney, Agent, or Firm* — Sinorica, LLC

(71) Applicant: **Molly Bridget Delaney**, Eden Prairie, MN (US)

(72) Inventor: **Molly Bridget Delaney**, Eden Prairie, MN (US)

(57) **CLAIM**
The ornamental design for a commode with disposable receptacle, as shown and described.

(**) Term: **14 Years**

(21) Appl. No.: **29/456,724**

DESCRIPTION

(22) Filed: **Jun. 3, 2013**

(51) **LOC (10) Cl.** **23-02**

(52) **U.S. Cl.**
USPC **D23/299**; 4/460; 4/315

(58) **Field of Classification Search**
USPC D23/299, 309; 4/315, 46, 420
See application file for complete search history.

FIG. 1 is a perspective view of a commode with disposable receptacle;
FIG. 2 is a front view thereof;
FIG. 3 is a rear view thereof;
FIG. 4 is a right view thereof;
FIG. 5 is a left view thereof;
FIG. 6 is a top view thereof;
FIG. 7 is a bottom view thereof; and,
FIG. 8 is a perspective view thereof, showing the commode with disposable receptacle secured to a frame.
The broken line showing a frame and the broken line showing absorbent fillings is included for the purpose of illustrating environmental structure and forms no part of the claimed design.

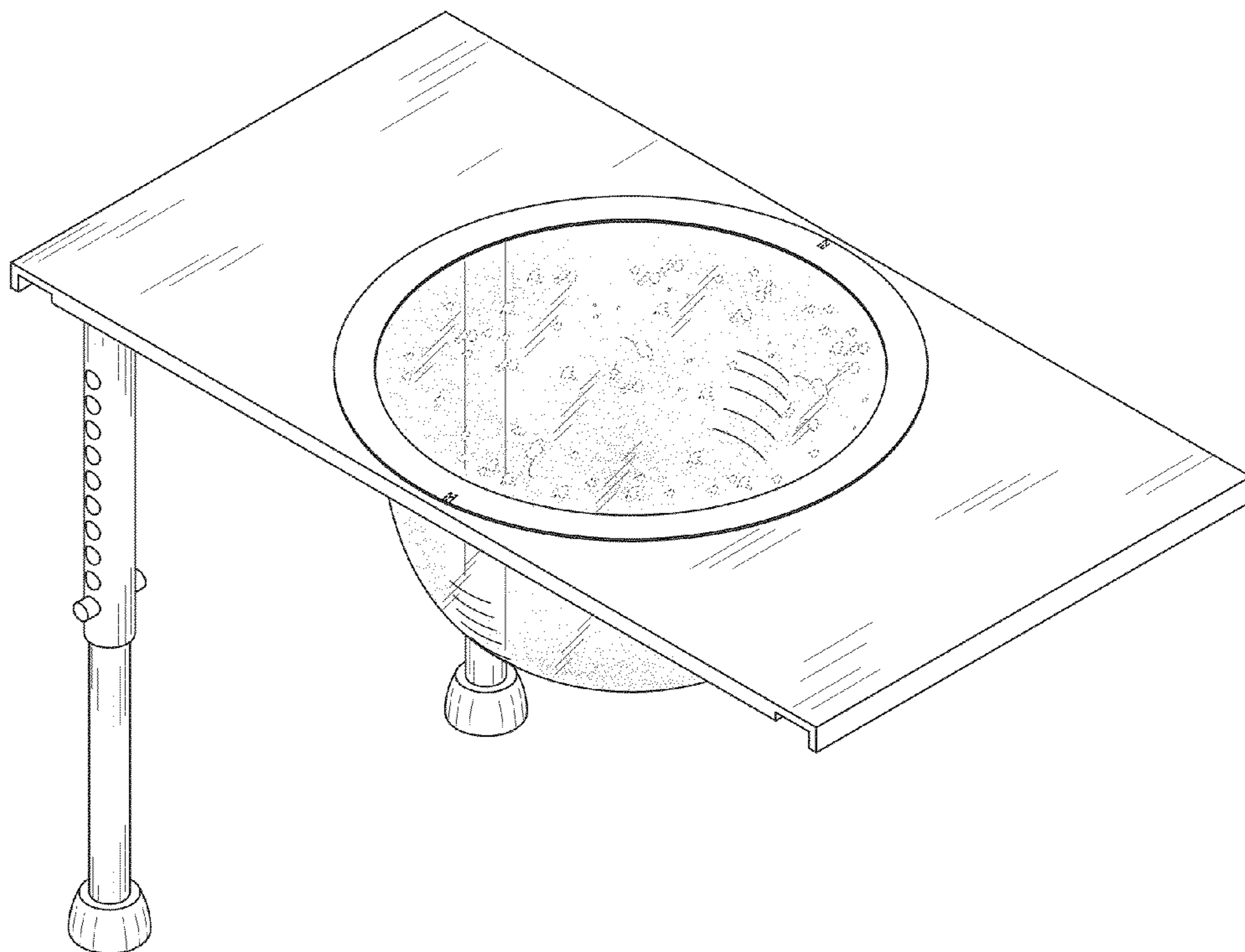
(56) **References Cited**

U.S. PATENT DOCUMENTS

4,819,277	A *	4/1989	Sikirov	4/254
D323,881	S *	2/1992	Franey	D23/299
6,023,792	A *	2/2000	Croucher et al.	4/484
6,647,560	B1 *	11/2003	Hingley et al.	4/484

* cited by examiner

1 Claim, 8 Drawing Sheets



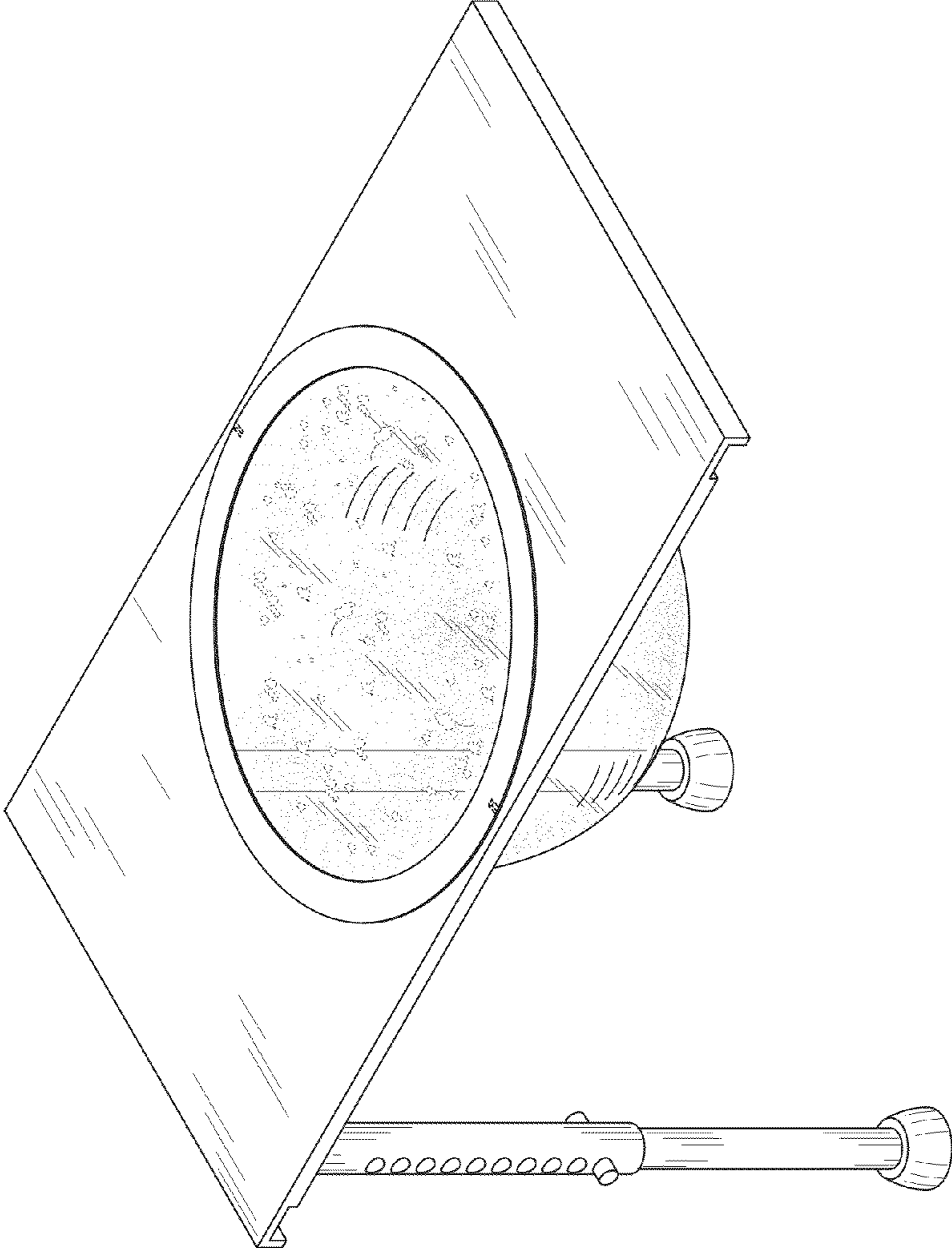


FIG. 1

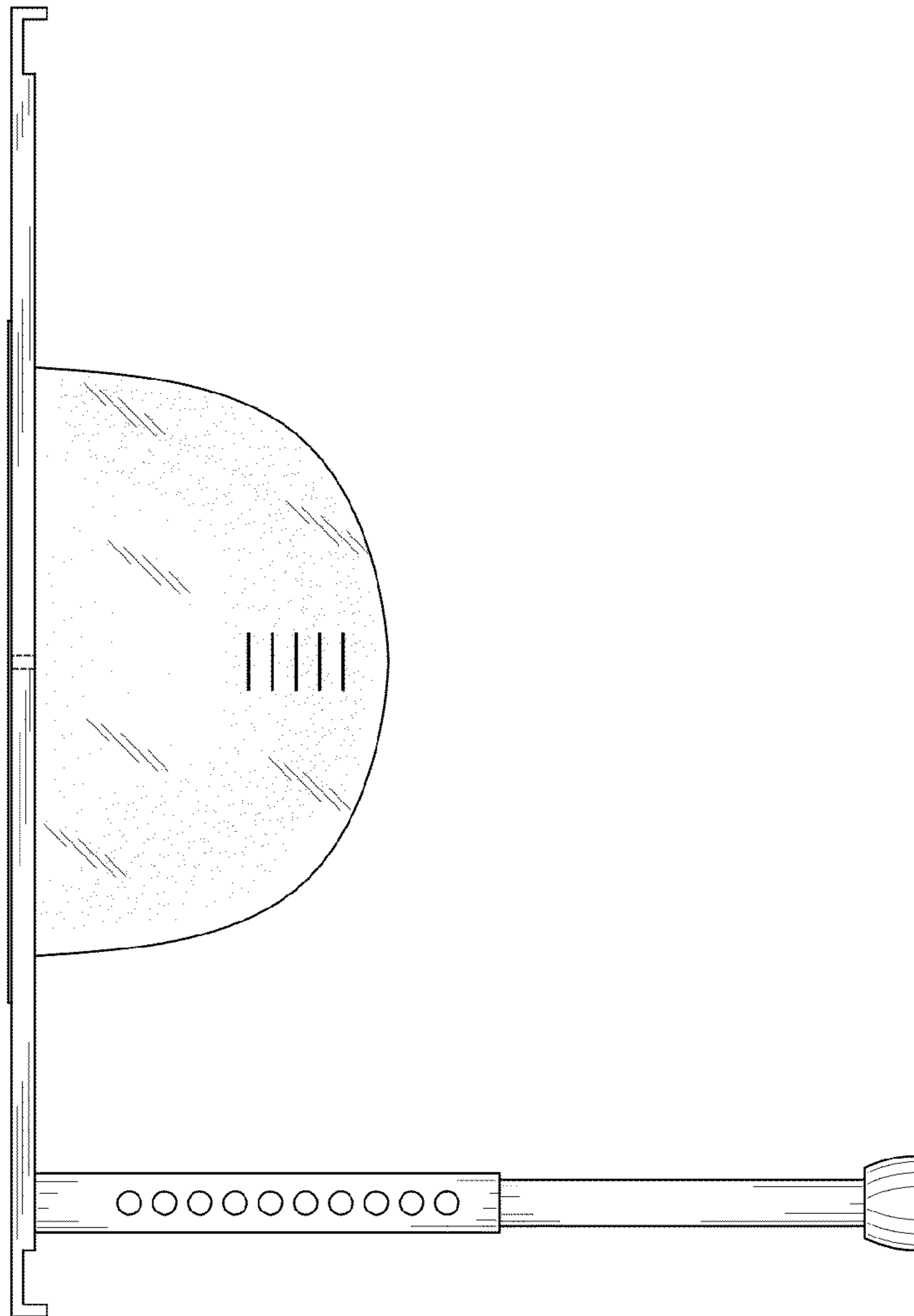


FIG. 2

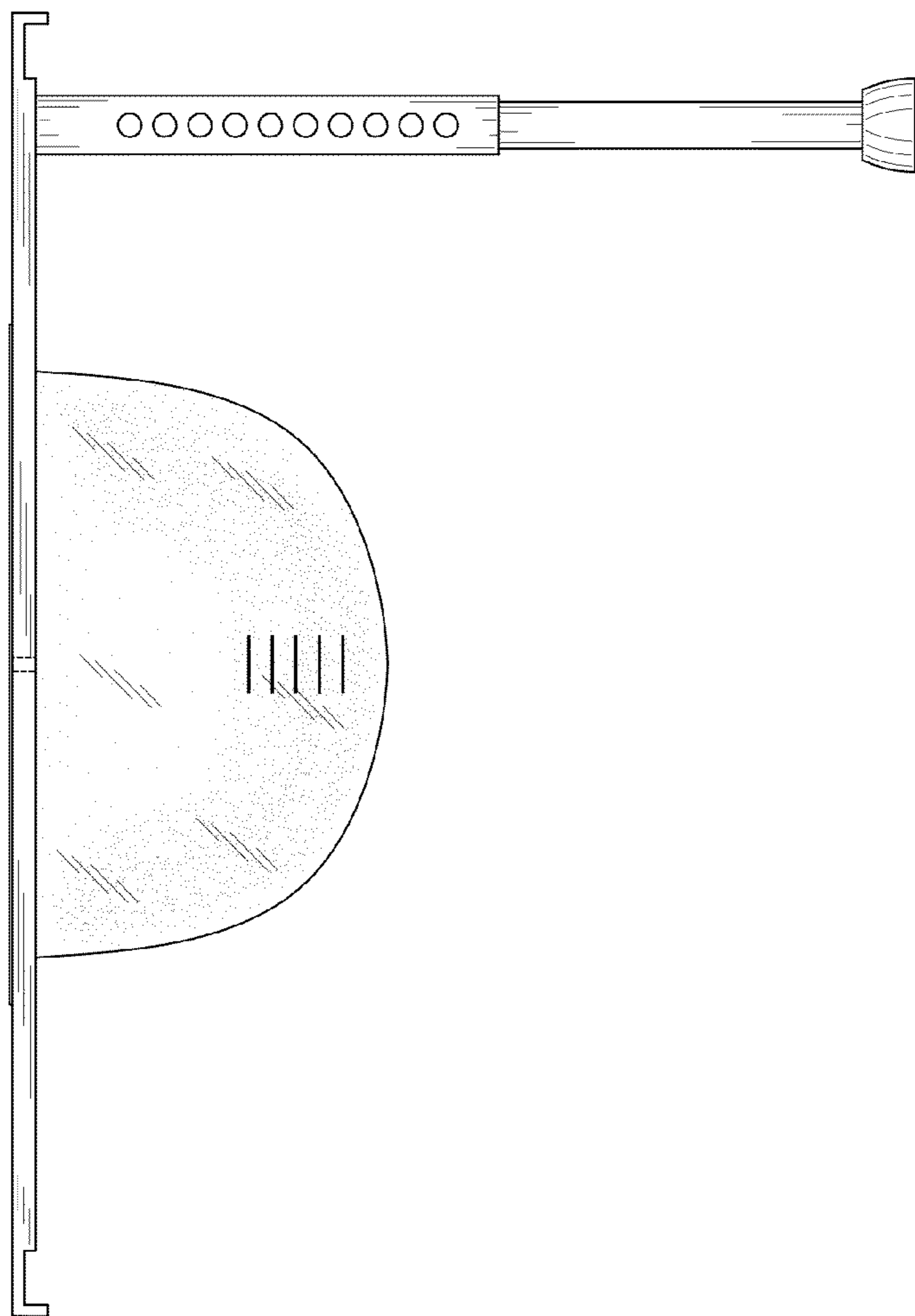


FIG. 3

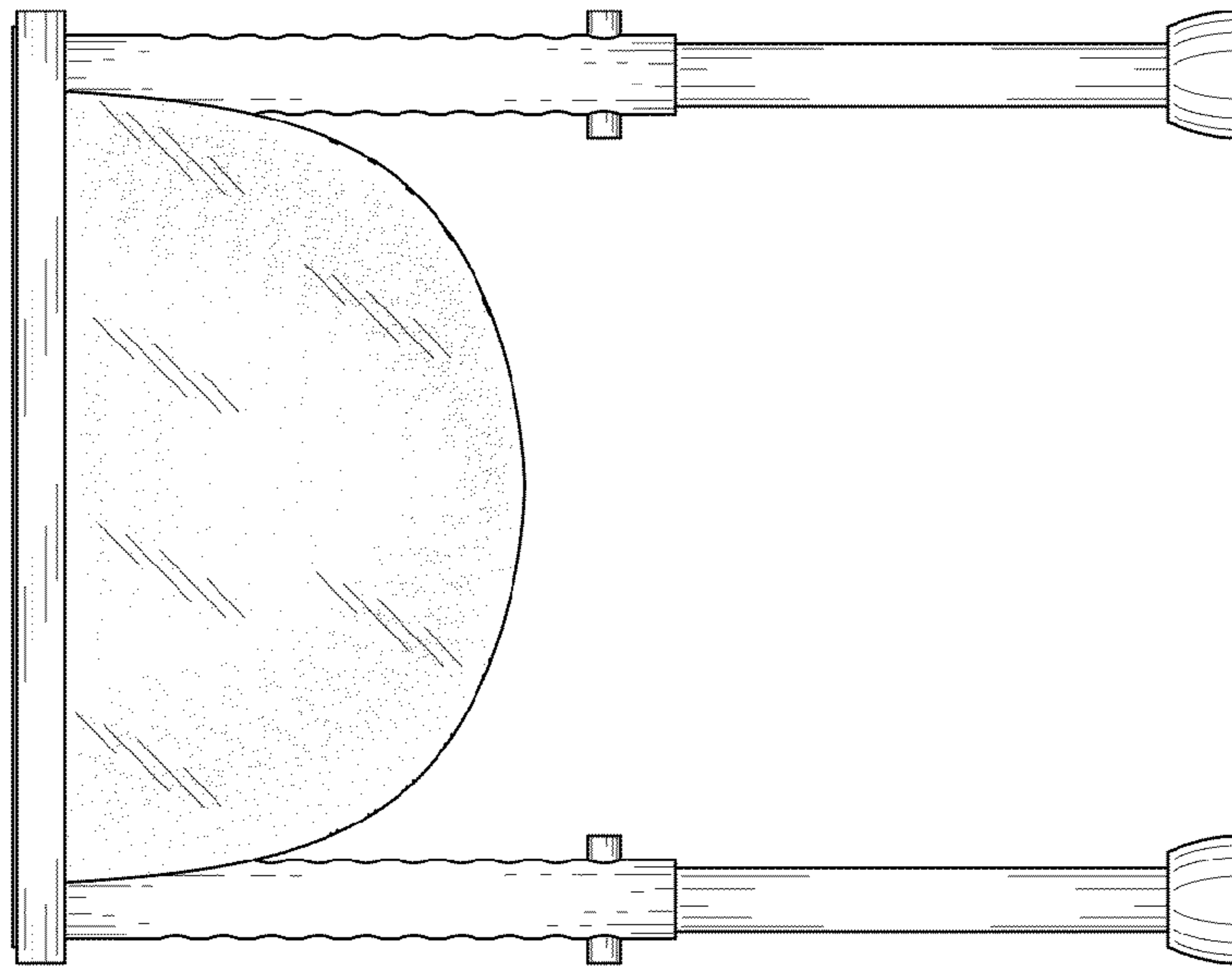


FIG. 4

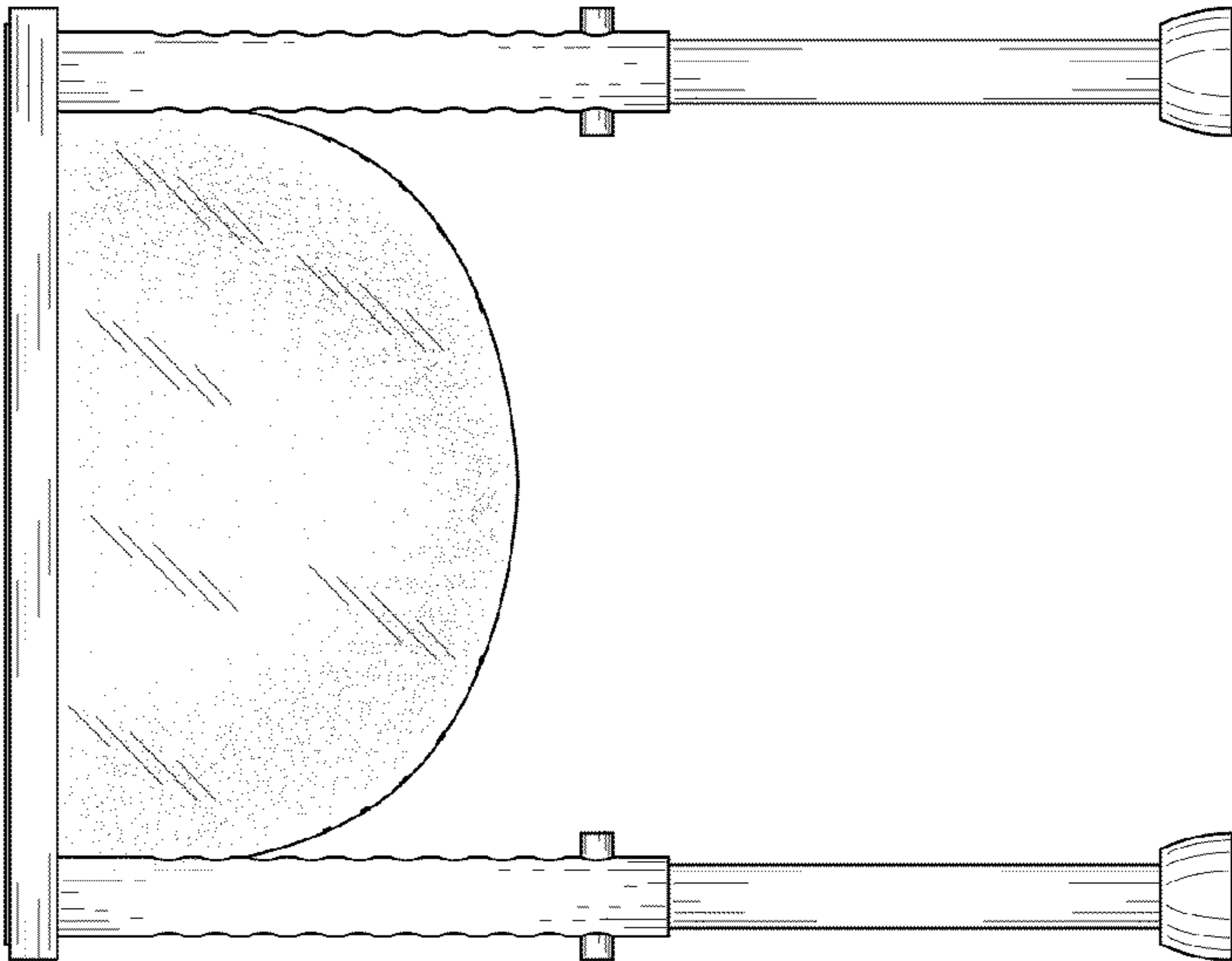


FIG. 5

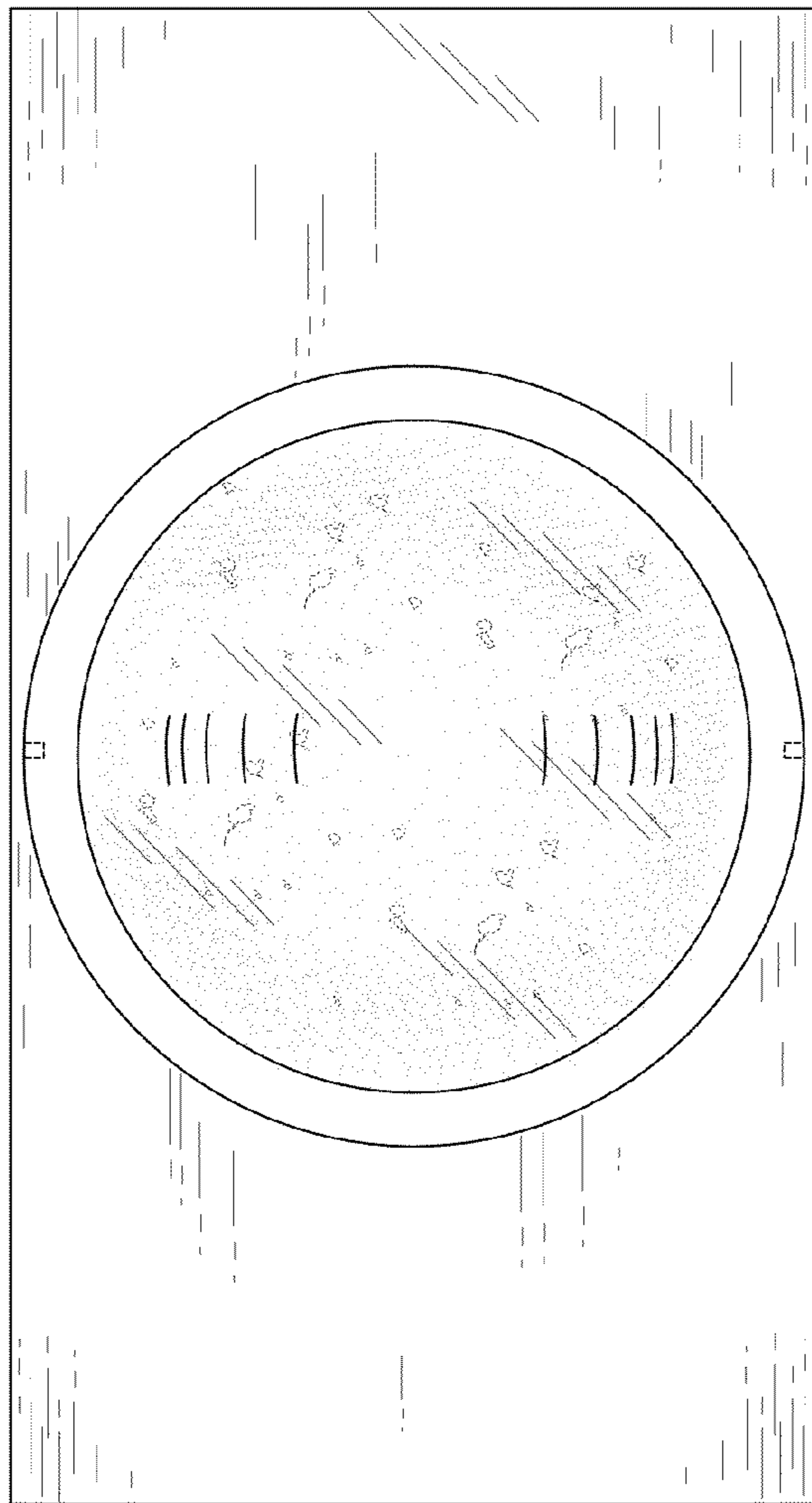


FIG. 6

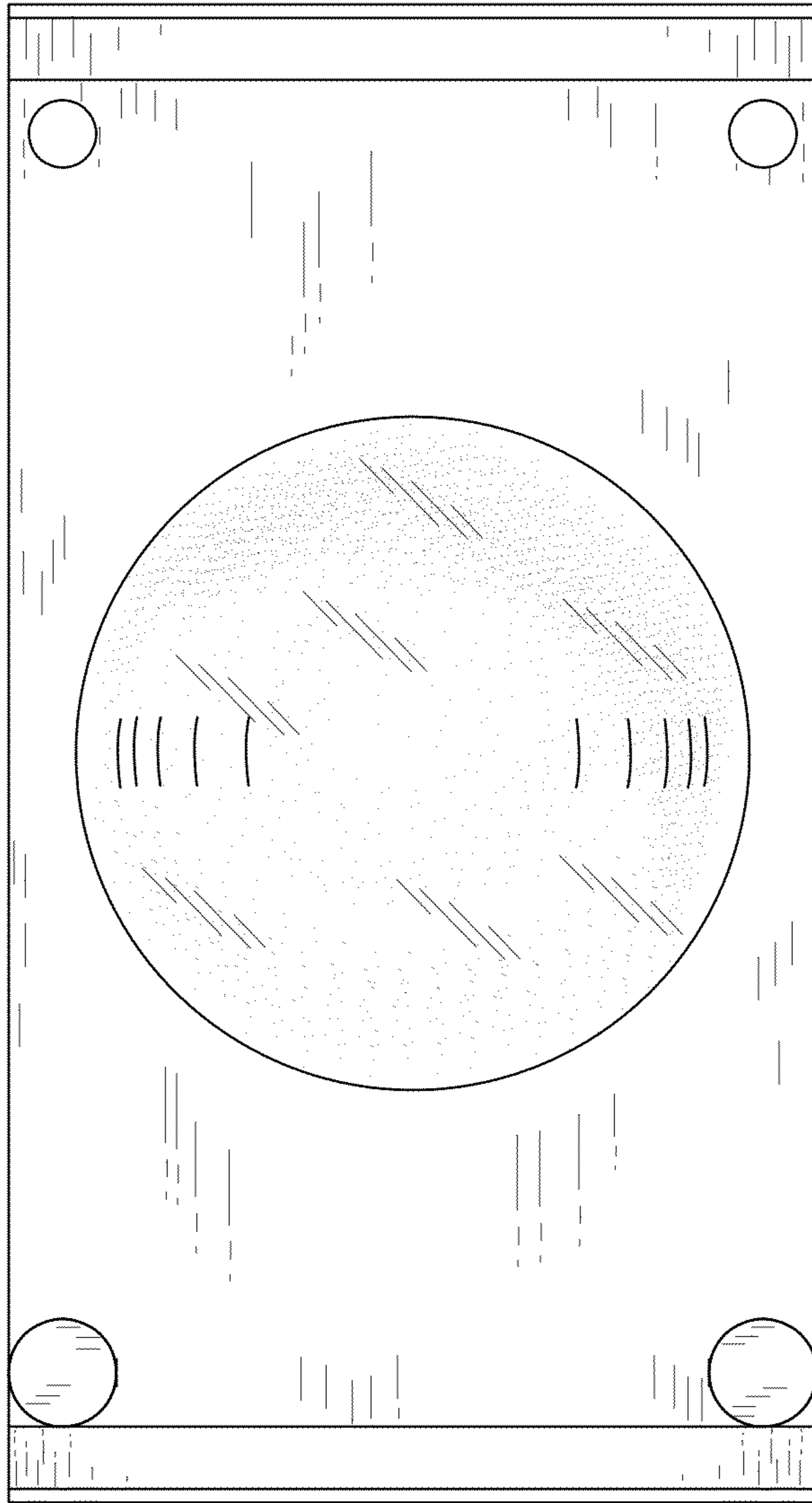


FIG. 7

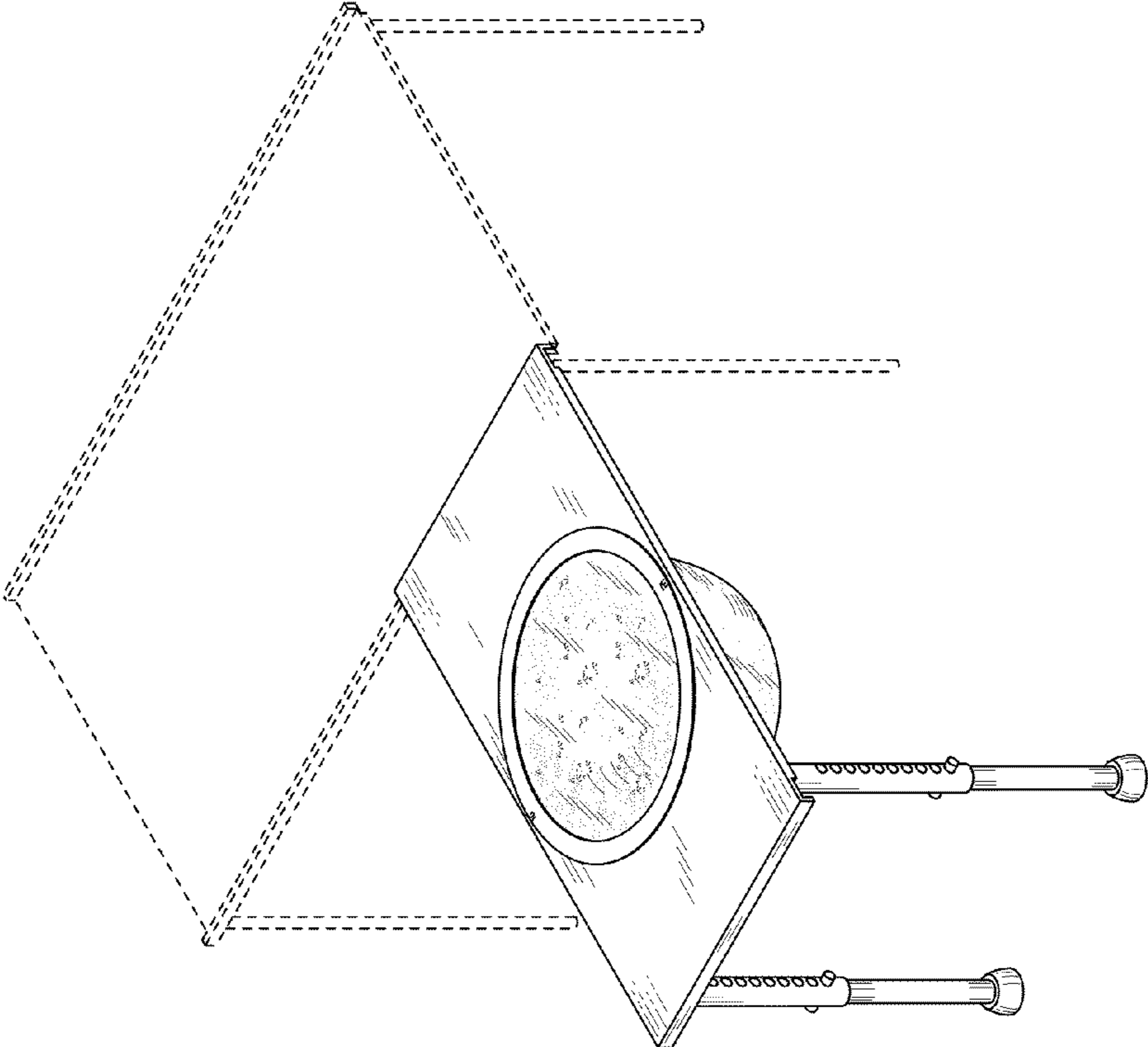


FIG. 8