



US00D698424S

(12) **United States Design Patent**
Georgeson et al.

(10) **Patent No.:** **US D698,424 S**
(45) **Date of Patent:** **** Jan. 28, 2014**

- (54) **FAUCET**
- (71) Applicant: **Kohler Co.**, Kohler, WI (US)
- (72) Inventors: **Paul B. Georgeson**, Sheboygan, WI (US); **Herbert V. Kohler, Jr.**, Kohler, WI (US)
- (73) Assignee: **Kohler Co.**, Kohler, WI (US)
- (**) Term: **14 Years**
- (21) Appl. No.: **29/465,128**
- (22) Filed: **Aug. 23, 2013**

D532,868 S	11/2006	Spangler et al.	
D549,304 S *	8/2007	Sedwick et al. D23/249
D566,812 S	4/2008	Kohler et al.	
D566,813 S	4/2008	Kohler et al.	
D567,909 S	4/2008	Schonherr et al.	
D567,912 S	4/2008	Juratovac et al.	
D577,107 S	9/2008	Gilbert	
D580,023 S	11/2008	Gilbert	
D608,417 S	1/2010	Rubin et al.	

OTHER PUBLICATIONS

Notice of Allowance on U.S. Appl. No. 29/390,742, mail date Feb. 13, 2012, 5 pages.
 Notice of Allowance on U.S. Appl. No. 29/422,624, mail date Sep. 24, 2012, 5 pages.
 Restriction Requirement on U.S. Appl. 29/390,472, mail date Jan. 4, 2012, 8 pages.

* cited by examiner

Primary Examiner — Robert Delehanty
 (74) *Attorney, Agent, or Firm* — Foley & Lardner LLP

Related U.S. Application Data

- (60) Division of application No. 29/440,551, filed on Dec. 21, 2012, now Pat. No. Des. 691,708, which is a continuation of application No. 29/422,624, filed on May 22, 2012, now Pat. No. Des. 676,117, which is a division of application No. 29/390,472, filed on Apr. 25, 2011, now Pat. No. Des. 661,783.
- (51) **LOC (10) Cl.** **23-01**
- (52) **U.S. Cl.**
USPC **D23/249**
- (58) **Field of Classification Search**
USPC D23/238–243, 249, 255–257;
4/675–678; 137/801
See application file for complete search history.

(57) **CLAIM**
 We claim the ornamental design for a faucet, as shown and described.

DESCRIPTION

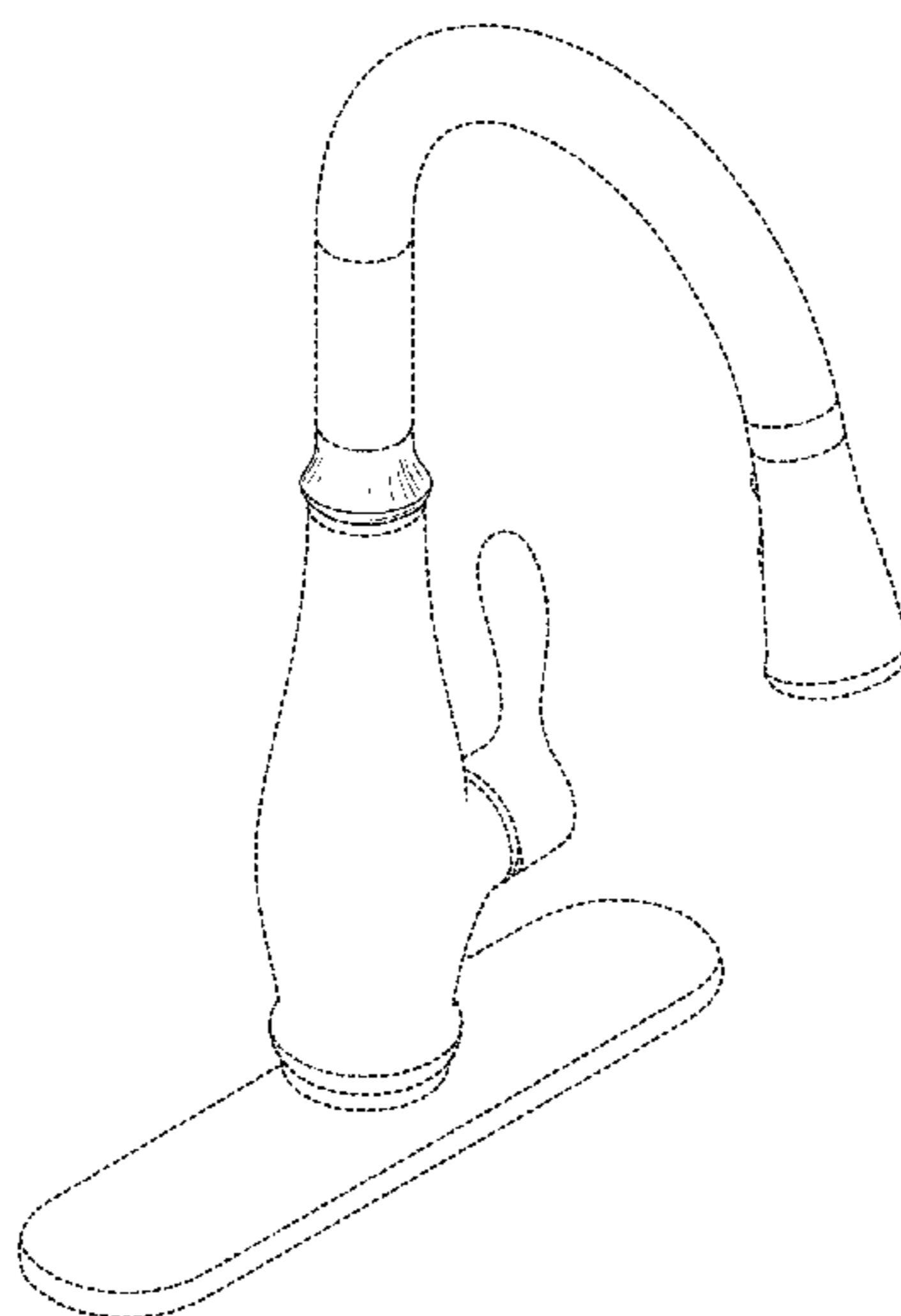
FIG. 1 is a top perspective view of an embodiment of the claimed design;
 FIG. 2 is a right-side elevation view thereof;
 FIG. 3 is a left-side elevation view thereof;
 FIG. 4 is a front elevation view thereof;
 FIG. 5 is a rear elevation view thereof;
 FIG. 6 is a top plan view thereof; and,
 FIG. 7 is a bottom plan view thereof.
 The ornamental design which is claimed is shown in solid lines in the drawings: The broken lines in the drawings are for illustrative purposes only and form no part of the claimed design.

1 Claim, 7 Drawing Sheets

(56) **References Cited**

U.S. PATENT DOCUMENTS

D352,095 S	11/1994	Bollenbacher	
D428,965 S	8/2000	Slothower	
D429,800 S *	8/2000	Spangler D23/255
D460,150 S	7/2002	Rexach	
D487,798 S	3/2004	Bayer	
D499,795 S	12/2004	Bayer	
D526,050 S *	8/2006	Gilbert D23/249
D531,271 S	10/2006	Kohler et al.	



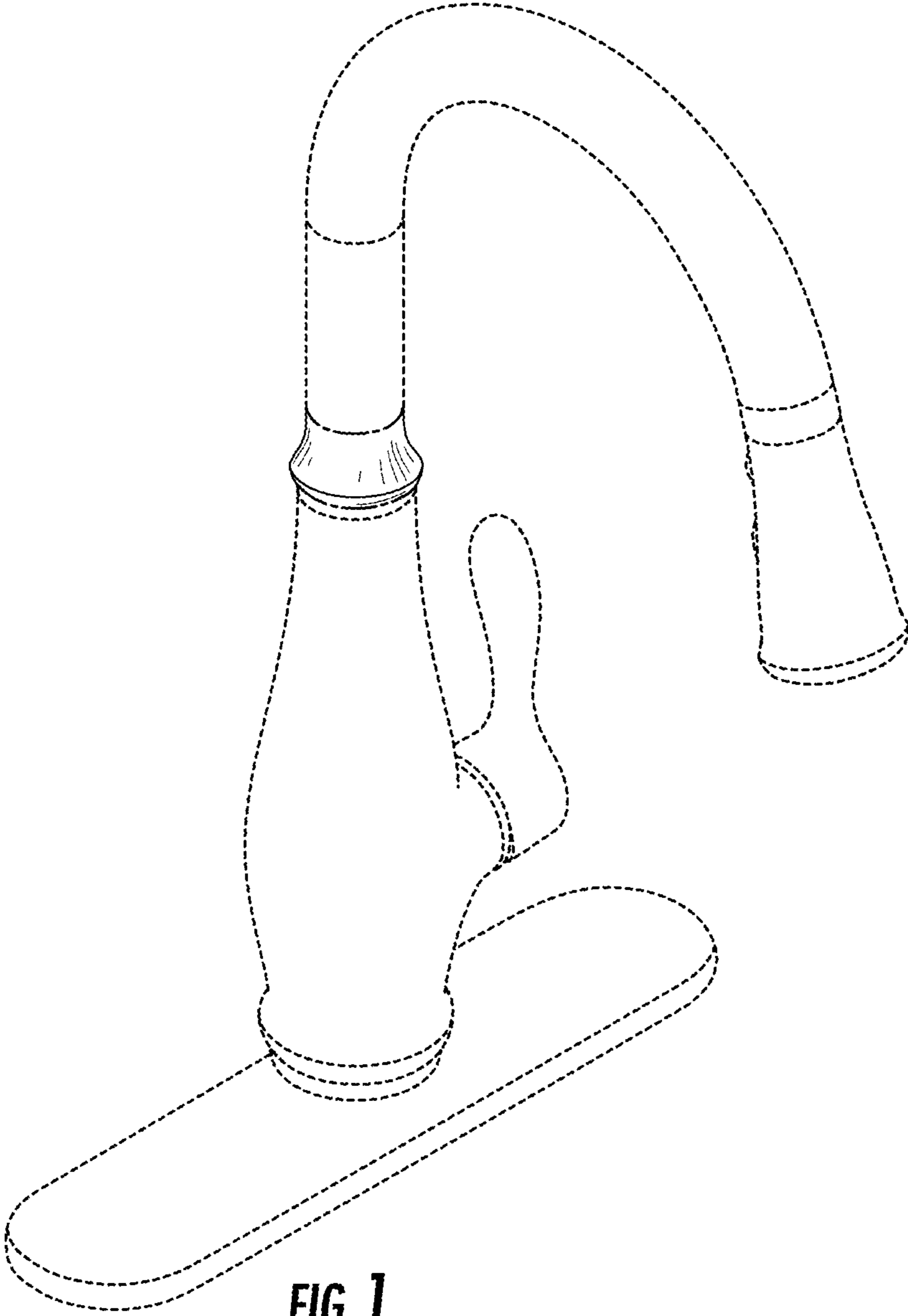


FIG. 1

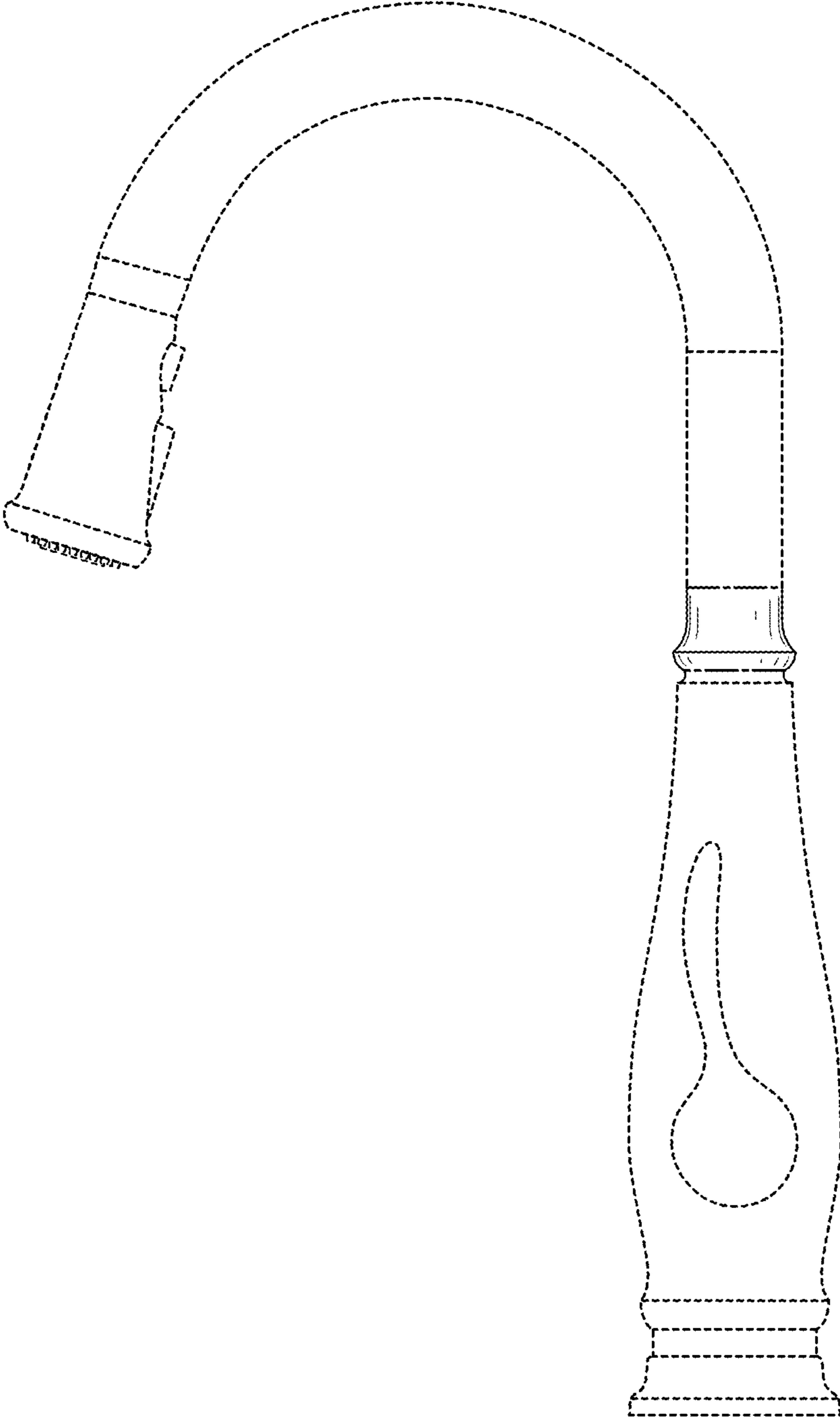


FIG. 2

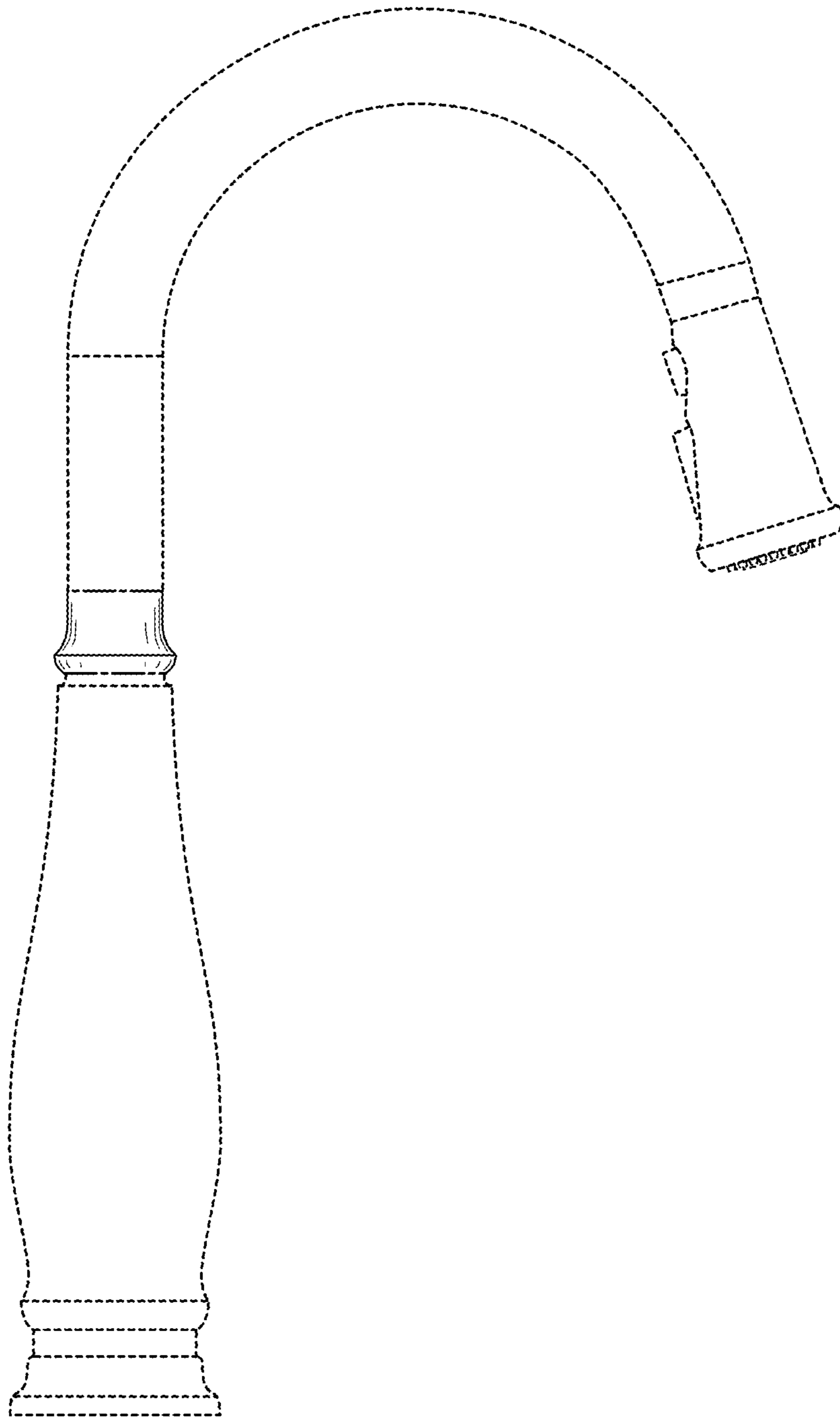


FIG. 3

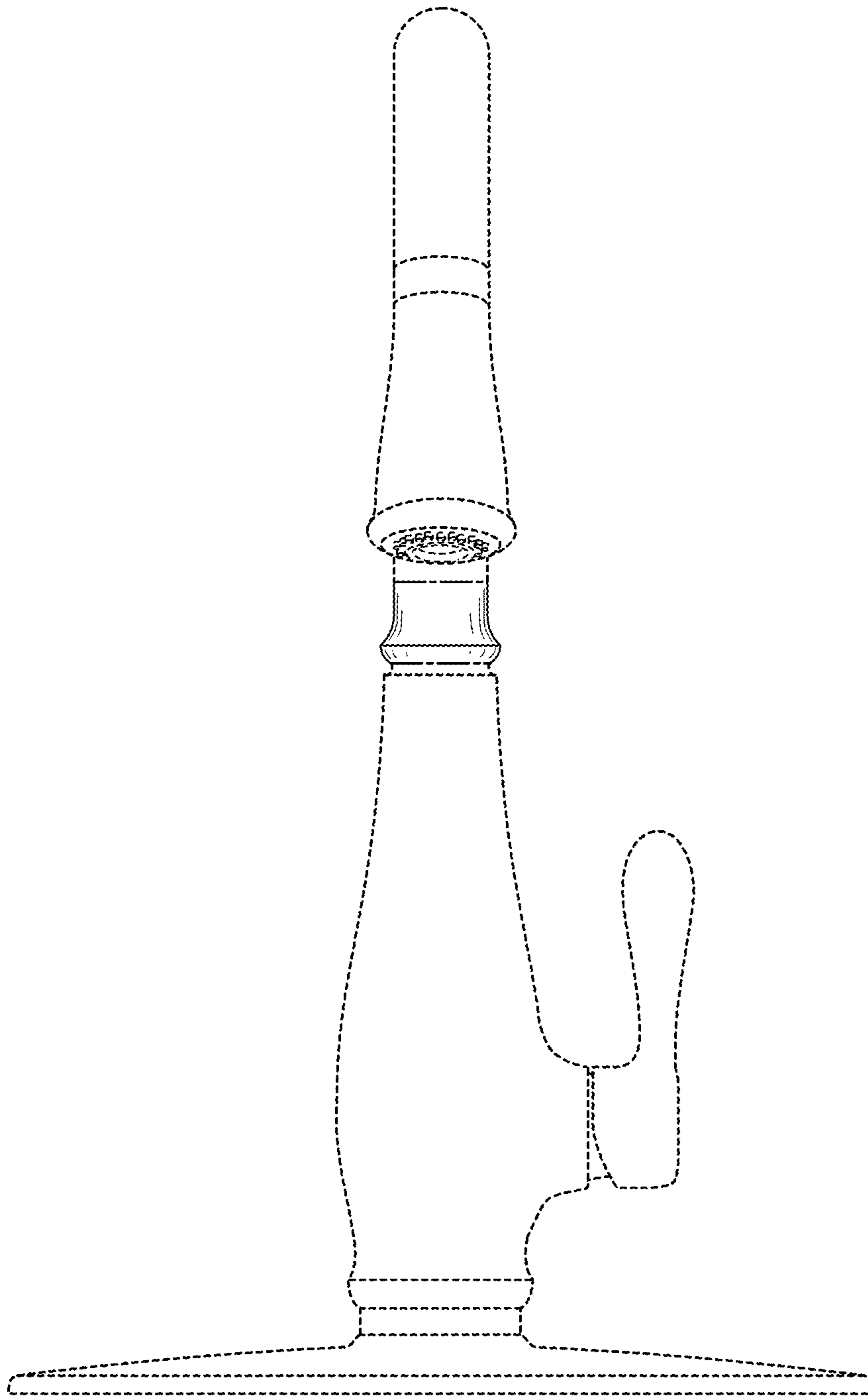


FIG. 4

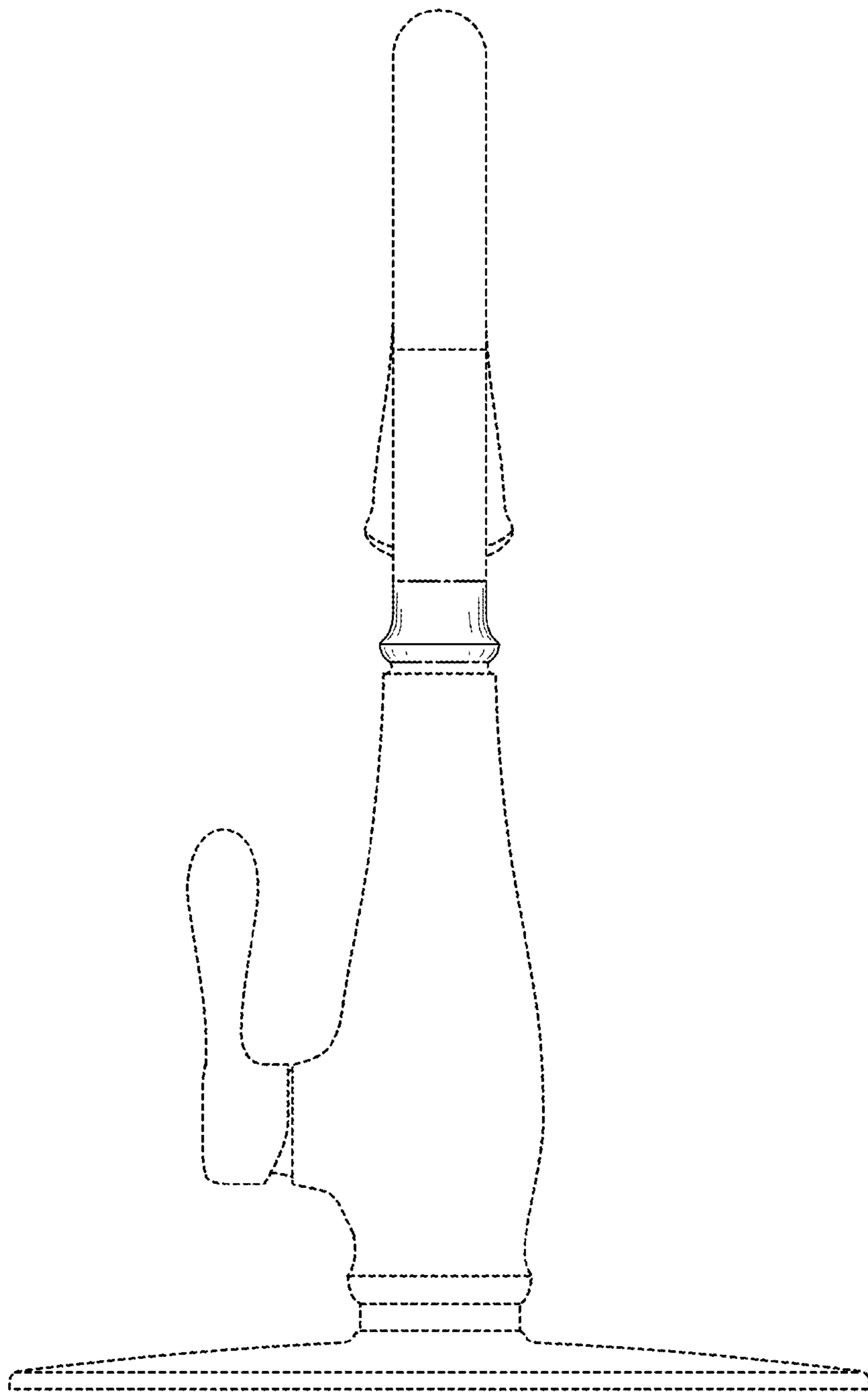


FIG. 5

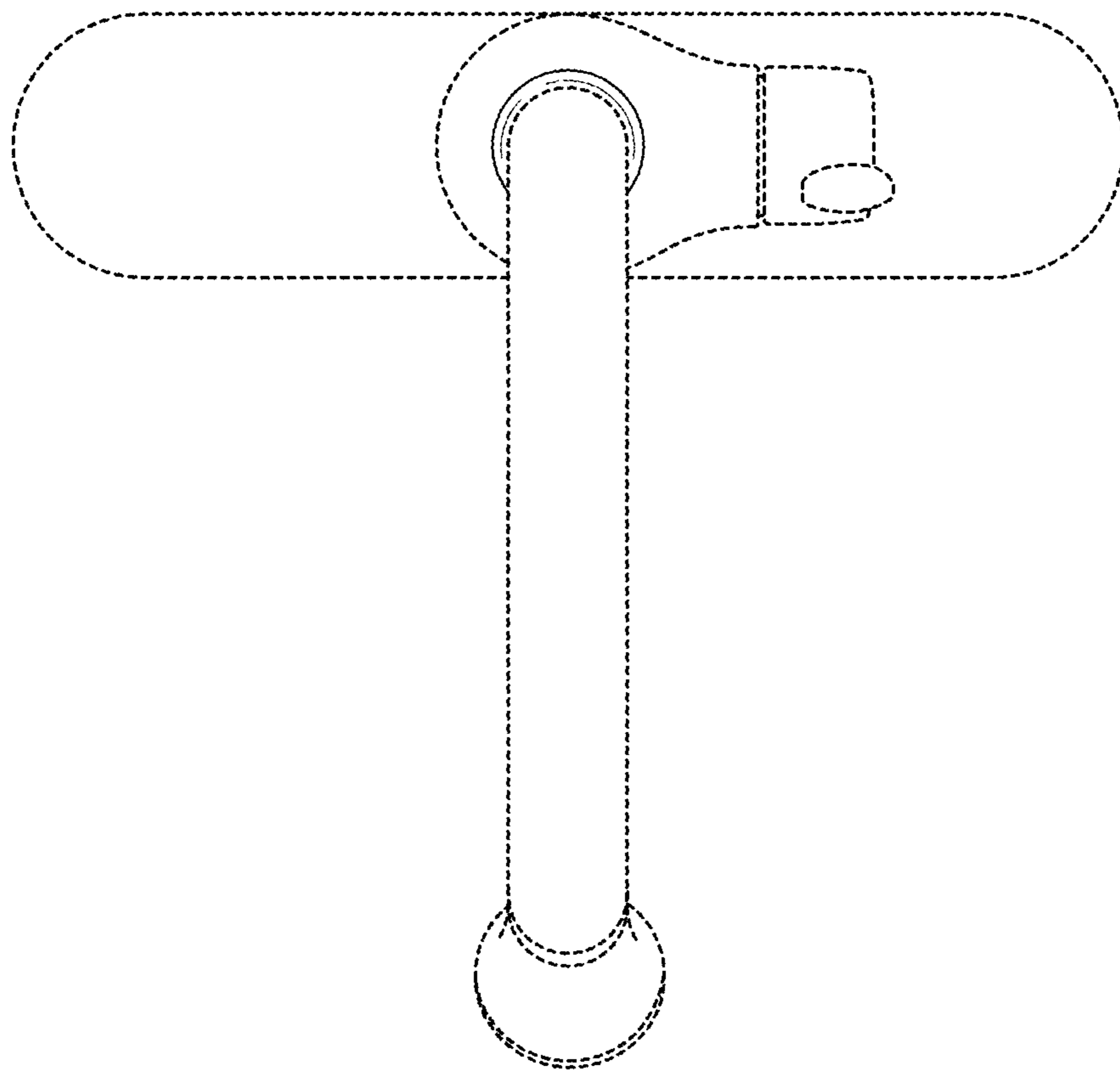


FIG. 6

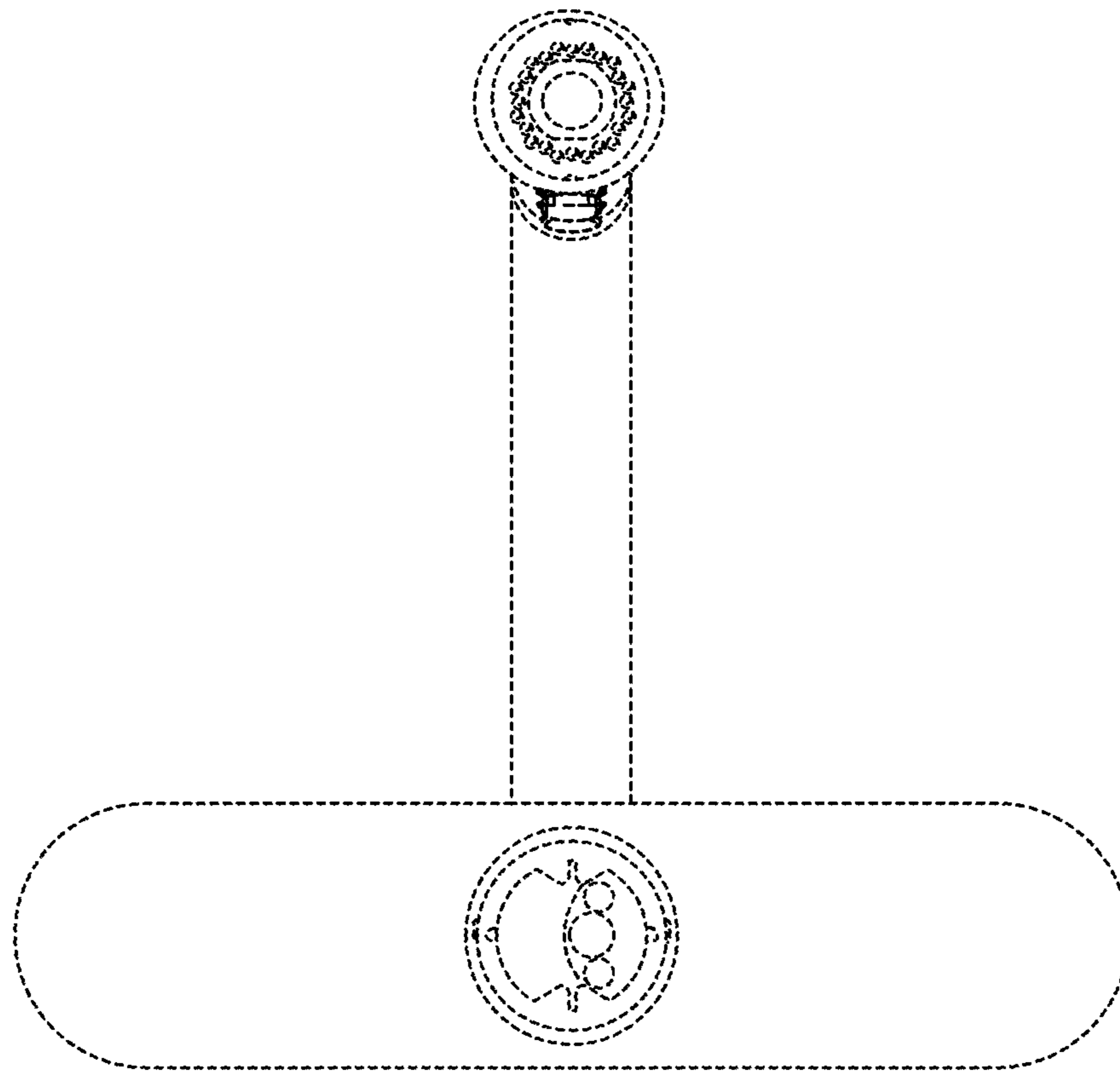


FIG. 7