



US00D698423S

(12) **United States Design Patent**
Schoenherr et al.

(10) **Patent No.:** **US D698,423 S**
(45) **Date of Patent:** **** Jan. 28, 2014**

(54) **FAUCET ASSEMBLY**

FOREIGN PATENT DOCUMENTS

- (71) Applicant: **Hansgrohe SE**, Schiltach (DE)
- (72) Inventors: **Tom Schoenherr**, Stuttgart (DE);
Andreas Diefenbach,
Ludwigsburg-Oßweil (DE)
- (73) Assignee: **Hansgrohe SE**, Schiltach (DE)
- (**) Term: **14 Years**
- (21) Appl. No.: **29/466,220**
- (22) Filed: **Sep. 5, 2013**

CN	302300787	1/2013
EM	002094656-0007	8/2012
EM	002094656-0011	8/2012

OTHER PUBLICATIONS

Brochure—Katalog/Preisliste—3 pgs., damixa, Iserlohn, Denmark, at least as early as Jan. 1999.

* cited by examiner

Primary Examiner — Robert Delehanty

(74) *Attorney, Agent, or Firm* — Lora J. Graentzdoerffer

(30) **Foreign Application Priority Data**

Mar. 6, 2013 (EM) 001363311-0005

(51) **LOC (10) Cl.** **23-01**

(52) **U.S. Cl.**
USPC **D23/241**

(58) **Field of Classification Search**
USPC D23/238–243, 250, 252, 255;
4/675–678; 137/801
See application file for complete search history.

(57) **CLAIM**

The ornamental design for a faucet assembly, as shown and described.

DESCRIPTION

FIG. 1 is a perspective view of a faucet assembly showing our design;
FIG. 2 is a front elevational view thereof;
FIG. 3 is a rear elevational view thereof;
FIG. 4 is a left side elevational view thereof;
FIG. 5 is a right side elevational view thereof;
FIG. 6 is a top plan view thereof; and,
FIG. 7 is a bottom plan view thereof.
The broken-line disclosure in the views represents portions of the article in which the claimed design is embodied, but which form no part of the claimed design.

(56) **References Cited**

U.S. PATENT DOCUMENTS

D314,041 S *	1/1991	Knapp	D23/241
D463,848 S	10/2002	Haug et al.		
D527,076 S	8/2006	Kolin et al.		
D576,707 S	9/2008	Schoenherr et al.		
D666,276 S *	8/2012	Fritz	D23/238
D690,394 S *	9/2013	Flowers et al.	D23/242

1 Claim, 7 Drawing Sheets

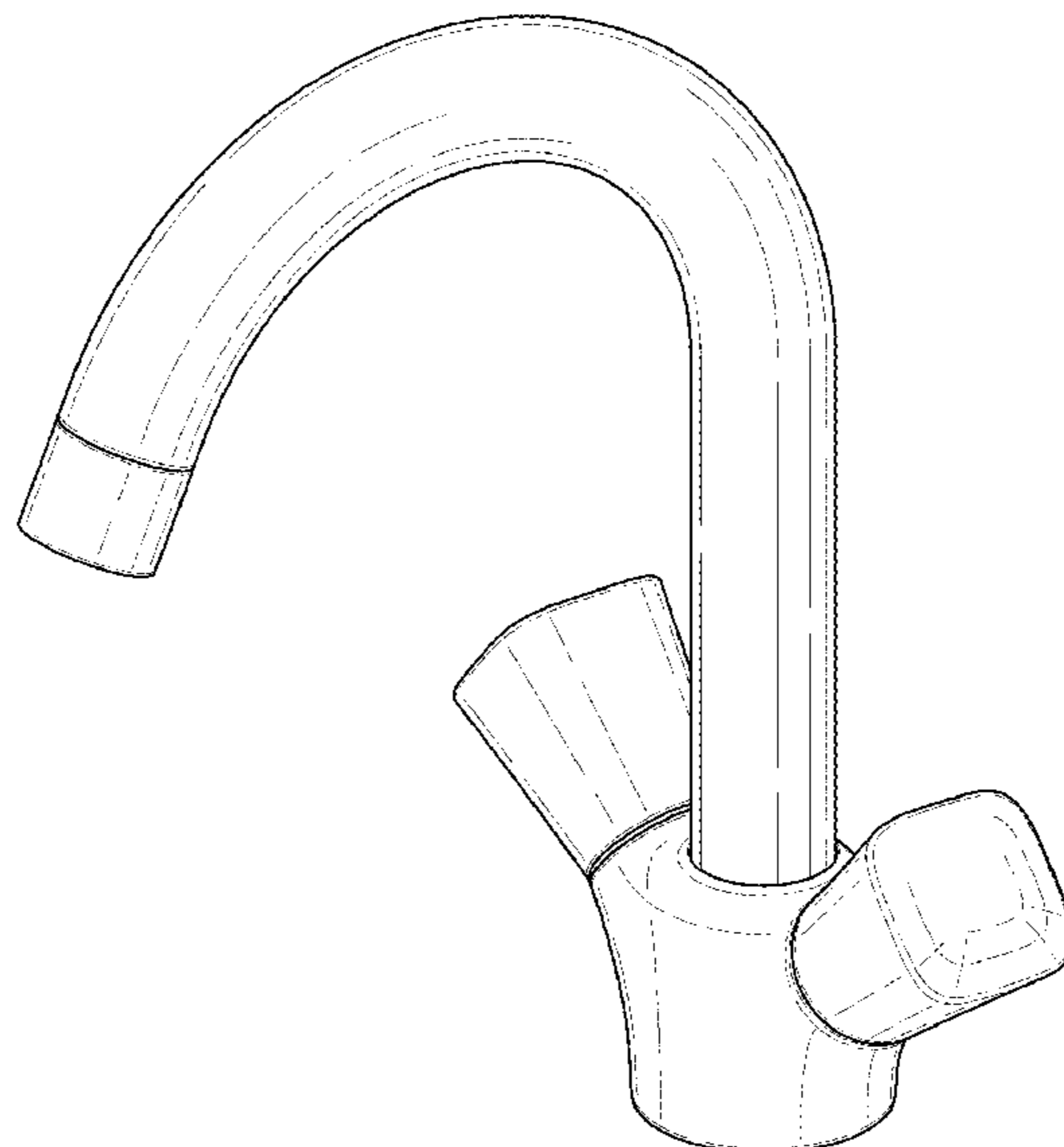


FIG. 1

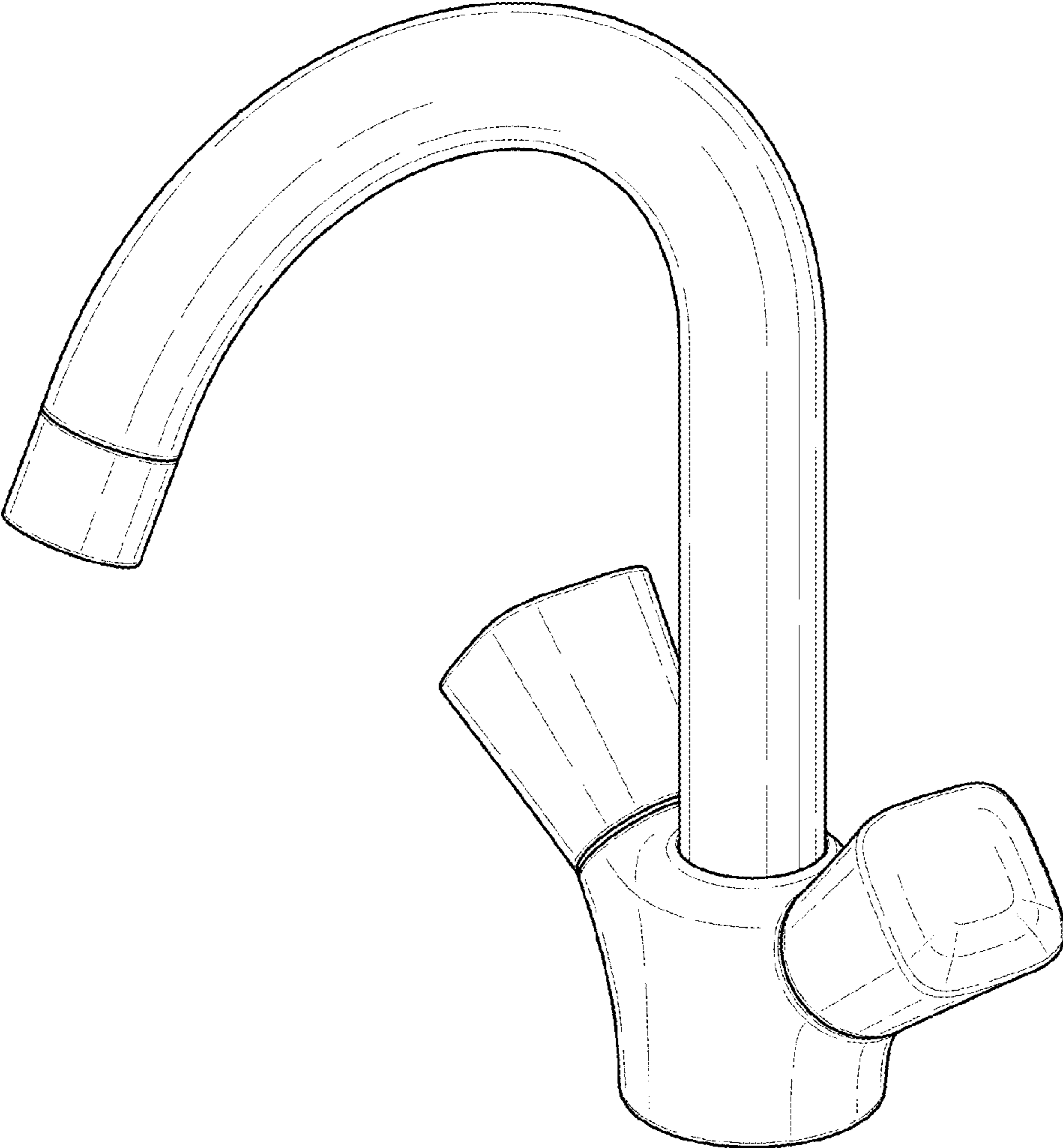


FIG. 2

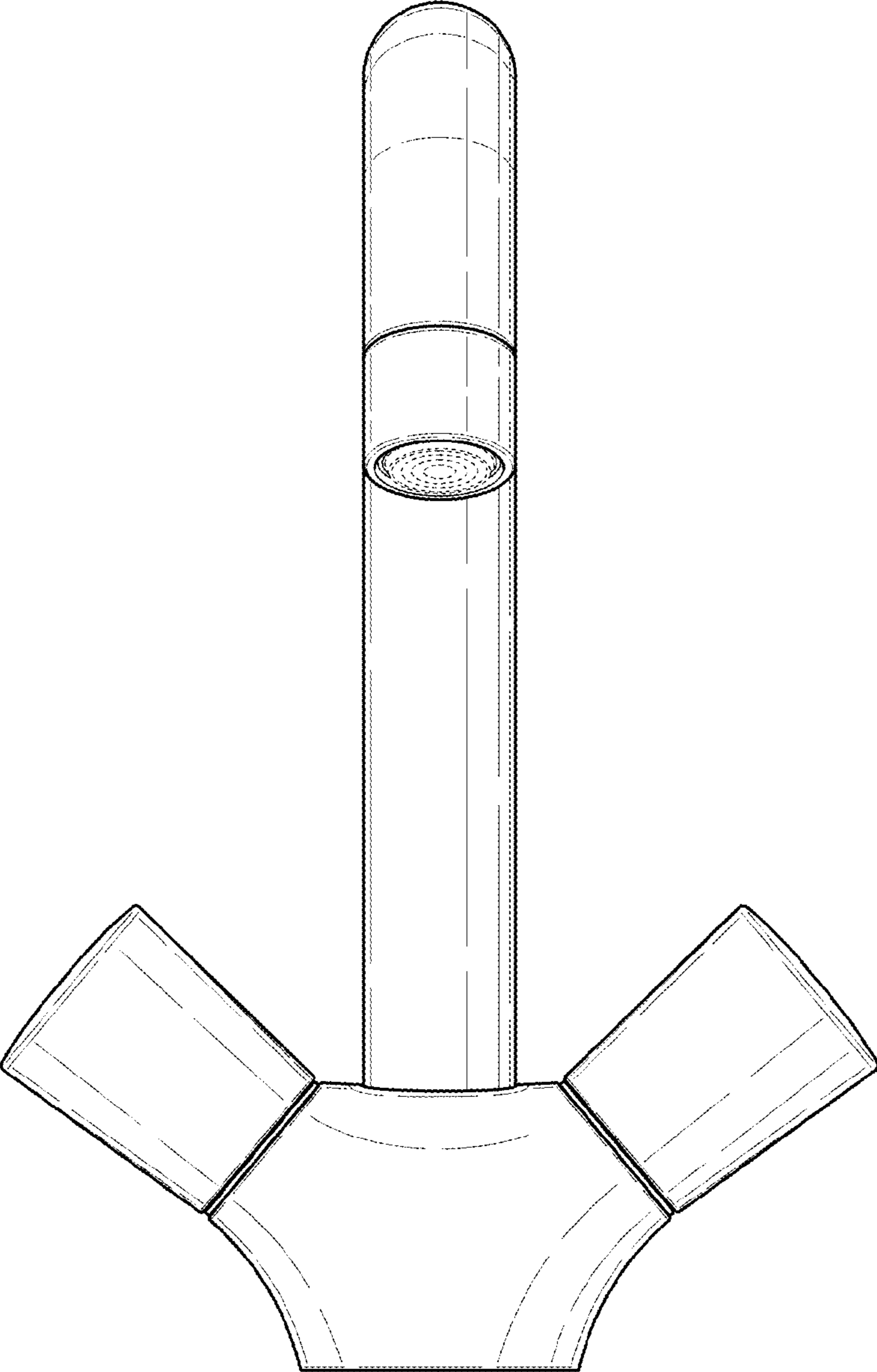


FIG. 3

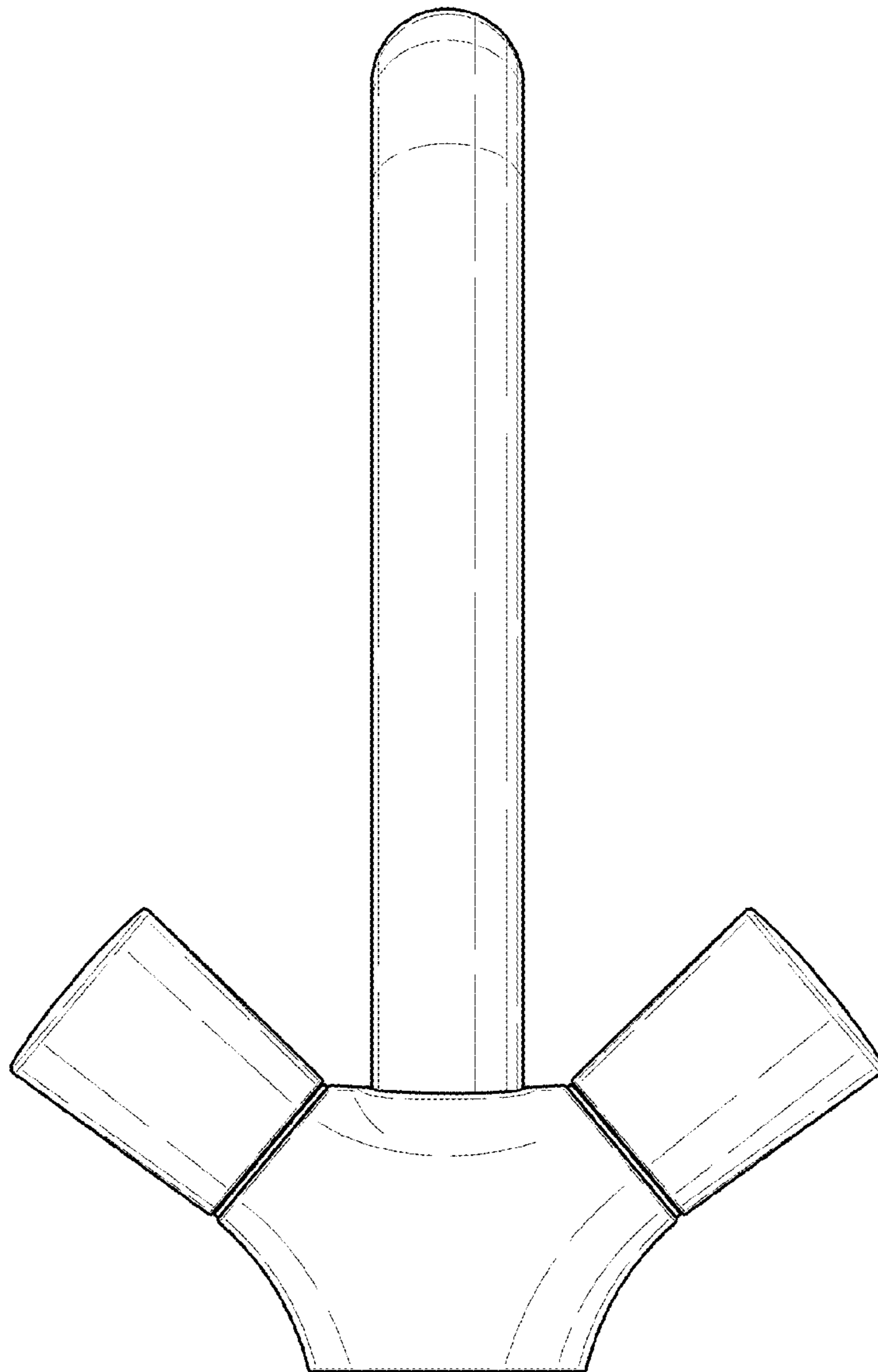


FIG. 4

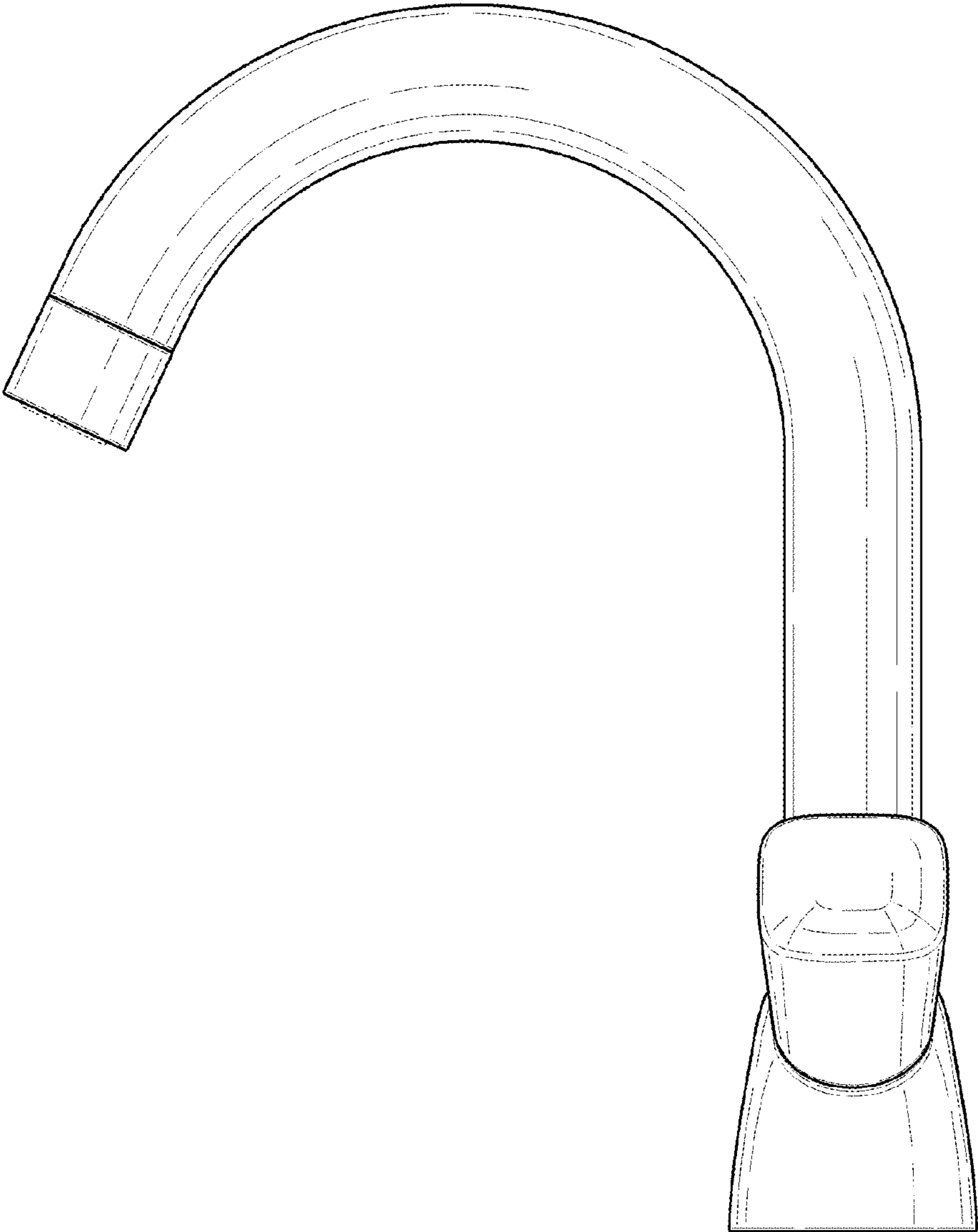


FIG. 5

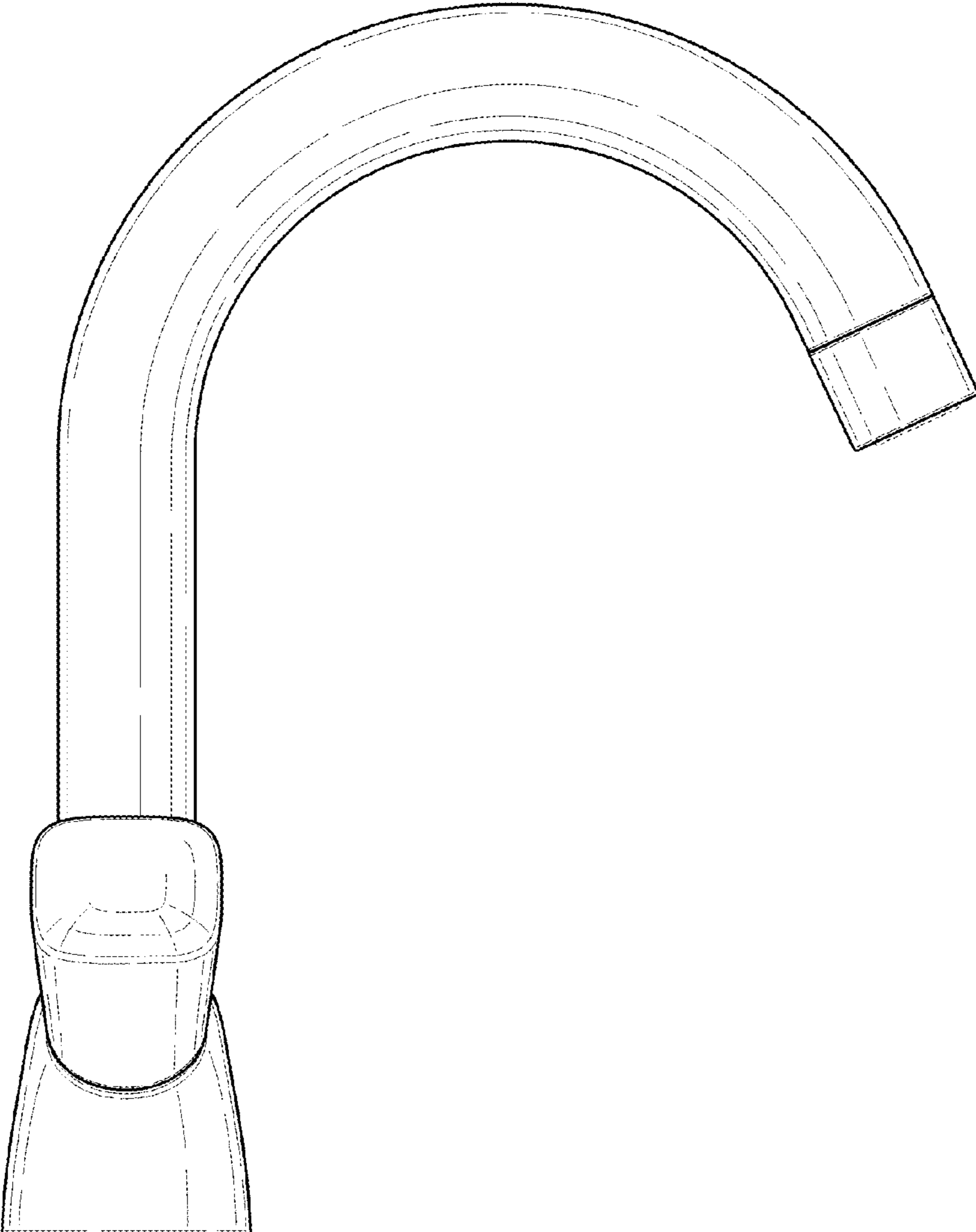


FIG. 6

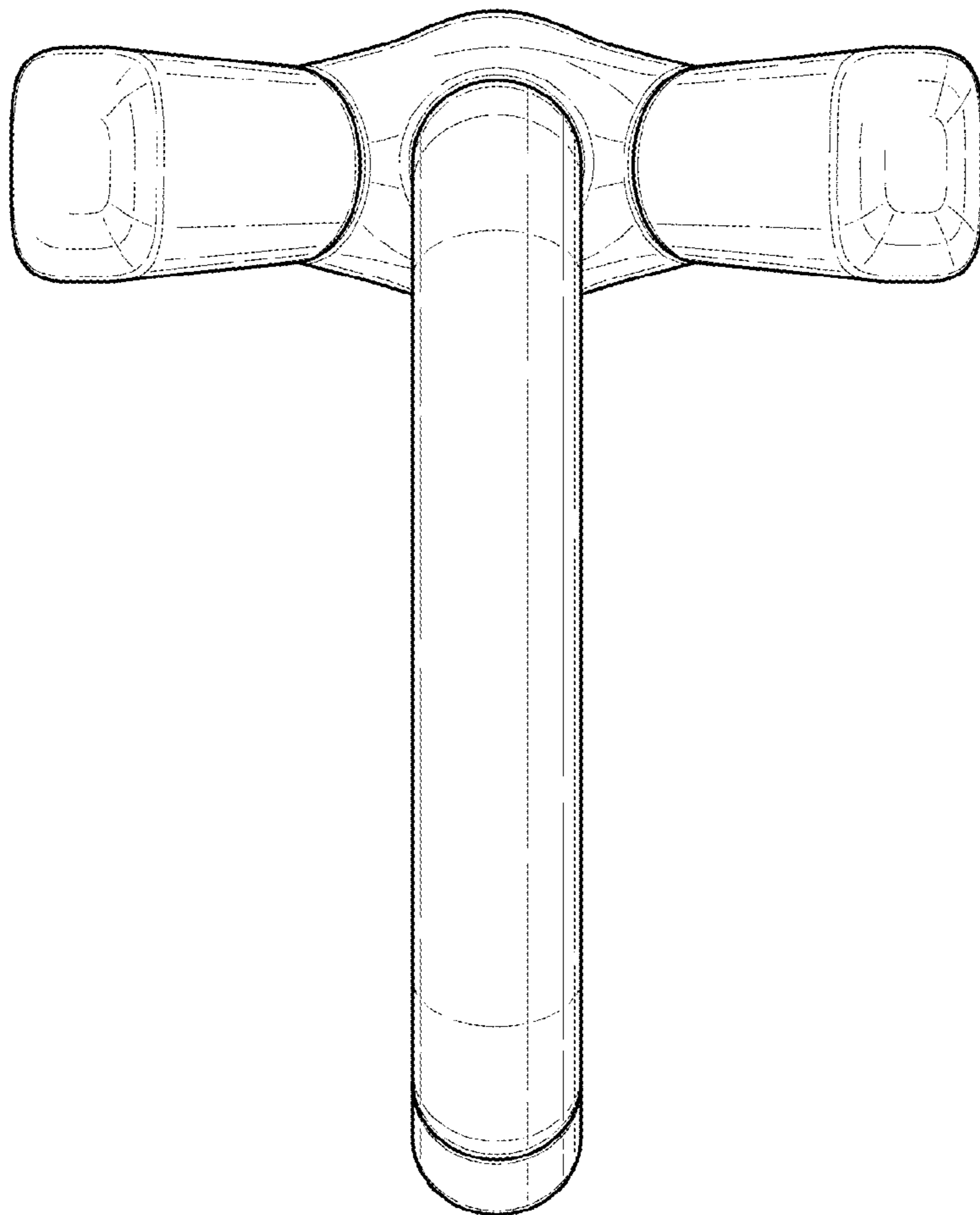


FIG. 7

