



US00D698422S

(12) **United States Design Patent**  
**Schoenherr et al.**

(10) **Patent No.:** **US D698,422 S**  
(45) **Date of Patent:** **\*\* Jan. 28, 2014**

(54) **FAUCET ASSEMBLY**

(71) Applicant: **Hansgrohe SE**, Schiltach (DE)  
(72) Inventors: **Tom Schoenherr**, Stuttgart (DE);  
**Andreas Diefenbach**,  
Ludwigsburg-Oßweil (DE)

(73) Assignee: **Hansgrohe SE**, Schiltach (DE)

(\*\*) Term: **14 Years**

(21) Appl. No.: **29/466,221**

(22) Filed: **Sep. 5, 2013**

(30) **Foreign Application Priority Data**

Mar. 6, 2013 (EM) ..... 001363311-0006

(51) **LOC (10) Cl.** ..... **23-01**

(52) **U.S. Cl.**

USPC ..... **D23/238**

(58) **Field of Classification Search**

USPC ..... D23/238-243, 250, 252, 255;  
4/675-678; 137/801

See application file for complete search history.

(56) **References Cited**

U.S. PATENT DOCUMENTS

D410,068 S \* 5/1999 Gottwald ..... D23/238  
D443,916 S \* 6/2001 Mullenmeister ..... D23/238  
D692,107 S \* 10/2013 Yu ..... D23/241

FOREIGN PATENT DOCUMENTS

EM 000863063-0007 1/2008  
EM 002036111-0008 5/2012  
EM 002170852-0005 1/2013

\* cited by examiner

*Primary Examiner* — Robert Delehanty

(74) *Attorney, Agent, or Firm* — Lora J. Graentzdoerffer

(57) **CLAIM**

The ornamental design for a faucet assembly, as shown and described.

**DESCRIPTION**

FIG. 1 is a perspective view of a faucet assembly showing our design;

FIG. 2 is a front elevational view thereof;

FIG. 3 is a rear elevational view thereof;

FIG. 4 is a left side elevational view thereof;

FIG. 5 is a right side elevational view thereof;

FIG. 6 is a top plan view thereof; and,

FIG. 7 is a bottom plan view thereof.

The broken-line disclosure in the views represents portions of the article in which the claimed design is embodied, but which form no part of the claimed design.

**1 Claim, 7 Drawing Sheets**

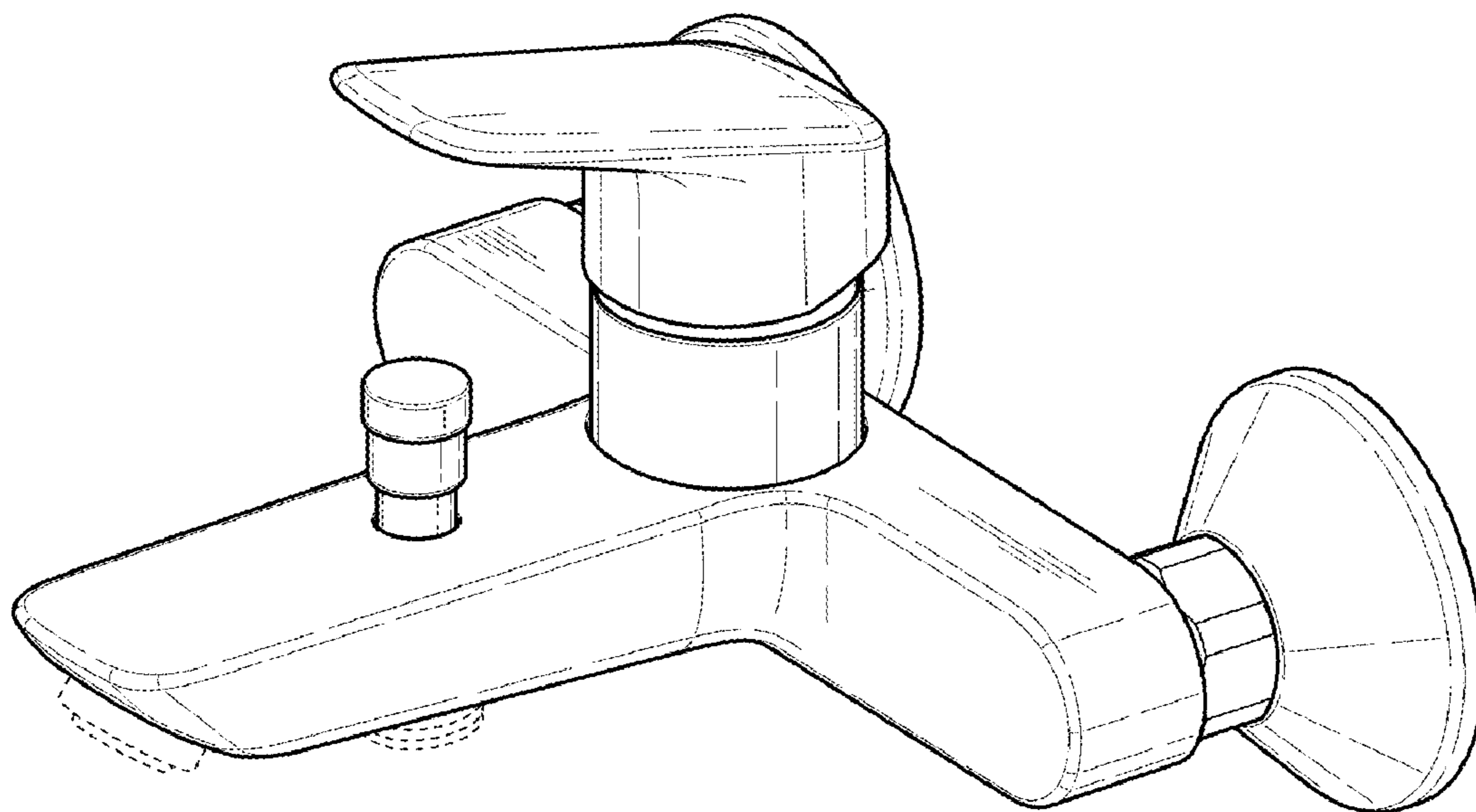


FIG. 1

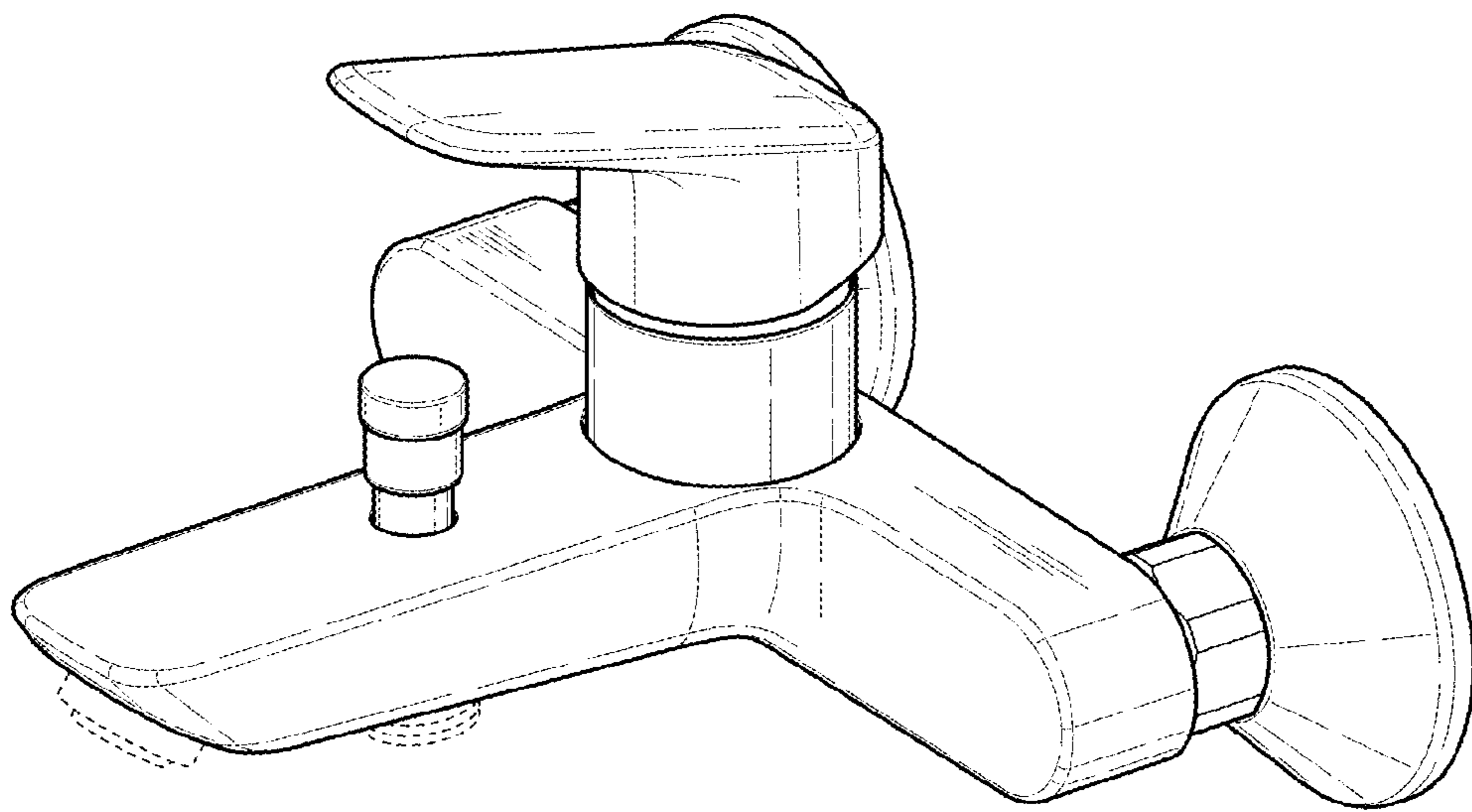


FIG. 2

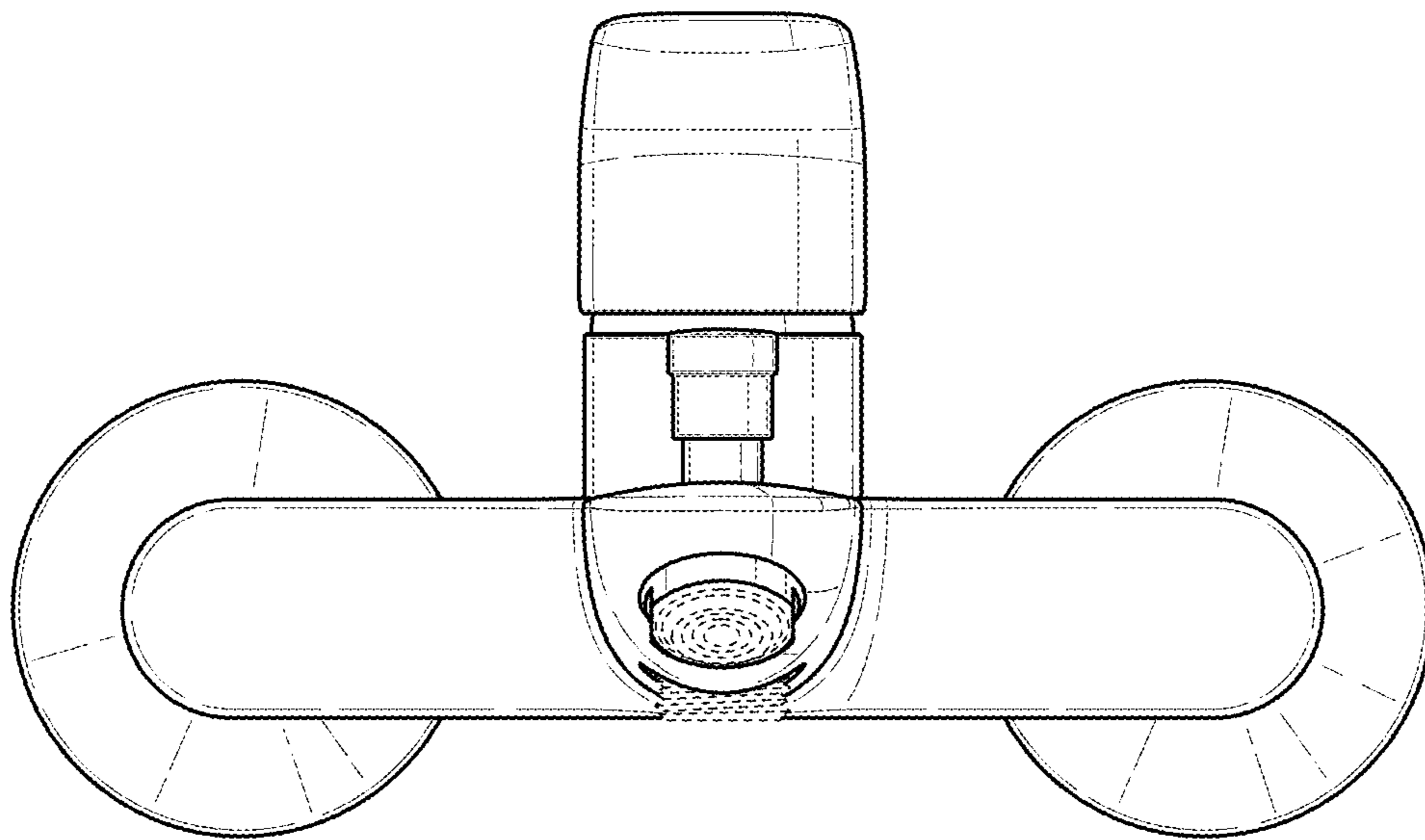


FIG. 3

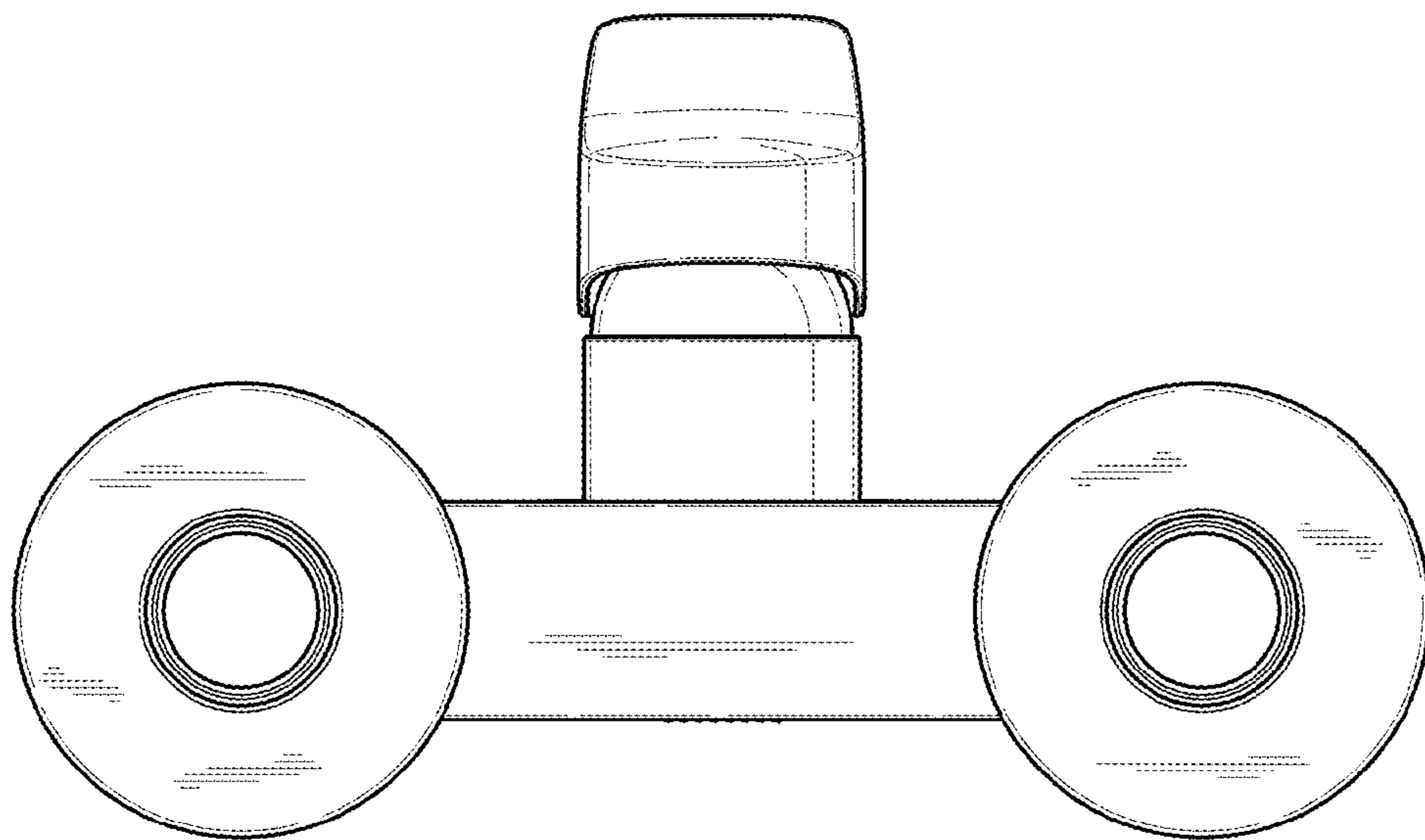


FIG. 4

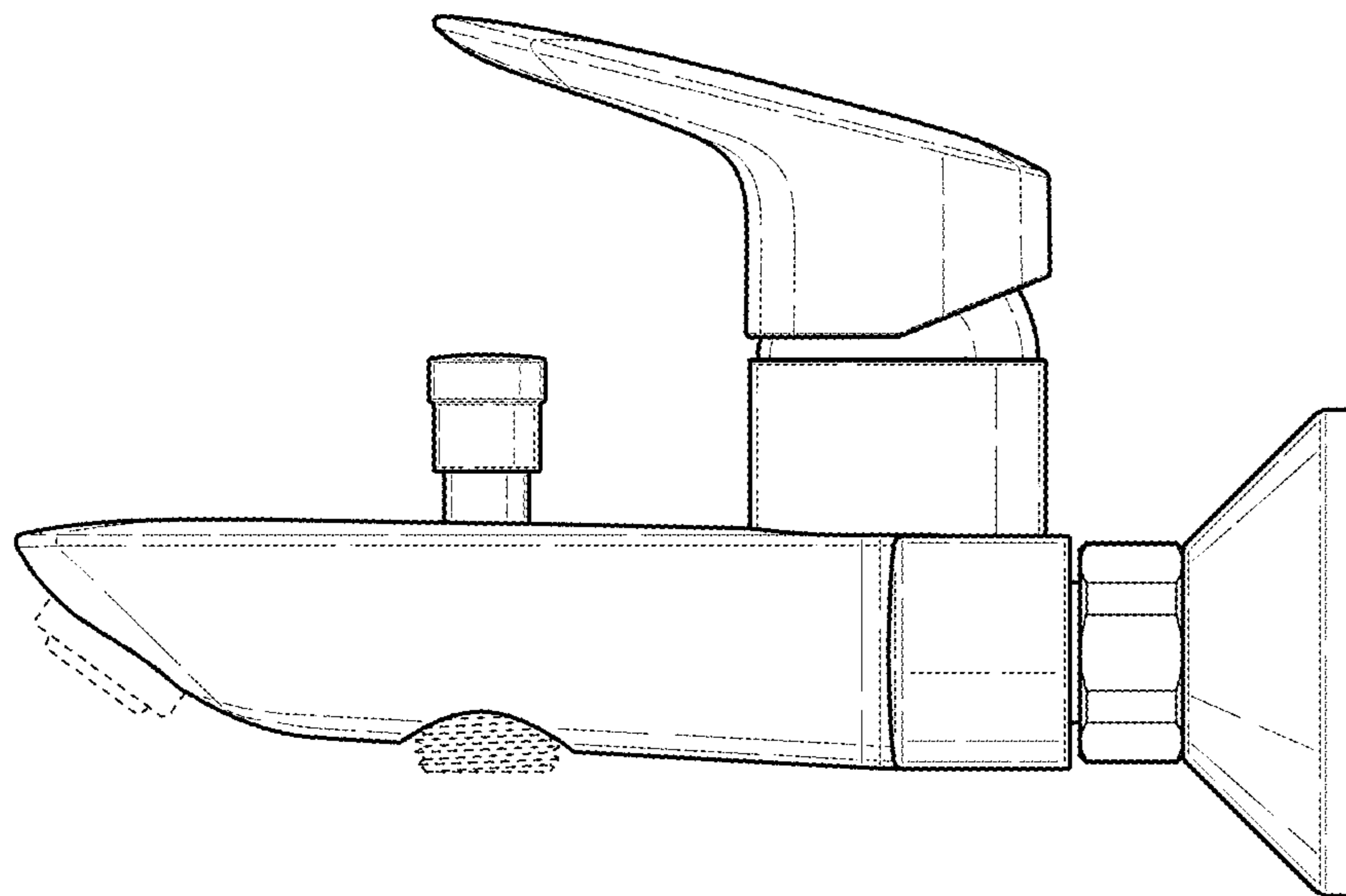


FIG. 5

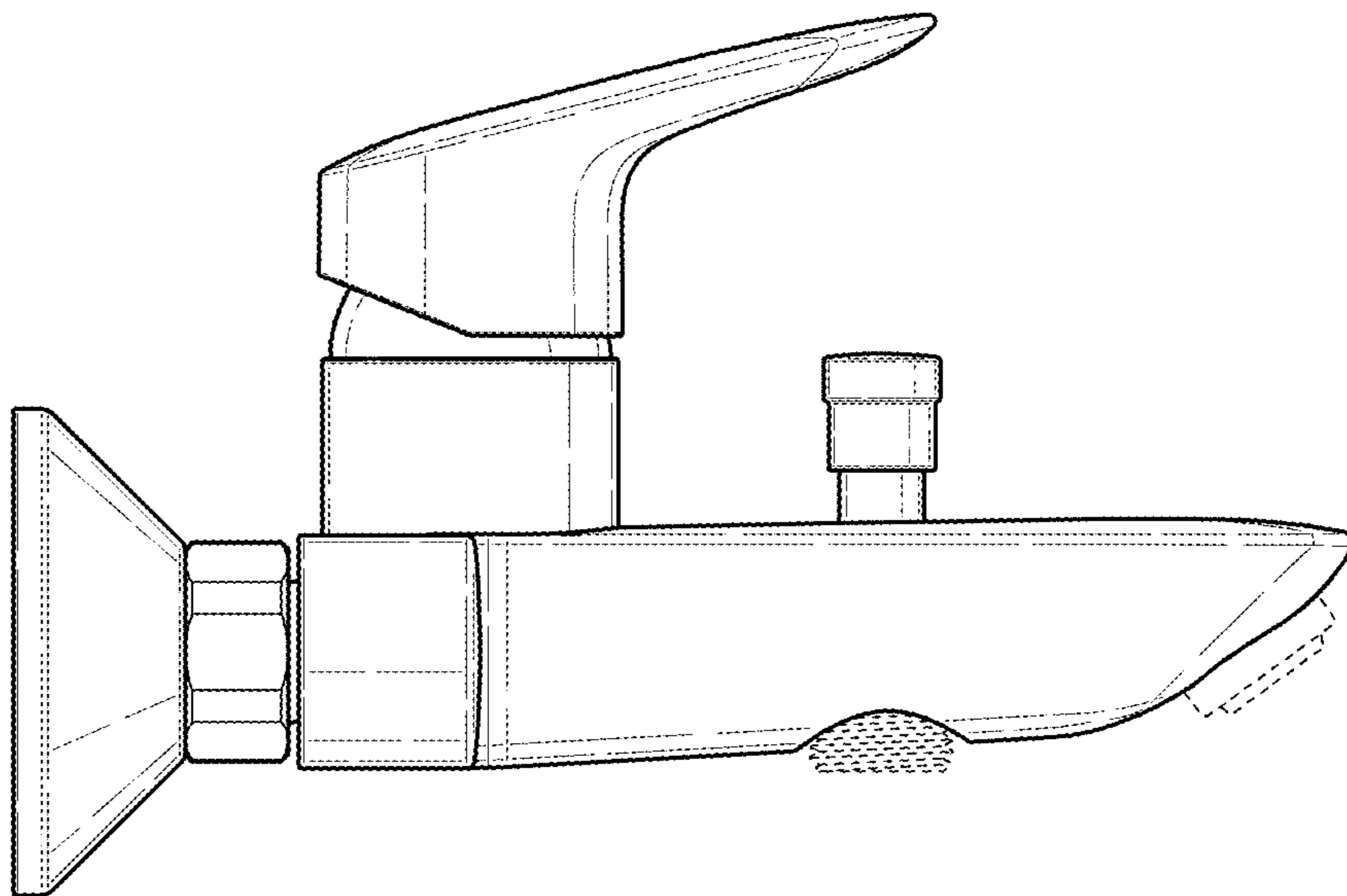


FIG. 6

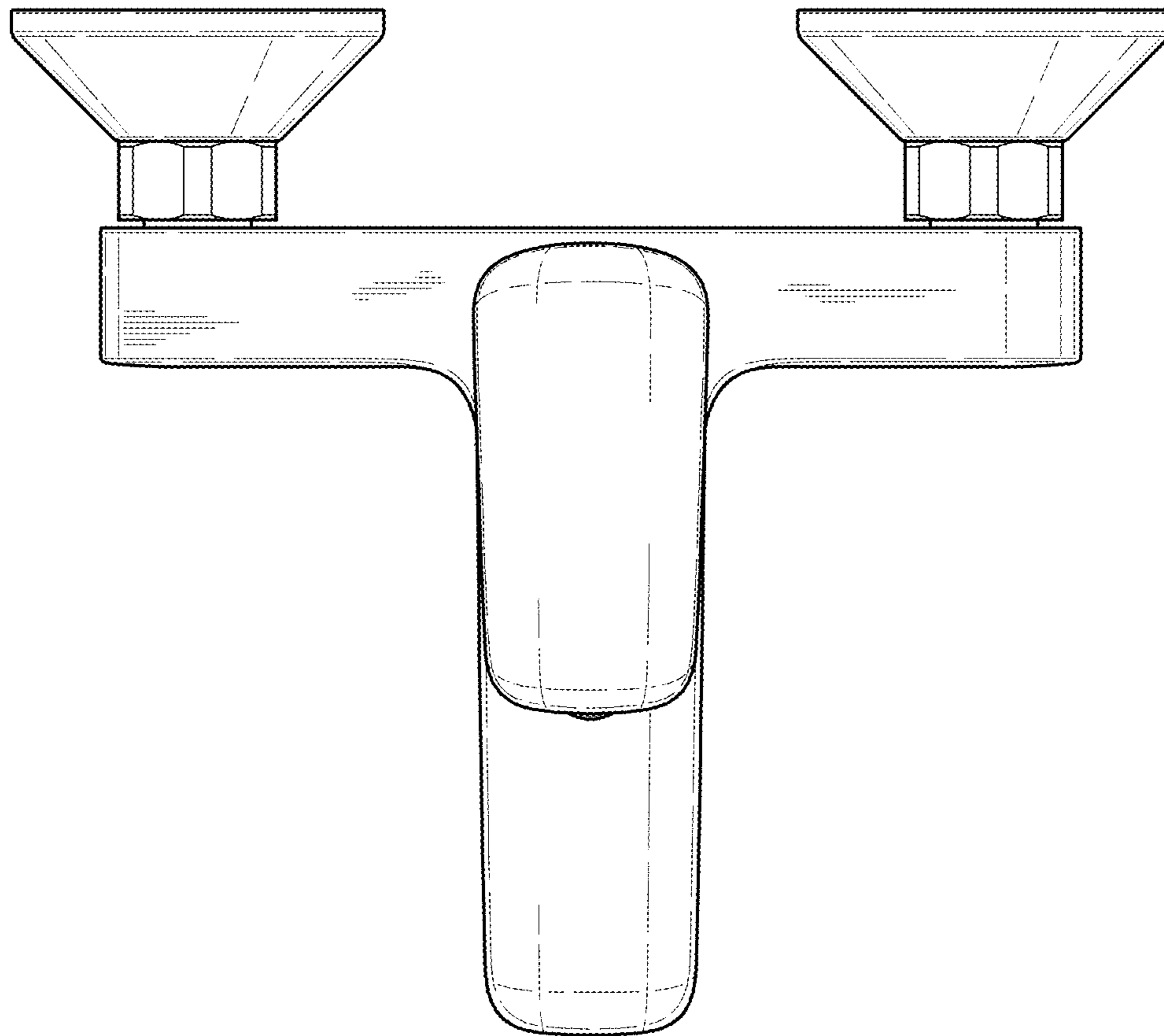


FIG. 7

