



US00D698421S

(12) **United States Design Patent**
Schoenherr et al.

(10) **Patent No.:** **US D698,421 S**
(45) **Date of Patent:** **** Jan. 28, 2014**

(54) **FAUCET**
(71) Applicant: **Hansgrohe SE**, Schiltach (DE)
(72) Inventors: **Tom Schoenherr**, Stuttgart (DE);
Andreas Diefenbach,
Ludwigsburg-Oßweil (DE)
(73) Assignee: **Hansgrohe SE**, Schiltach (DE)
(**) Term: **14 Years**
(21) Appl. No.: **29/466,218**
(22) Filed: **Sep. 5, 2013**
(30) **Foreign Application Priority Data**

Mar. 6, 2013 (EM) 001363311-0002

(51) **LOC (10) Cl.** **23-01**
(52) **U.S. Cl.**
USPC **D23/238**
(58) **Field of Classification Search**
USPC D23/238-243, 250, 252, 255;
4/675-678; 137/801
See application file for complete search history.

(56) **References Cited**
U.S. PATENT DOCUMENTS
D582,008 S 12/2008 Citterio
D607,975 S 1/2010 Schoenherr et al.

D635,649 S 4/2011 Schoenherr et al.
D638,102 S * 5/2011 Obara et al. D23/238
D667,533 S * 9/2012 Lammel et al. D23/238

FOREIGN PATENT DOCUMENTS

EM 000273586-0006 12/2004
EM 000446703-0001 9/2005
EM 001336481-0096 7/2012

* cited by examiner

Primary Examiner — Robert Delehanty

(74) *Attorney, Agent, or Firm* — Lora J. Graentzdoerffer

(57) **CLAIM**

The ornamental design for a faucet, as shown and described.

DESCRIPTION

FIG. 1 is a perspective view of a faucet showing our design;
FIG. 2 is a front elevational view thereof;
FIG. 3 is a rear elevational view thereof;
FIG. 4 is a left side elevational view thereof;
FIG. 5 is a right side elevational view thereof;
FIG. 6 is a top plan view thereof; and,
FIG. 7 is a bottom plan view thereof.
The broken-line disclosure in the views represents portions of
the article in which the claimed design is embodied, but which
form no part of the claimed design.

1 Claim, 7 Drawing Sheets

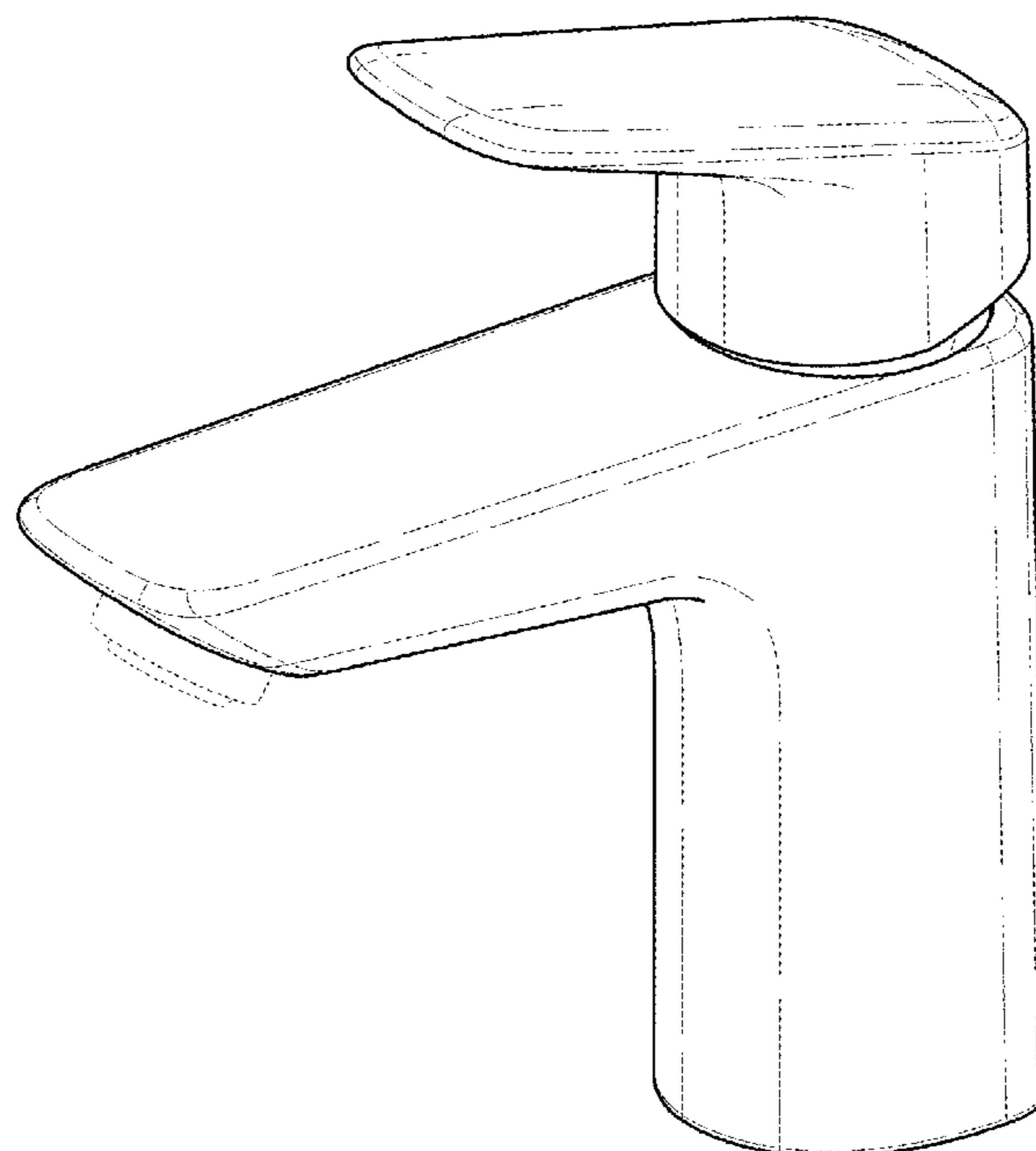


FIG. 1

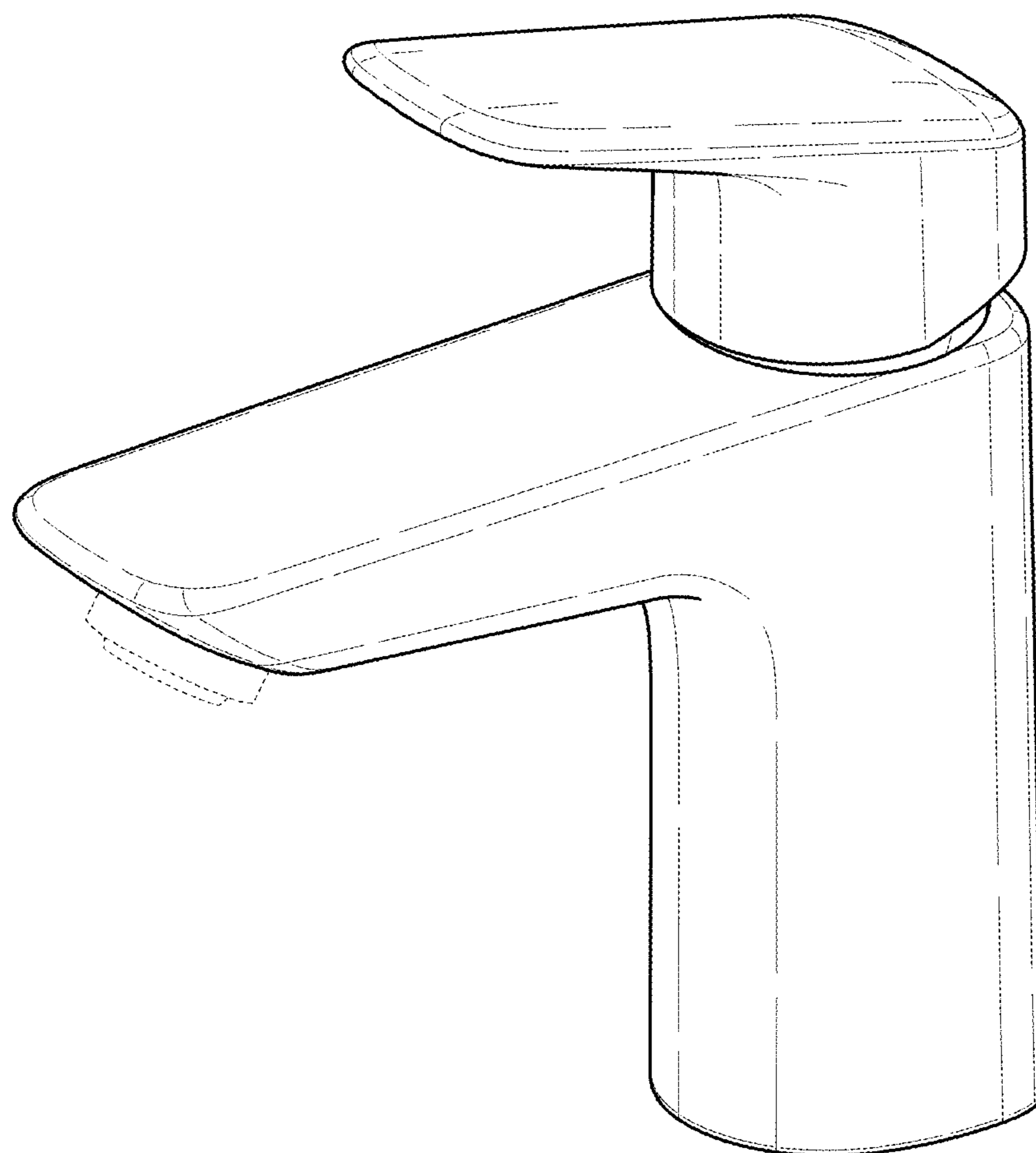


FIG. 2

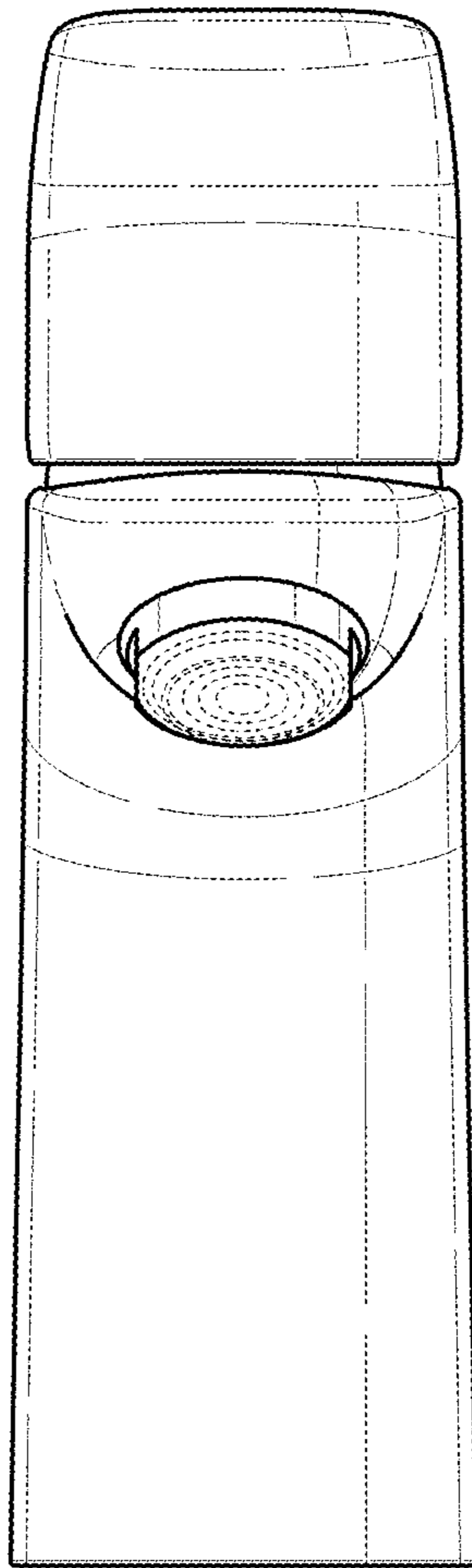


FIG. 3

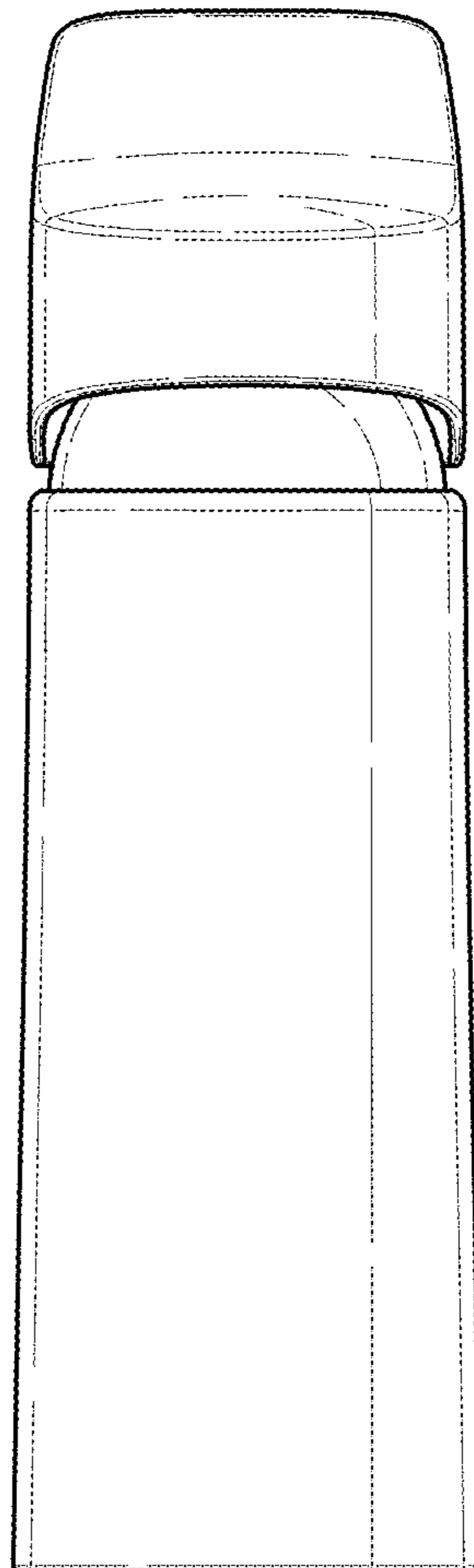


FIG. 4

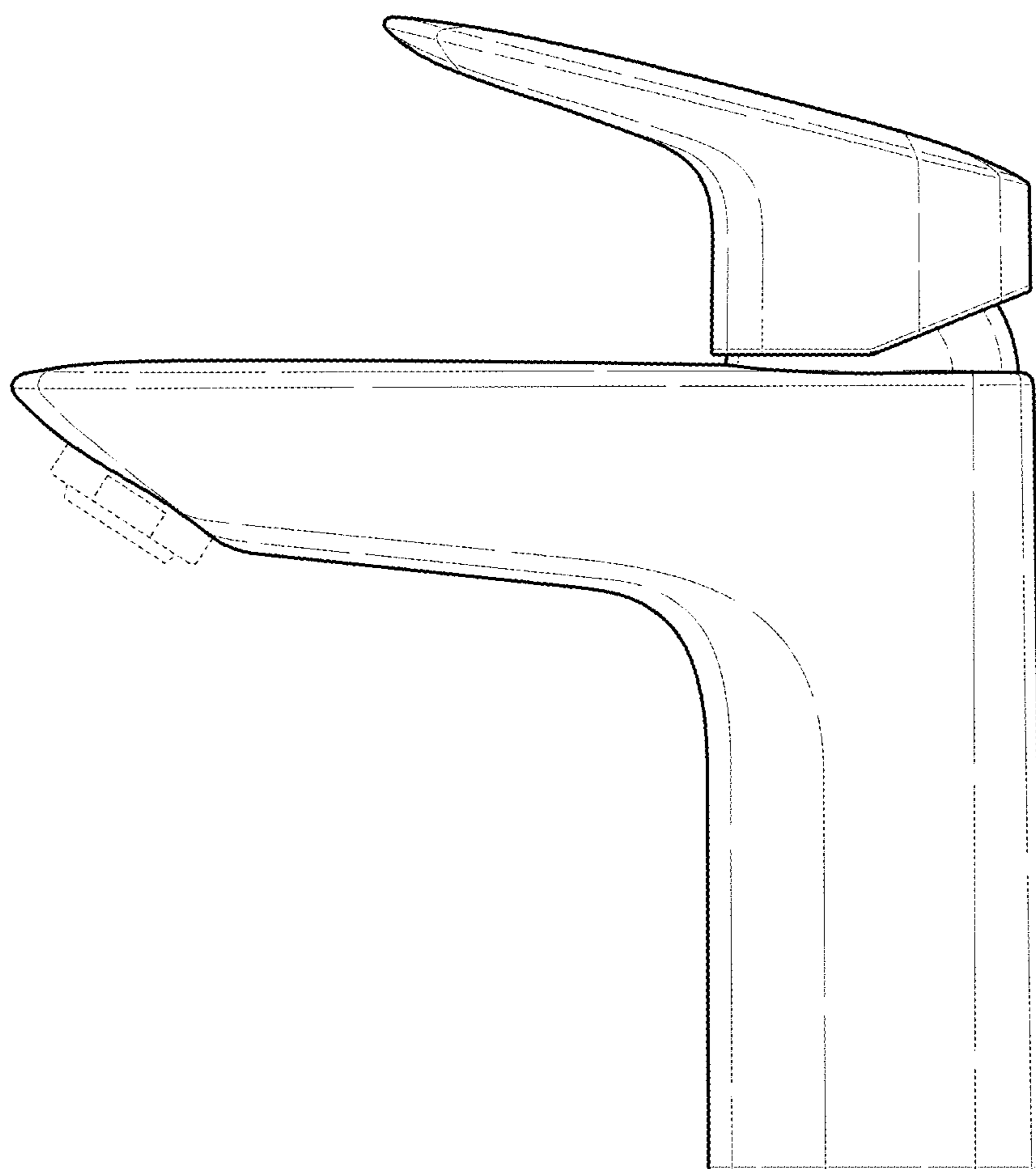


FIG. 5

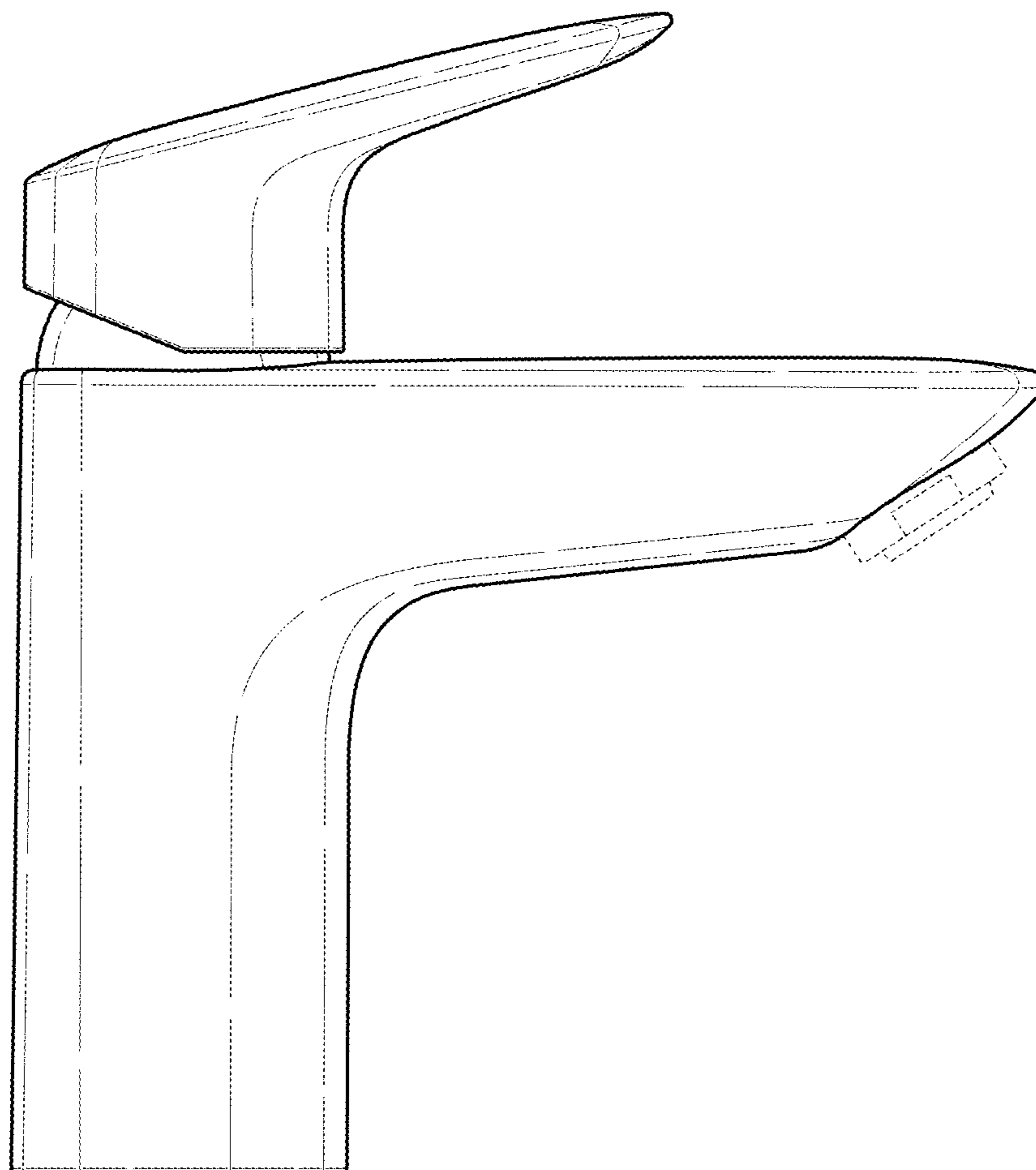


FIG. 6

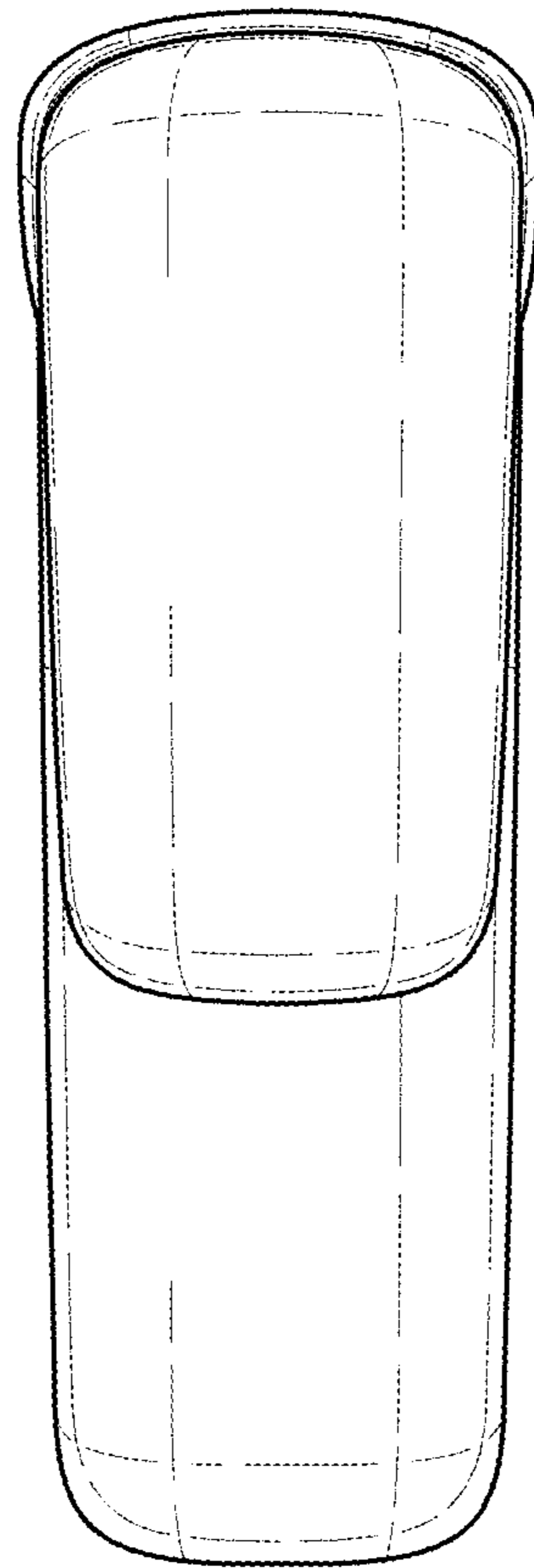


FIG. 7

