



US00D698420S

(12) **United States Design Patent**
Hahn et al.

(10) **Patent No.:** **US D698,420 S**
(45) **Date of Patent:** **** Jan. 28, 2014**

(54) **FAUCET**

(71) Applicant: **Kohler France SAS**, St. Denis cedex (FR)

(72) Inventors: **Mathias Hahn**, London (GB); **Paolo Grazioli**, Cassina de Pecchi (IT); **Anael Tasserit**, Trigny (FR)

(73) Assignee: **Kohler Co.**, Kohler, WI (US)

(**) Term: **14 Years**

(21) Appl. No.: **29/462,631**

(22) Filed: **Aug. 6, 2013**

Related U.S. Application Data

(60) Division of application No. 29/413,826, filed on Feb. 21, 2012, which is a continuation of application No. 29/397,068, filed on Jul. 11, 2011, now abandoned.

Foreign Application Priority Data

Jan. 14, 2011 (EP) 001805938

(51) **LOC (10) Cl.** **23-01**

(52) **U.S. Cl.**
USPC **D23/238**

(58) **Field of Classification Search**
USPC D23/255, 257, 238-243, 266; 4/678;
137/801
See application file for complete search history.

(56) **References Cited**

U.S. PATENT DOCUMENTS

1,454,280 A 5/1923 Henrikson
1,982,538 A 11/1934 Reedy

2,183,271 A 12/1939 Wendel
2,261,056 A 10/1941 Dunn
2,282,073 A 5/1942 McDonald
2,383,235 A 8/1945 Brown
2,874,001 A 2/1959 Webb
RE26,889 E 5/1970 Hindman
4,145,004 A 3/1979 Krizik
4,272,022 A 6/1981 Evans
4,754,928 A 7/1988 Rogers et al.
4,821,960 A 4/1989 Goldman
D326,505 S 5/1992 Kohler, Jr. et al.
5,213,267 A 5/1993 Heimann et al.

(Continued)

FOREIGN PATENT DOCUMENTS

EP 0 443 538 8/1991
EP 0 484 308 5/1992

(Continued)

Primary Examiner — Eric Goodman

(74) *Attorney, Agent, or Firm* — Foley & Lardner LLP

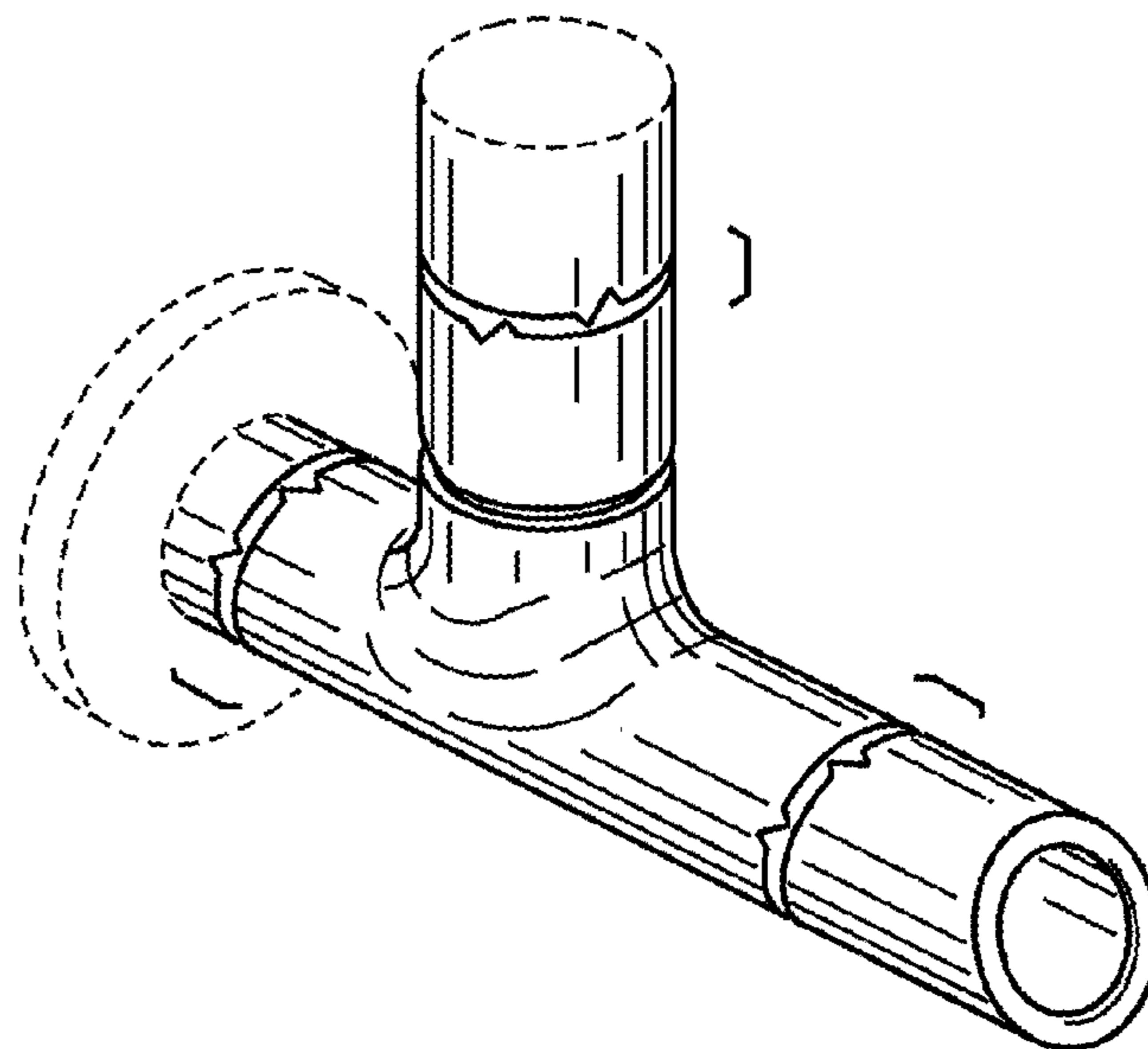
(57) **CLAIM**

We claim the ornamental design for a faucet, as shown and described.

DESCRIPTION

FIG. 1 is a top perspective view of a faucet according to an exemplary embodiment;
FIG. 2 is a left-side elevation view of the faucet of FIG. 1;
FIG. 3 is a top plan view of the faucet of FIG. 1;
FIG. 4 is a bottom plan view of the faucet of FIG. 1;
FIG. 5 is a front elevation view of the faucet of FIG. 1; and,
FIG. 6 is a rear elevation view of the faucet of FIG. 1.
The claimed design is shown broken away to indicate that a particular length of faucet forms no part of the claimed design.

1 Claim, 2 Drawing Sheets



(56)

References Cited

U.S. PATENT DOCUMENTS

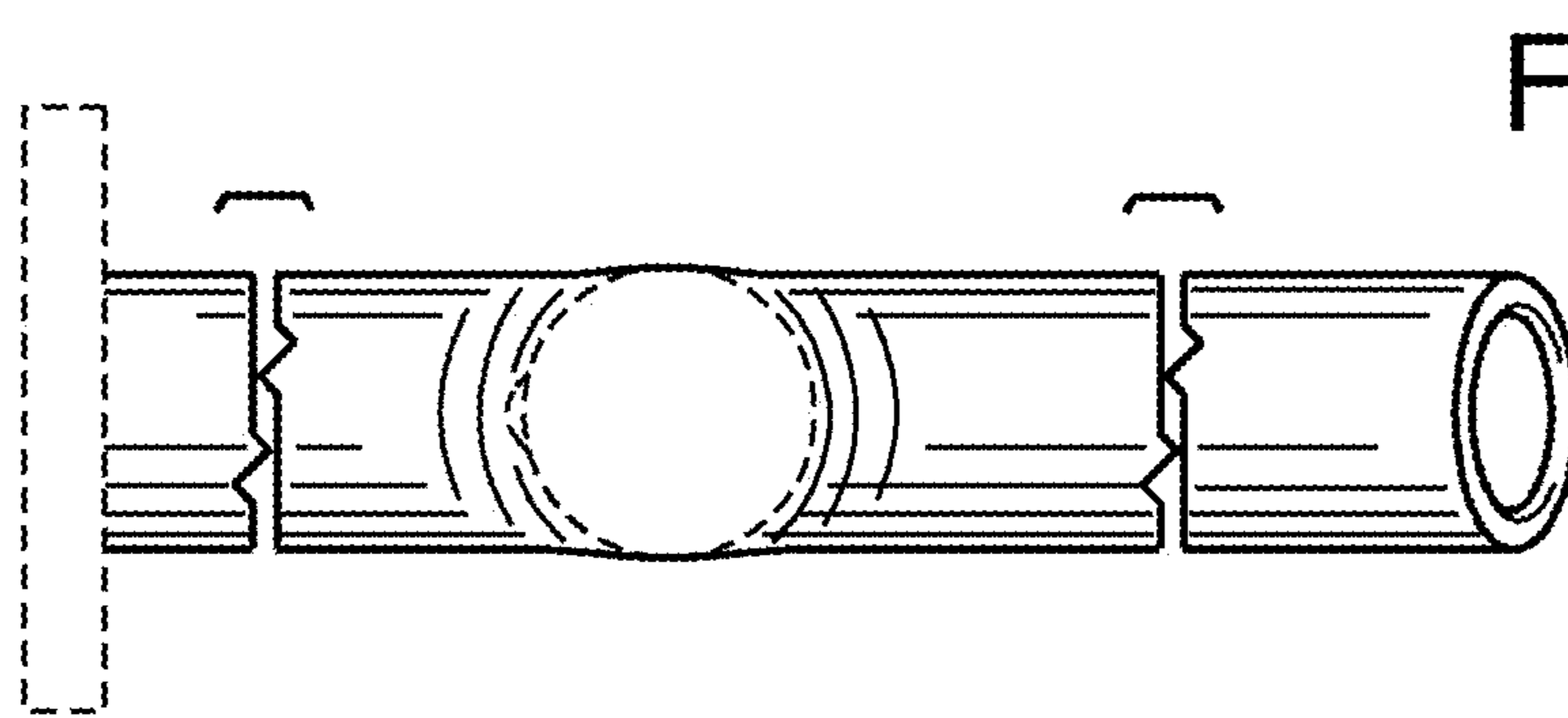
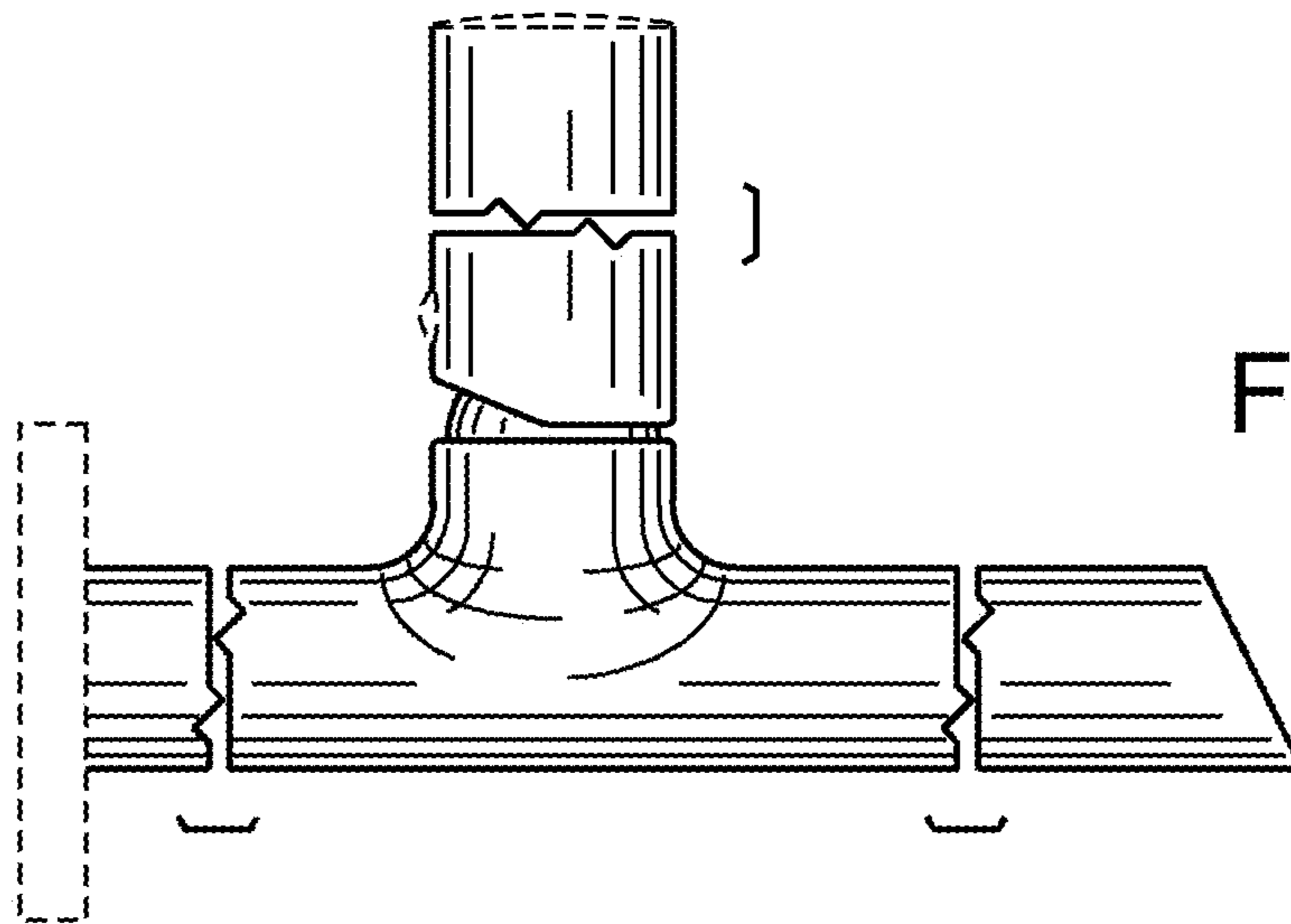
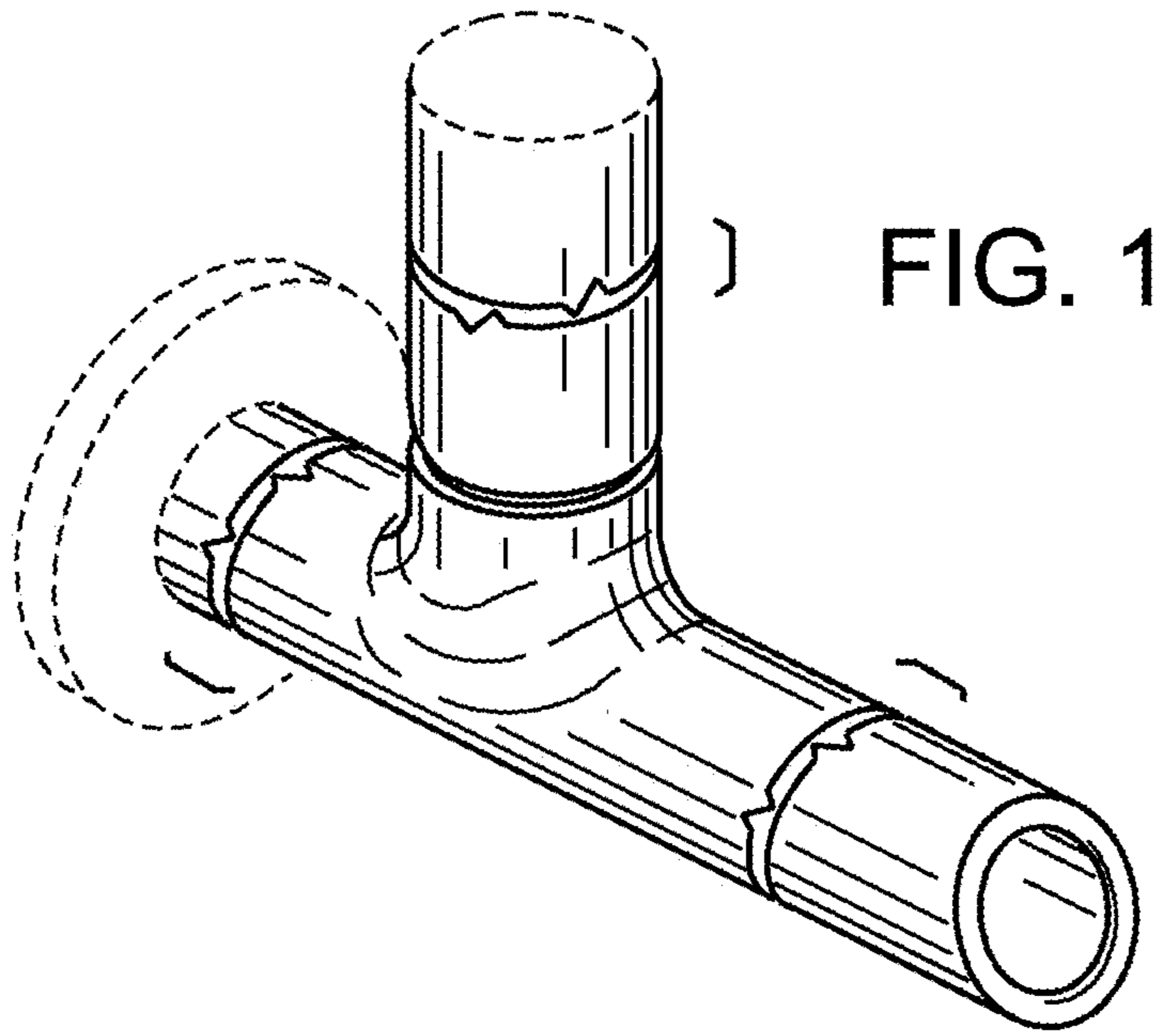
5,228,625 A 7/1993 Grassberger
 D341,647 S 11/1993 Bengtson
 5,356,078 A 10/1994 Bischoff
 5,381,957 A 1/1995 Bianco
 D364,449 S 11/1995 Ellenberger
 5,779,146 A 7/1998 Cutler
 D405,430 S 2/1999 Matsushima
 5,992,762 A 11/1999 Wang
 6,021,960 A 2/2000 Kehat
 6,098,899 A 8/2000 Rosenberg
 6,113,002 A 9/2000 Finkbeiner
 D440,637 S 4/2001 Lefroy-Brooks
 D441,060 S 4/2001 Lefroy-Brooks
 6,250,572 B1 6/2001 Chen
 D450,814 S 11/2001 Aldred et al.
 6,382,531 B1 5/2002 Tracy
 D461,545 S 8/2002 Nishio
 D469,157 S 1/2003 Lobermeier
 D480,454 S 10/2003 Filer
 6,641,057 B2 11/2003 Thomas et al.
 6,739,527 B1 5/2004 Chung
 6,776,357 B1 8/2004 Naito
 D510,126 S 9/2005 Ouyoung
 6,951,227 B1 10/2005 Su
 D511,370 S 11/2005 Kennard
 D517,647 S 3/2006 Kulig
 D518,871 S 4/2006 Gillette et al.
 D520,119 S 5/2006 Kulig
 7,111,798 B2 9/2006 Thomas et al.
 7,178,746 B2 2/2007 Gross
 7,246,760 B2 7/2007 Marty et al.
 D559,956 S 1/2008 Heck et al.
 7,347,388 B2 3/2008 Chung
 7,364,097 B2 4/2008 Okuma
 D576,707 S 9/2008 Schonherr et al.
 D584,383 S 1/2009 Eilmus
 D591,398 S 4/2009 Lammel et al.
 D591,407 S 4/2009 Youssef et al.
 7,537,175 B2 5/2009 Miura et al.
 D603,941 S 11/2009 Leelaprachakul
 7,721,979 B2 5/2010 Mazzola
 D620,557 S 7/2010 Eilmus

7,761,937 B2 7/2010 Foutz et al.
 D635,647 S 4/2011 Montgomery et al.
 D646,760 S 10/2011 Slothower et al.
 D651,288 S 12/2011 Slothower et al.
 D653,731 S 2/2012 Bailey
 D683,437 S 5/2013 Newson
 D684,666 S * 6/2013 Lord D23/238
 D686,702 S * 7/2013 Eilmus D23/243
 2003/0062426 A1 4/2003 Gregory et al.
 2005/0001072 A1 1/2005 Bolus et al.
 2005/0229989 A1 10/2005 Su
 2006/0163391 A1 7/2006 Schorn
 2007/0200013 A1 8/2007 Hsiao
 2007/0246577 A1 10/2007 Leber
 2007/0252021 A1 11/2007 Cristina
 2009/0127353 A1 5/2009 Meisner et al.
 2009/0200404 A1 8/2009 Cristina
 2009/0218420 A1 9/2009 Mazzola
 2010/0019067 A1 1/2010 Okuma
 2010/0038454 A1 2/2010 Shieh
 2010/0264238 A1 10/2010 Wang et al.
 2013/0186496 A1 * 7/2013 Hsu 137/801

FOREIGN PATENT DOCUMENTS

EP 0 514 752 11/1992
 EP 0514 751 11/1992
 EP 0 591 877 4/1994
 EP 0 894 536 2/1999
 EP 0 986 678 3/2000
 EP 1 123 742 8/2001
 EP 1 243 707 9/2002
 EP 1 290 967 3/2003
 EP 1 308 565 5/2003
 EP 1 405 955 4/2004
 EP 1 707 694 10/2006
 EP 2 095 878 9/2009
 EP 2 223 676 9/2010
 EP 2 226 054 9/2010
 WO WO 01/54822 8/2001
 WO WO 2007/120422 10/2007
 WO WO 2009/058208 5/2009
 WO WO 2010/036241 4/2010

* cited by examiner



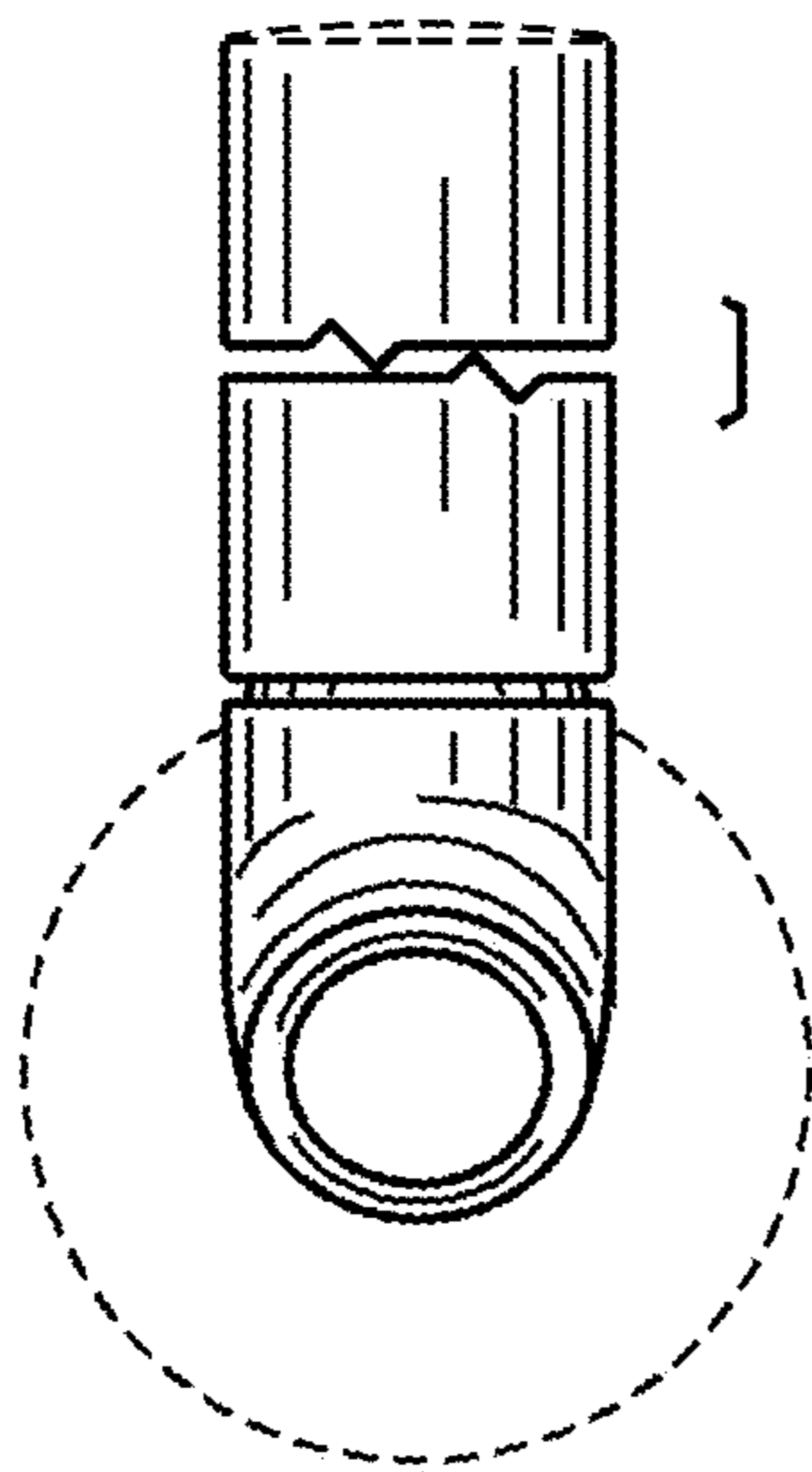
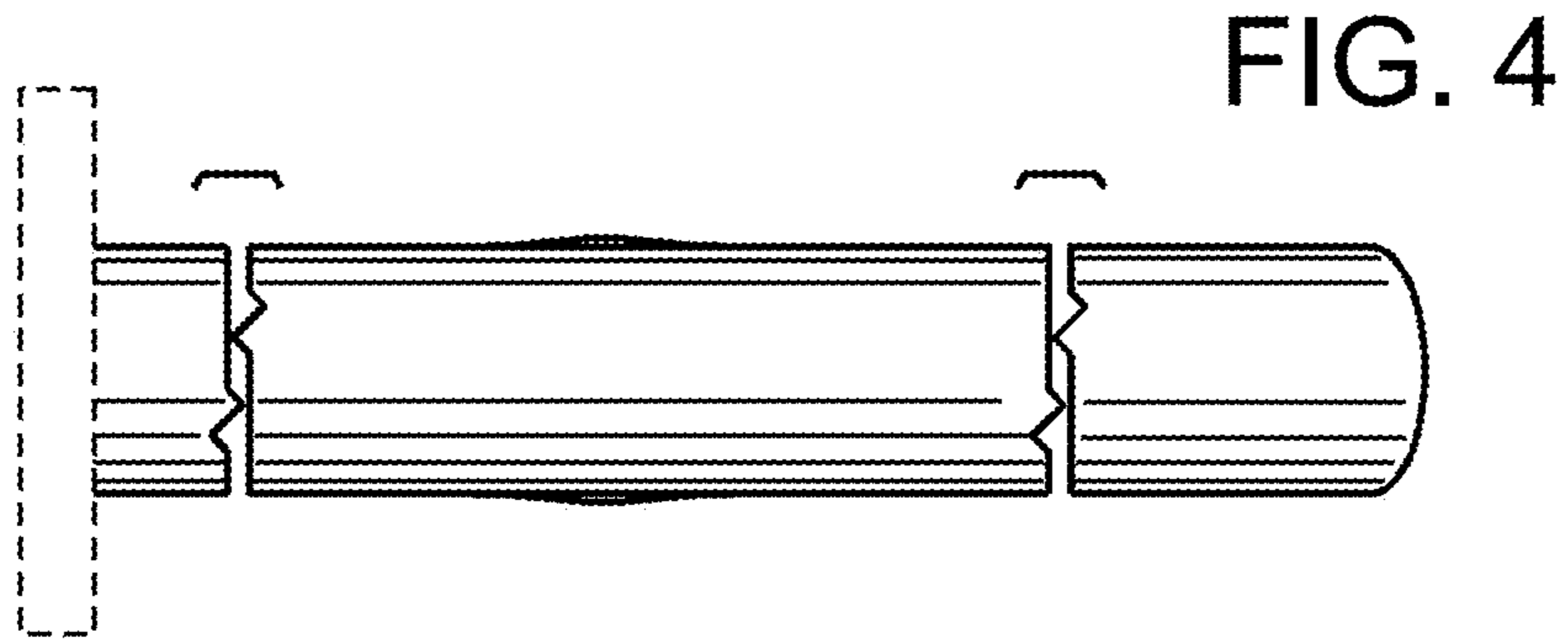


FIG. 5

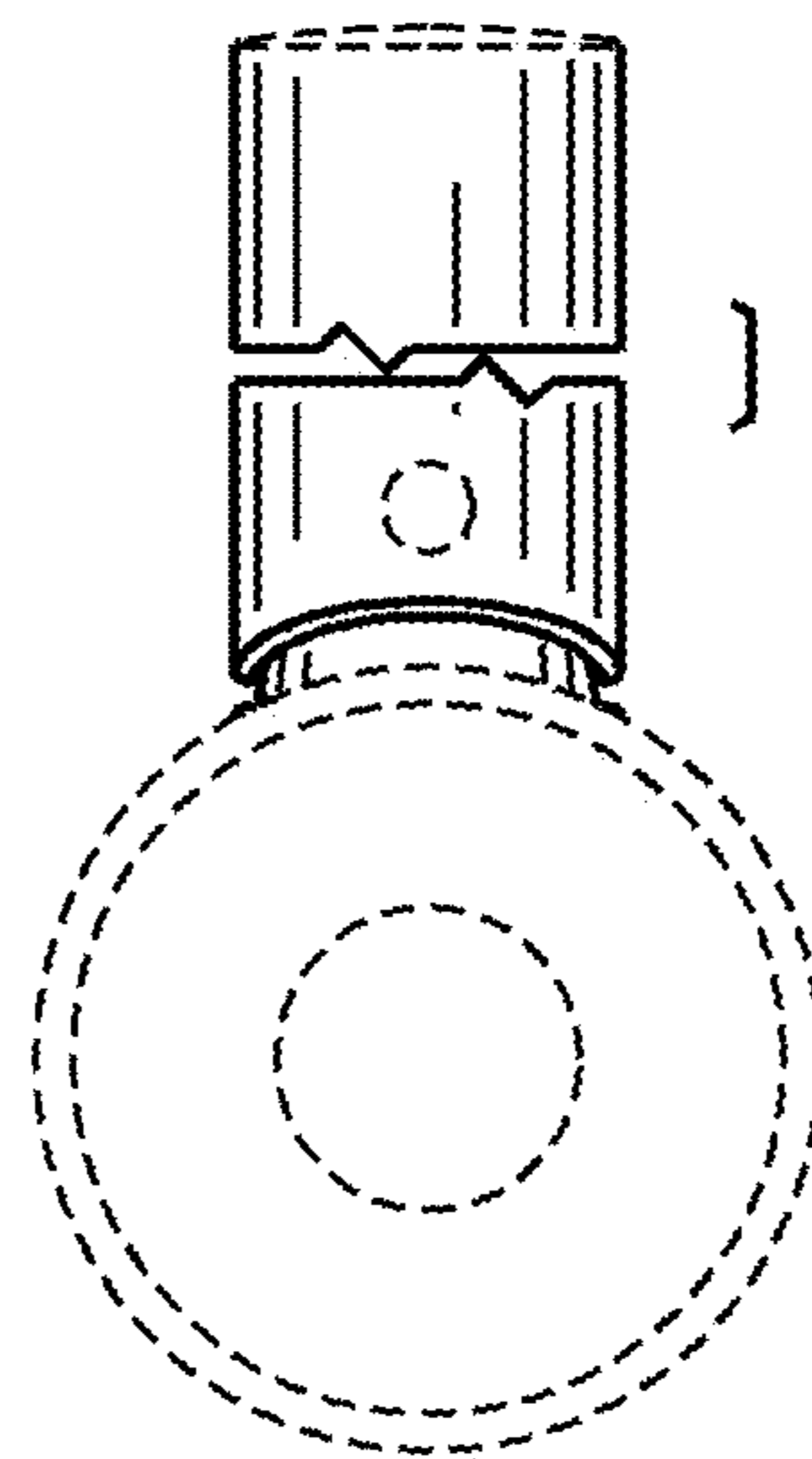


FIG. 6