

US00D698418S

(12) **United States Design Patent**
Narita

(10) **Patent No.:** **US D698,418 S**
(45) **Date of Patent:** **** Jan. 28, 2014**

(54) **ELECTROMAGNETIC VALVE**

FOREIGN PATENT DOCUMENTS

(71) Applicant: **SMC Corporation**, Chiyoda-ku (JP)

JP 1433474 2/2012

(72) Inventor: **Masaru Narita**, Kashiwa (JP)

JP D1433765 2/2012

(73) Assignee: **SMC Corporation**, Tokyo (JP)

TW D121233 S 2/2008

TW D121624 S 3/2008

(**) Term: **14 Years**

OTHER PUBLICATIONS

(21) Appl. No.: **29/443,166**

Office Action issued Dec. 21, 2012 in Japanese Design Application No. 2012-016734 (With English Translation).

(22) Filed: **Jan. 14, 2013**

Combined Office Action and Search Report issued Jul. 17, 2013 in Taiwanese Patent Application No. 102300681 with English language translation.

(30) **Foreign Application Priority Data**

U.S. Appl. No. 29/453,908, filed May 3, 2013, Narita.

U.S. Appl. No. 29/453,886, filed May 3, 2013, Narita.

Jul. 13, 2012 (JP) 2012-016734

* cited by examiner

(51) **LOC (10) Cl.** **23-01**

Primary Examiner — Cynthia Ramirez

(52) **U.S. Cl.**

(74) *Attorney, Agent, or Firm* — Oblon, Spivak, McClelland, Maier & Neustadt, L.L.P.

USPC **D23/233**

(58) **Field of Classification Search**

USPC D23/233–237, 244–249; D15/5, 7, 199; 137/554, 557, 560, 882, 884, 269, 271, 137/343, 625.64; 251/15, 129.04, 130, 219, 251/331, 596.16, 597.13, 30.01; 4/304
See application file for complete search history.

(57) **CLAIM**

The ornamental design for an electromagnetic valve, as shown and described.

(56) **References Cited**

DESCRIPTION

U.S. PATENT DOCUMENTS

D524,910 S *	7/2006	Matsumoto et al.	D23/233
D544,578 S *	6/2007	Matsumoto et al.	D23/233
D544,581 S *	6/2007	Matsumoto et al.	D23/233
D546,420 S *	7/2007	Matsumoto et al.	D23/233
D563,512 S *	3/2008	Mita et al.	D23/233
D563,513 S *	3/2008	Mita et al.	D23/233
D563,516 S *	3/2008	Mita et al.	D23/233
D564,072 S *	3/2008	Yoshimura et al.	D23/233
D564,629 S *	3/2008	Miyazoe et al.	D23/233
D572,344 S *	7/2008	Kato	D23/233
D623,270 S *	9/2010	Fukano et al.	D23/233
D639,393 S *	6/2011	Hayashi	D23/233
D653,307 S *	1/2012	Senba	D23/233
D668,321 S *	10/2012	Senba	D23/233

FIG. 1 is a front, top, and left side perspective view of an electromagnetic valve;
FIG. 2 is a rear, bottom, and left side perspective view of;
FIG. 3 is a front elevational view thereof;
FIG. 4 is a rear elevational view thereof;
FIG. 5 is a top plan view thereof;
FIG. 6 is a bottom plan view thereof;
FIG. 7 is a left side elevational view thereof; and,
FIG. 8 is a right side elevational view thereof.
The broken lines in the drawings depict environmental subject matter only and form no part of the claimed design.

1 Claim, 4 Drawing Sheets

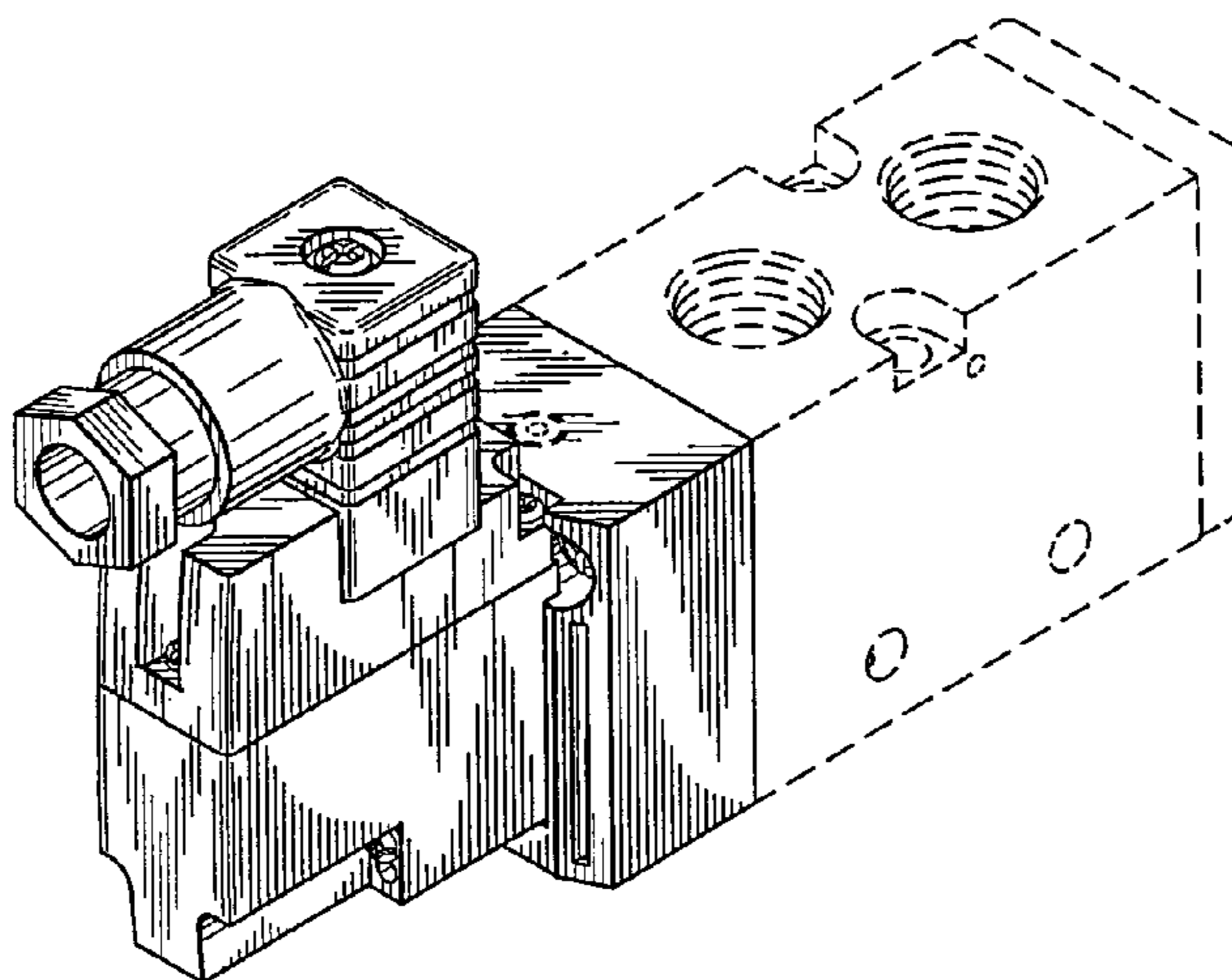


Fig. 1

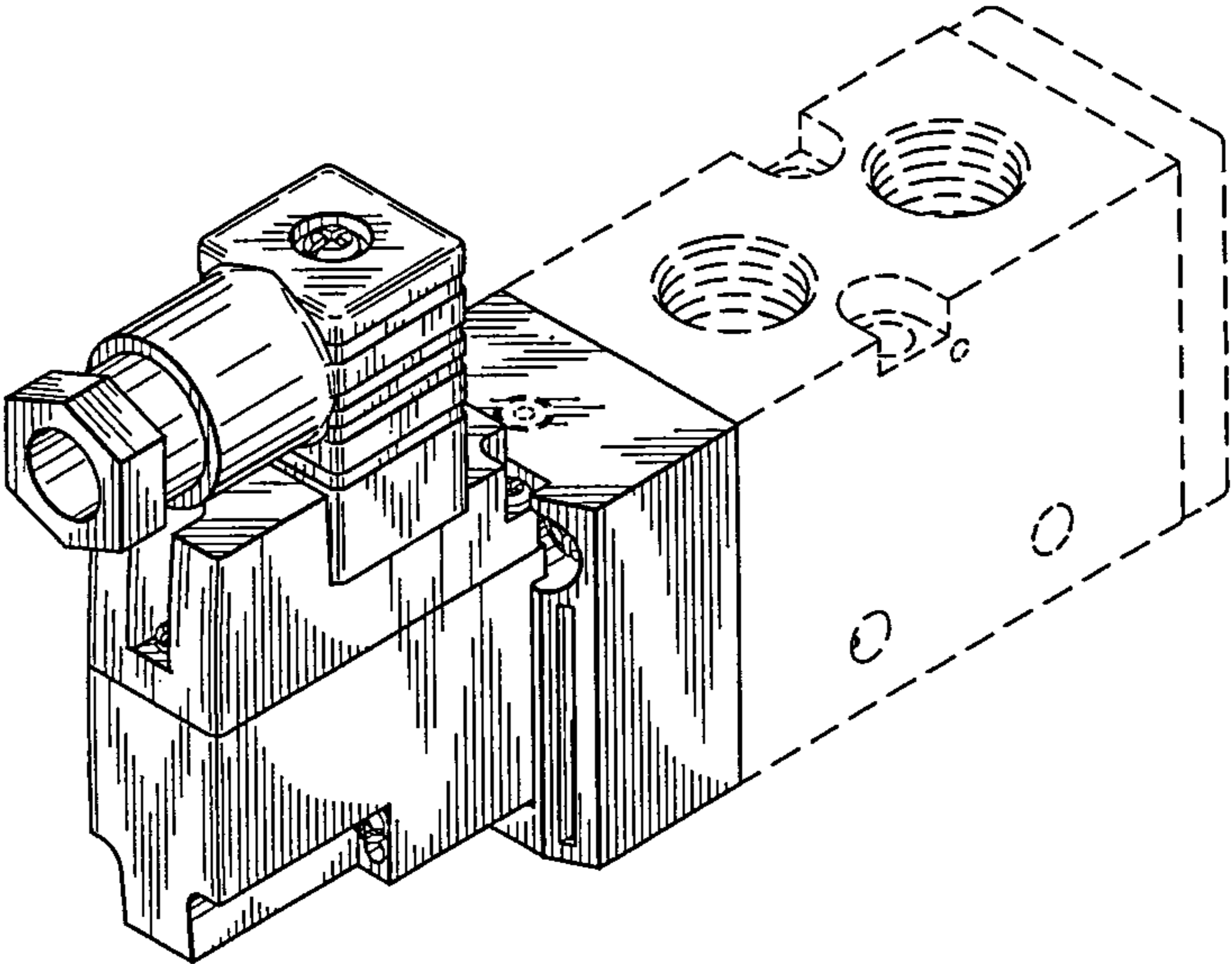


Fig. 2

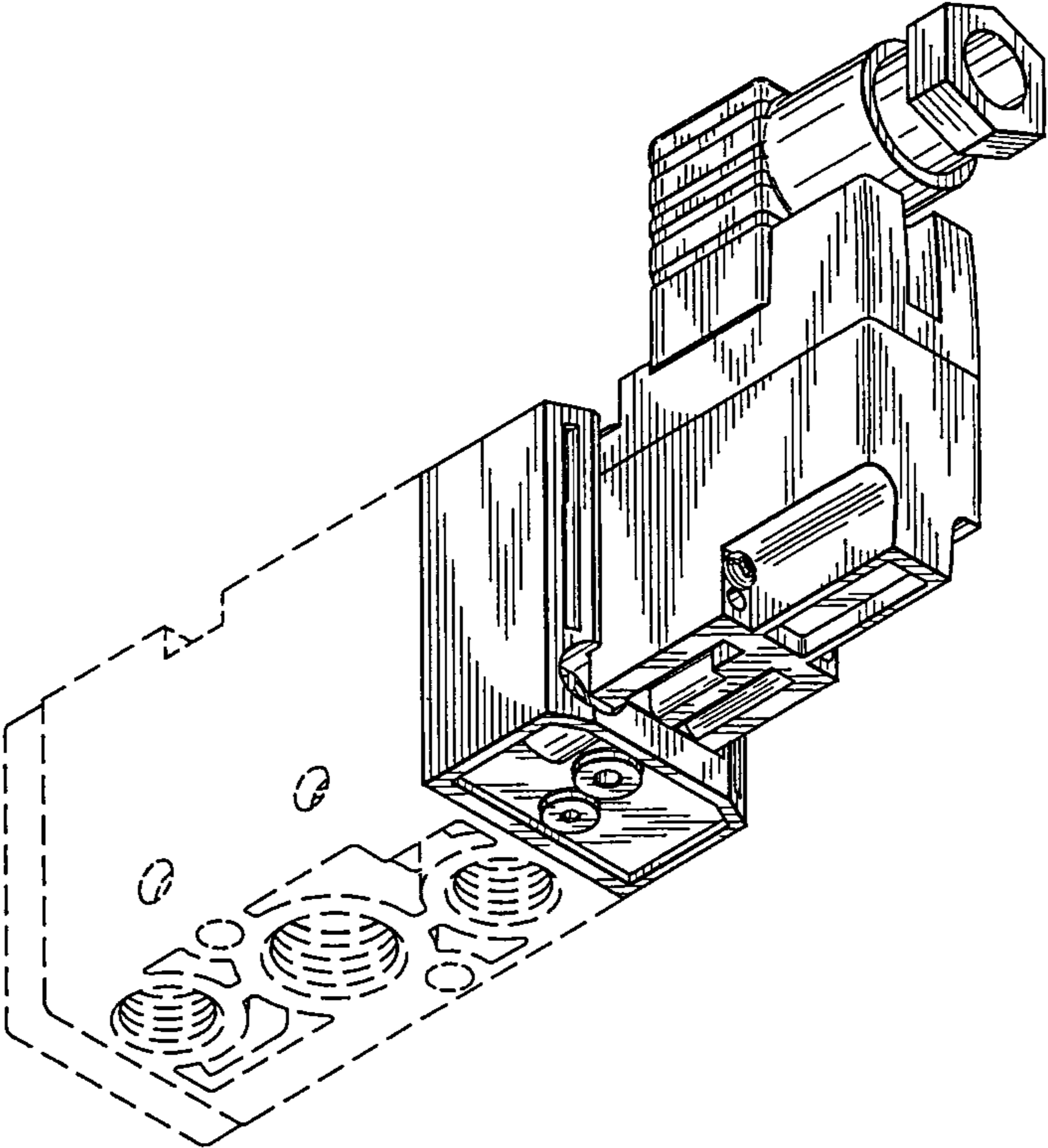


Fig. 3

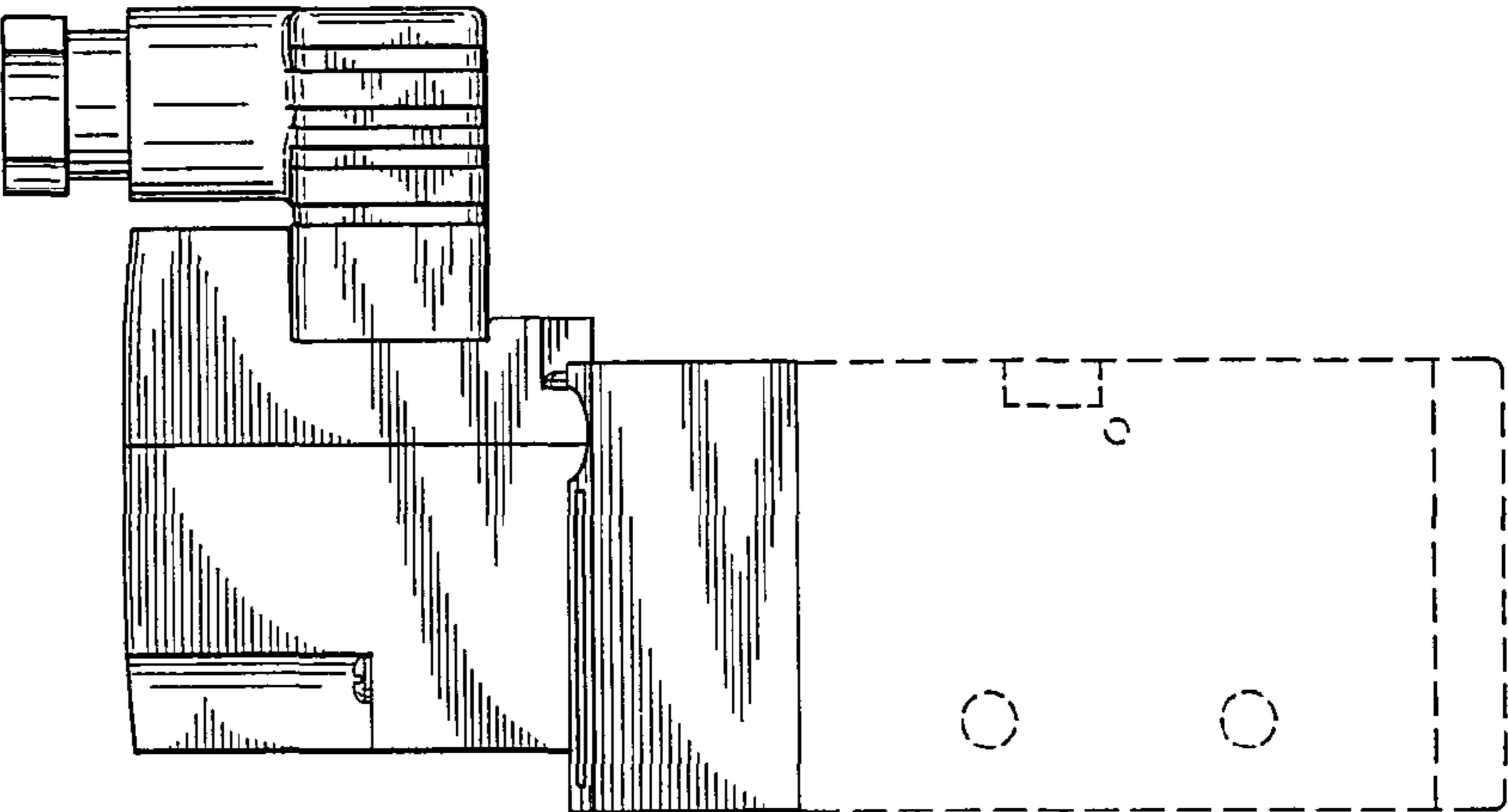
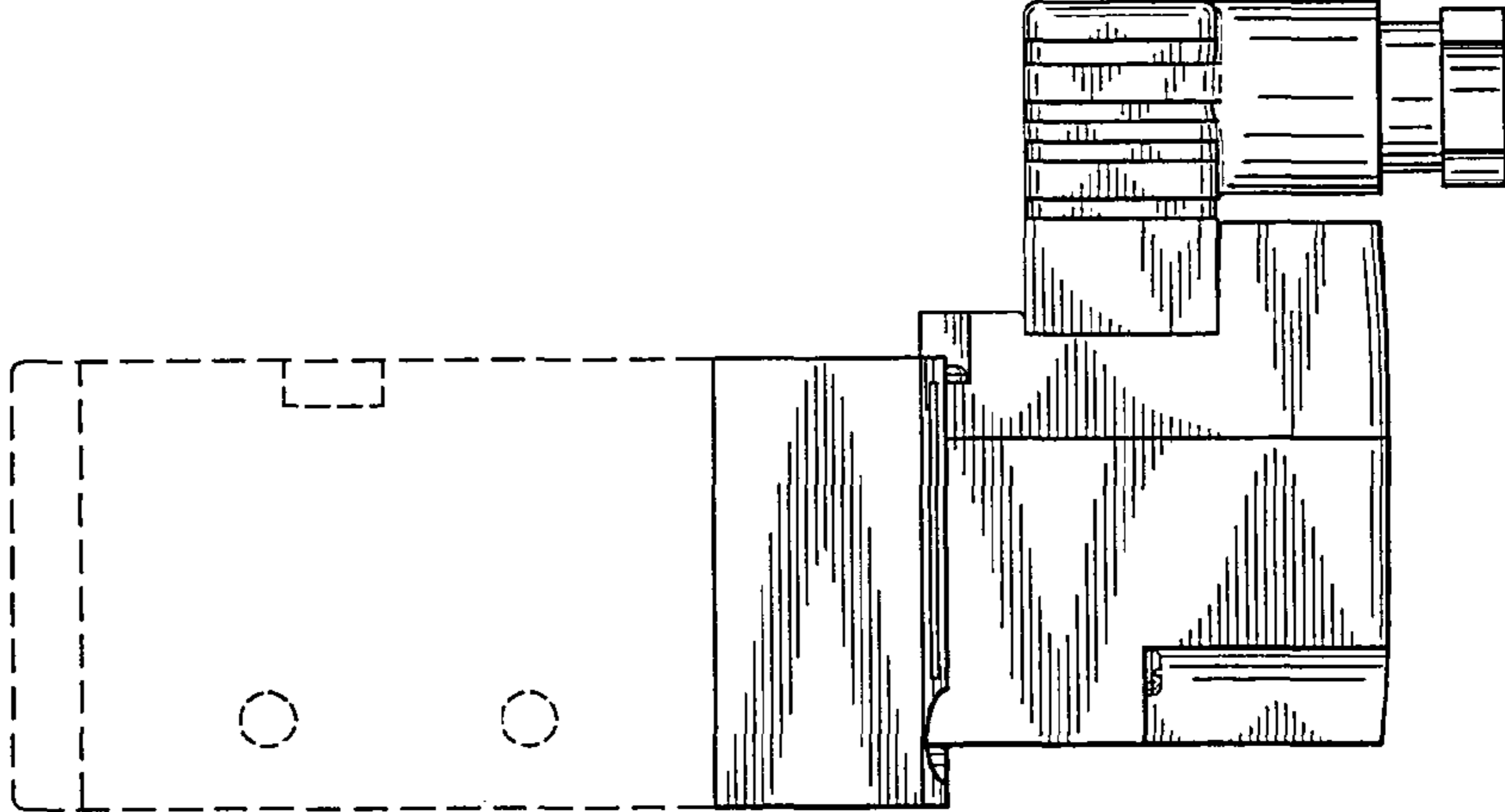


Fig. 4



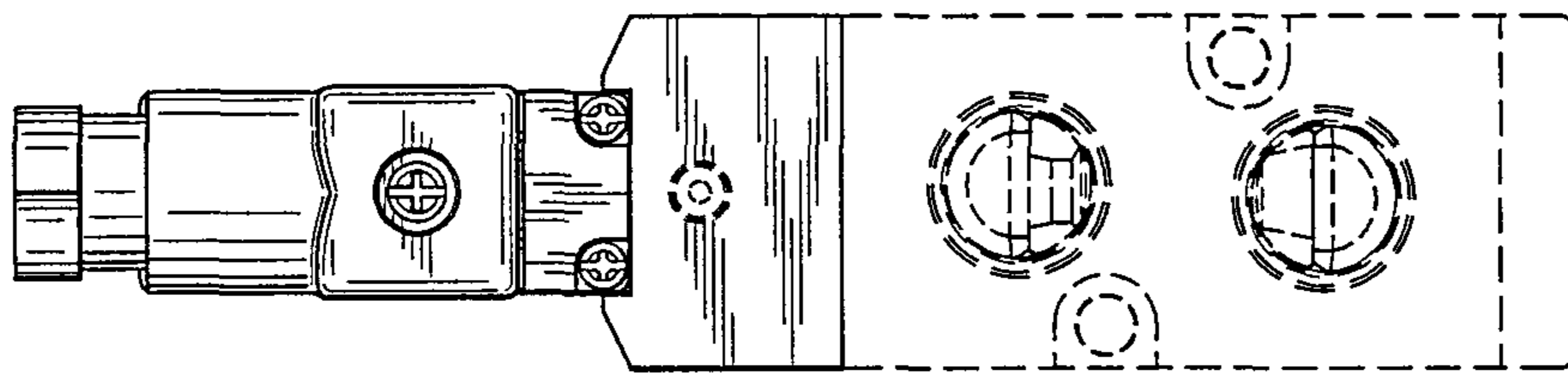


Fig. 5

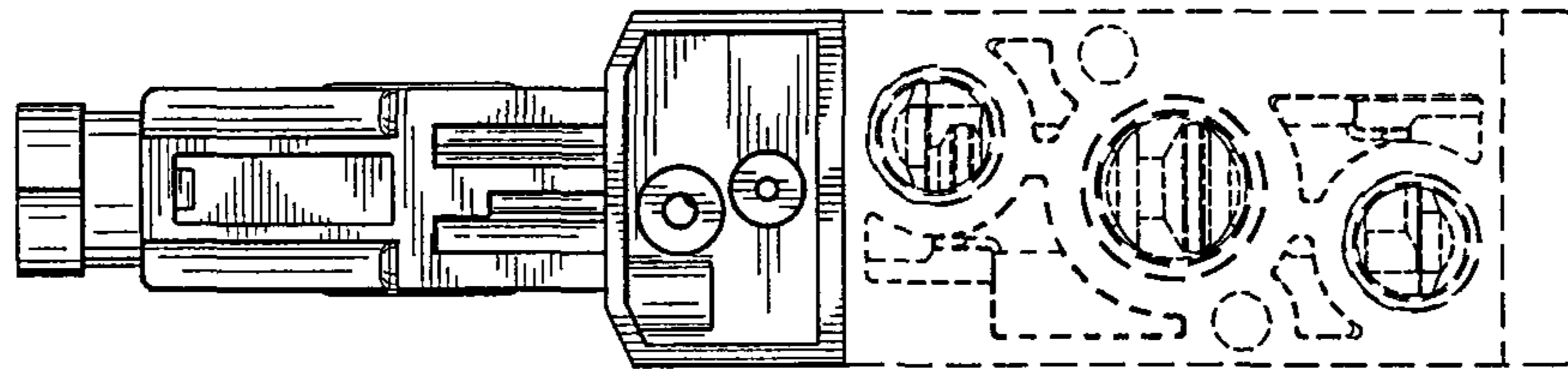


Fig. 6

Fig. 7

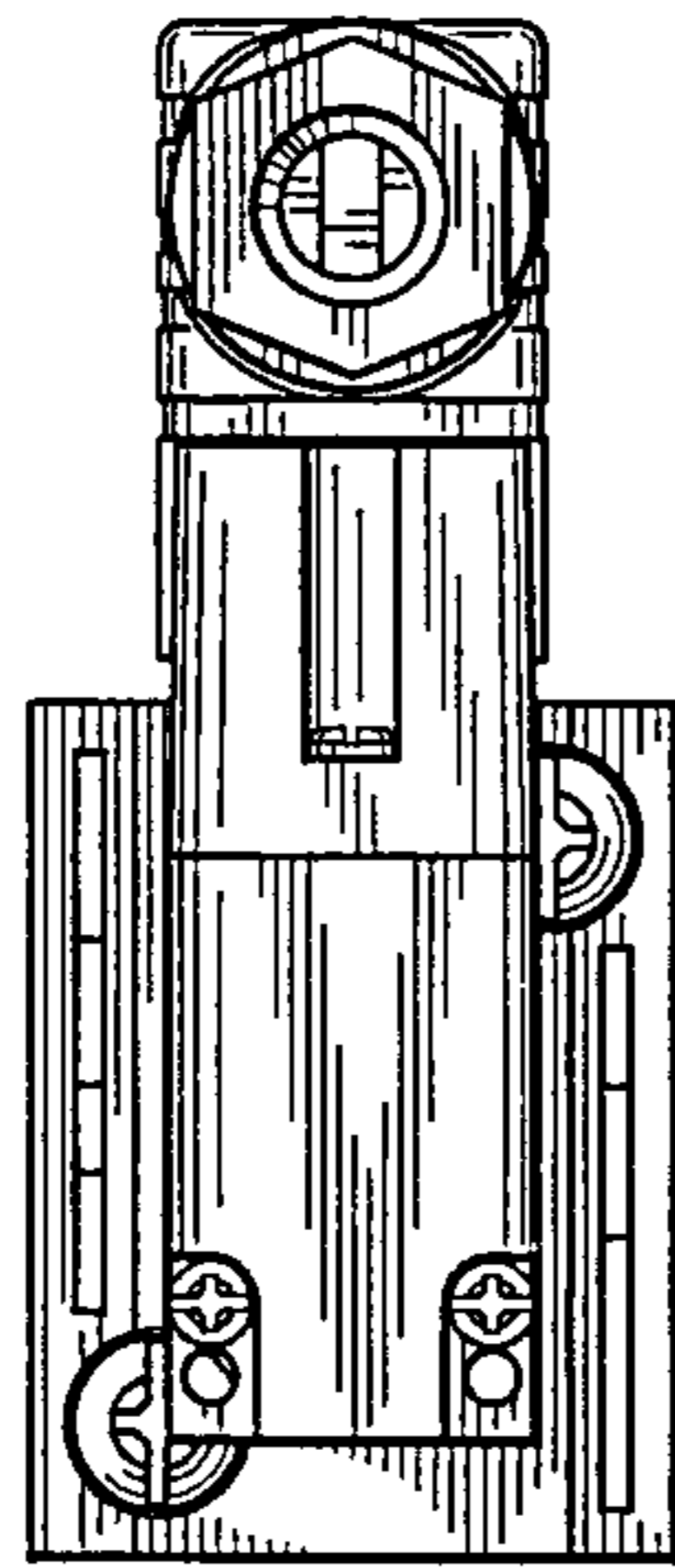


Fig. 8

