



US00D698417S

(12) **United States Design Patent**  
**Tamura et al.**

(10) **Patent No.:** **US D698,417 S**  
(45) **Date of Patent:** **\*\* Jan. 28, 2014**

- (54) **ELECTROMAGNETIC VALVE**
- (71) Applicant: **SMC Corporation**, Chiyoda-ku (JP)
- (72) Inventors: **Tetsuo Tamura**, Moriya (JP); **Kazuaki Takemura**, Moriya (JP); **Masanori Kaitsuka**, Omitama (JP)
- (73) Assignee: **SMC Corporation**, Tokyo (JP)
- (\*\*) Term: **14 Years**
- (21) Appl. No.: **29/440,969**
- (22) Filed: **Dec. 28, 2012**
- (30) **Foreign Application Priority Data**

Jun. 28, 2012 (JP) ..... 2012-015376

- (51) **LOC (10) Cl.** ..... **23-01**
- (52) **U.S. Cl.**  
USPC ..... **D23/233**

- (58) **Field of Classification Search**  
USPC ..... D23/233–237, 244–249; D15/5, 7, 199;  
137/554, 557, 560, 882, 884, 269, 271,  
137/343, 625.64; 251/15, 129.04, 130, 219,  
251/331, 596.16, 597.13, 30.01; 4/304  
See application file for complete search history.

(56) **References Cited**

**U.S. PATENT DOCUMENTS**

- D524,910 S \* 7/2006 Matsumoto et al. .... D23/233
- D544,578 S \* 6/2007 Matsumoto et al. .... D23/233
- D544,581 S \* 6/2007 Matsumoto et al. .... D23/233
- D546,420 S \* 7/2007 Matsumoto et al. .... D23/233
- D563,512 S \* 3/2008 Mita et al. .... D23/233
- D563,513 S \* 3/2008 Mita et al. .... D23/233
- D563,516 S \* 3/2008 Mita et al. .... D23/233

- D564,072 S \* 3/2008 Yoshimura et al. .... D23/233
- D564,629 S \* 3/2008 Miyazoe et al. .... D23/233
- D572,344 S \* 7/2008 Kato ..... D23/233
- D623,270 S \* 9/2010 Fukano et al. .... D23/233
- D639,393 S \* 6/2011 Hayashi ..... D23/233
- D653,307 S \* 1/2012 Senba ..... D23/233
- D668,321 S \* 10/2012 Senba ..... D23/233

**OTHER PUBLICATIONS**

- U.S. Appl. No. 29/440,928, filed Dec. 28, 2012, Tamura, et al.
- U.S. Appl. No. 29/440,937, filed Dec. 28, 2012, Tamura, et al.
- U.S. Appl. No. 29/440,979, filed Dec. 28, 2012, Tamura, et al.

\* cited by examiner

*Primary Examiner* — Cynthia Ramirez

(74) *Attorney, Agent, or Firm* — Oblon, Spivak, McClelland, Maier & Neustadt, L.L.P.

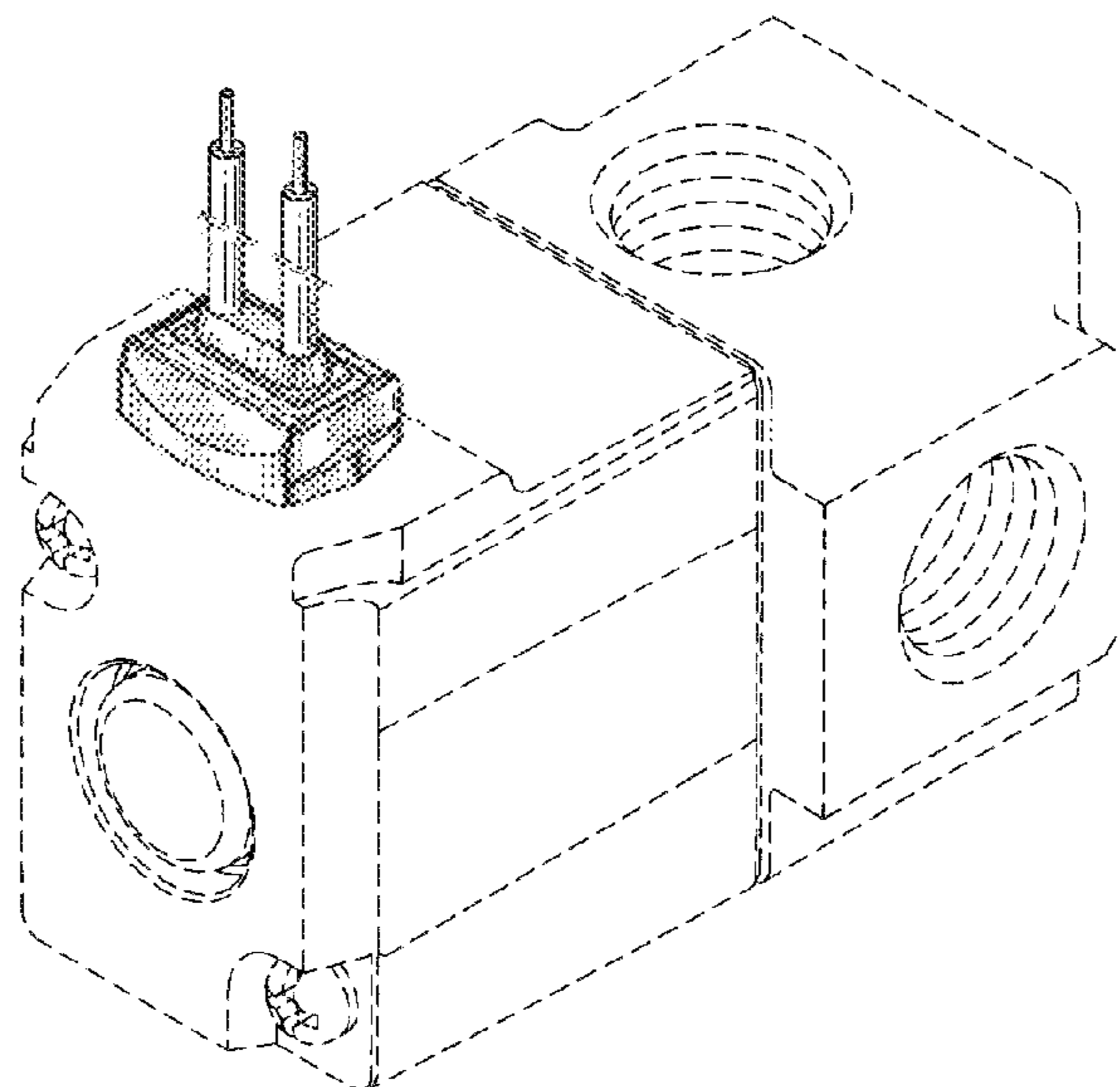
(57) **CLAIM**

The ornamental design for an electromagnetic valve, as shown and described.

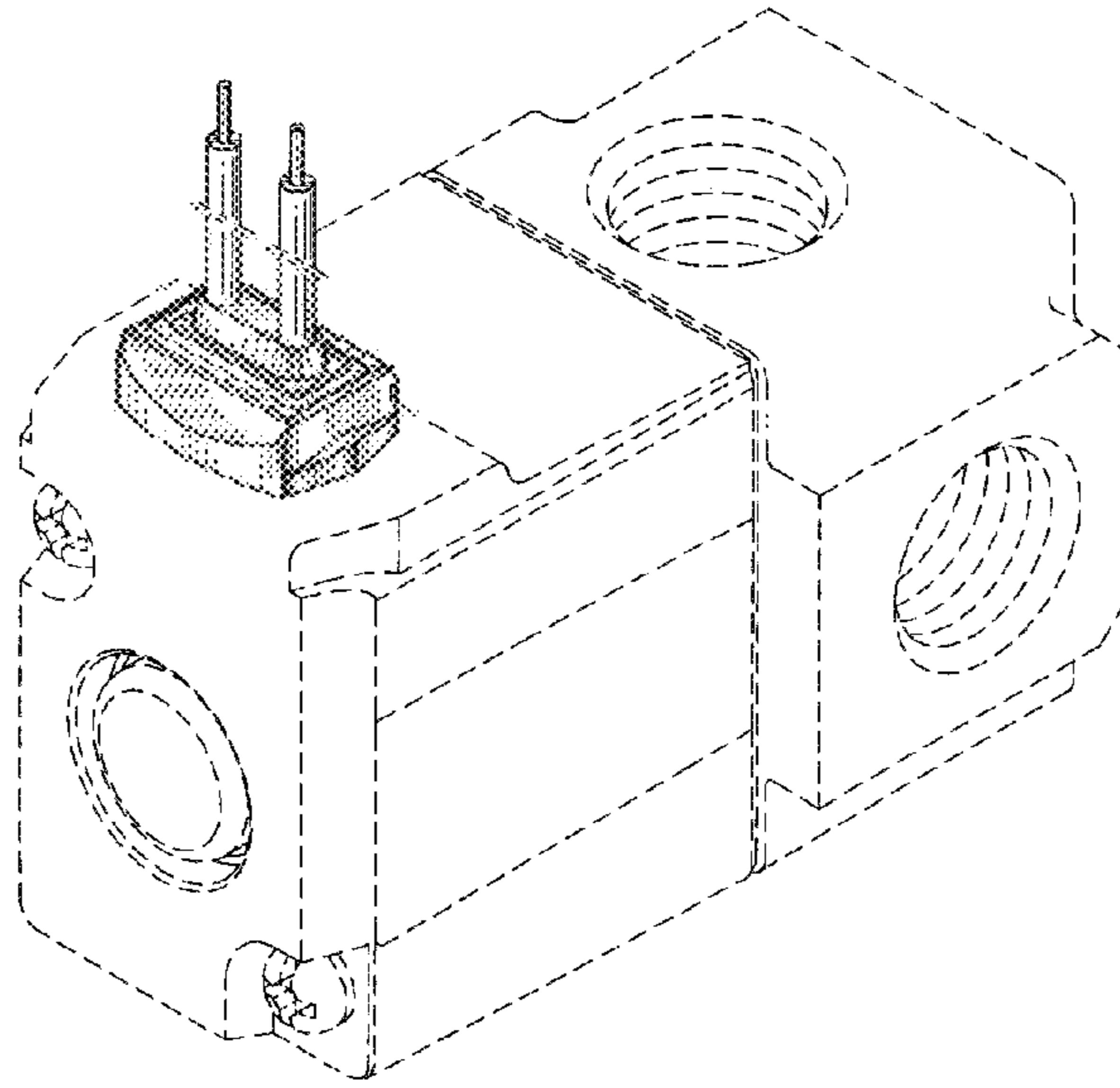
**DESCRIPTION**

FIG. 1 is a front, top, and right side perspective view of an electromagnetic valve;  
 FIG. 2 is a rear, bottom, and left side perspective view of;  
 FIG. 3 is a front elevational view thereof;  
 FIG. 4 is a rear elevational view thereof;  
 FIG. 5 is a top plan view thereof;  
 FIG. 6 is a bottom plan view thereof;  
 FIG. 7 is a left side elevational view thereof; and,  
 FIG. 8 is a right side elevational view thereof.  
 The broken lines in the drawings depict environmental subject matter only and form no part of the claimed design.

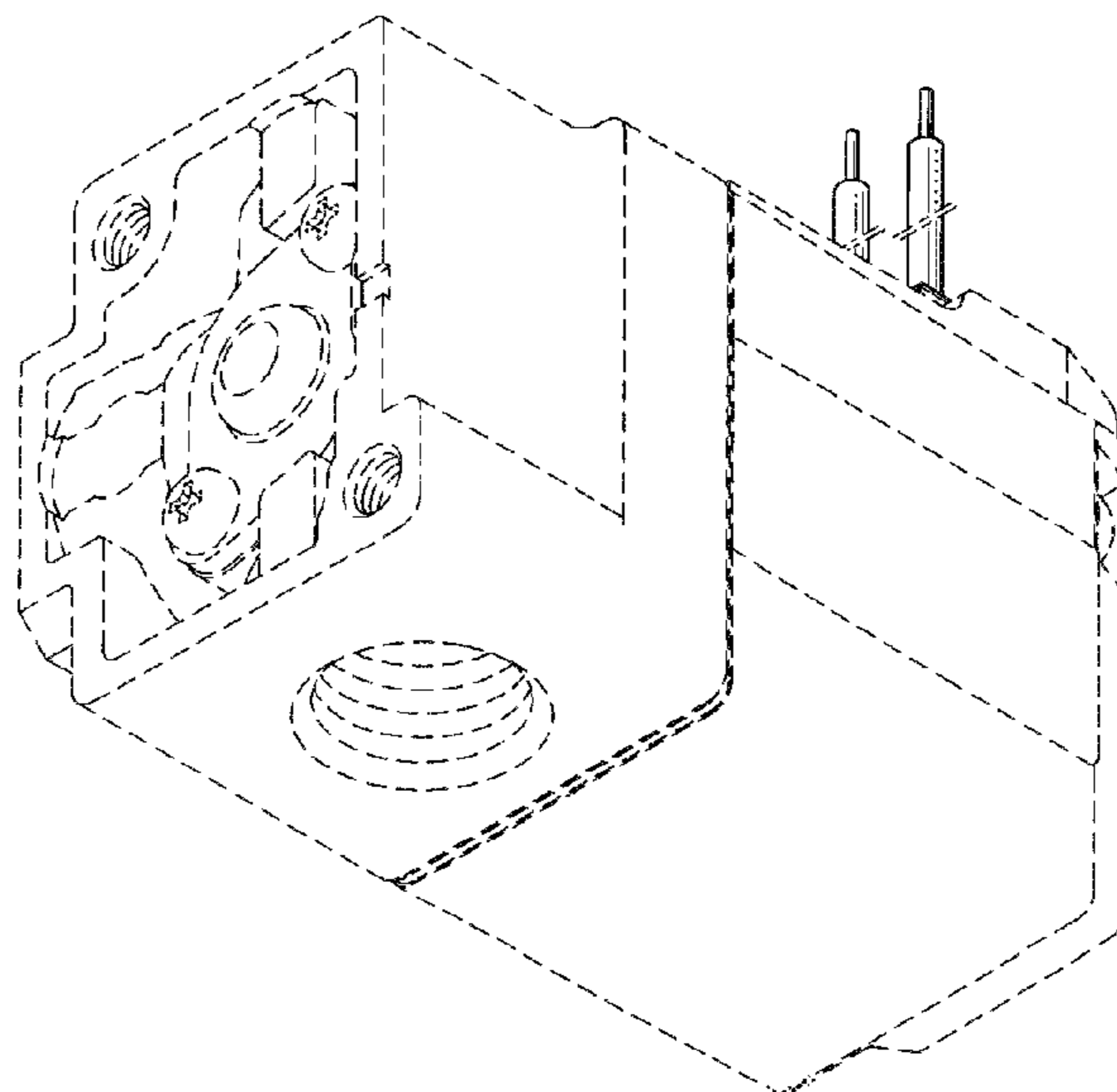
**1 Claim, 4 Drawing Sheets**



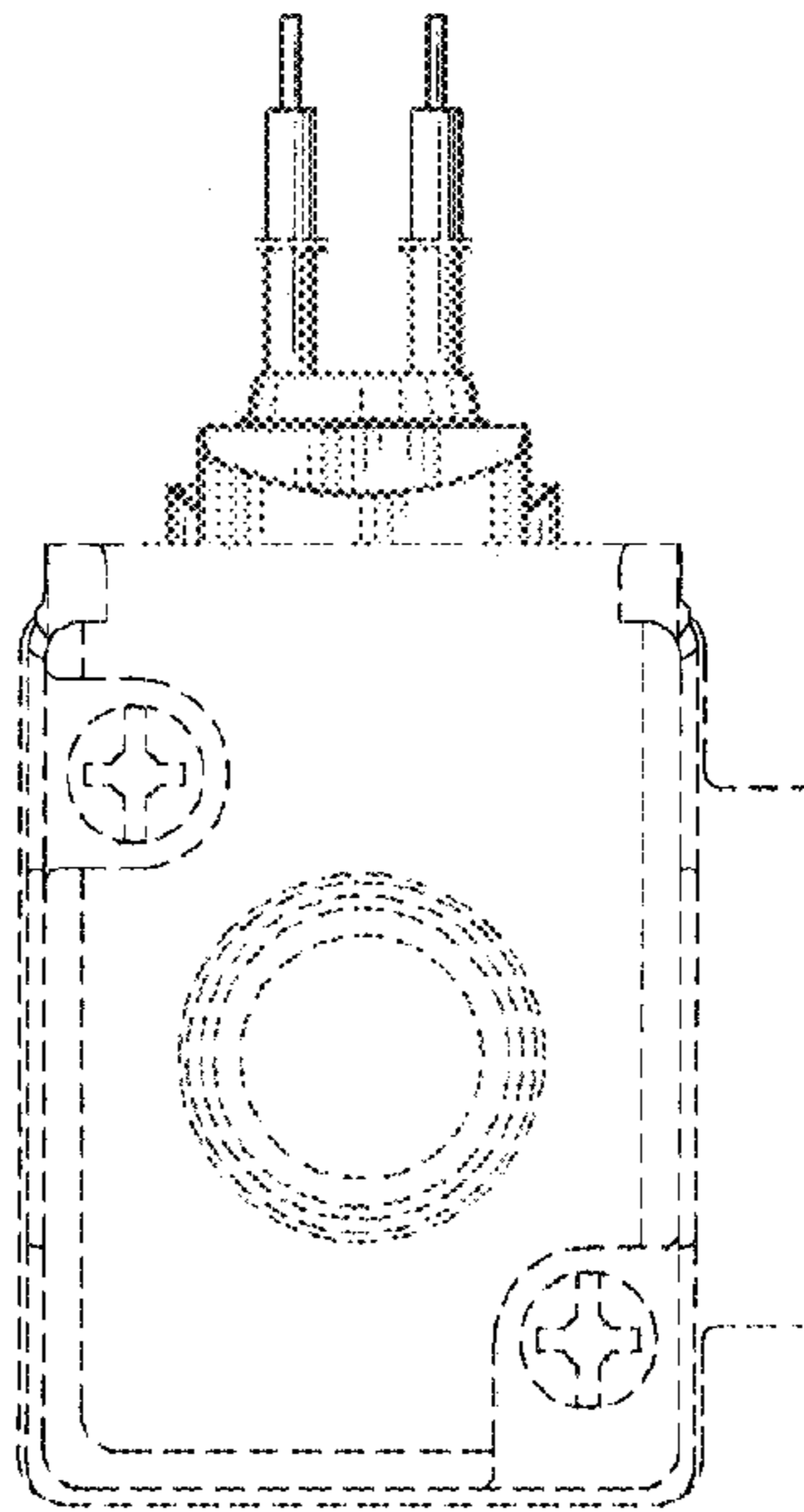
*Fig. 1*



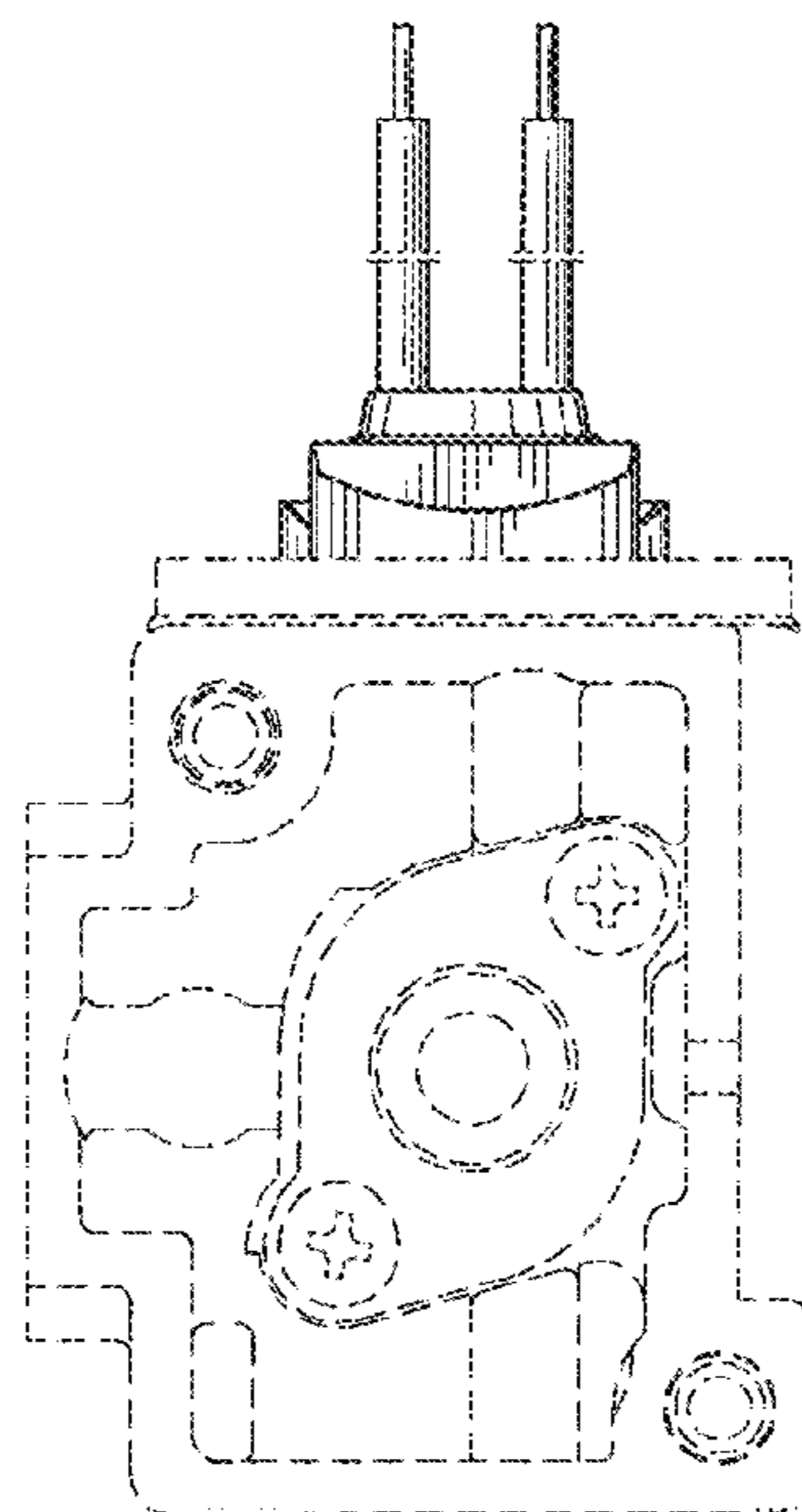
*Fig. 2*



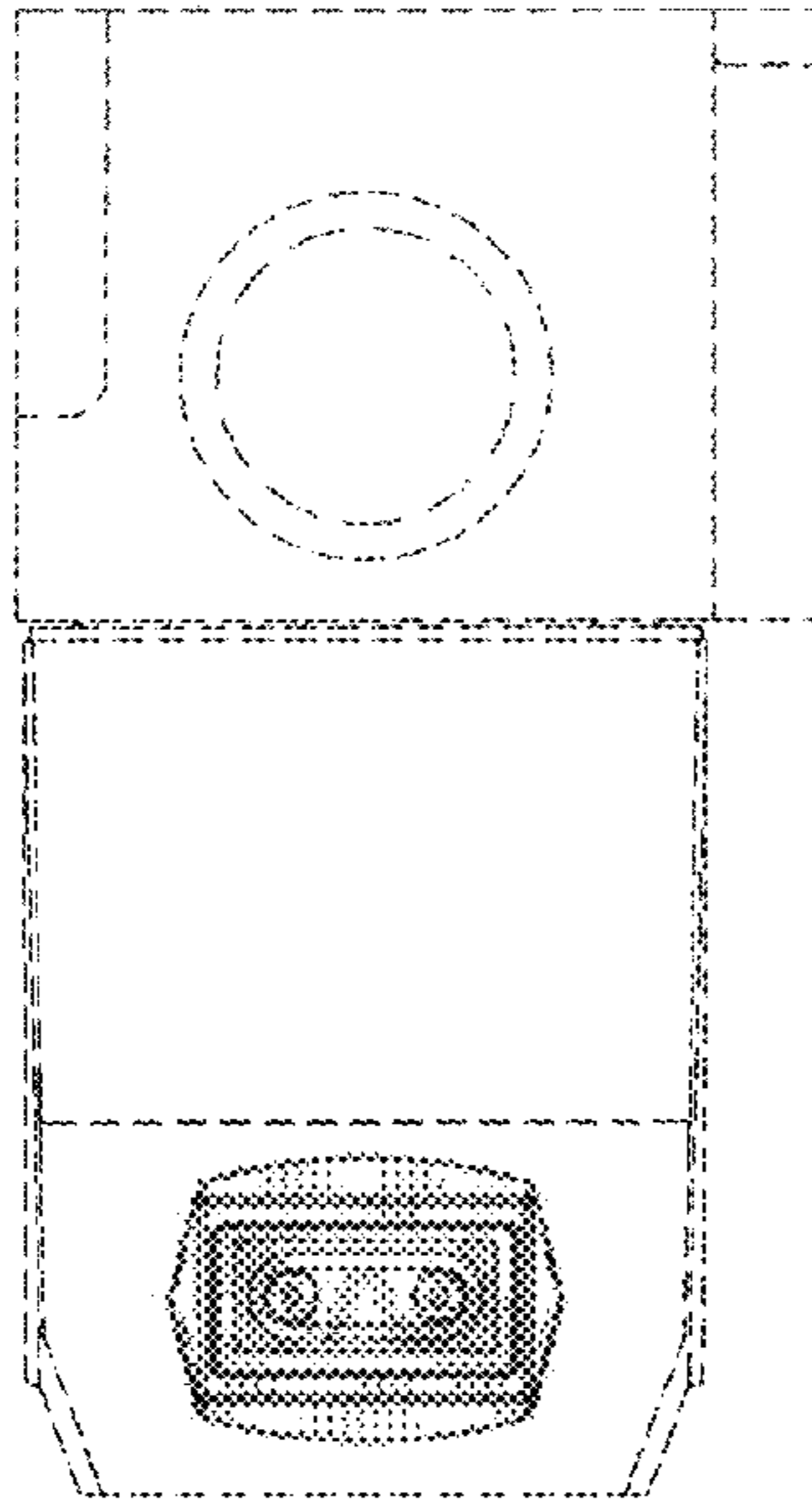
*Fig. 3*



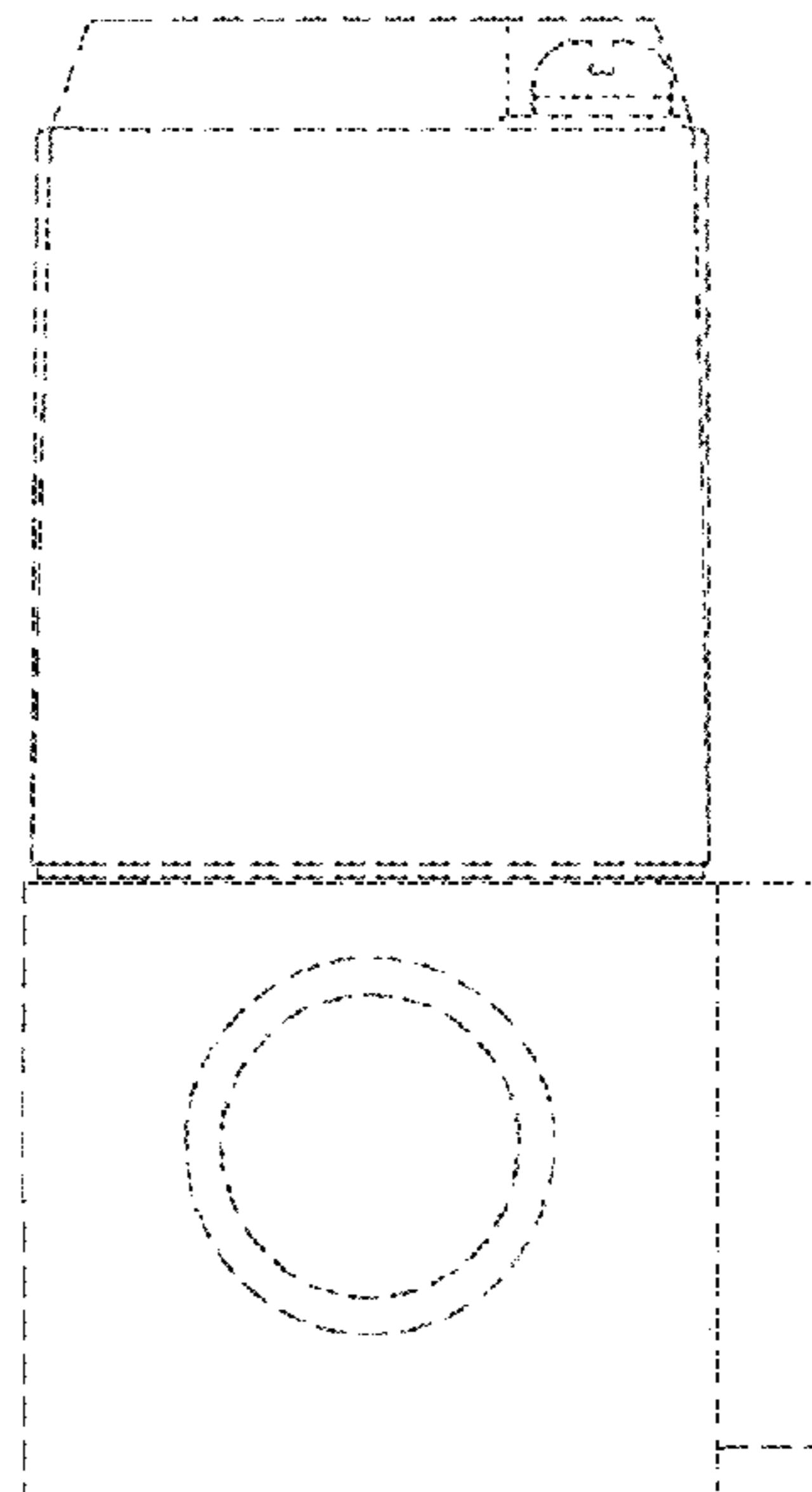
*Fig. 4*



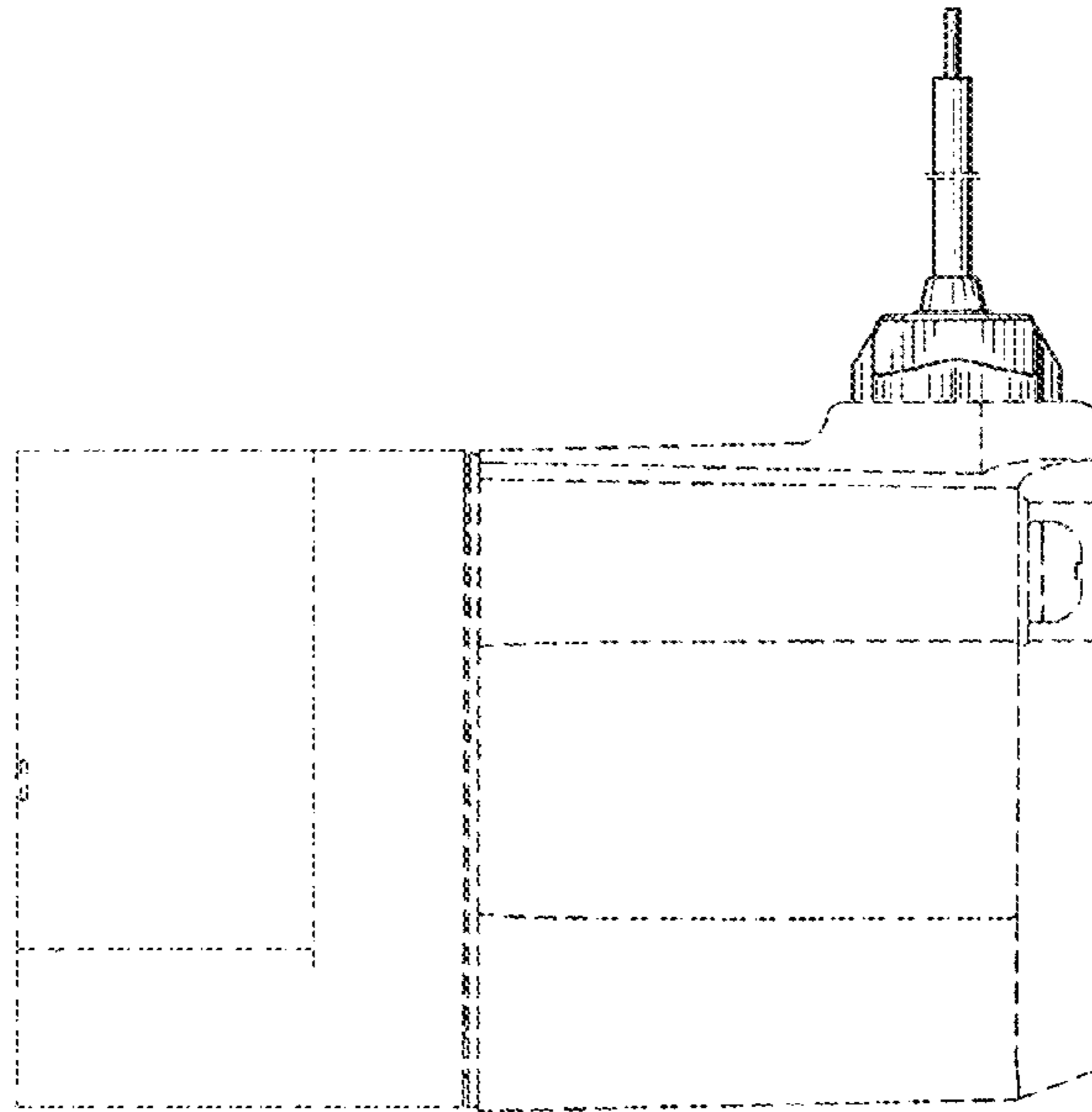
*Fig. 5*



*Fig. 6*



*Fig. 7*



*Fig. 8*

