



US00D698416S

(12) **United States Design Patent**  
**Spiegel**

(10) **Patent No.:** **US D698,416 S**

(45) **Date of Patent:** **\*\* Jan. 28, 2014**

(54) **PAINT SPRAYER**

D639,387 S \* 6/2011 Martin ..... D23/225  
D671,619 S \* 11/2012 Tullney et al. .... D23/225

(76) **Inventor:** **Peter Spiegel**, Sherman Oaks, CA (US)

\* cited by examiner

(\*\*) **Term:** **14 Years**

*Primary Examiner* — Robin V Webster

(74) *Attorney, Agent, or Firm* — Tutunjian & Bitetto, P.C.

(21) **Appl. No.:** **29/423,088**

(57) **CLAIM**

The ornamental design for a paint sprayer, as shown and described.

(22) **Filed:** **May 29, 2012**

(51) **LOC (10) Cl.** ..... **23-01**

**DESCRIPTION**

(52) **U.S. Cl.**

USPC ..... **D23/225**

(58) **Field of Classification Search**

USPC ..... D23/213, 223, 226, 225; 239/690,  
239/690.1, 691, 302, 332, 308, 310, 291,  
239/526, 379; 222/383.1, 465.1

See application file for complete search history.

FIG. 1 is a perspective view of the paint sprayer showing my new design;

FIG. 2 is a right side view thereof;

FIG. 3 is a front view thereof;

FIG. 4 is a left side view thereof;

FIG. 5 is rear view thereof;

FIG. 6 is a top view thereof; and,

FIG. 7 is a bottom view thereof.

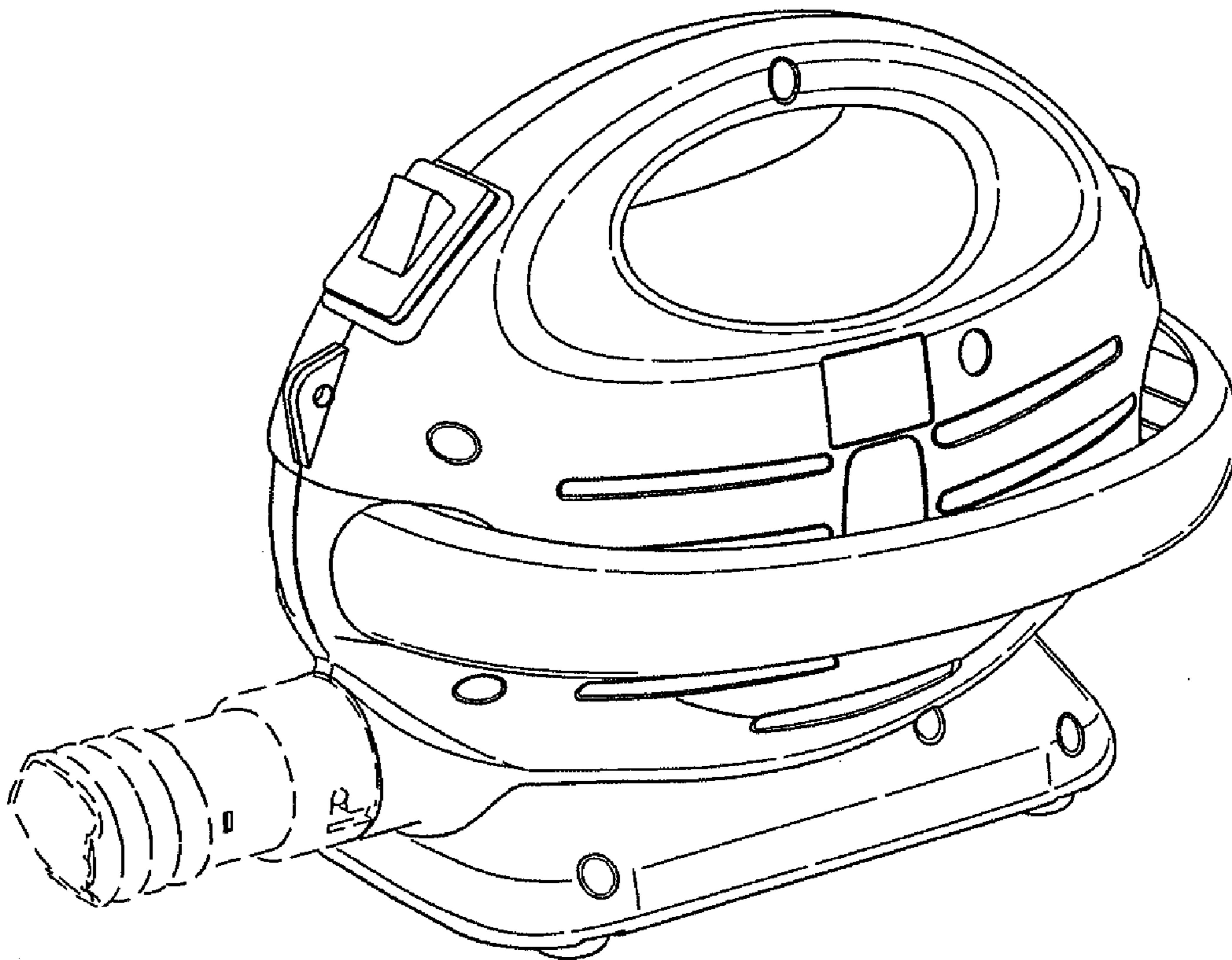
The broken lines shown in FIGS. 1-7 represent unclaimed portions of the paint sprayer and form no part of the claimed design.

(56) **References Cited**

**U.S. PATENT DOCUMENTS**

D607,968 S \* 1/2010 Wojciechowski et al. ... D23/213  
D632,761 S \* 2/2011 Cane et al. .... D23/225

**1 Claim, 4 Drawing Sheets**



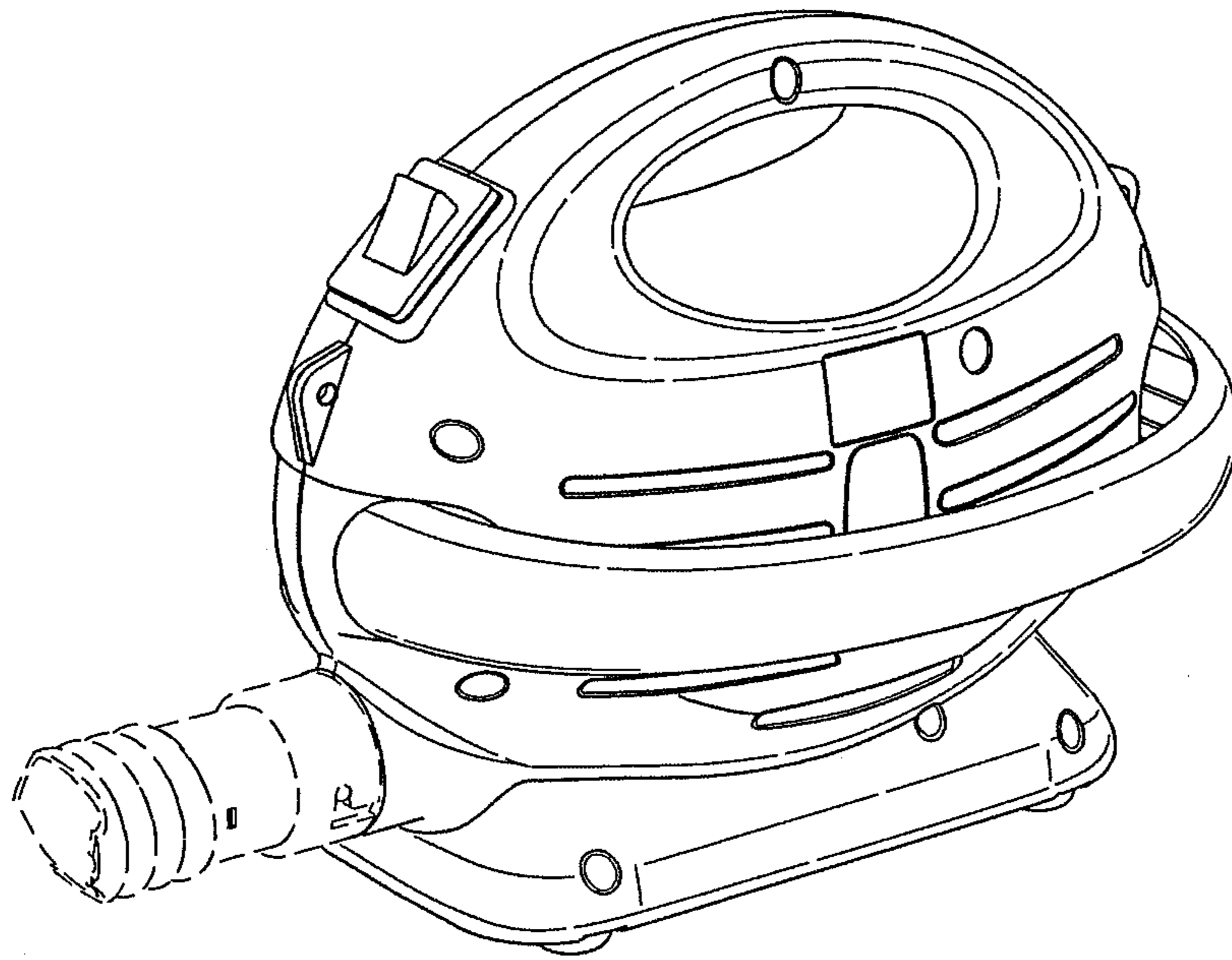


FIG. 1

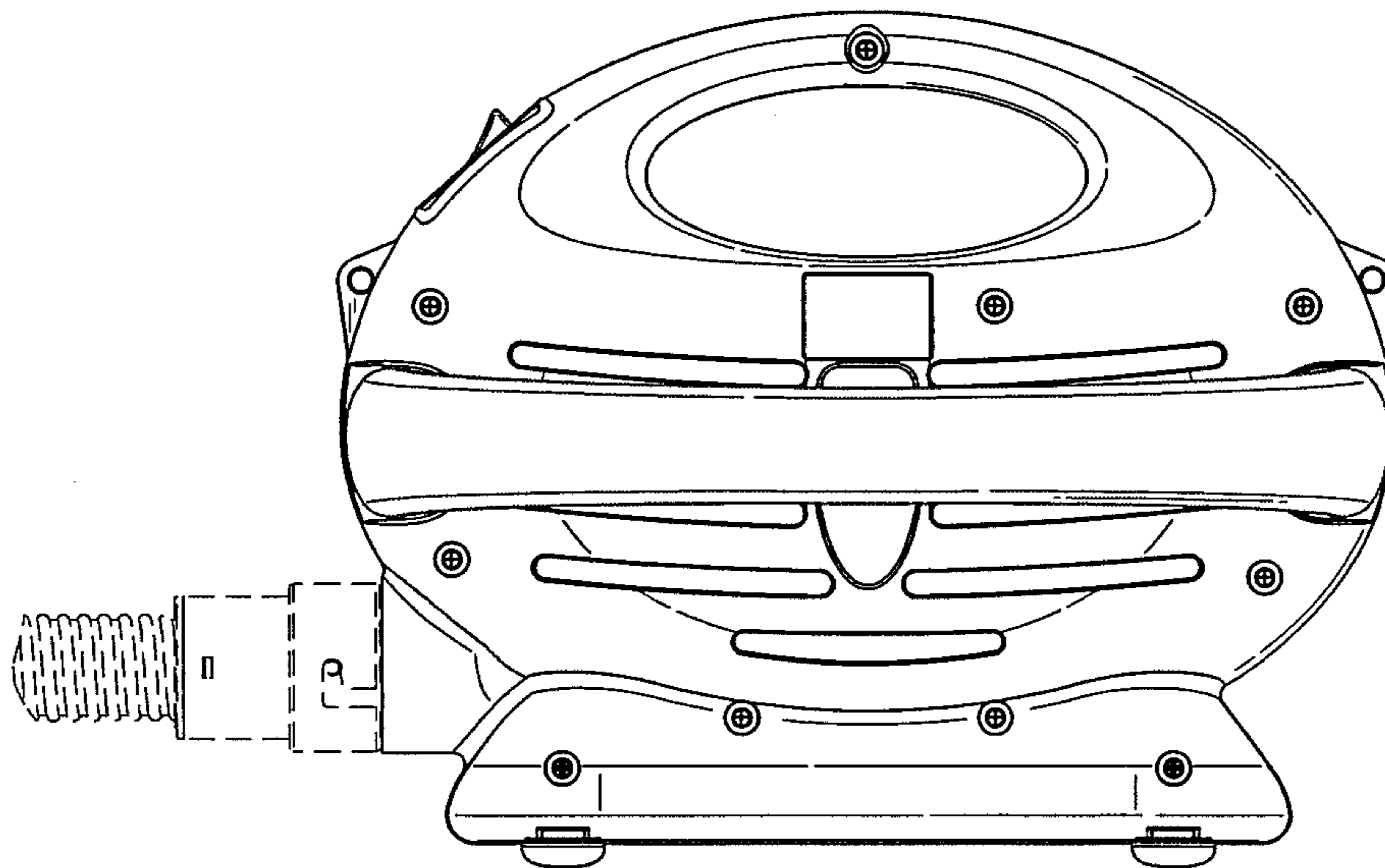


FIG. 2

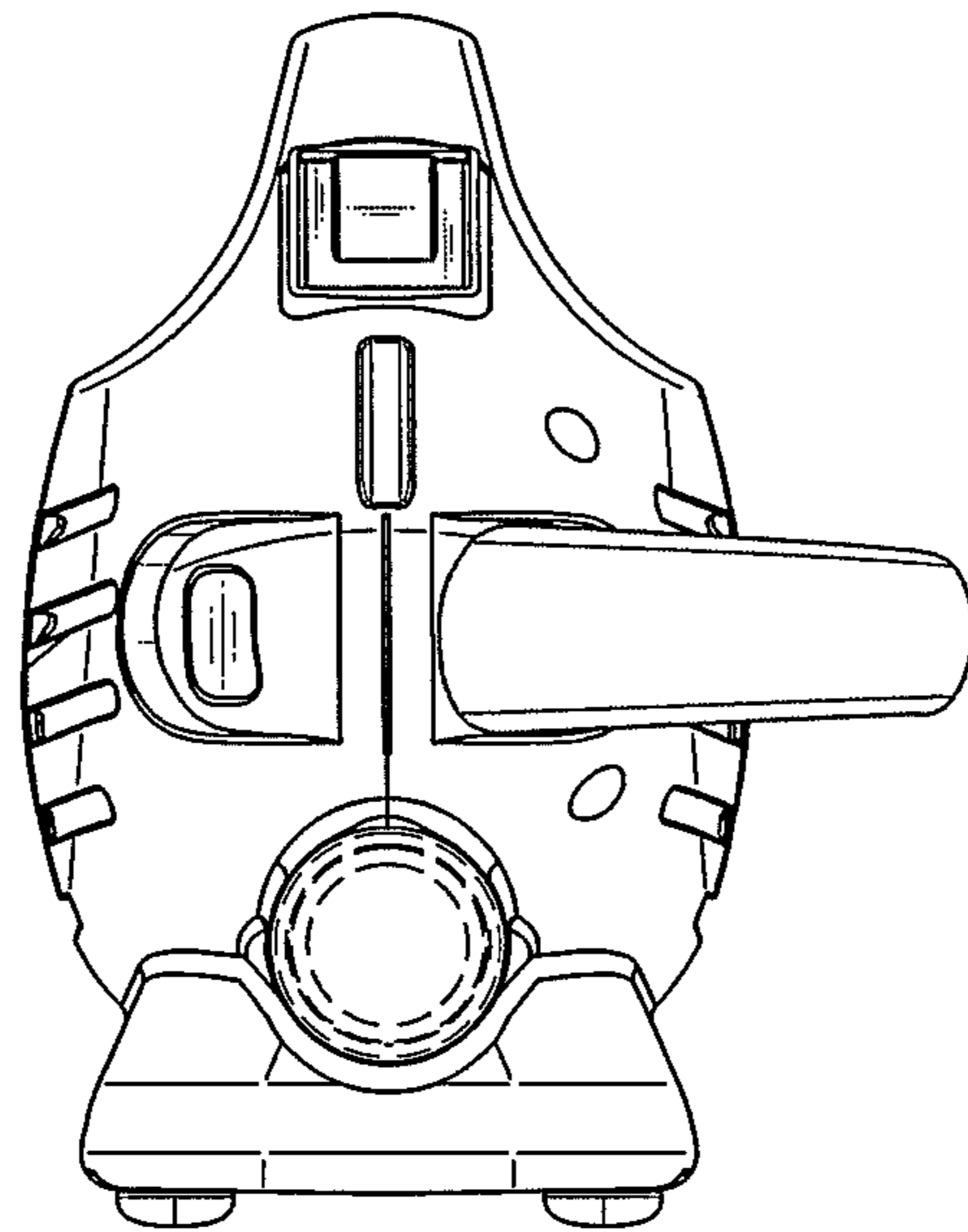


FIG. 3

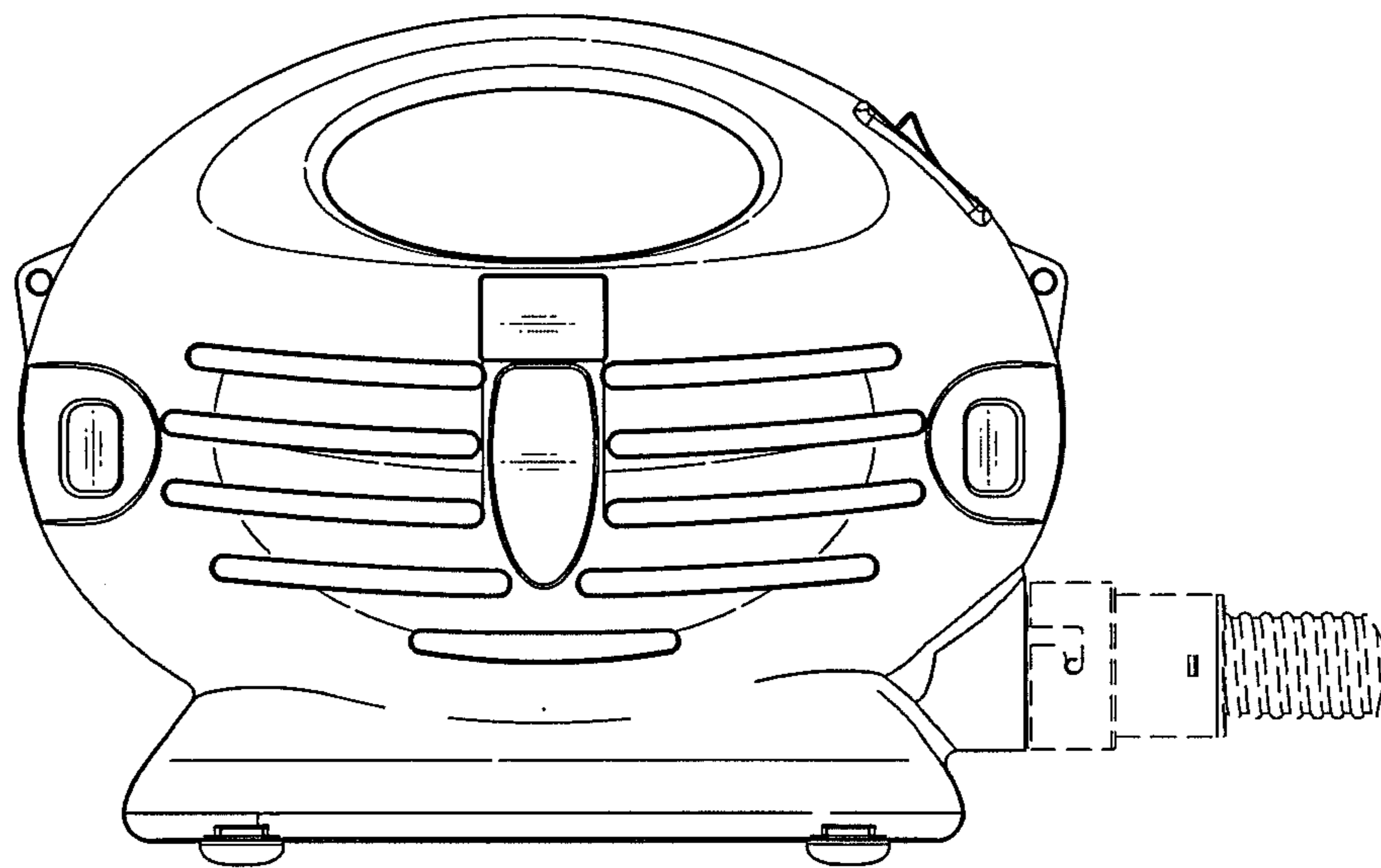


FIG. 4

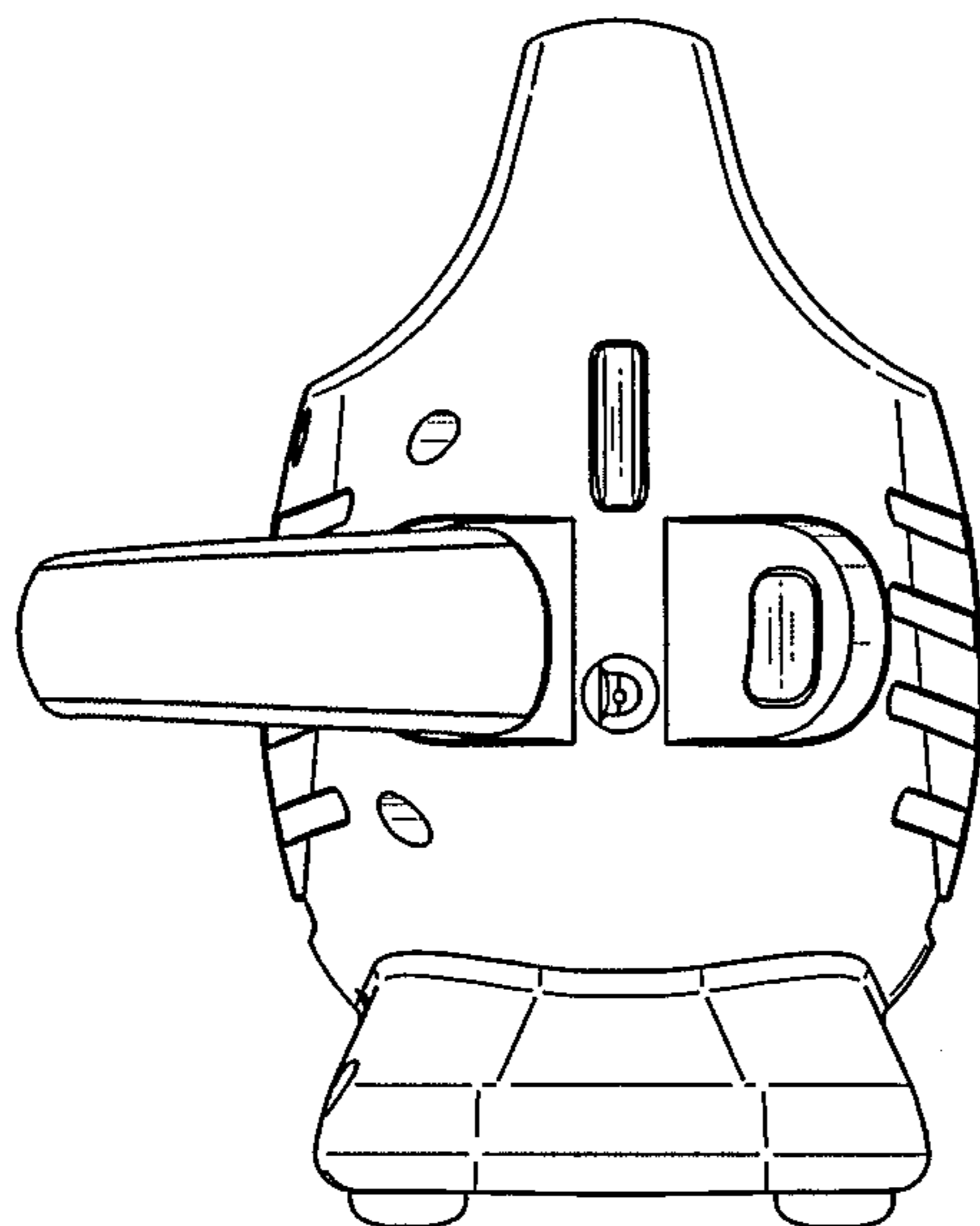


FIG. 5

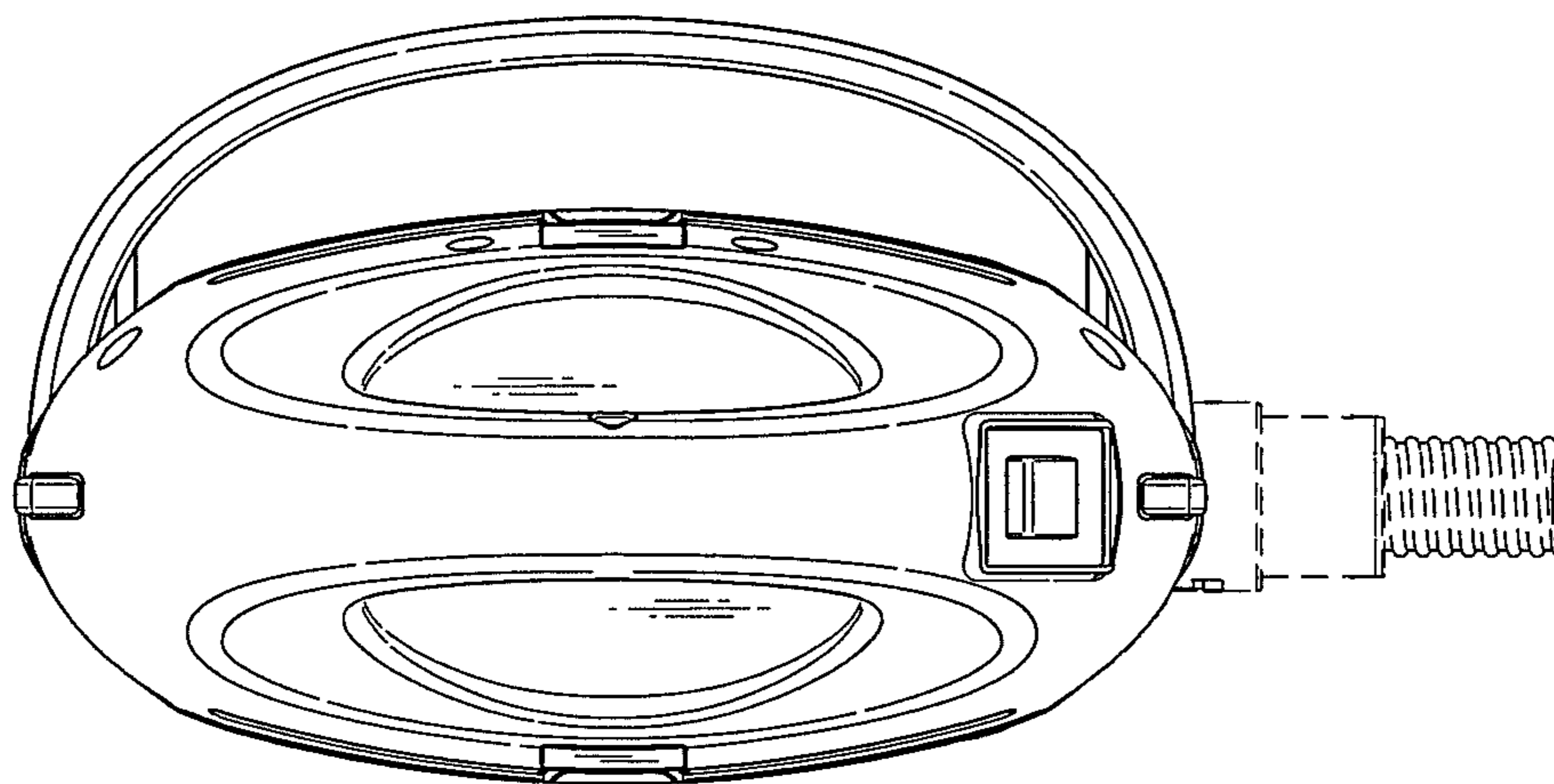


FIG. 6

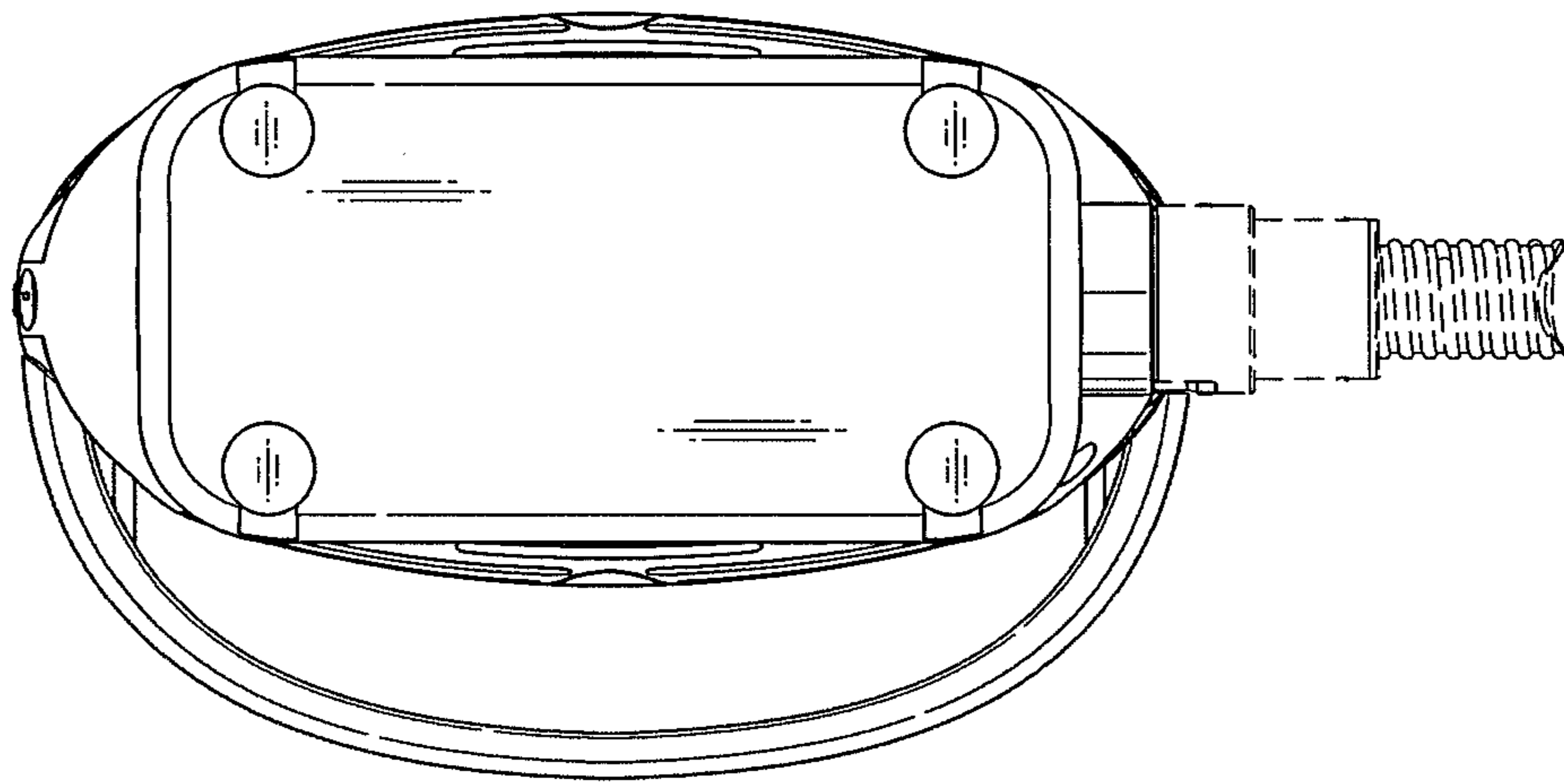


FIG. 7