



US00D698406S

(12) **United States Design Patent**
Ameis

(10) **Patent No.:** **US D698,406 S**

(45) **Date of Patent:** **** Jan. 28, 2014**

- (54) **KNIFE**
- (71) Applicant: **Sharon Ameis**, Arcade, NY (US)
- (72) Inventor: **Sharon Ameis**, Arcade, NY (US)
- (73) Assignee: **The Ontario Knife Company**,
Franklinville, NY (US)

6,848,184	B2	*	2/2005	Cheng	30/155
D561,554	S	*	2/2008	Taylor	D8/99
7,774,940	B2	*	8/2010	Frank	30/161
D636,051	S	*	4/2011	Freeman et al.	D22/118
D636,052	S	*	4/2011	Freeman et al.	D22/118
D636,053	S	*	4/2011	Freeman et al.	D22/118
D638,904	S	*	5/2011	Freeman et al.	D22/118
D639,632	S	*	6/2011	Freeman et al.	D8/99
D661,367	S	*	6/2012	Seeds et al.	D22/118

(**) Term: **14 Years**

* cited by examiner

(21) Appl. No.: **29/443,273**

Primary Examiner — Susan E Krakower

Assistant Examiner — Roselynn Cody

(22) Filed: **Jan. 15, 2013**

(74) *Attorney, Agent, or Firm* — Katherine H. McGuire,
Esq.; Woods Oviatt Gilman LLP

(51) **LOC (10) Cl.** **22-02**

(52) **U.S. Cl.**
USPC **D22/118**

(57) **CLAIM**

The ornamental design for a knife, as shown and described.

(58) **Field of Classification Search**
USPC D8/7, 12, 19, 20, 95, 97-100, 105, 107;
D22/118; D7/649, 650, 652; 7/118;
30/155, 158-161, 346, 351-352,
30/355-357

DESCRIPTION

FIG. 1 is a right side perspective view of a knife in accordance with the present invention;
 FIG. 2 is a right side elevational view thereof;
 FIG. 3 is a left side elevational thereof;
 FIG. 4 is a front elevational view thereof as when looking left to right in FIG. 2;
 FIG. 5 is a rear elevational view thereof as when looking right to left in FIG. 2;
 FIG. 6 is a top plan view thereof; and,
 FIG. 7 is a bottom plan view thereof.

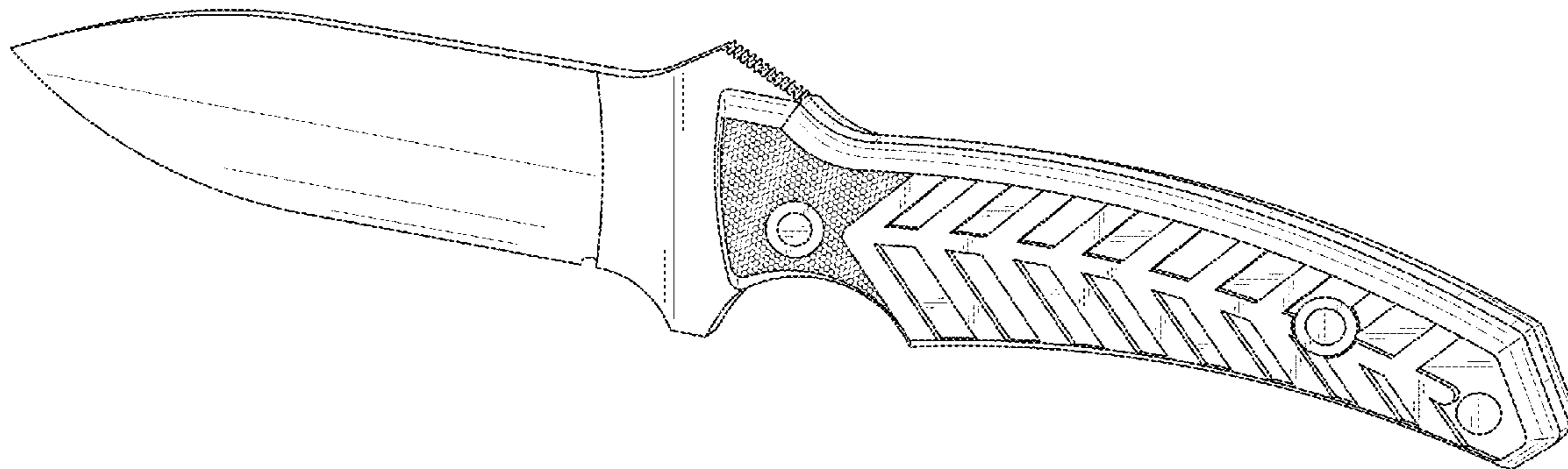
See application file for complete search history.

(56) **References Cited**

U.S. PATENT DOCUMENTS

D289,368	S	*	4/1987	Mann	D8/99
D373,521	S	*	9/1996	Applegate et al.	D8/99
D379,294	S	*	5/1997	Lum	D8/99
D422,477	S	*	4/2000	Elishewitz	D8/99
D427,043	S	*	6/2000	Cheng	D8/99

1 Claim, 5 Drawing Sheets



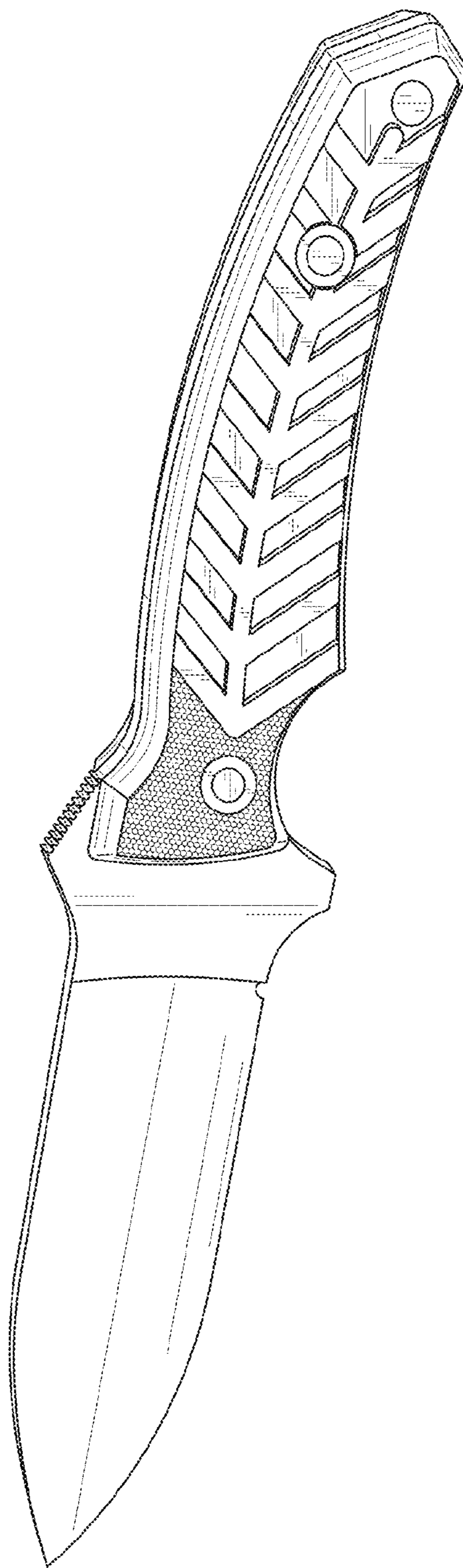


FIG. 1

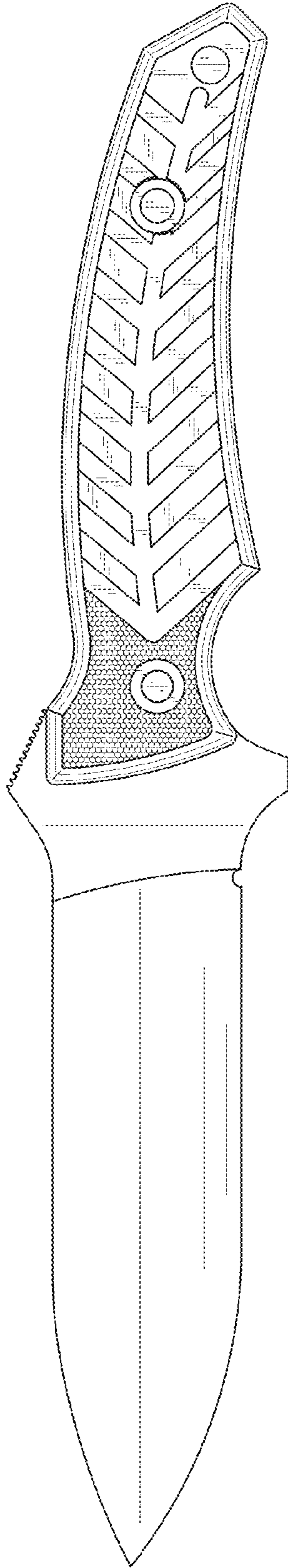


FIG. 2

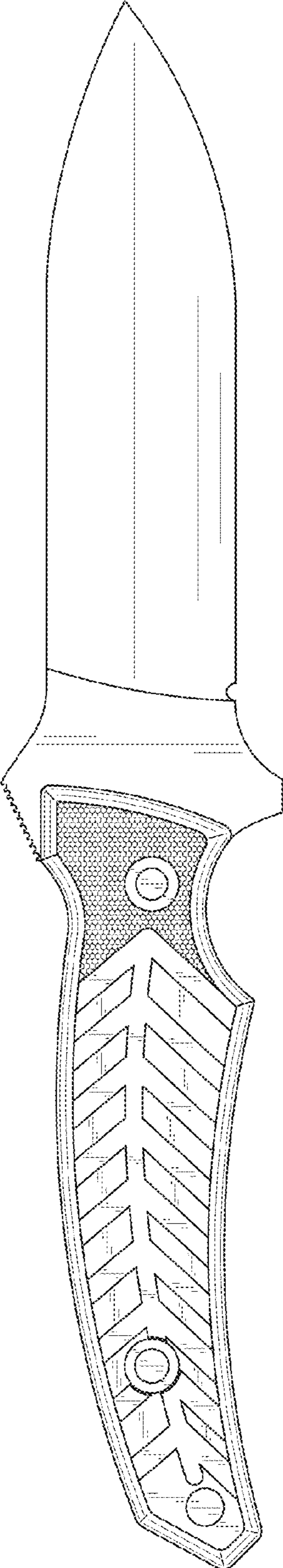


FIG. 3

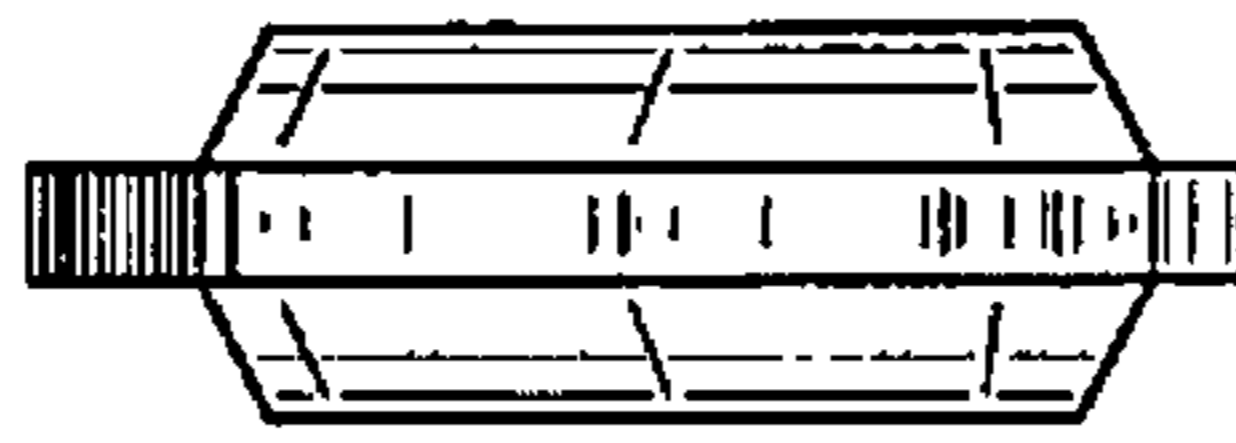


FIG. 5

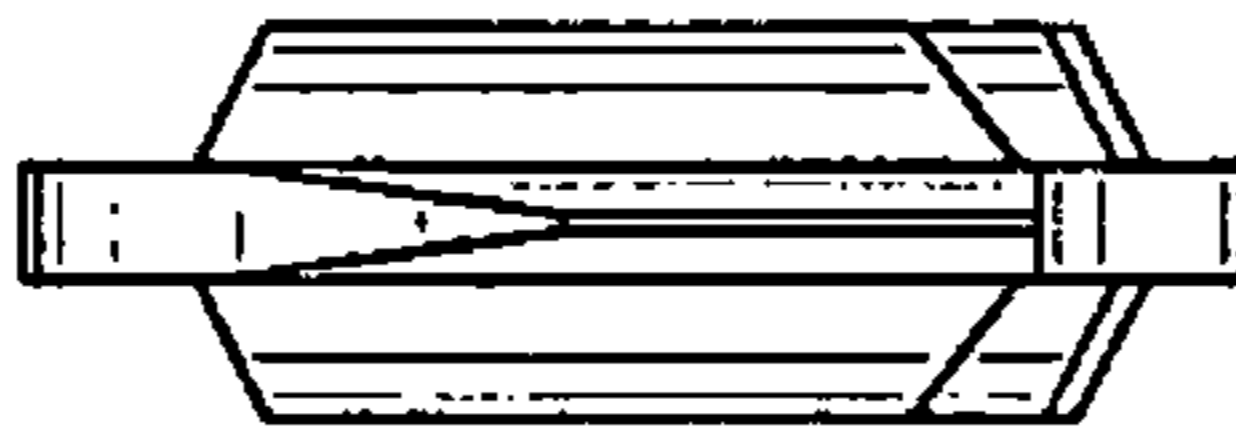


FIG. 4

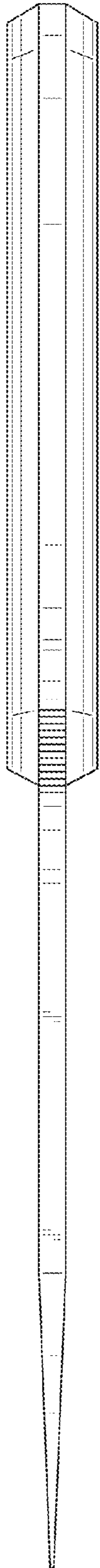


FIG. 6

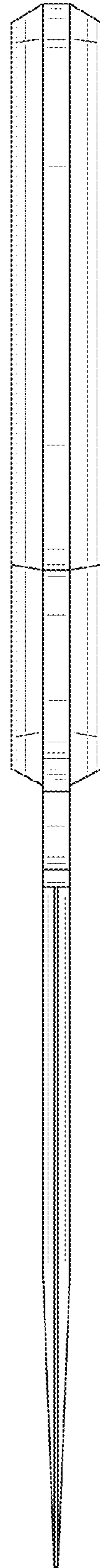


FIG. 7