



US00D698405S

(12) **United States Design Patent**
Kline

(10) **Patent No.:** **US D698,405 S**
(45) **Date of Patent:** **** Jan. 28, 2014**

(54) **HAND GRIP**

(76) Inventor: **Korey Kline**, Miami, FL (US)

(**) Term: **14 Years**

(21) Appl. No.: **29/431,968**

(22) Filed: **Sep. 12, 2012**

(51) **LOC (10) Cl.** **22-01**

(52) **U.S. Cl.**
USPC **D22/108**

(58) **Field of Classification Search**
USPC D22/100, 108, 199; D8/68;
42/71.01-74; 89/1.42
See application file for complete search history.

(56) **References Cited**

U.S. PATENT DOCUMENTS

7,992,336 B2 * 8/2011 Phillips 42/72
D648,412 S * 11/2011 Cook et al. D22/108
8,312,661 B2 * 11/2012 Ludlow 42/73

* cited by examiner

Primary Examiner — Michael A Pratt

(74) *Attorney, Agent, or Firm* — Mayback & Hoffman, P.A.;
Gregory L. Mayback

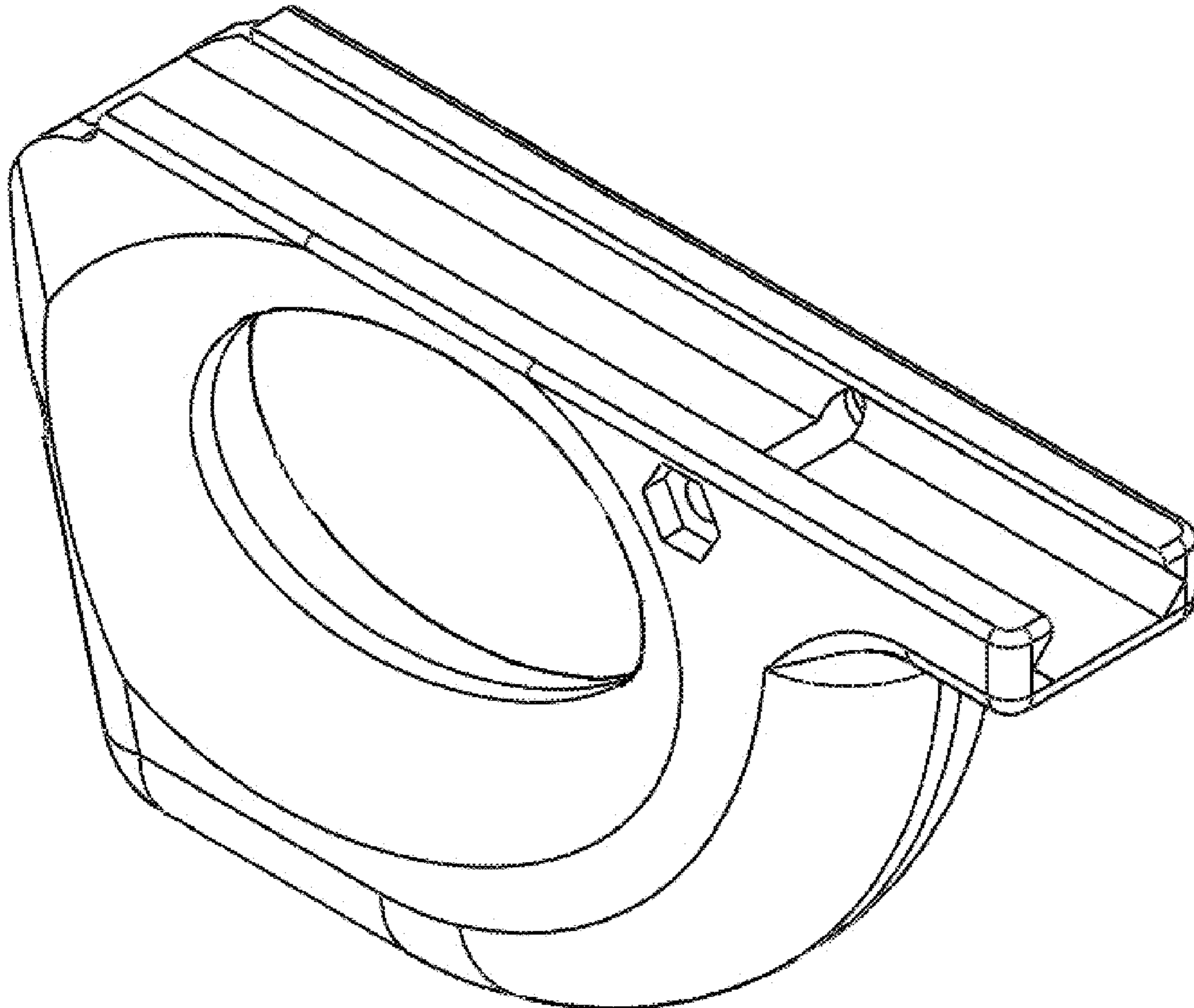
(57) **CLAIM**

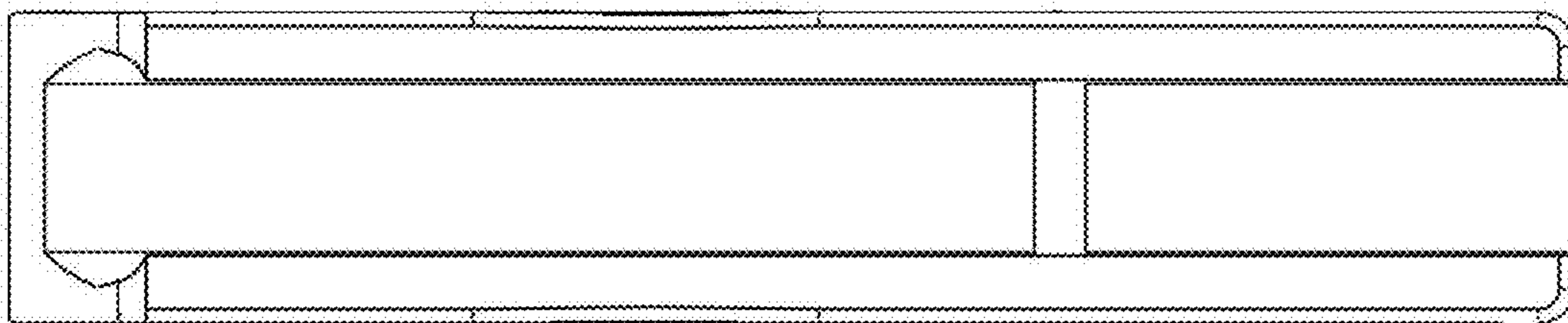
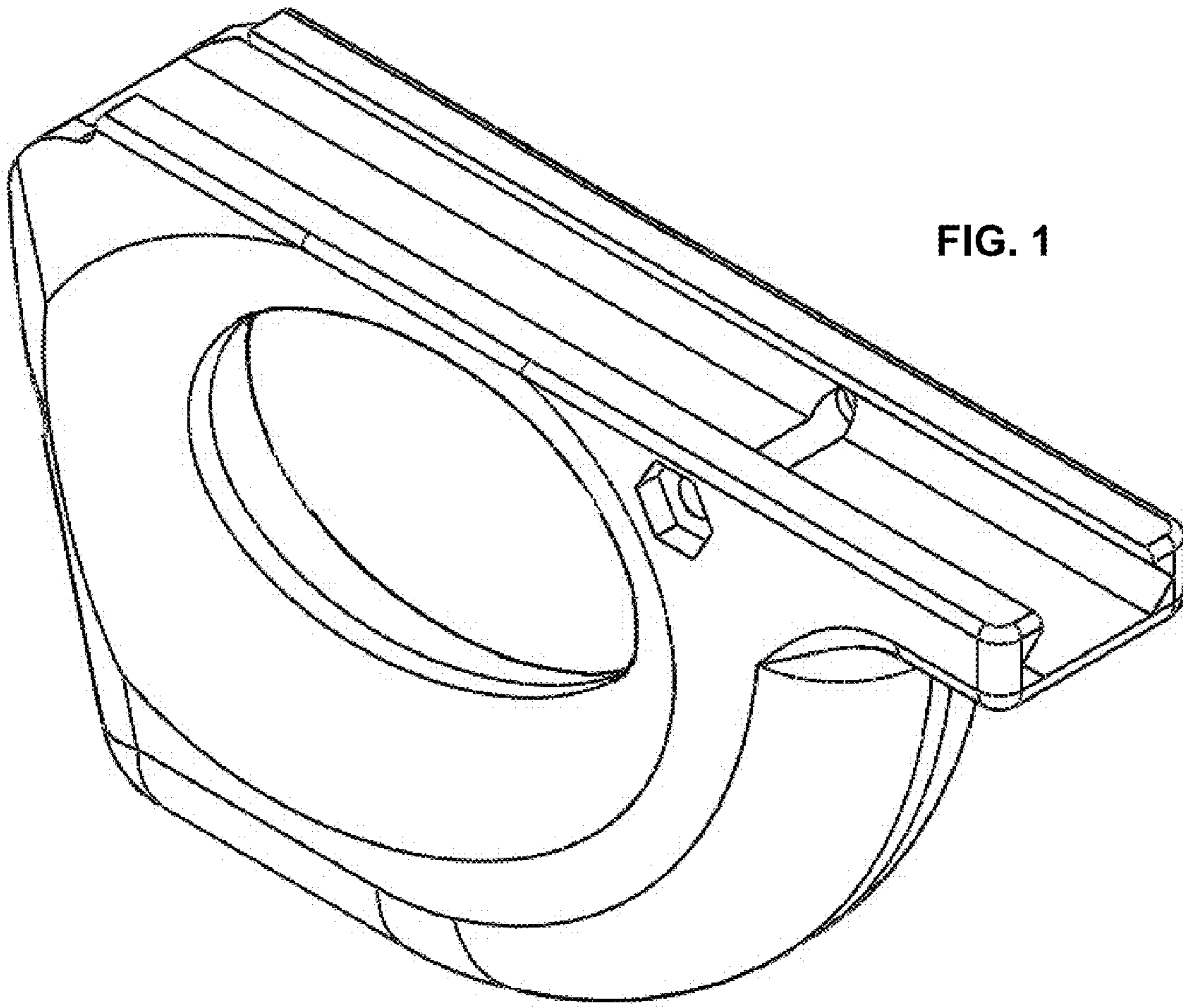
The ornamental design for a hand grip, as shown and described.

DESCRIPTION

FIG. 1 is a perspective view of a hand grip according to the present invention;
FIG. 2 is a top plan view of the hand grip of FIG. 1.
FIG. 3 is an elevational view of a first side of the hand grip of FIG. 1;
FIG. 4 is an elevational view of a second side of the hand grip of FIG. 1 opposite the view of FIG. 3;
FIG. 5 is an elevational view of a front side of the hand grip of FIG. 1; and,
FIG. 6 is an elevational view of a rear side of the hand grip of FIG. 1 opposite the view of FIG. 5.

1 Claim, 3 Drawing Sheets





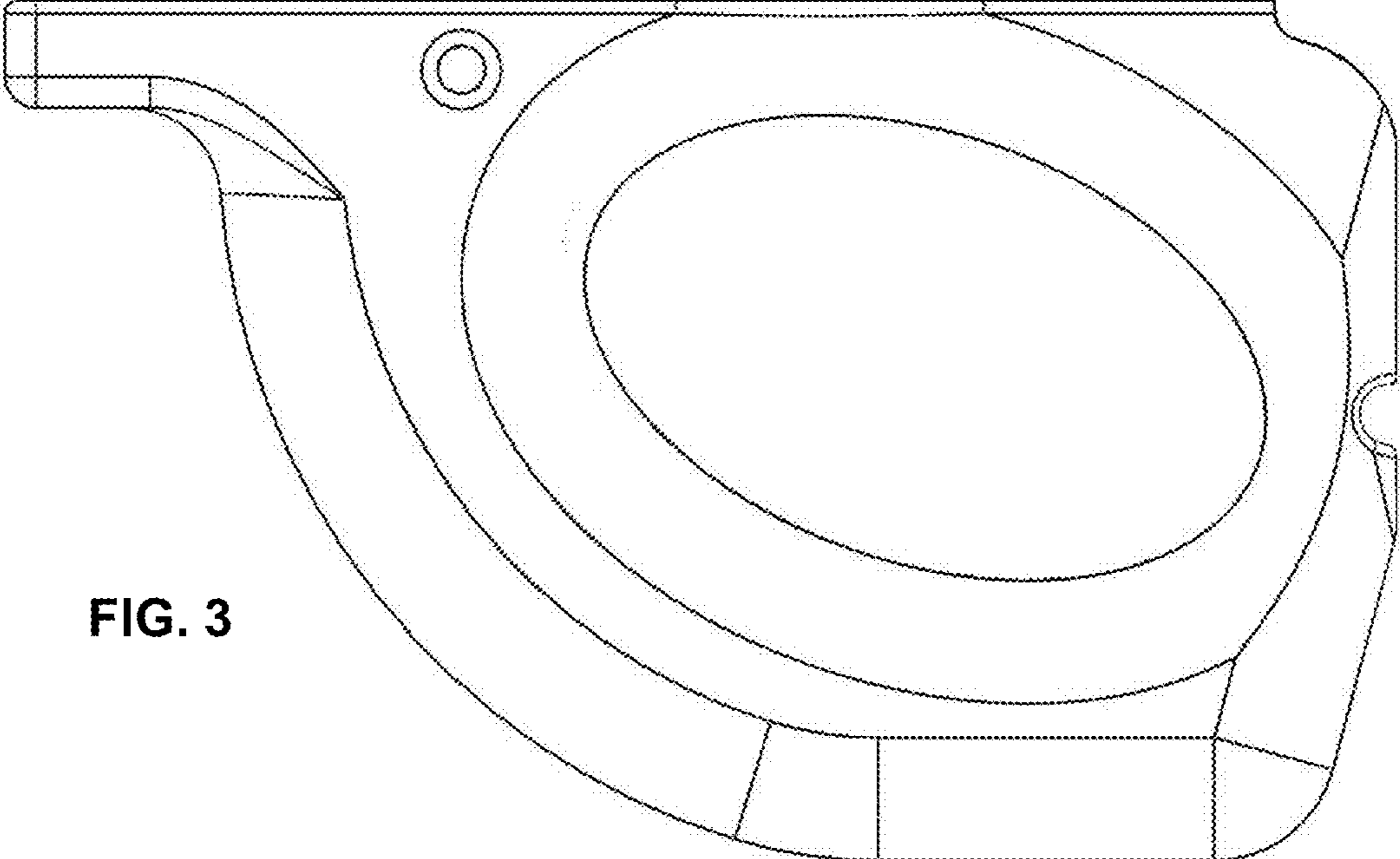


FIG. 3

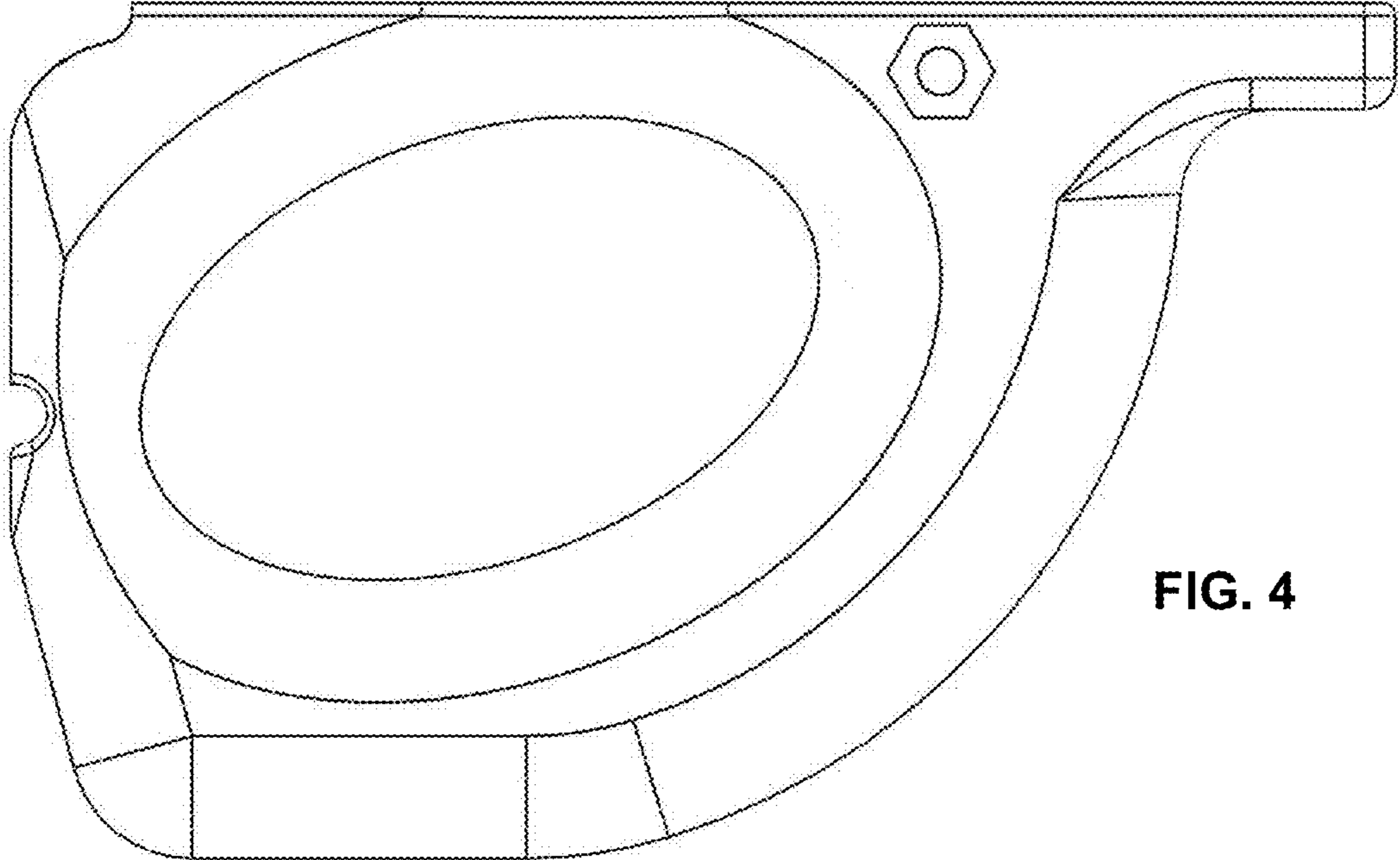


FIG. 4

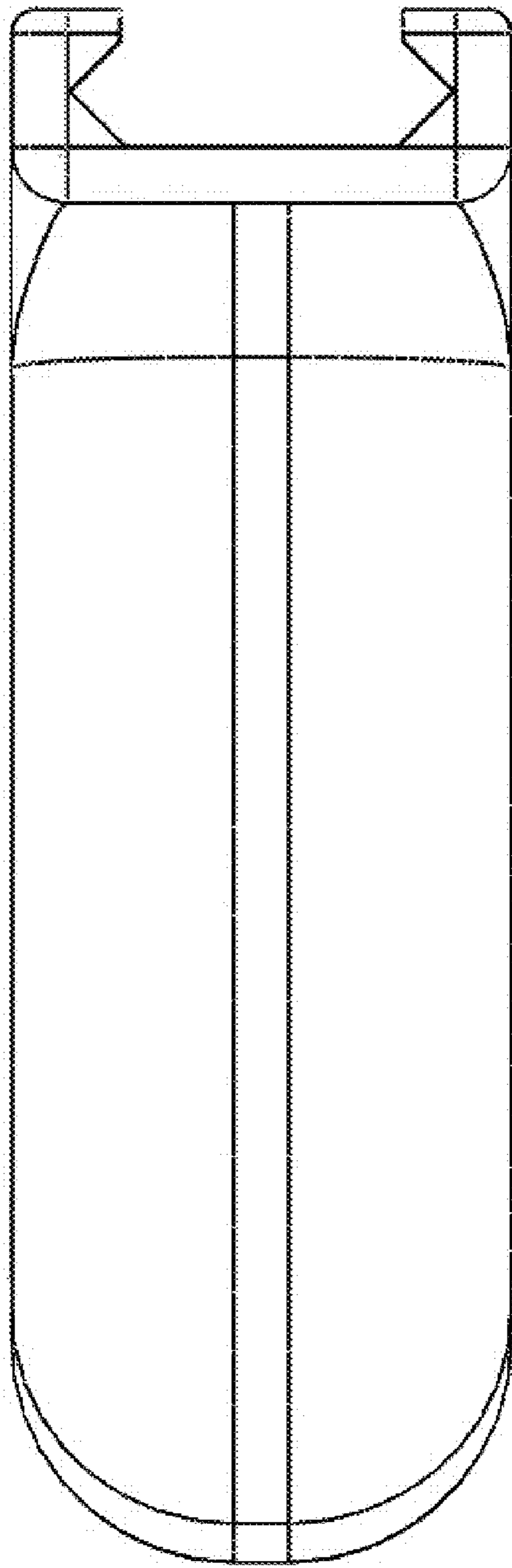


FIG. 5

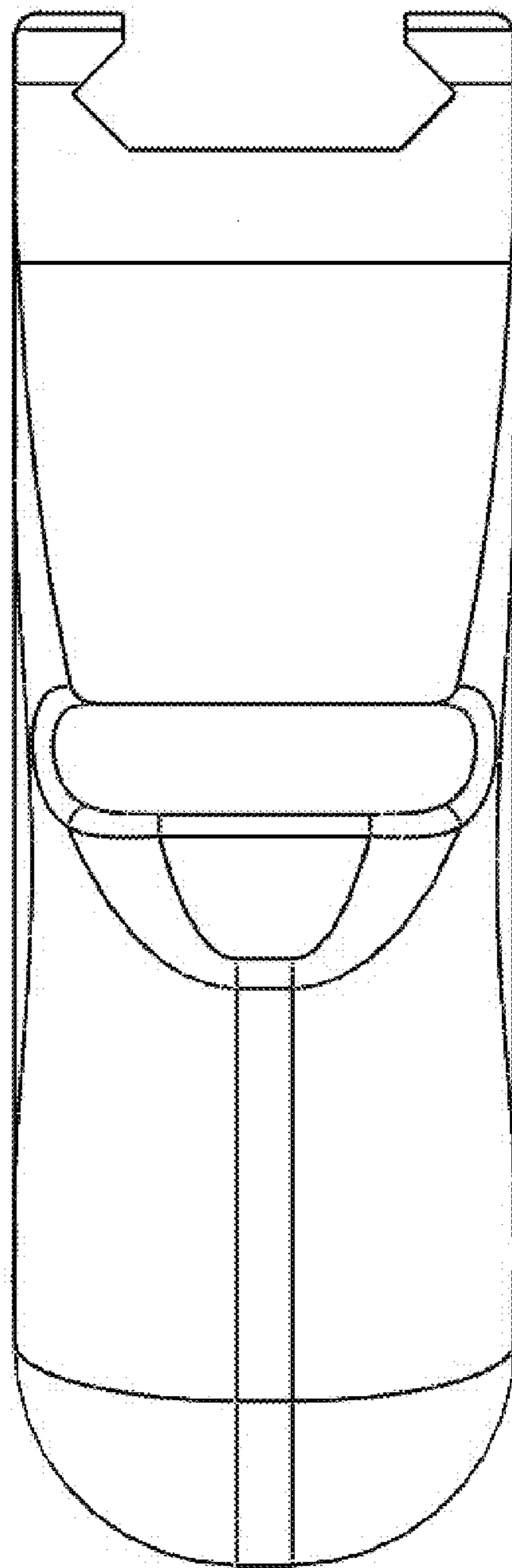


FIG. 6