



US00D698401S

(12) **United States Design Patent**  
**Ho et al.**

(10) **Patent No.:** **US D698,401 S**  
(45) **Date of Patent:** **\*\* Jan. 28, 2014**

(54) **WAIST AND HIP DEVELOPER DEVICE**

(71) Applicants: **Wei-Teh Ho**, Taipei (TW); **Willy Ho**, Taipei (TW)

(72) Inventors: **Wei-Teh Ho**, Taipei (TW); **Willy Ho**, Taipei (TW)

(\*\*) Term: **14 Years**

(21) Appl. No.: **29/442,407**

(22) Filed: **Feb. 25, 2013**

(51) **LOC (10) Cl.** ..... **21-02**

(52) **U.S. Cl.**  
USPC ..... **D21/689**; D21/688

(58) **Field of Classification Search**  
USPC ..... D21/662, 674, 676, 686, 687, 688, 689,  
D21/694, 695; 482/51, 71-72, 96, 112, 121,  
482/130-132, 140, 142  
See application file for complete search history.

(56) **References Cited**

**U.S. PATENT DOCUMENTS**

7,438,675 B2 \* 10/2008 Lin ..... 482/140  
D582,996 S \* 12/2008 Mehta ..... D21/689  
D603,001 S \* 10/2009 Wong ..... D21/688

7,625,323 B1 \* 12/2009 Lin ..... 482/112  
7,803,096 B2 \* 9/2010 Mehta ..... 482/140  
D647,153 S \* 10/2011 Mishan et al. .... D21/687  
D663,366 S \* 7/2012 Ho ..... D21/689  
D668,727 S \* 10/2012 Ho ..... D21/688  
2012/0238419 A1 \* 9/2012 Ho ..... 482/131

\* cited by examiner

*Primary Examiner* — Susan E Krakower

(74) *Attorney, Agent, or Firm* — Jackson IPG PLLC

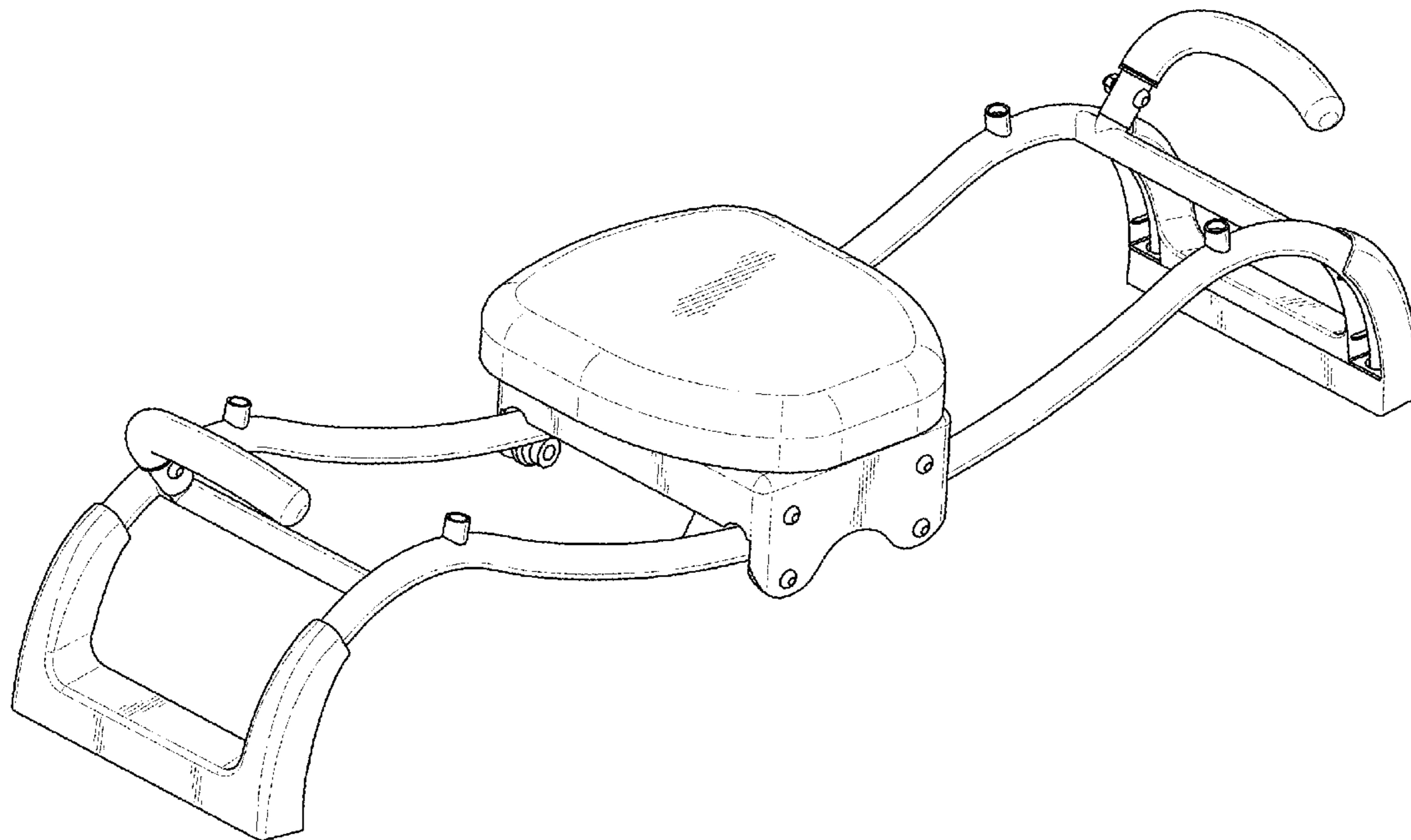
(57) **CLAIM**

I claim the ornamental design for a waist and hip developer device, as shown and described.

**DESCRIPTION**

FIG. 1 is a perspective view of a waist and hip developer device showing my new design;  
FIG. 2 is a front view thereof;  
FIG. 3 is a rear view thereof;  
FIG. 4 is a left side view thereof;  
FIG. 5 is a right side view thereof;  
FIG. 6 is a top plan view thereof; and,  
FIG. 7 is a bottom plan view thereof.  
The broken lines show portions of the device which form no part of the claimed design.

**1 Claim, 6 Drawing Sheets**



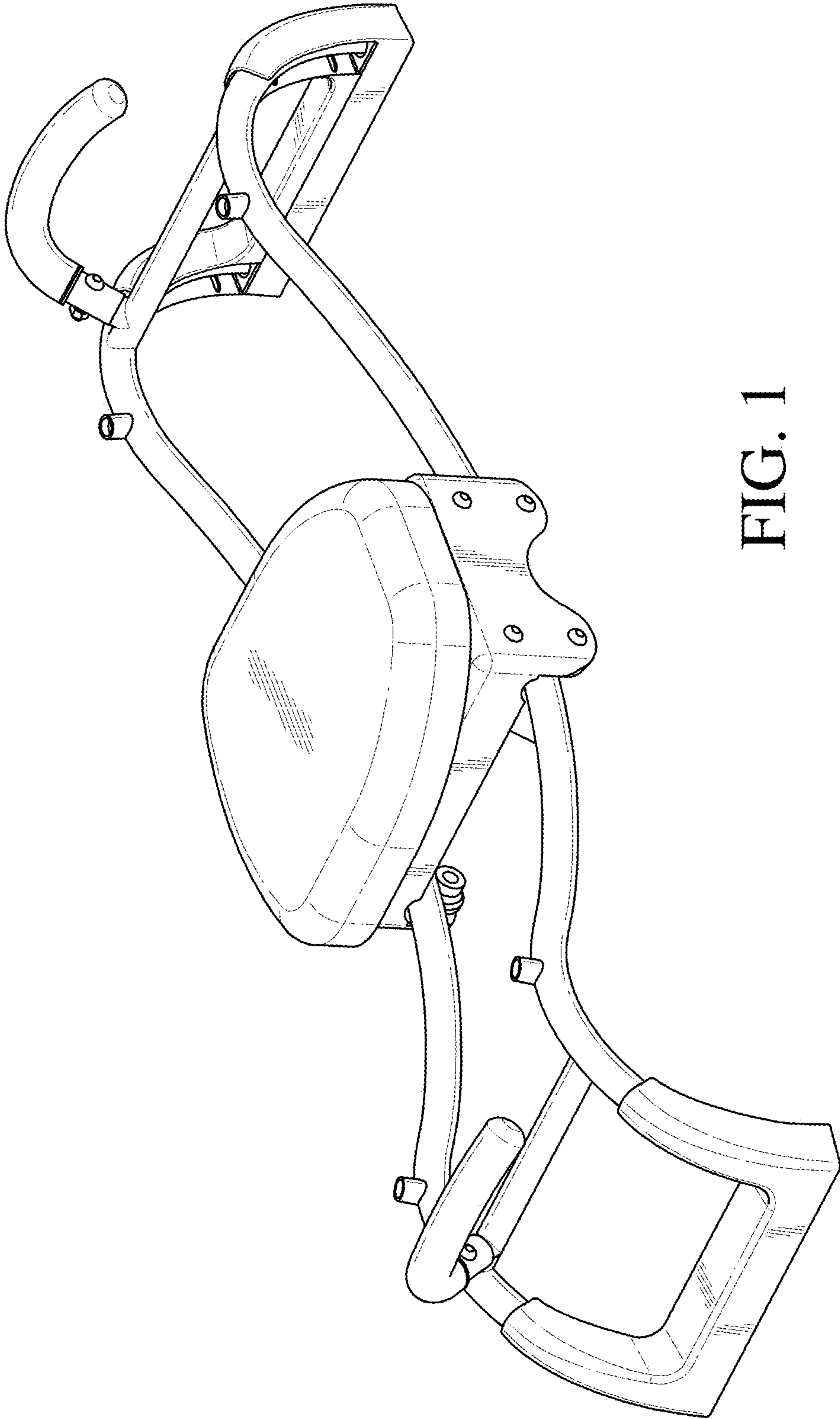


FIG. 1

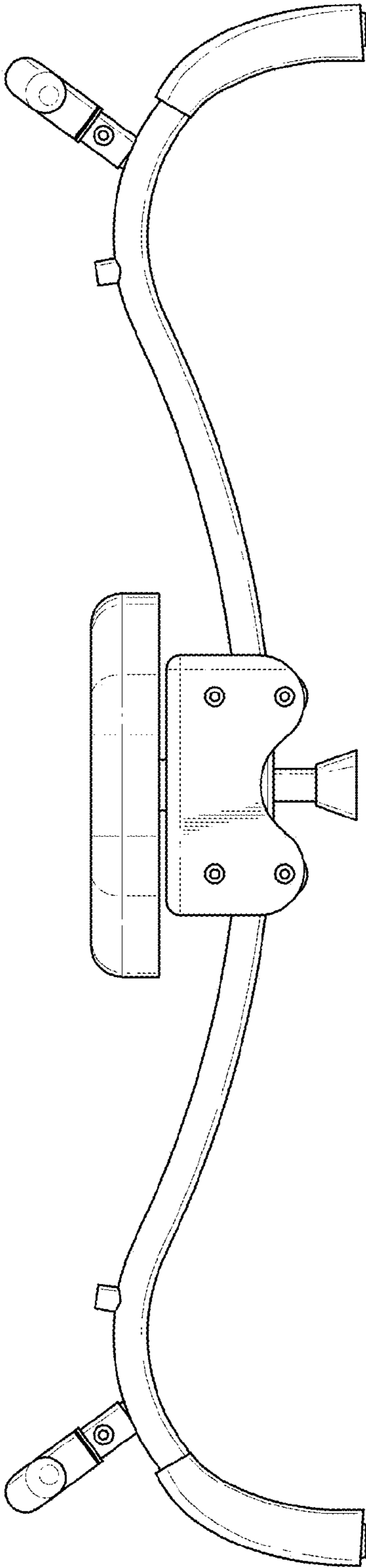


FIG. 2

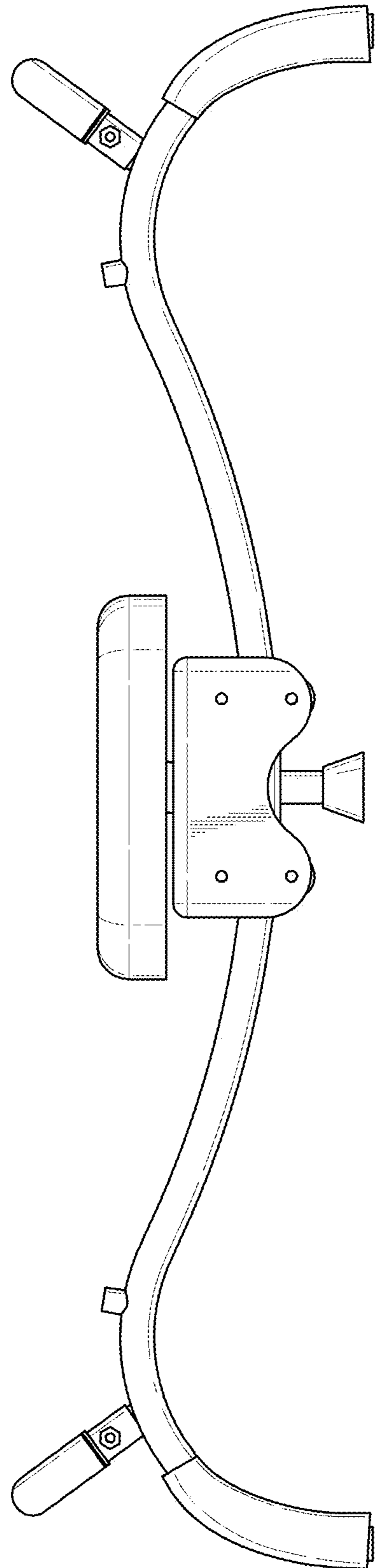


FIG. 3

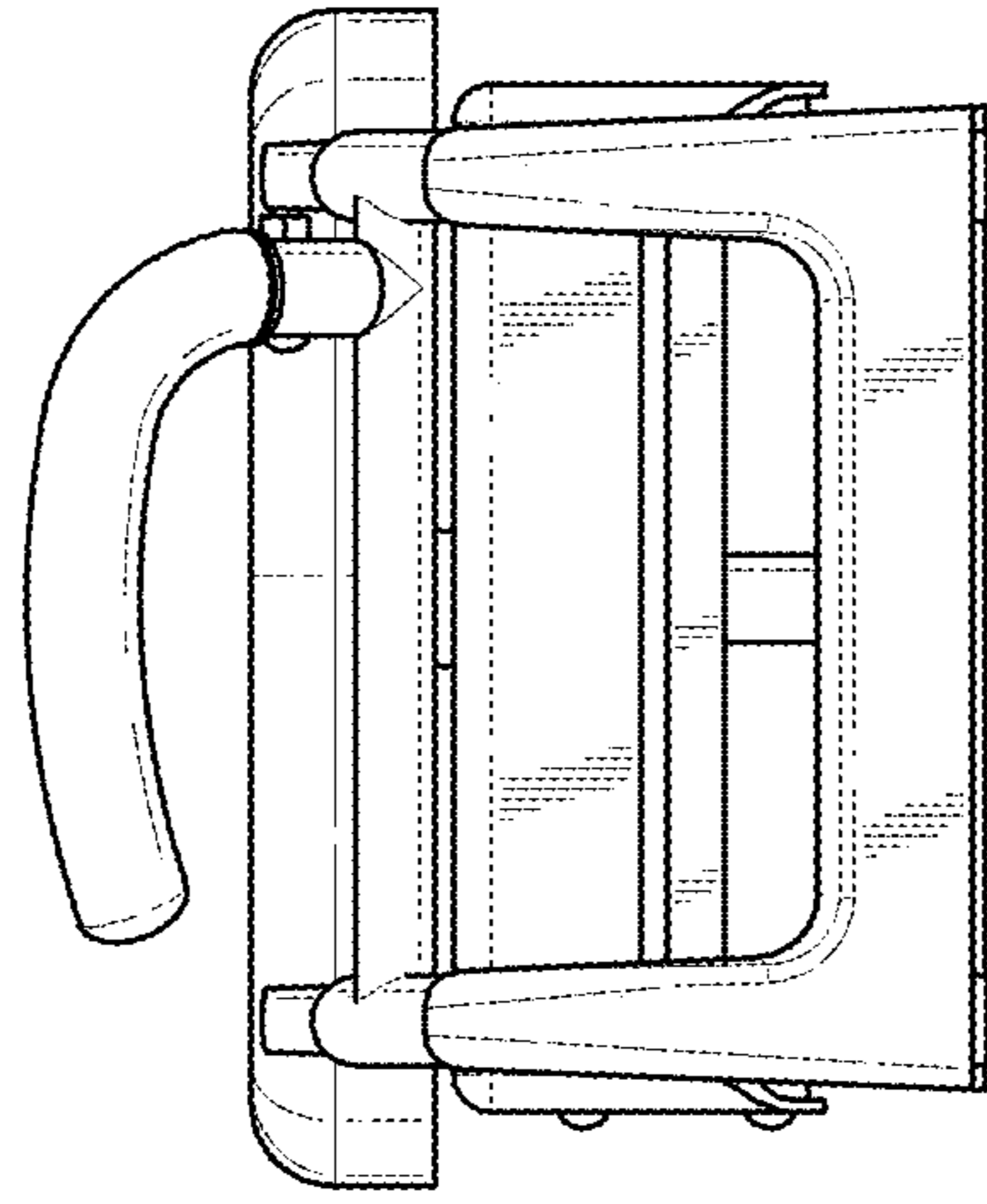


FIG. 5

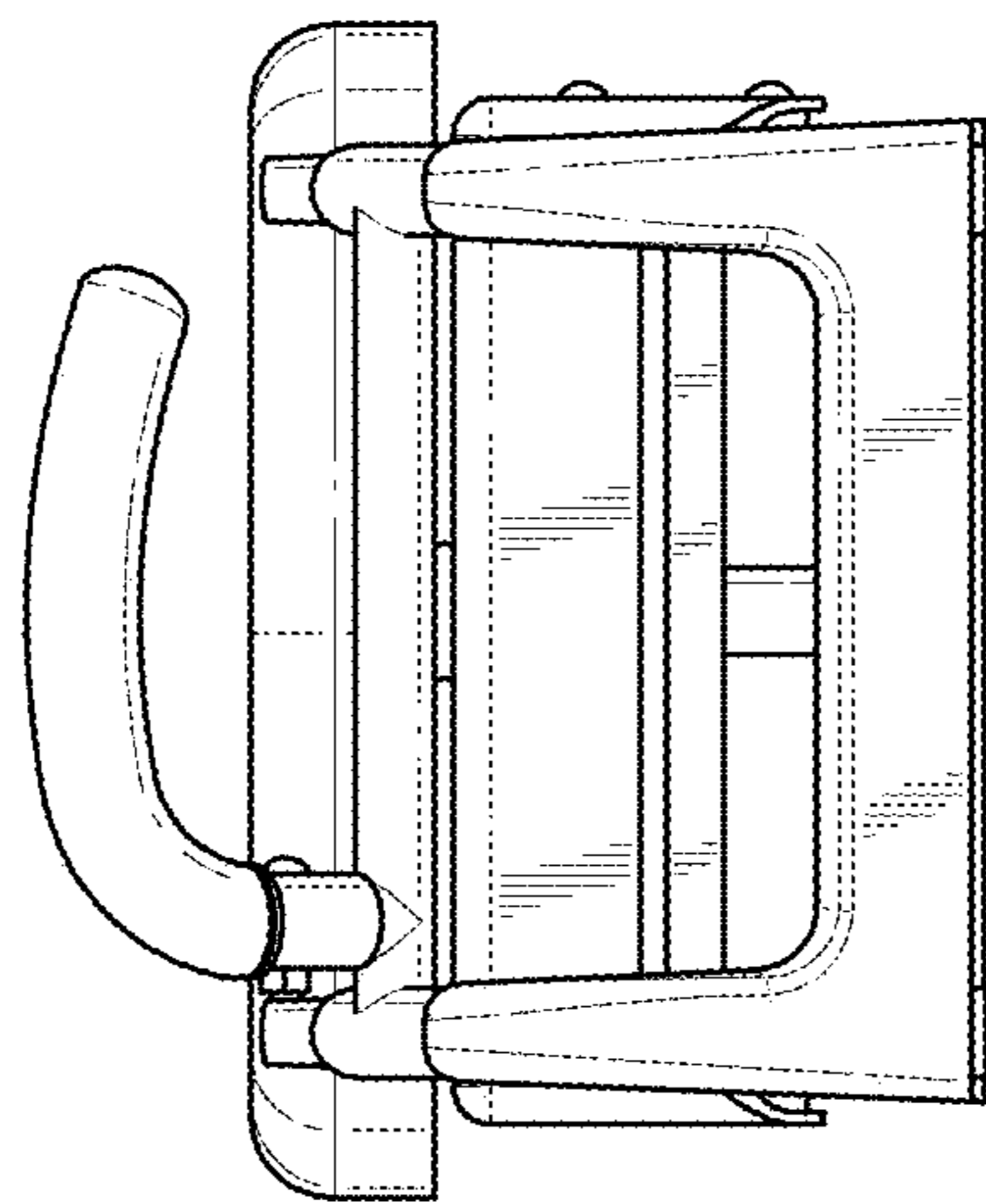


FIG. 4

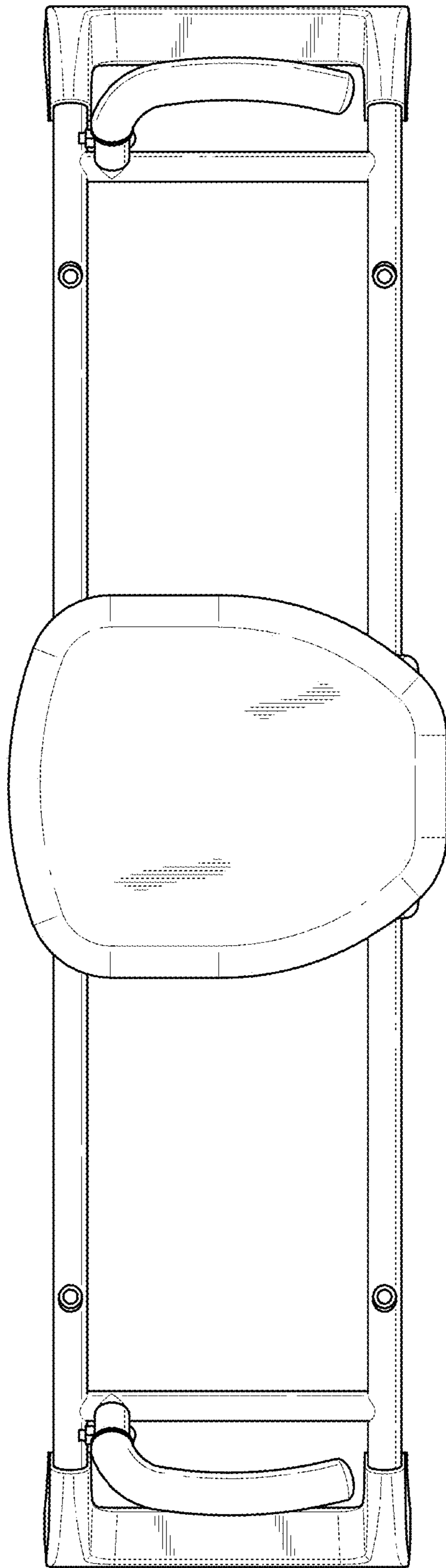


FIG. 6



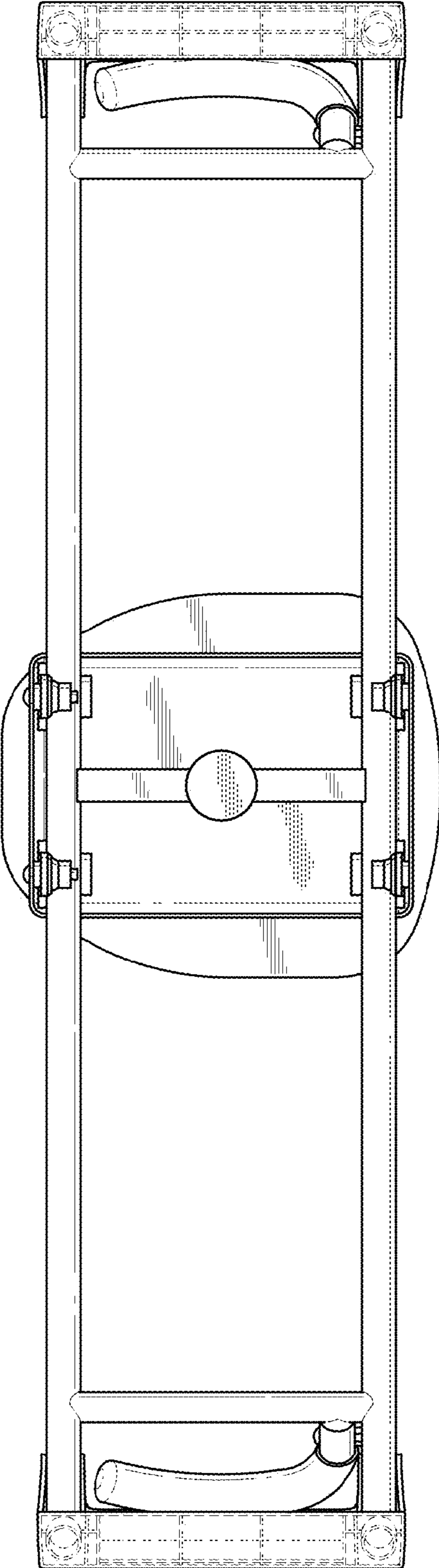


FIG. 7