



US00D698400S

(12) **United States Design Patent**  
**Potts**

(10) **Patent No.:** **US D698,400 S**  
(45) **Date of Patent:** **\*\* Jan. 28, 2014**

(54) **EXERCISE WEIGHT**

(71) Applicant: **Terence Scott Potts**, Hamilton (CA)

(72) Inventor: **Terence Scott Potts**, Hamilton (CA)

(\*\*) Term: **14 Years**

(21) Appl. No.: **29/450,957**

(22) Filed: **Mar. 26, 2013**

(51) **LOC (10) Cl.** ..... **21-02**

(52) **U.S. Cl.**  
USPC ..... **D21/680**

(58) **Field of Classification Search**  
USPC ..... D21/662, 678–681, 684, 686, 694;  
482/77, 92–94, 97, 98, 99, 100,  
482/106–108; D30/160  
See application file for complete search history.

(56) **References Cited**

U.S. PATENT DOCUMENTS

1,422,888	A	7/1922	Reeves et al.	
2,540,718	A	2/1951	Duskin	
3,265,389	A	8/1966	Carlson	
D217,318	S	4/1970	Walldorf	
D260,796	S *	9/1981	Uyeda	D21/694
D275,302	S	8/1984	Rotella	
4,712,793	A	12/1987	Harwick et al.	
4,880,229	A	11/1989	Broussard	
D315,936	S *	4/1991	Wilson et al.	D21/694
D326,211	S	5/1992	Allen	
D349,541	S	8/1994	Bertolucci et al.	
D374,047	S *	9/1996	Thielemann	D21/682
D394,685	S *	5/1998	Eckmann	D21/680
D409,695	S	5/1999	Rojas et al.	
D420,716	S	2/2000	Kiefer et al.	
6,050,925	A	4/2000	Irvin et al.	
D424,639	S *	5/2000	Rojas et al.	D21/680

D431,059	S	9/2000	Webber et al.	
6,126,579	A *	10/2000	Lin	482/98
D434,090	S *	11/2000	Wallace et al.	D21/680
6,206,810	B1	3/2001	Alessandri	
D451,159	S	11/2001	Rojas et al.	
D451,160	S	11/2001	Rojas et al.	
6,402,666	B2 *	6/2002	Krull	482/107
D462,729	S *	9/2002	Lawson	D21/680
6,497,639	B2	12/2002	Webber et al.	
D468,441	S	1/2003	Pham	
6,575,882	B2	6/2003	Chen	
D476,693	S	7/2003	Yuran	
D513,774	S	1/2006	Nudo	
D519,173	S	4/2006	Nalley	
D528,180	S	9/2006	Rathbun	

(Continued)

*Primary Examiner* — Susan E Krakower  
(74) *Attorney, Agent, or Firm* — Steven M. Greenberg, Esq.;  
Carey Rodriguez Greenberg O’Keefe, LLP

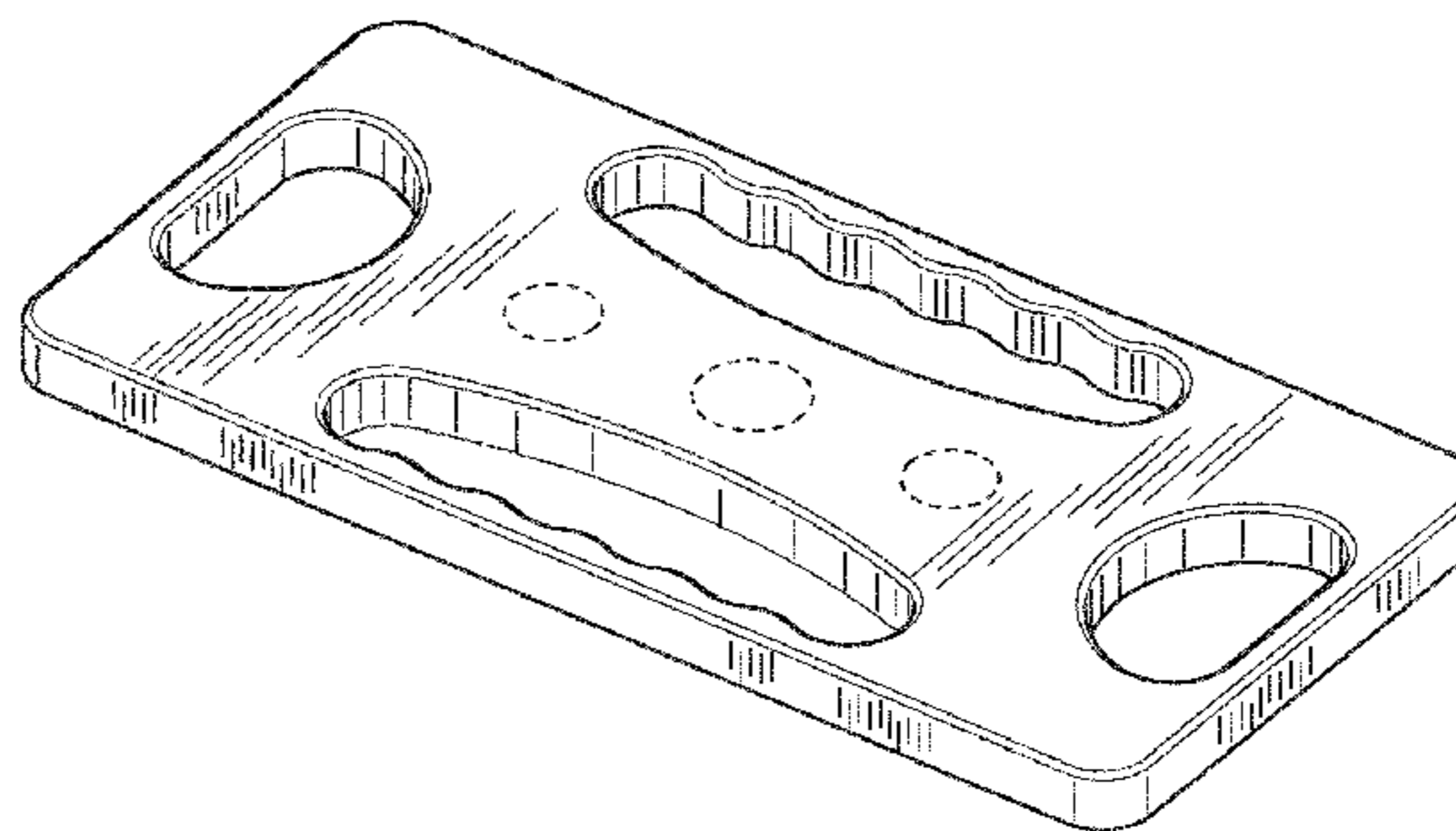
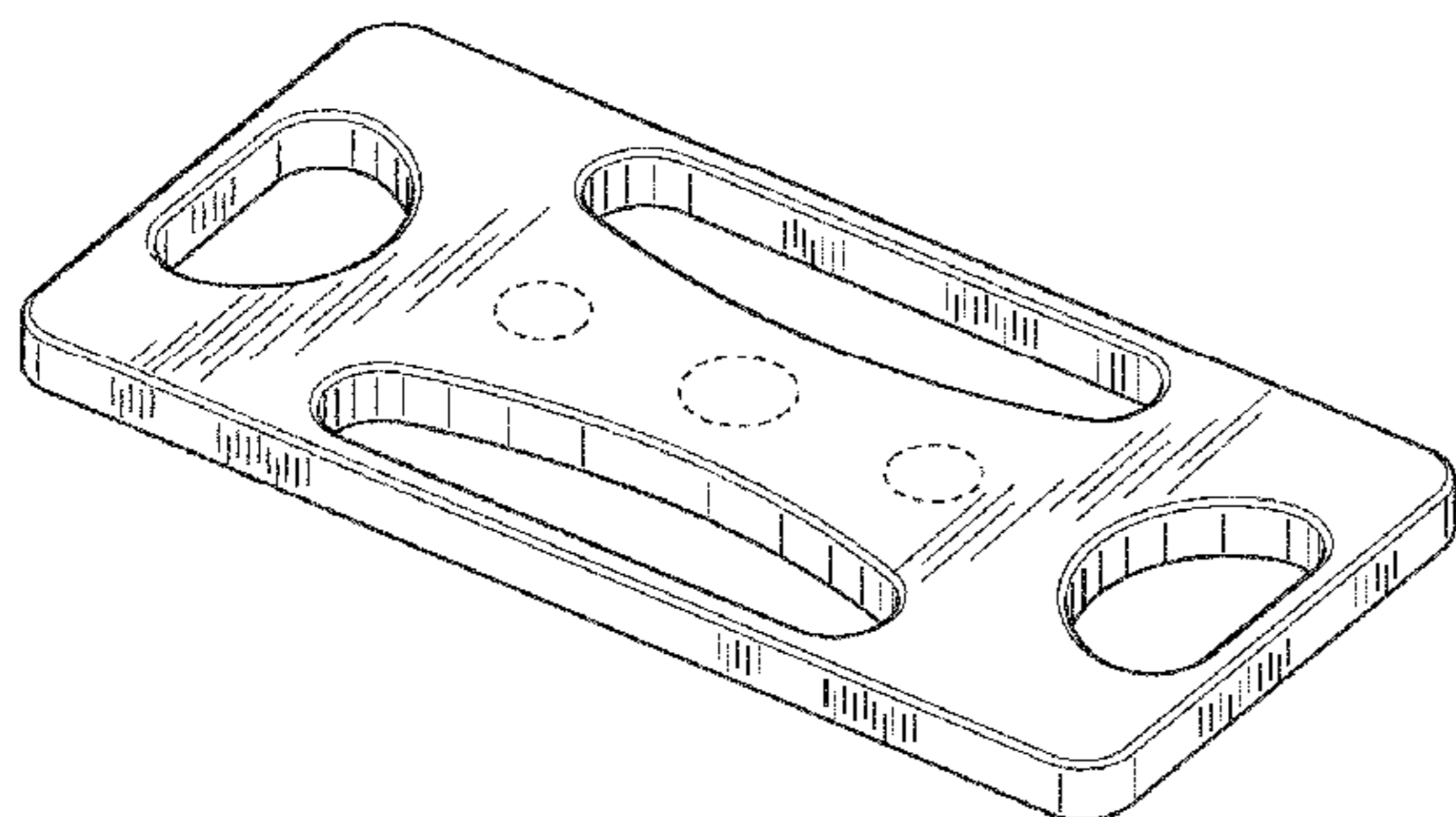
(57) **CLAIM**

The ornamental design for an exercise weight, as shown and described.

**DESCRIPTION**

FIG. 1 is a perspective view of a first embodiment of an exercise weight according to my new design.  
FIG. 2 is a side view of the exercise weight of FIG. 1.  
FIG. 3 is an end view of the exercise weight of FIG. 1.  
FIG. 4 is a top plan view of the exercise weight of FIG. 1.  
FIG. 5 is a perspective view of a second embodiment of an exercise weight according to my new design.  
FIG. 6 is a side view of the exercise weight of FIG. 5.  
FIG. 7 is an end view of the exercise weight of FIG. 5; and,  
FIG. 8 is a top plan view of the exercise weight of FIG. 5.  
The broken lines illustrate portions of the exercise weight which form no part of the claimed design.

**1 Claim, 2 Drawing Sheets**



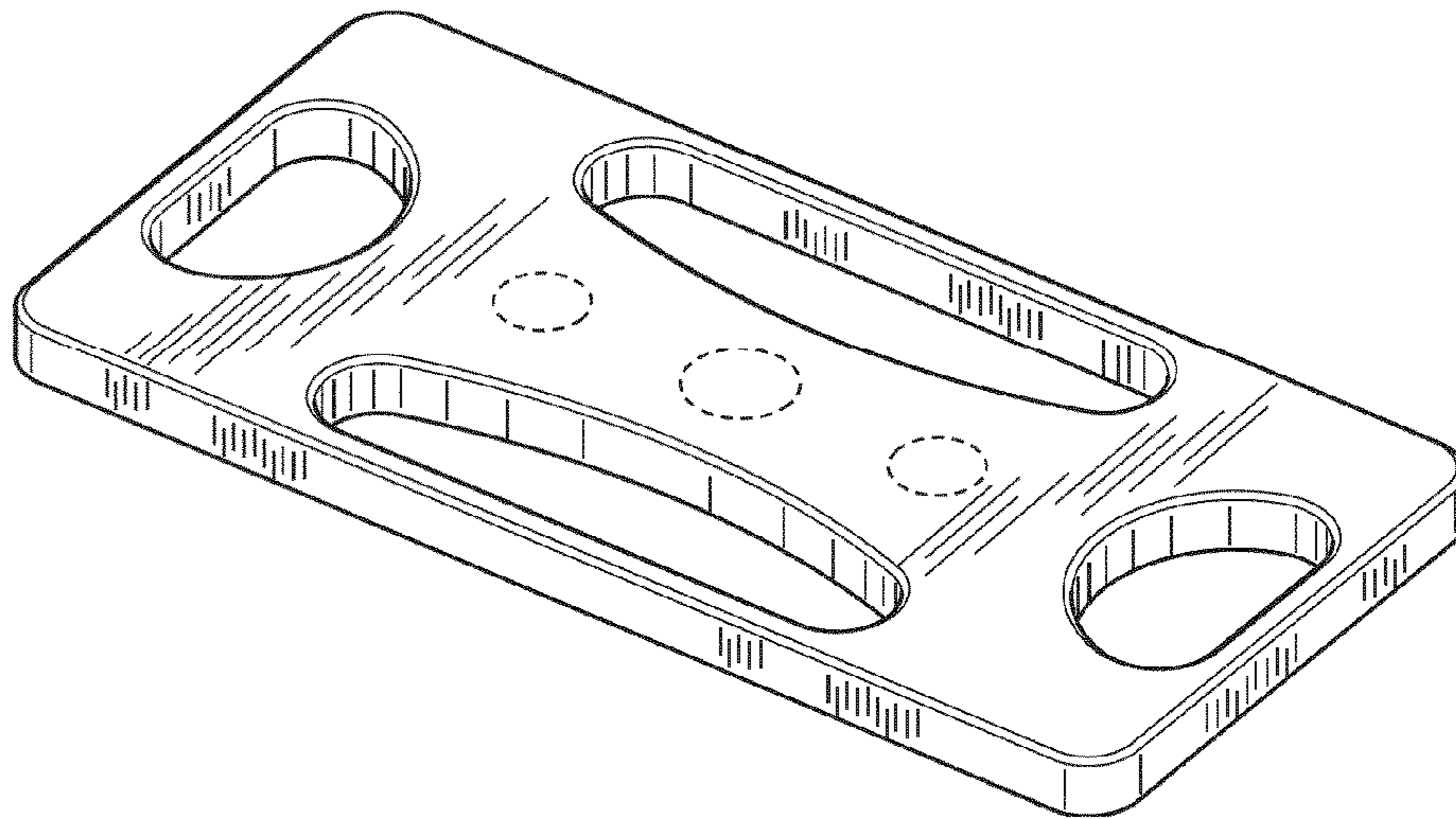
(56)

**References Cited**

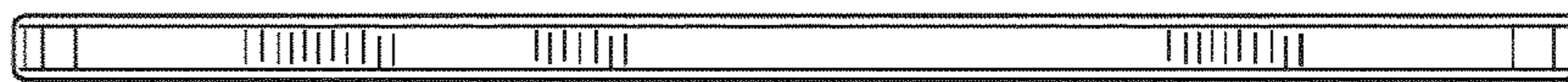
U.S. PATENT DOCUMENTS

D534,232 S	12/2006	Rathbun	D580,974 S	11/2008	Hammad
D542,024 S	5/2007	Bulgari	D590,030 S	4/2009	Manderbacka
D553,675 S	10/2007	Hogg	D590,457 S	4/2009	Mishan
D556,842 S *	12/2007	Webber ..... D21/694	D599,149 S	9/2009	White
D558,756 S	1/2008	Andre et al.	7,608,021 B1	10/2009	Nalley
D558,757 S	1/2008	Andre et al.	7,608,023 B2	10/2009	Casagrande
D562,416 S	2/2008	Fedriga et al.	D630,687 S	1/2011	Meinel
D568,389 S	5/2008	Hammad	D643,075 S *	8/2011	Childs ..... D21/680
D568,423 S	5/2008	Y'shua et al.	8,052,587 B1	11/2011	Wu
D572,752 S	7/2008	Hammad	8,137,248 B1	3/2012	Krull
D575,815 S	8/2008	Hammad et al.	D665,469 S	8/2012	Zabel
			D673,405 S	1/2013	Huss et al.
			2002/0025888 A1	2/2002	Germanton et al.
			2002/0027837 A1	3/2002	Weber

\* cited by examiner



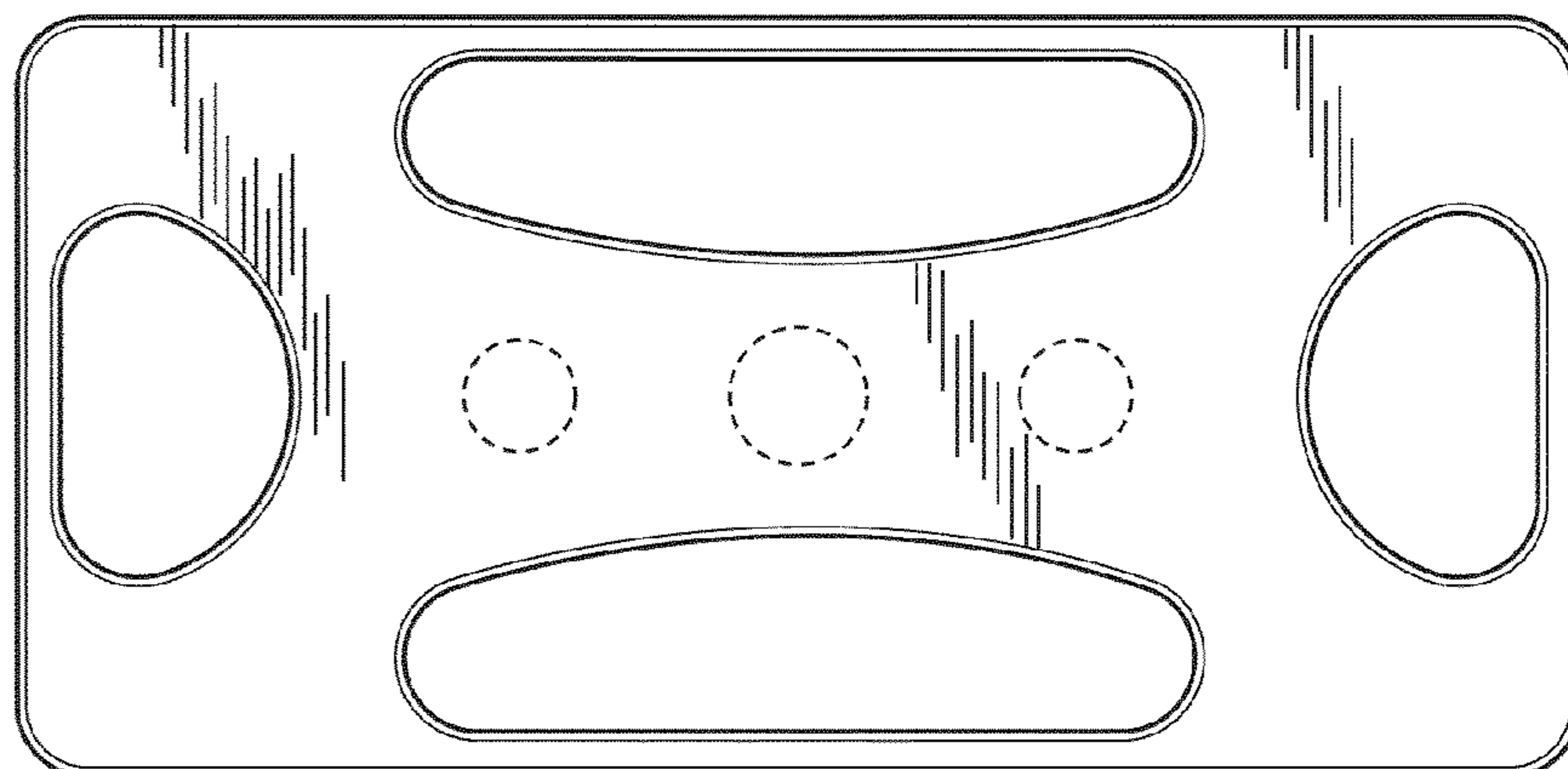
**FIG. 1**



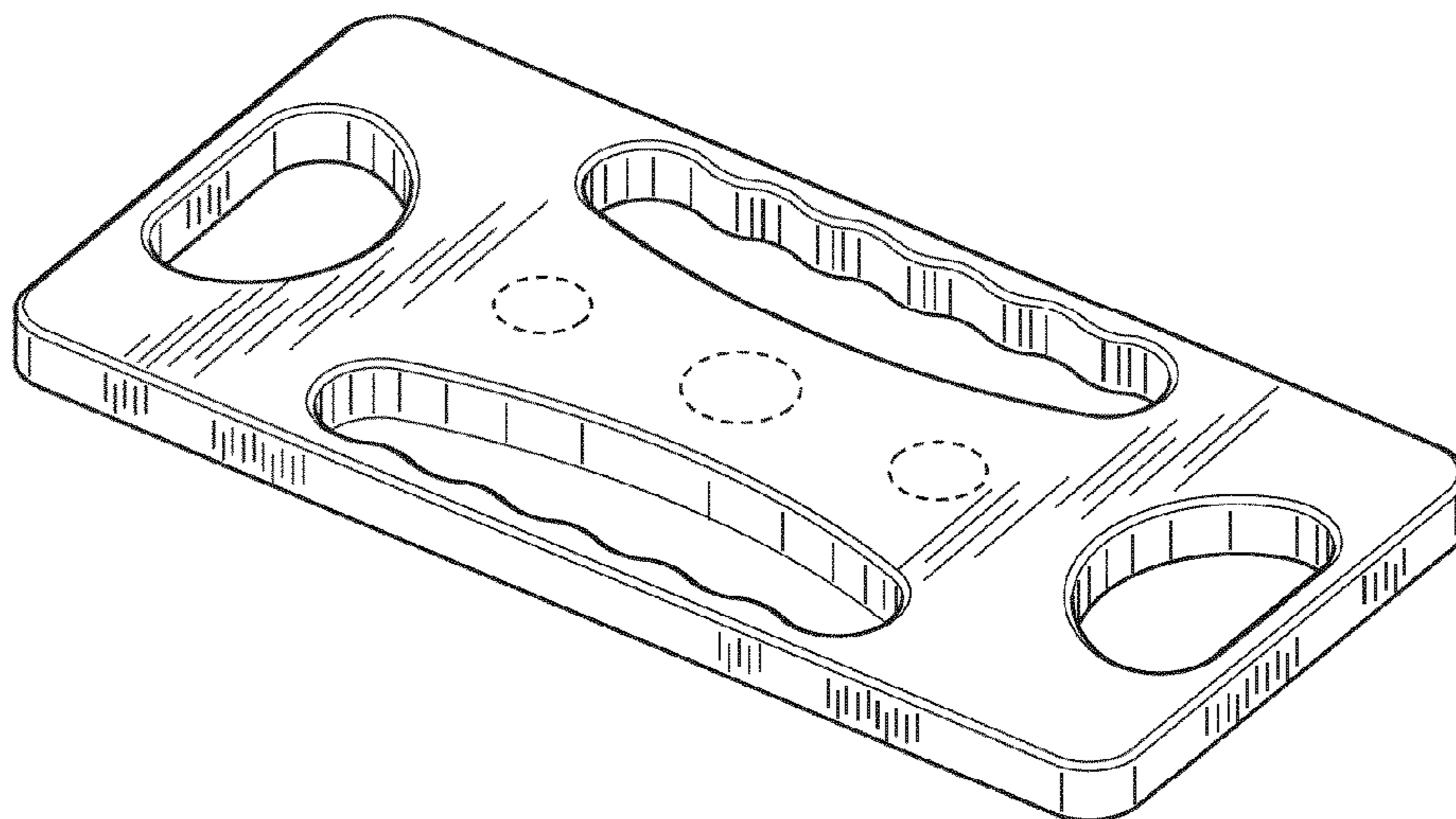
**FIG. 2**



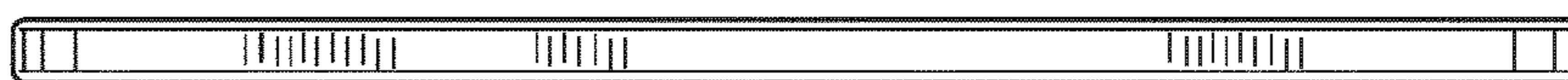
**FIG. 3**



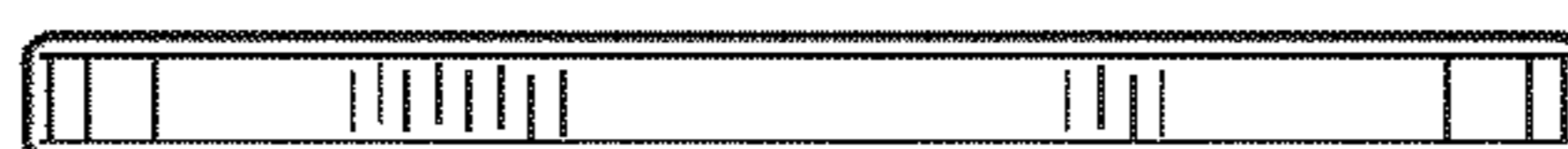
**FIG. 4**



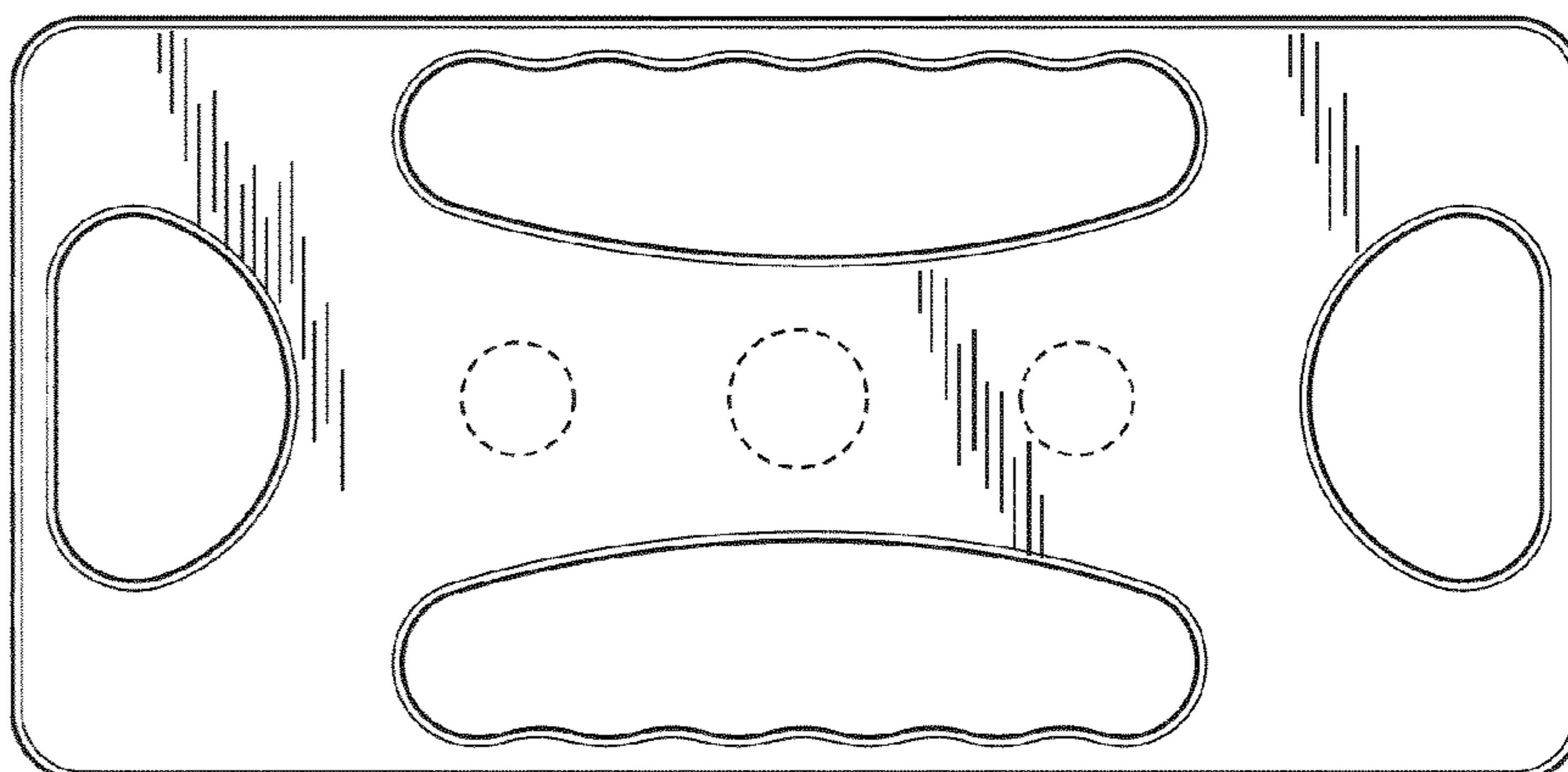
**FIG. 5**



**FIG. 6**



**FIG. 7**



**FIG. 8**