



US00D698390S

(12) **United States Design Patent**  
**Shimizu**

(10) **Patent No.:** **US D698,390 S**

(45) **Date of Patent:** **\*\* Jan. 28, 2014**

(54) **MECHANICAL PENCIL**

(71) Applicant: **Pentel Kabushiki Kaisha**, Tokyo (JP)

(72) Inventor: **Kazuhisa Shimizu**, Tokyo (JP)

(73) Assignee: **Pentel Kabushiki Kaisha** (JP)

(\*\*) Term: **14 Years**

(21) Appl. No.: **29/434,871**

(22) Filed: **Oct. 17, 2012**

(30) **Foreign Application Priority Data**

Apr. 20, 2012 (JP) ..... 2012-009267

(51) **LOC (10) Cl.** ..... **19-06**

(52) **U.S. Cl.**  
USPC ..... **D19/48**

(58) **Field of Classification Search**  
USPC ..... D14/411; D19/35, 36, 41-51, 53-58;  
24/11 R, 11 F, 11 P; 401/52, 99-109,  
401/192, 195, 196  
See application file for complete search history.

(56) **References Cited**

**U.S. PATENT DOCUMENTS**

D269,189 S *	5/1983	Sakaoka	.....	D19/48
D284,582 S *	7/1986	Bruhn	.....	D19/48
D312,837 S *	12/1990	Oka	.....	D19/51
D362,020 S *	9/1995	Waldinger	.....	D19/48
D385,915 S *	11/1997	Shimizu	.....	D19/48
D404,070 S *	1/1999	Hasegawa	.....	D19/51
D421,052 S *	2/2000	Yazawa	.....	D19/48
D451,545 S *	12/2001	Tsuchikura	.....	D19/36
D452,274 S *	12/2001	Keda	.....	D19/51
D453,790 S *	2/2002	Tsuchikura	.....	D19/36

D457,563 S *	5/2002	Moon	.....	D19/48
D512,098 S *	11/2005	Qiu	.....	D19/48
D512,457 S *	12/2005	Anand	.....	D19/48
D534,586 S *	1/2007	Togawa	.....	D19/50
D594,059 S *	6/2009	Shibata	.....	D19/48
D603,897 S *	11/2009	Nakazawa	.....	D19/49
D616,497 S *	5/2010	Shiina	.....	D19/48
D630,247 S *	1/2011	Shimizu	.....	D19/50
D648,789 S *	11/2011	Shibata	.....	D19/48
D648,790 S *	11/2011	Nakazawa	.....	D19/50
D663,301 S *	7/2012	Lien	.....	D14/411
D667,882 S *	9/2012	Uchiyama et al.	.....	D19/50
D687,098 S *	7/2013	Shibata	.....	D19/51

\* cited by examiner

*Primary Examiner* — Elizabeth Albert

(74) *Attorney, Agent, or Firm* — Adams & Wilks

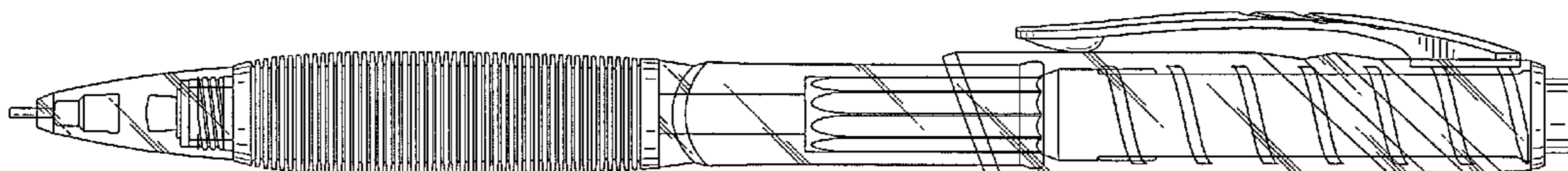
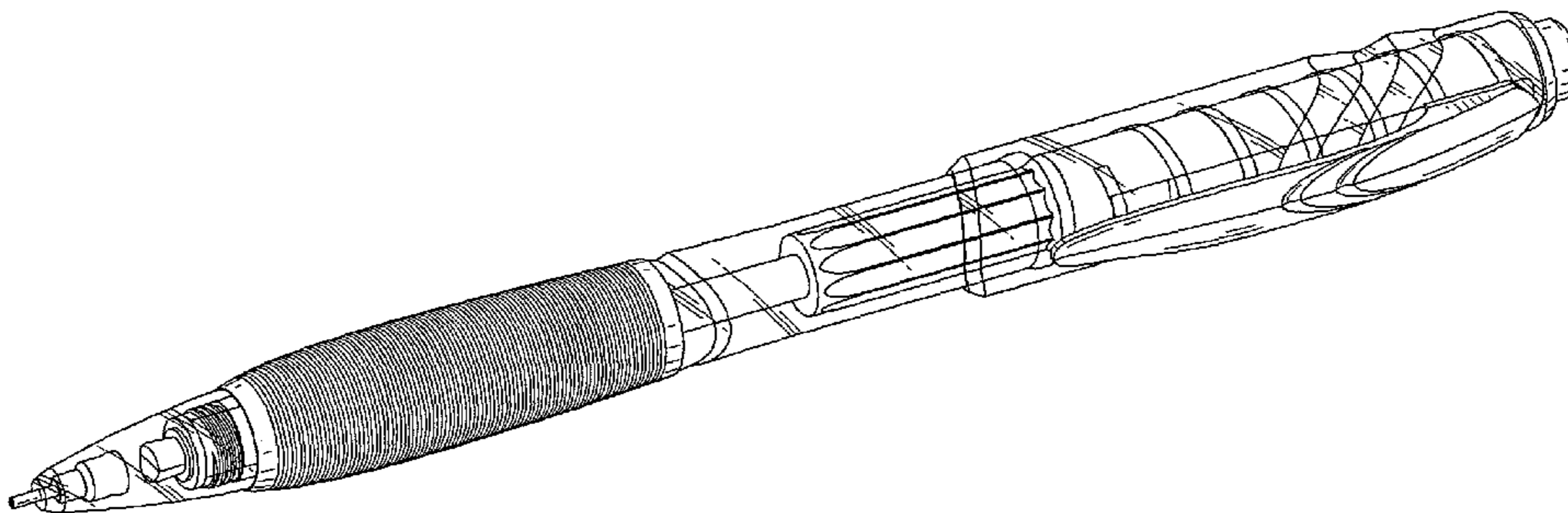
(57) **CLAIM**

The ornamental design for a mechanical pencil, as shown and described.

**DESCRIPTION**

FIG. 1 is a perspective view of the front, top and left side of a mechanical pencil showing my new design;  
 FIG. 2 is a front view thereof;  
 FIG. 3 is a rear view thereof;  
 FIG. 4 is a bottom view thereof, a top view being a mirror image thereof;  
 FIG. 5 is a left side view thereof;  
 FIG. 6 is an enlarged left side view thereof;  
 FIG. 7 is a right side view thereof;  
 FIG. 8 is an enlarged right side view thereof;  
 FIG. 9 is an enlarged view at portion of 9-9 in FIG. 2 thereof; and,  
 FIG. 10 is an enlarged view at portion of 10-10 in FIG. 3 thereof.

**1 Claim, 5 Drawing Sheets**



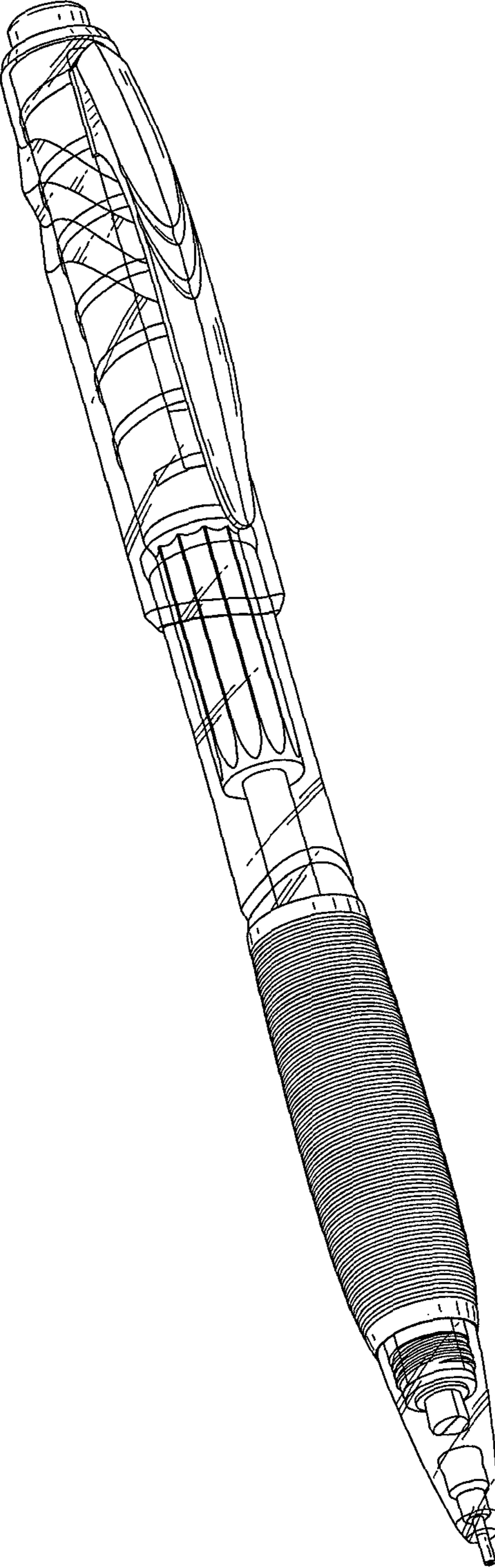


FIG. 1

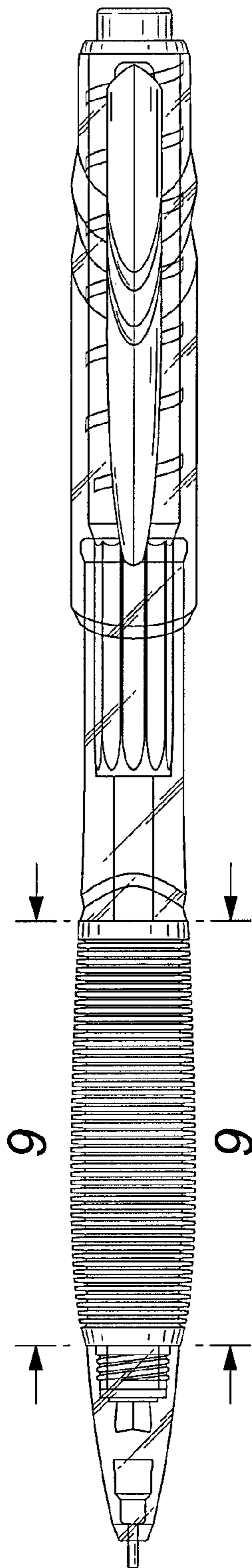


FIG. 2

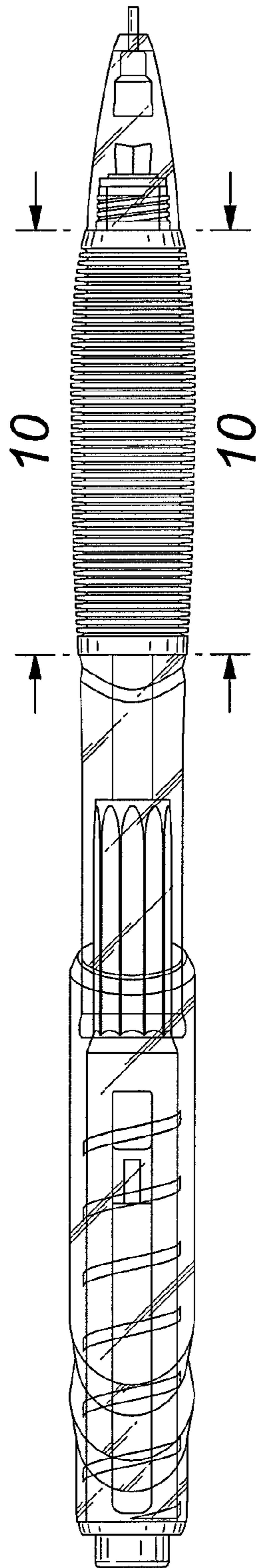


FIG. 3

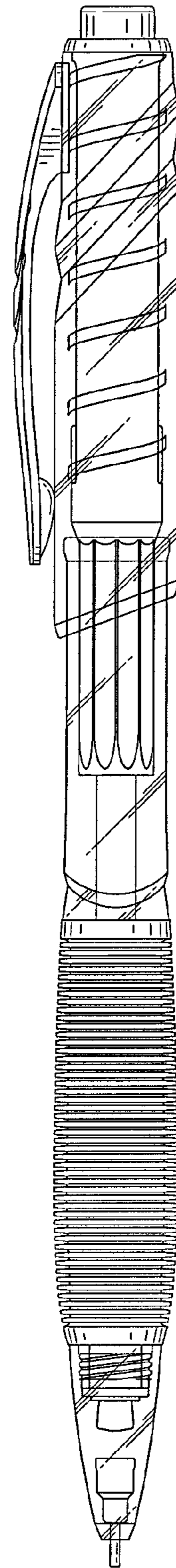


FIG. 4



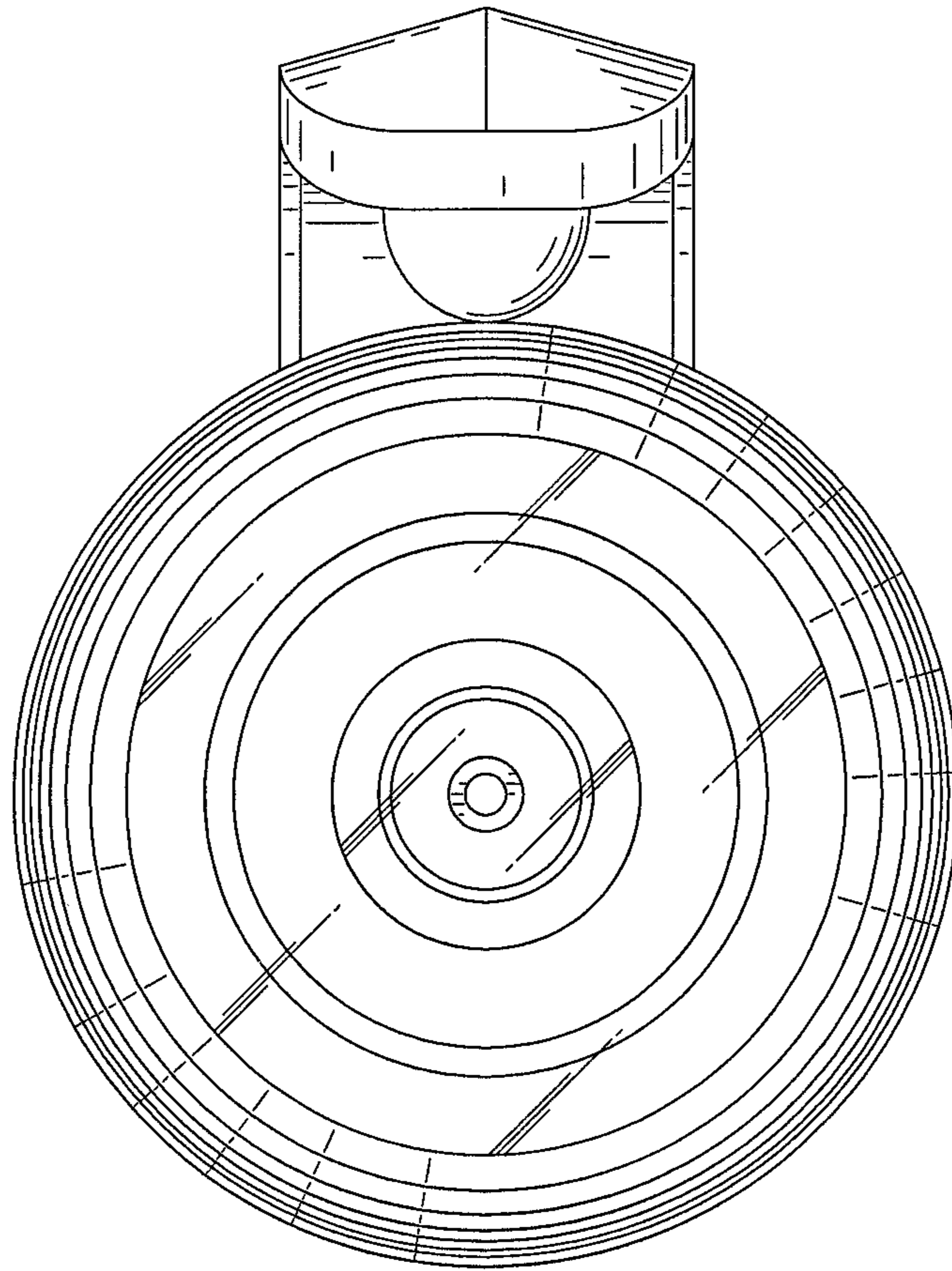


FIG. 6

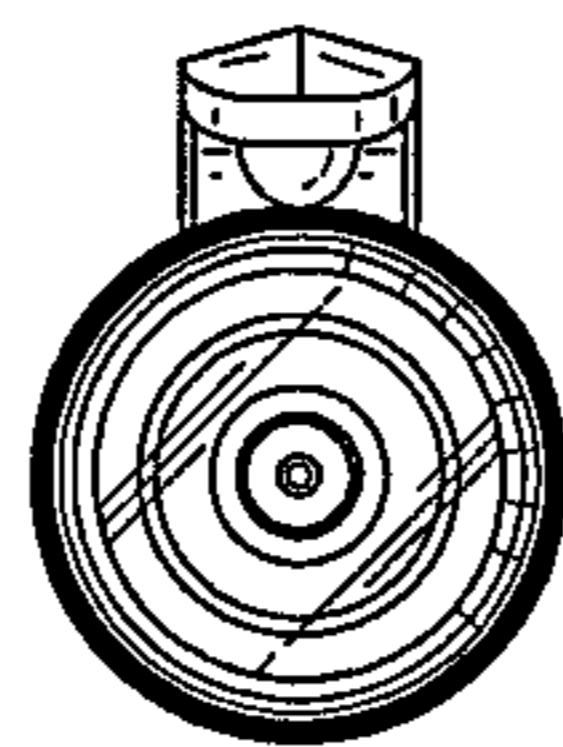


FIG. 5

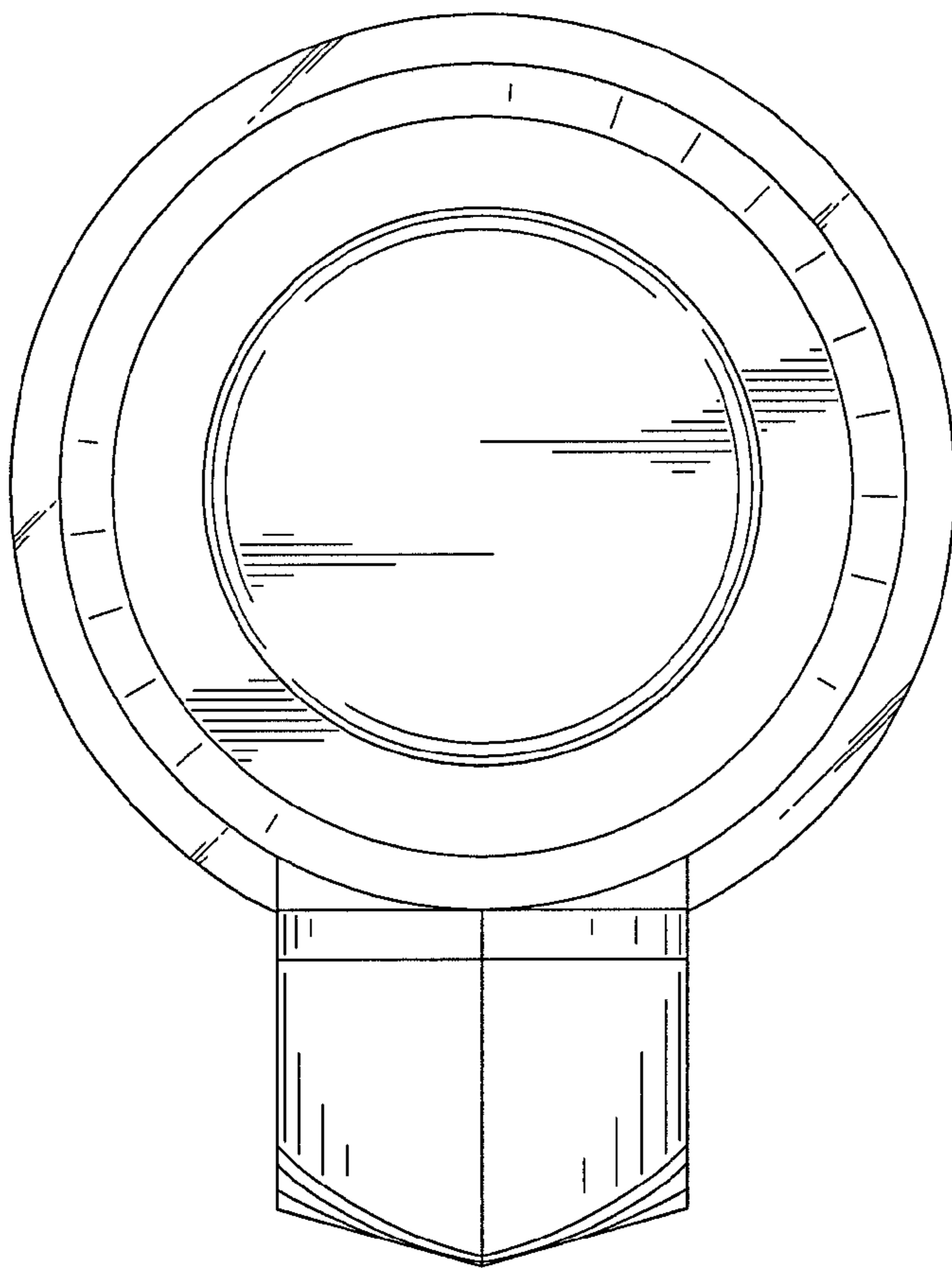


FIG. 8

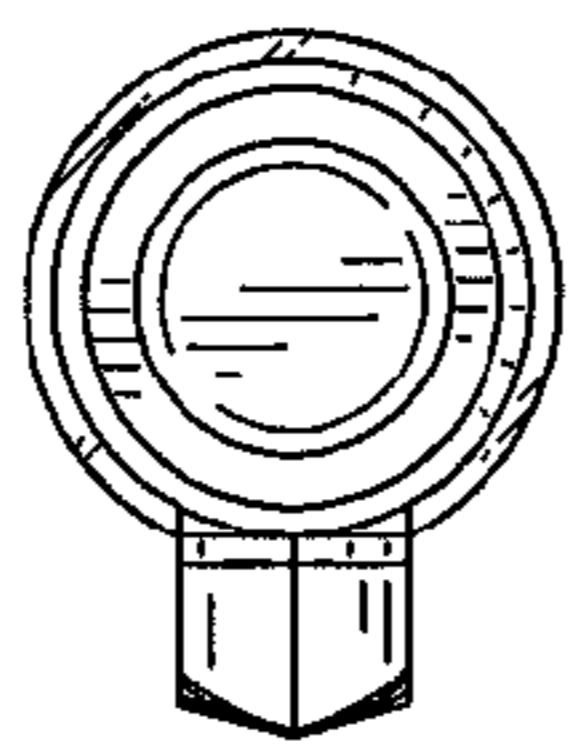


FIG. 7

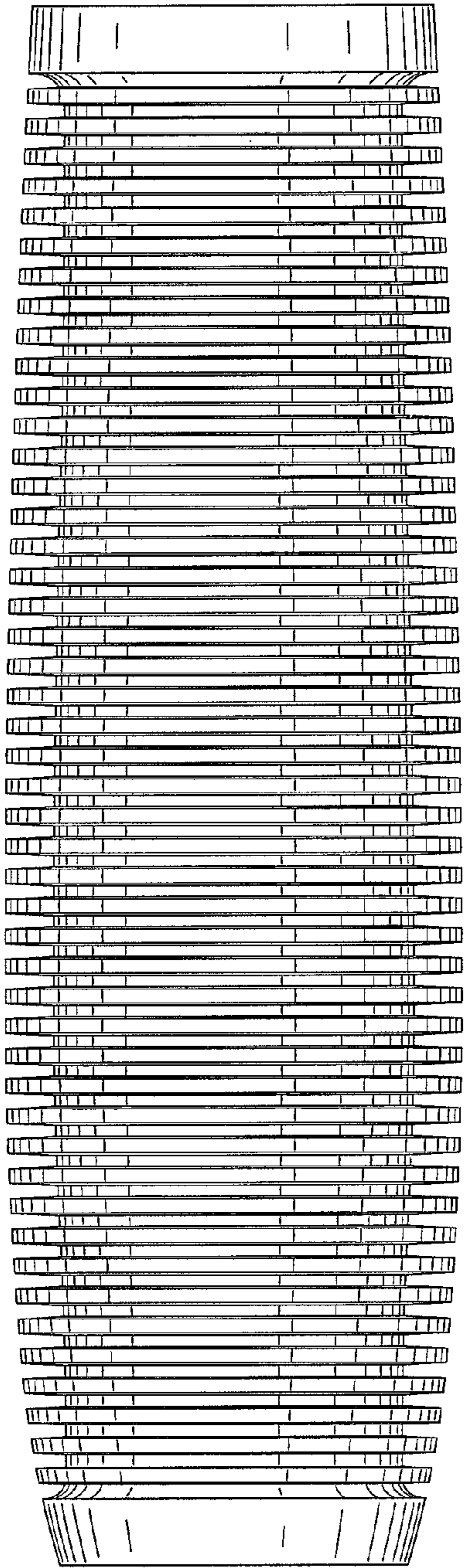


FIG. 9

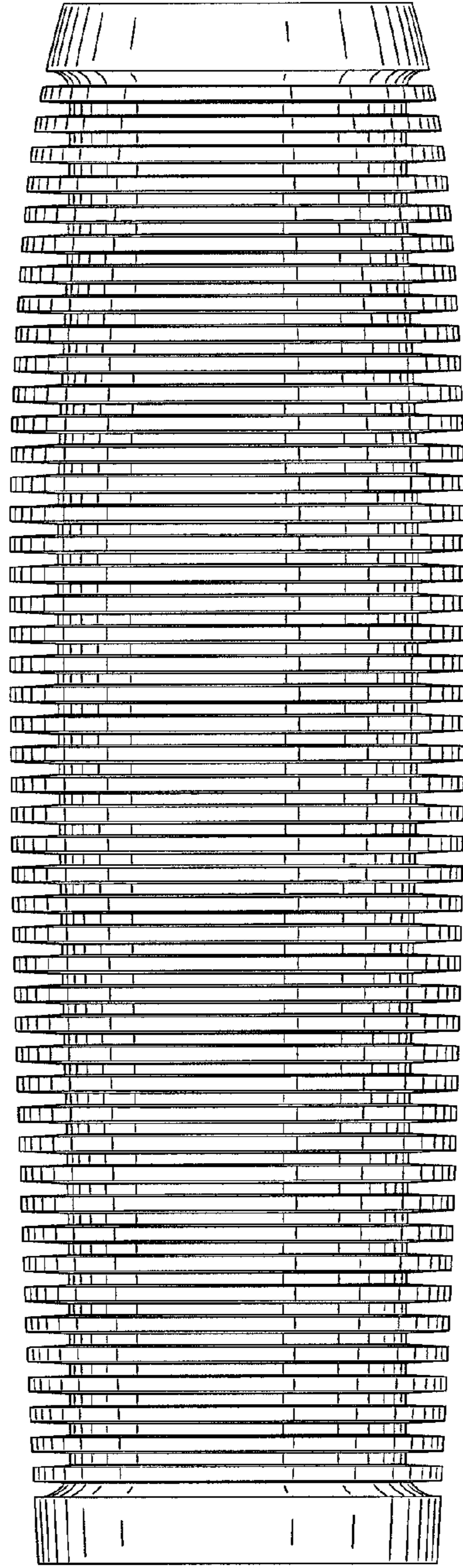


FIG. 10