

US00D698389S

(12) **United States Design Patent**
Fukasawa et al.

(10) **Patent No.:** **US D698,389 S**
(45) **Date of Patent:** **** Jan. 28, 2014**

(54) **PRINTER**

(75) Inventors: **Naoto Fukasawa**, Tokyo (JP);
Kyong-Hwan Kim, Seoul (KR);
Seung-Wook Jeong, Seoul (KR)

(73) Assignee: **Samsung Electronics Co., Ltd.**,
Suwon-si, Gyeonggi-do (KR)

(**) **Term:** **14 Years**

(21) **Appl. No.:** **29/422,982**

(22) **Filed:** **May 25, 2012**

(30) **Foreign Application Priority Data**

Dec. 20, 2011 (KR) 30-2011-0054262

(51) **LOC (10) Cl.** **14-02**

(52) **U.S. Cl.**
USPC **D18/55**

(58) **Field of Classification Search**
USPC D18/36-38, 50, 54-54.1, 55;
D14/420-425, 462-270; 400/613,
400/613.1-613.4, 690.1-690.4, 691-694
See application file for complete search history.

(56) **References Cited**

U.S. PATENT DOCUMENTS

D532,043 S	11/2006	Park et al.	
D532,450 S *	11/2006	Smith et al.	D18/55
D536,372 S	2/2007	Lim et al.	
D551,700 S	9/2007	Park et al.	
D555,195 S	11/2007	Park et al.	
D556,257 S *	11/2007	Yamaguchi	D18/55
D561,251 S *	2/2008	Tjin Wong Joe et al.	D18/55
D561,824 S	2/2008	Park et al.	
D580,483 S	11/2008	Park et al.	
D581,976 S	12/2008	Park et al.	
D584,344 S	1/2009	Lee et al.	
D586,385 S	2/2009	Kim et al.	

D596,226 S *	7/2009	Yamaguchi	D18/55
D609,270 S *	2/2010	Kato et al.	D18/55
D611,091 S *	3/2010	Ishikawa et al.	D18/55
D633,556 S	3/2011	Park et al.	
D641,778 S	7/2011	Lee et al.	
D647,958 S *	11/2011	Yoshioka et al.	D18/50
D649,183 S *	11/2011	Miyauchi et al.	D18/50
D660,351 S *	5/2012	Larson et al.	D18/55
D661,345 S *	6/2012	Asano et al.	D18/50
D667,488 S *	9/2012	Inoue et al.	D18/55
D673,603 S *	1/2013	Suzuki et al.	D18/55
D674,435 S *	1/2013	Inoue et al.	D18/55

OTHER PUBLICATIONS

U.S. Appl. No. 29/415,211, Applicant: Min-Chul Kim, et al., filed Mar. 8, 2012 entitled Printer.

U.S. Appl. No. 29/418,386, Applicant: Min-Chul Kim, et al., filed Apr. 16, 2012 entitled Printer.

* cited by examiner

Primary Examiner — Cathy A MacCormac

(74) *Attorney, Agent, or Firm* — Flynn, Thiel, Boutell & Tanis, P.C.

(57) **CLAIM**

The ornamental design for a printer, as shown and described.

DESCRIPTION

FIG. 1 is a top front perspective view of a printer showing our new design;

FIG. 2 is a front elevational view thereof;

FIG. 3 is a rear elevational view thereof;

FIG. 4 is a left side elevational view thereof;

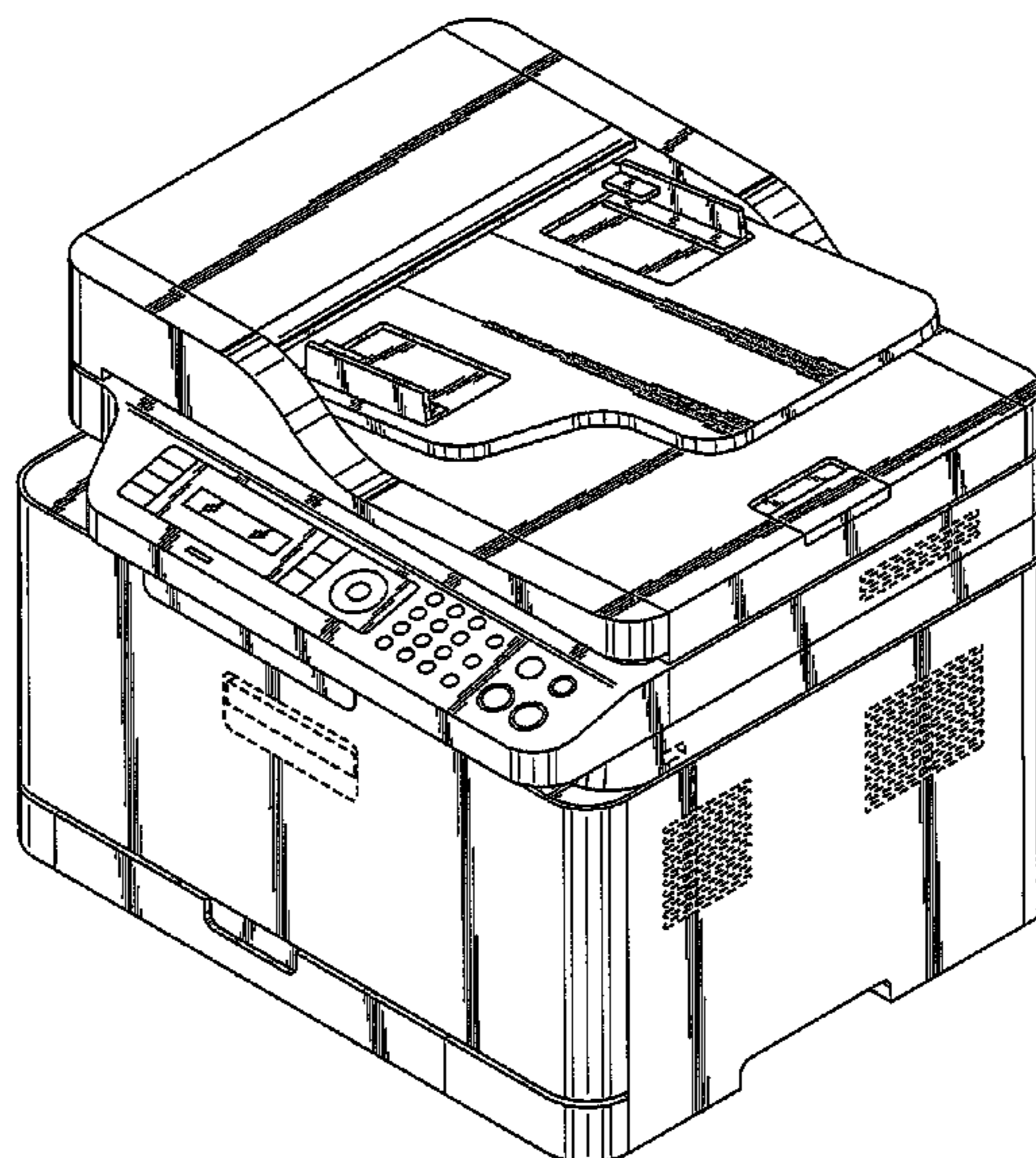
FIG. 5 is a right side elevational view thereof;

FIG. 6 is a top plan view thereof; and,

FIG. 7 is a bottom plan view thereof.

The broken lines illustrating portions of the printer are for environmental purposes only and form no part of the claimed design.

1 Claim, 7 Drawing Sheets



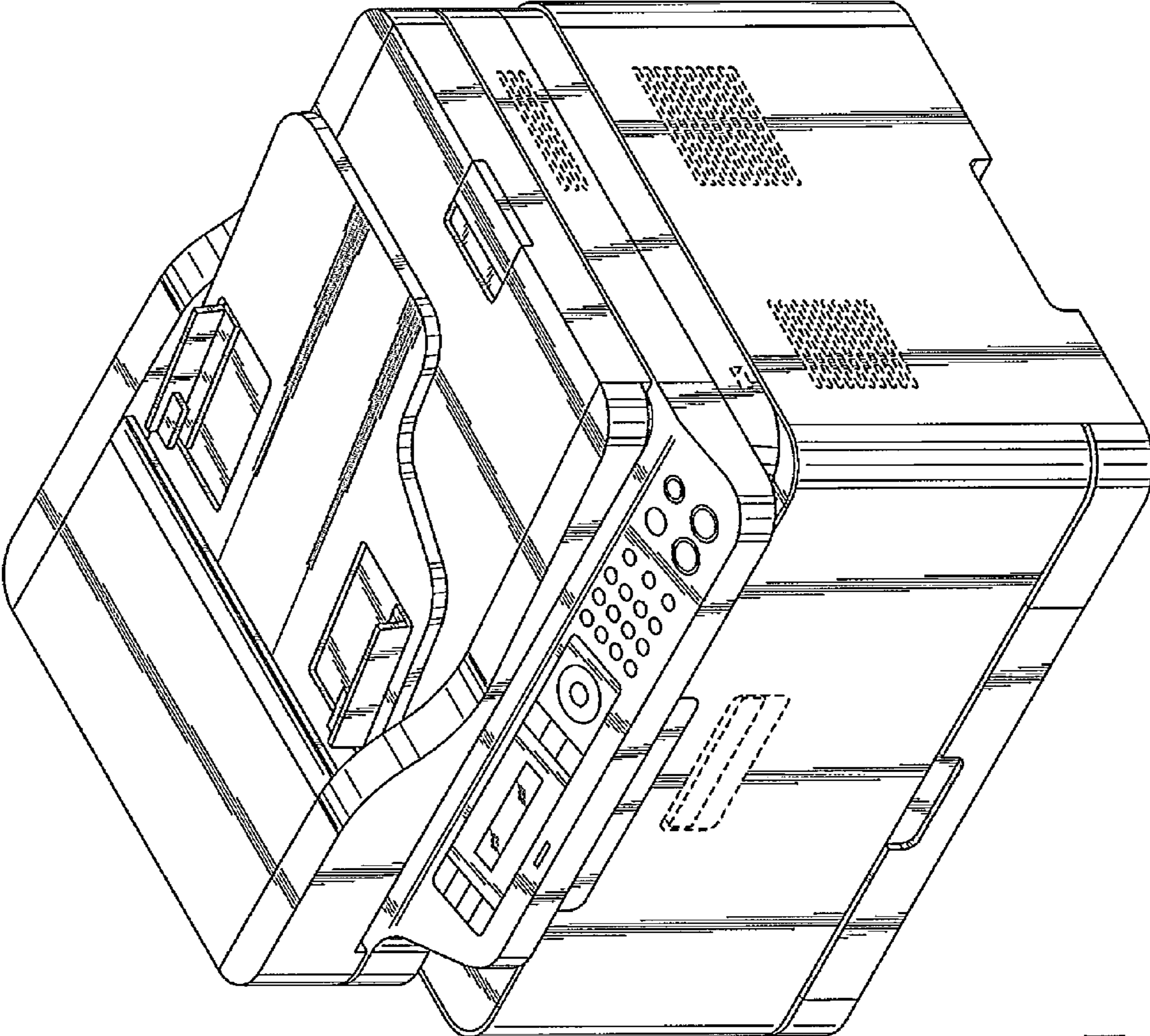


FIG. 1

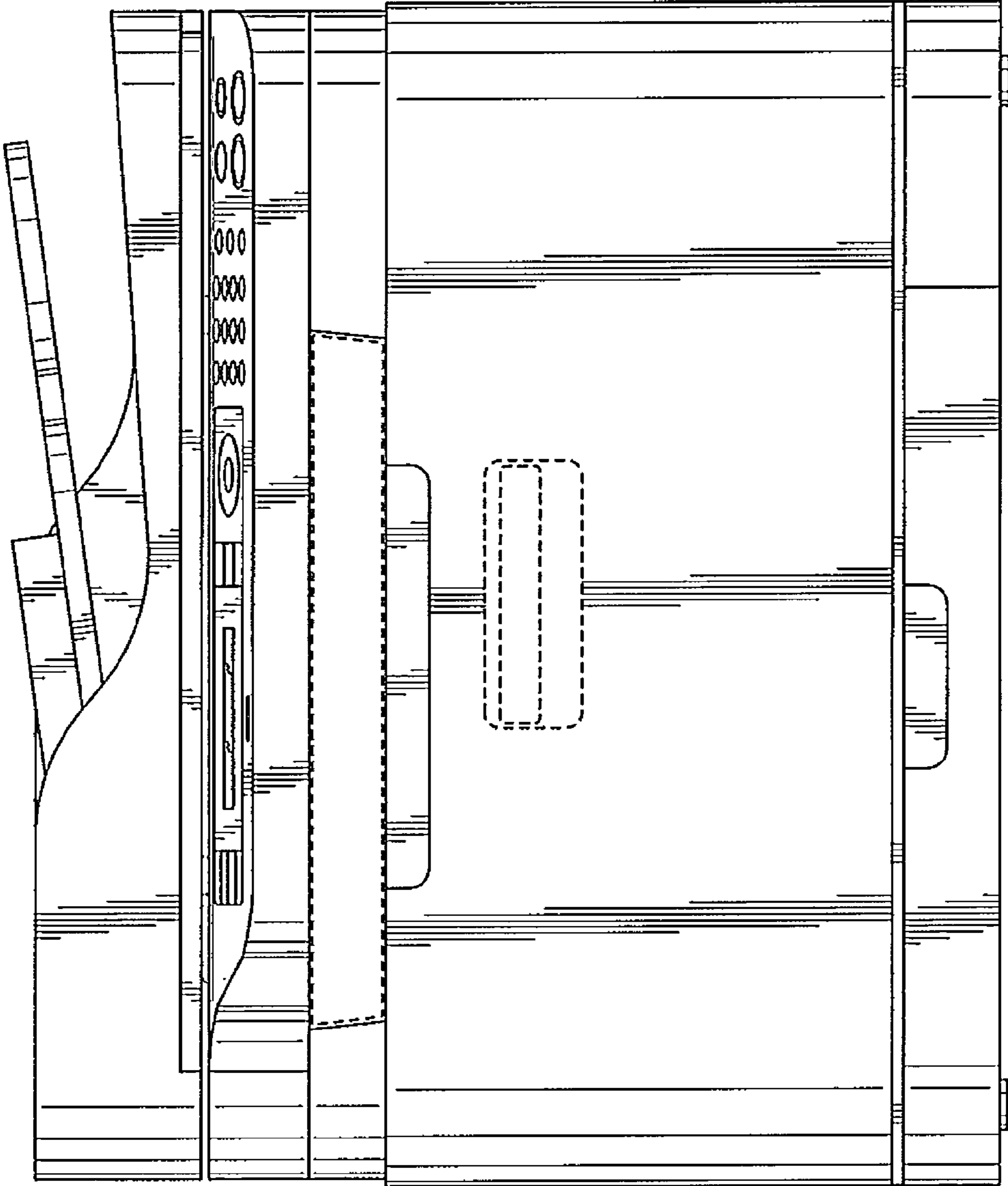


FIG. 2

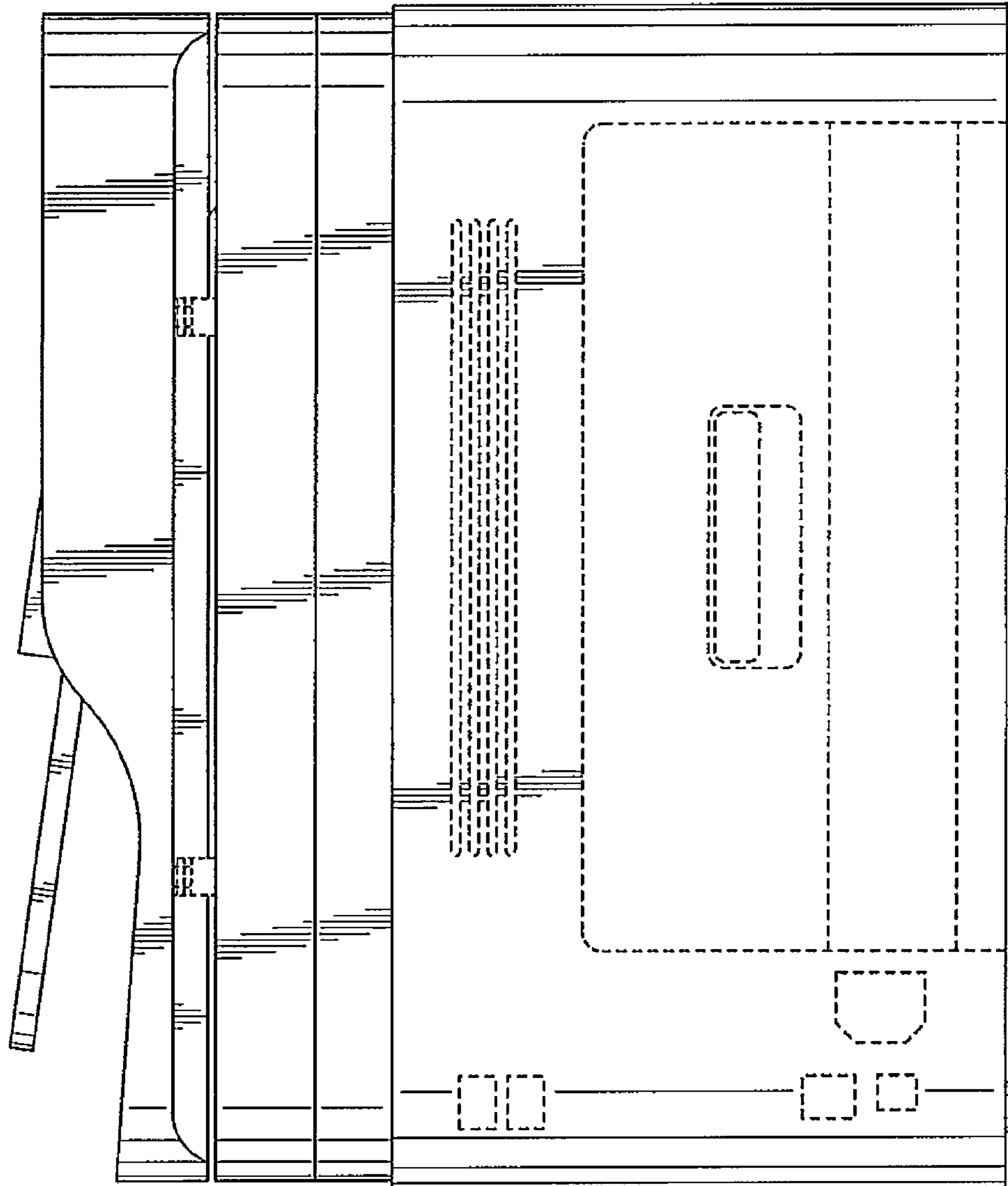


FIG. 3

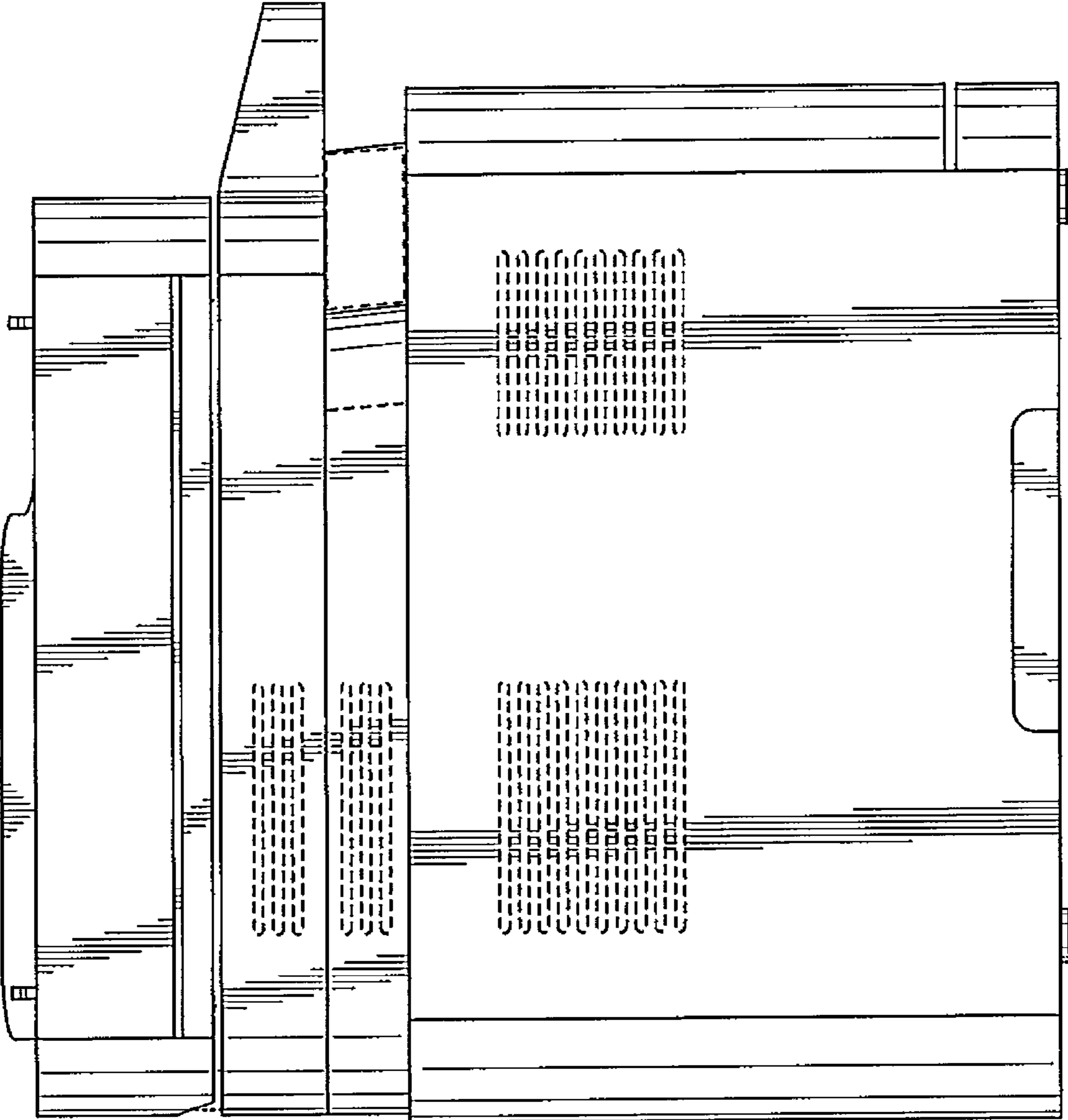


FIG. 4

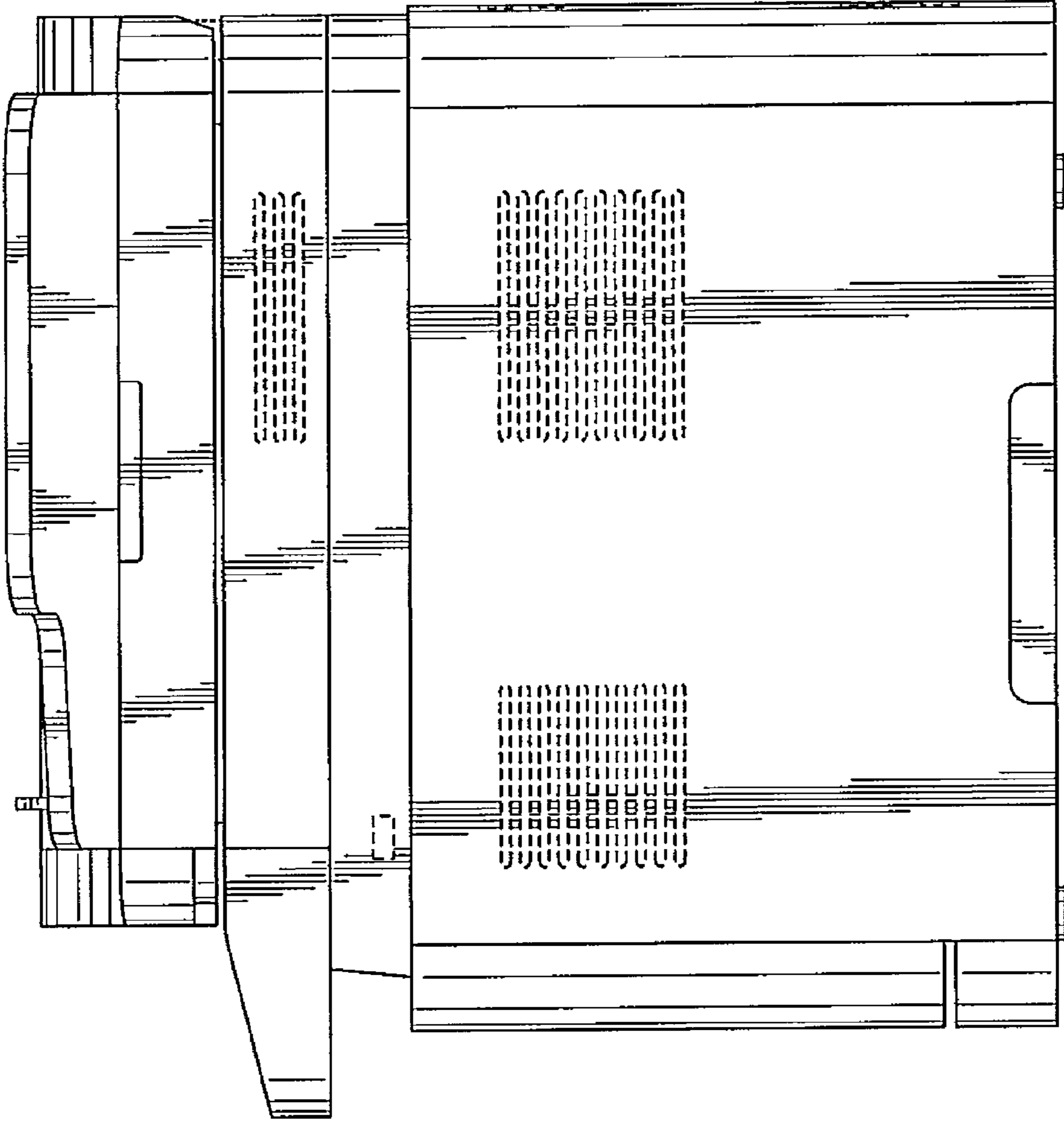


FIG. 5

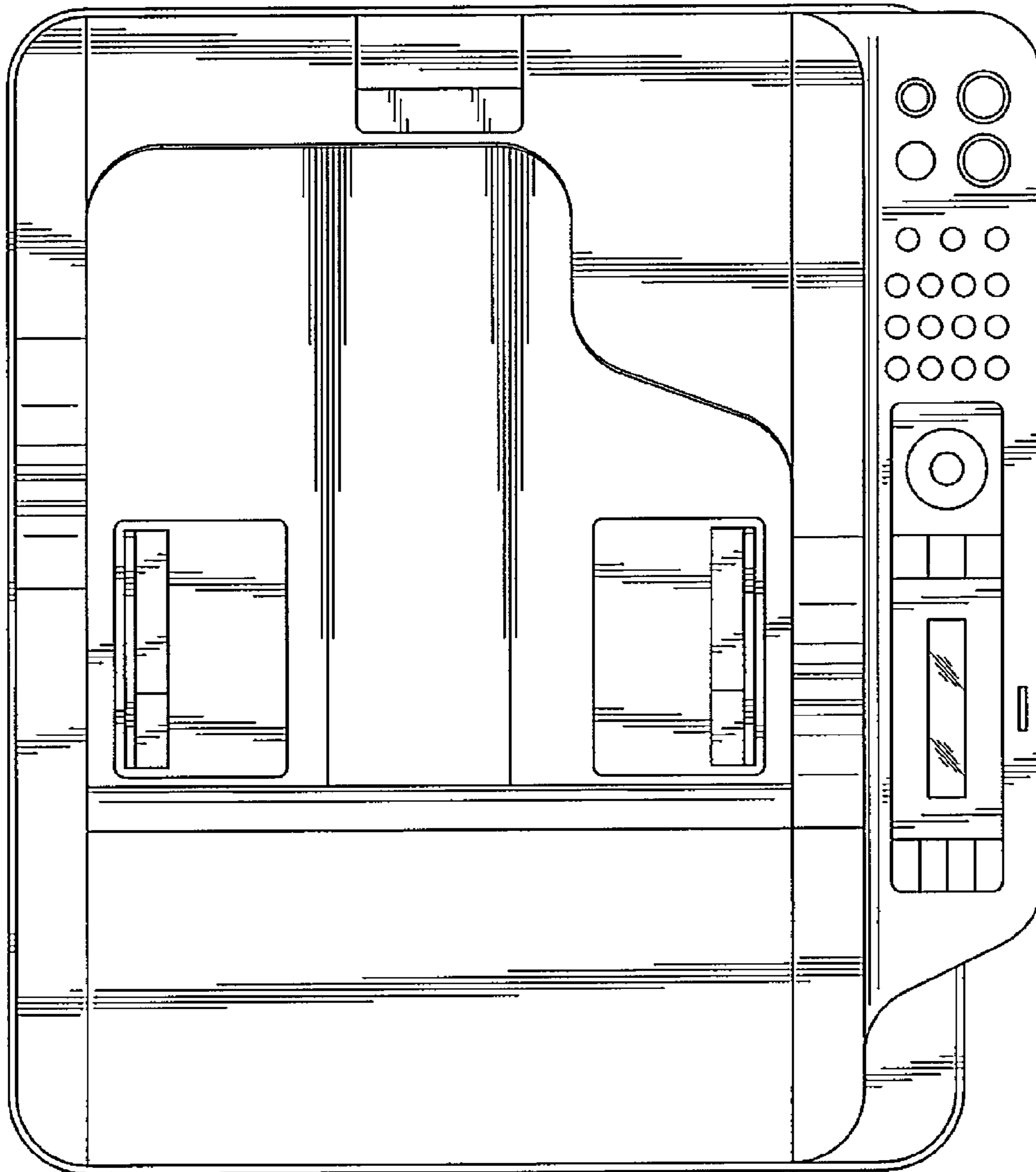


FIG. 6

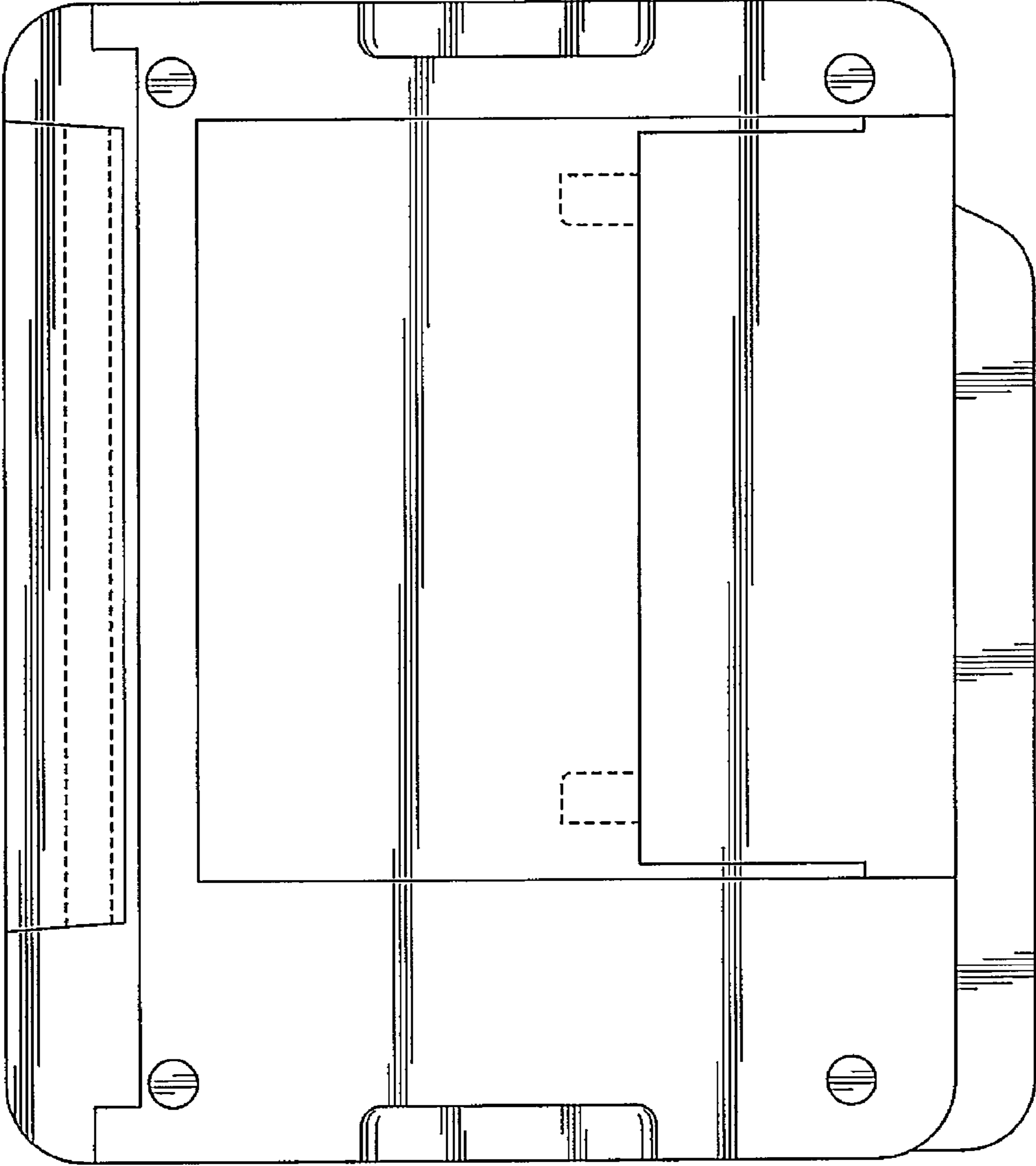


FIG. 7