



US00D698388S

(12) **United States Design Patent**
Nodera et al.

(10) **Patent No.:** **US D698,388 S**
(45) **Date of Patent:** **** Jan. 28, 2014**

(54) **POWDER CONTAINER**

(56)

References Cited

(71) Applicants: **Kentaro Nodera**, Sagamihara (JP);
Tepei Kikuchi, Yokohama (JP); **Akira Fujimori**, Yokohama (JP); **Hideki Kosugi**, Yokohama (JP); **Tatsuya Kubo**, Kawasaki (JP); **Shinnosuke Koshizuka**, Fujisawa (JP)

U.S. PATENT DOCUMENTS

D246,373	S	*	11/1977	Crandell et al.	D18/44
D299,929	S	*	2/1989	Yomo	D18/44
D366,059	S	*	1/1996	Evanoff et al.	D18/56
D471,582	S	*	3/2003	Mori	D18/40
D502,730	S	*	3/2005	Miyagawa	D18/40
D505,443	S	*	5/2005	Saldana et al.	D18/40
D549,277	S	*	8/2007	Ramos et al.	D18/40
D549,278	S	*	8/2007	Ramos et al.	D18/40

(72) Inventors: **Kentaro Nodera**, Sagamihara (JP);
Tepei Kikuchi, Yokohama (JP); **Akira Fujimori**, Yokohama (JP); **Hideki Kosugi**, Yokohama (JP); **Tatsuya Kubo**, Kawasaki (JP); **Shinnosuke Koshizuka**, Fujisawa (JP)

OTHER PUBLICATIONS

U.S. Appl. No. 29/447,644, filed Mar. 5, 2013, Nodera, et al.
U.S. Appl. No. 29/447,915, filed Mar. 7, 2013, Nodera, et al.
U.S. Appl. No. 29/447,639, filed Mar. 5, 2013, Nodera, et al.
U.S. Appl. No. 13/783,528, filed Mar. 4, 2013, Nodera, et al.

* cited by examiner

Primary Examiner — Garth Rademaker

(73) Assignee: **Ricoh Company, Ltd.**, Tokyo (JP)

(74) *Attorney, Agent, or Firm* — Oblon, Spivak, McClelland, Maier & Neustadt, L.L.P.

(**) Term: **14 Years**

(57) **CLAIM**

(21) Appl. No.: **29/447,633**

The ornamental design for a powder container, as shown and described.

(22) Filed: **Mar. 5, 2013**

DESCRIPTION

(51) **LOC (10) Cl.** **16-03**

FIG. 1 is a front elevational view of a powder container;
FIG. 2 is a rear elevational view thereof;
FIG. 3 is a left side elevational view thereof;
FIG. 4 is a right side elevational view thereof;
FIG. 5 is a top plan view thereof;
FIG. 6 is a bottom plan view thereof; and,
FIG. 7 is a front, top, and left side perspective view thereof.
The broken lines in the drawings depict environmental subject matter only and form no part of the claimed design.

(52) **U.S. Cl.**

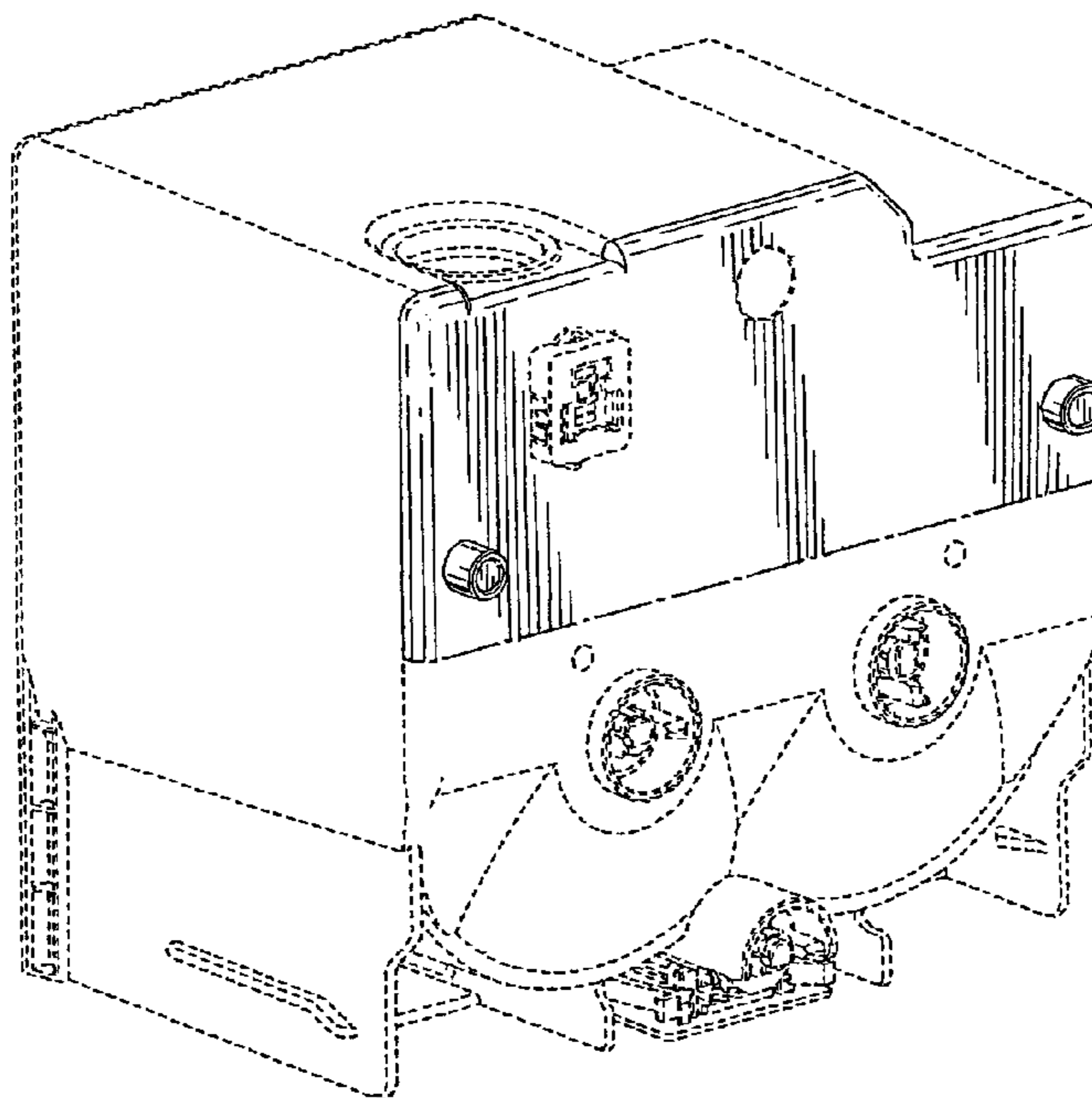
USPC **D18/43**

(58) **Field of Classification Search**

USPC D14/471; D18/12, 36, 40, 43, 44, 56;
222/DIG. 1; 347/197, 222; 399/24–28,
399/107–112, 119, 121, 122, 222–224

See application file for complete search history.

1 Claim, 7 Drawing Sheets



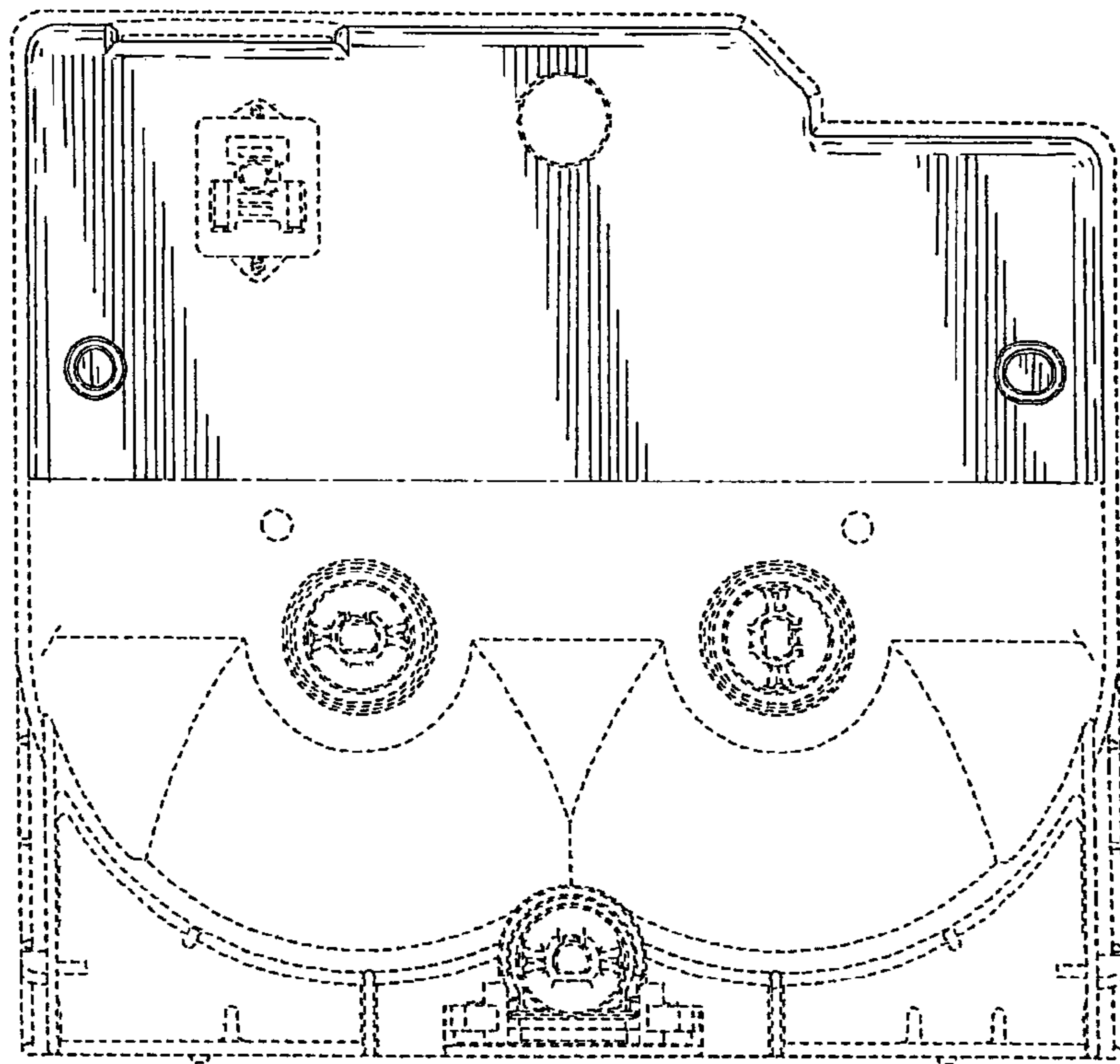


FIG. 1

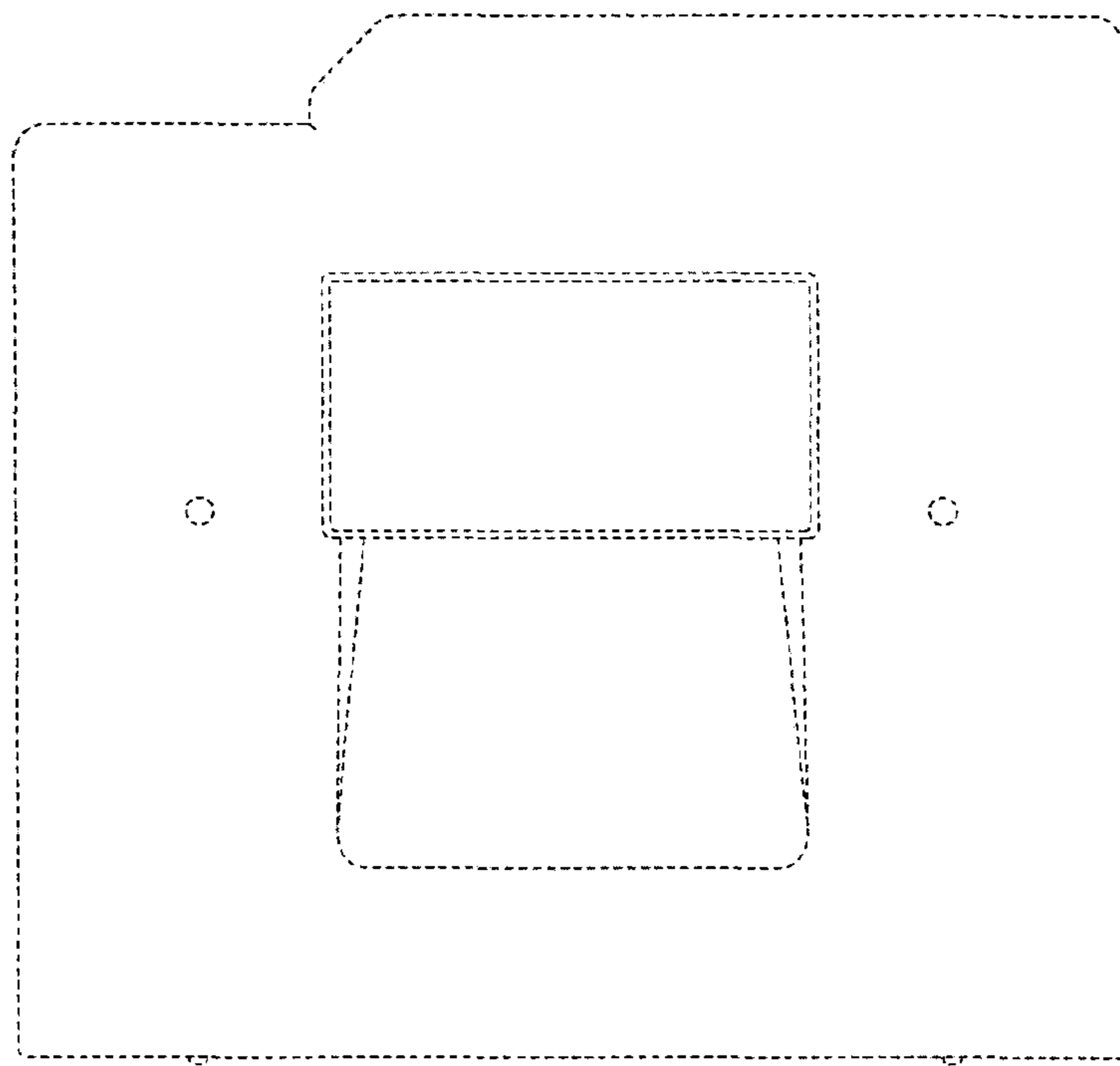


FIG. 2

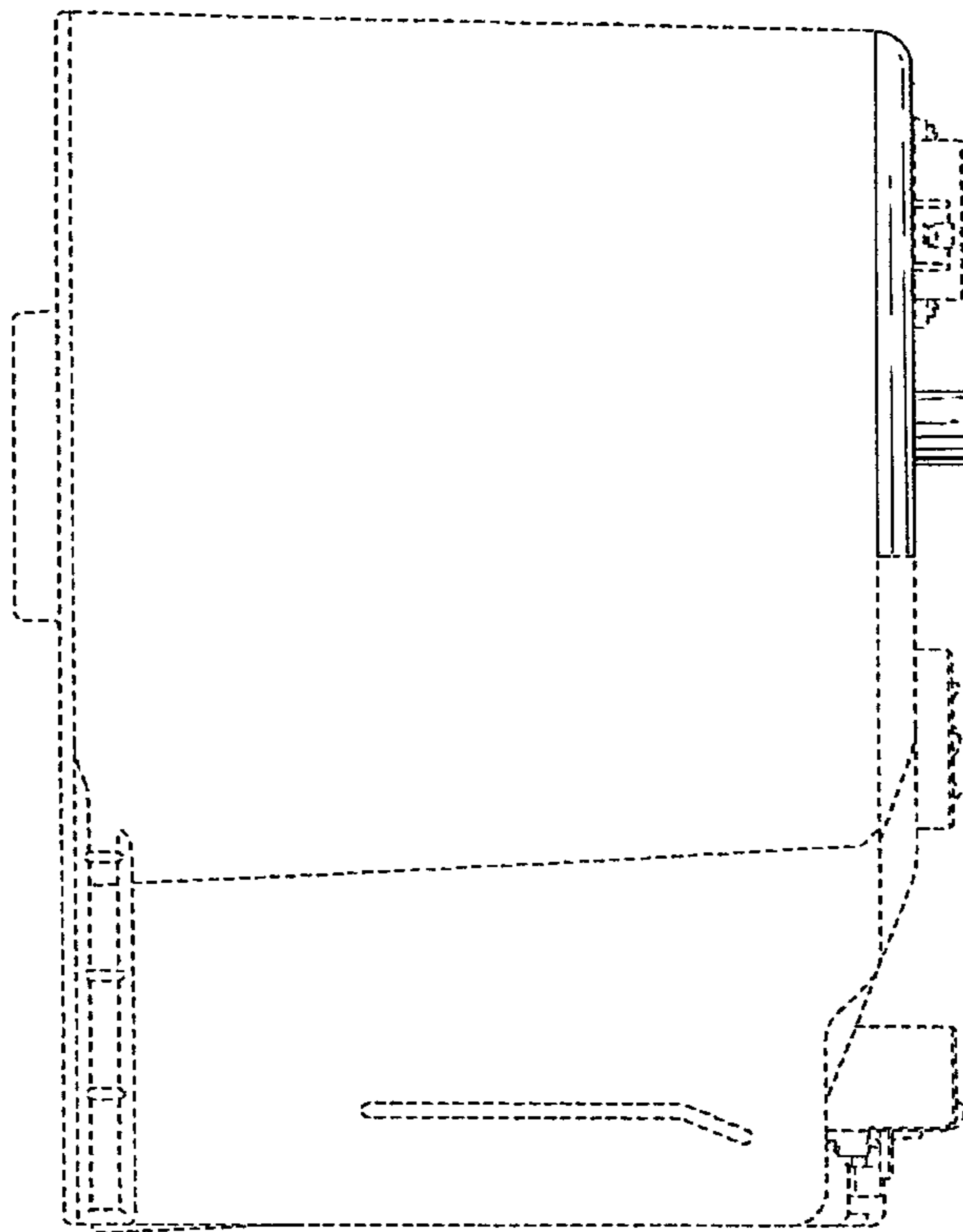


FIG. 3

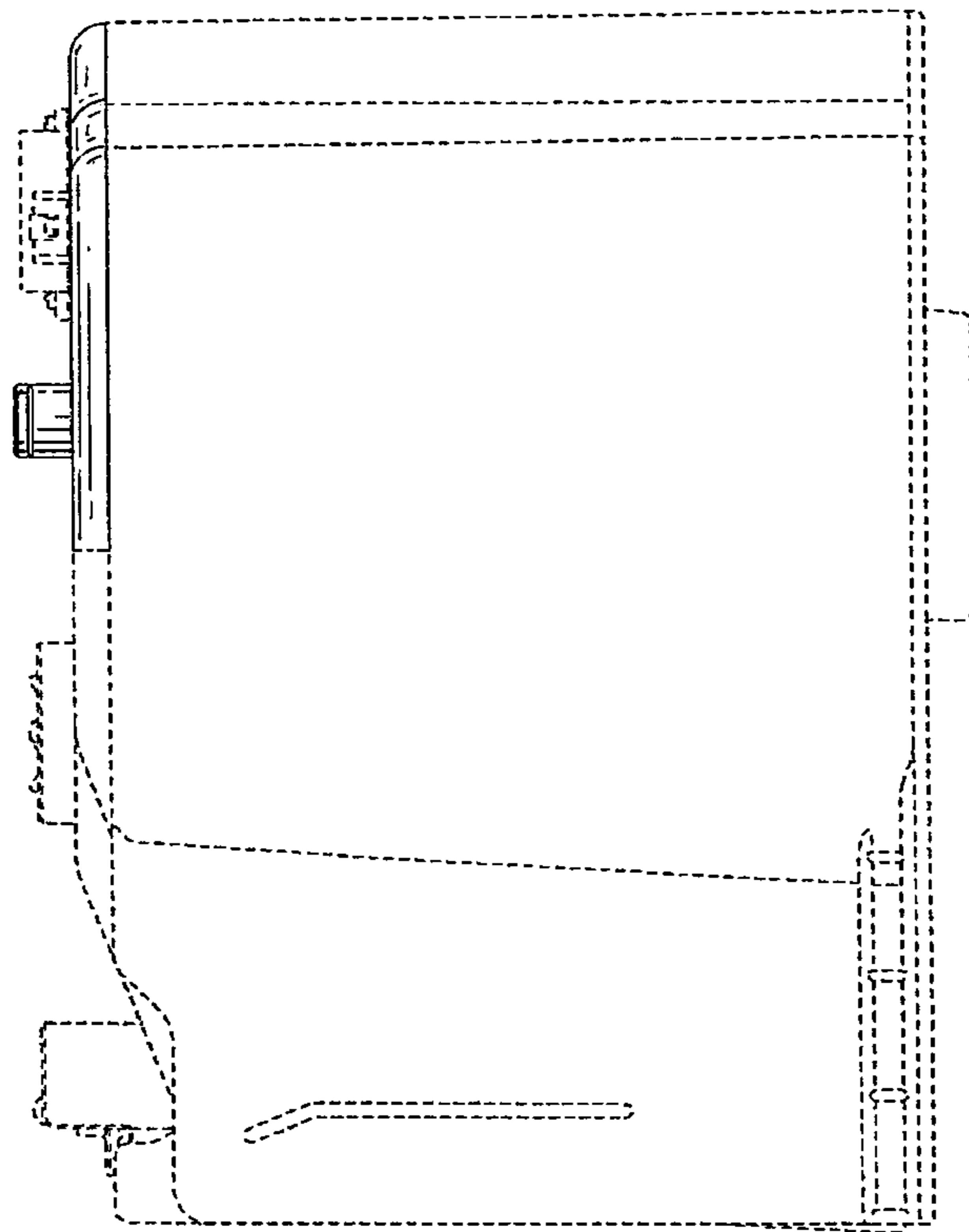


FIG. 4

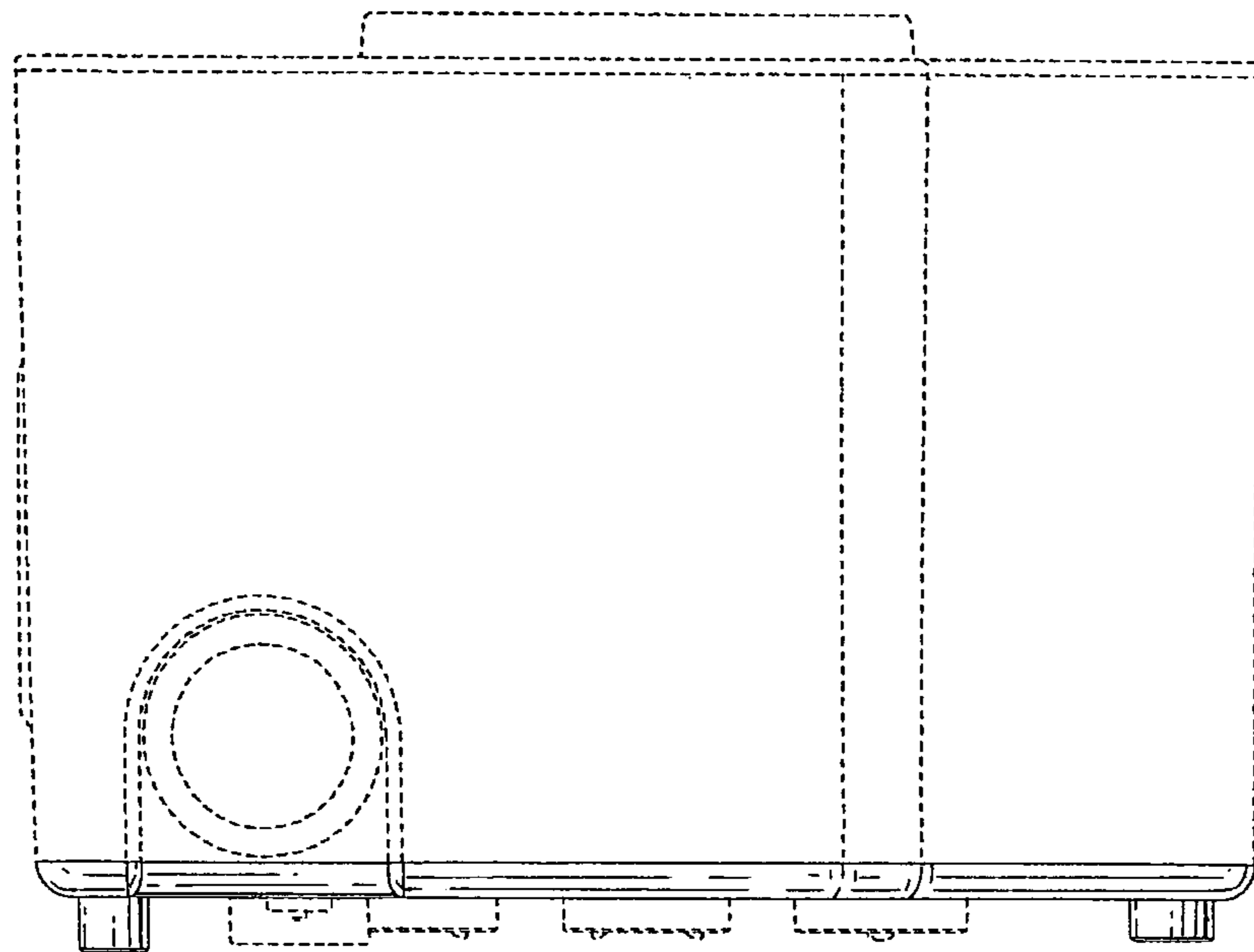


FIG. 5

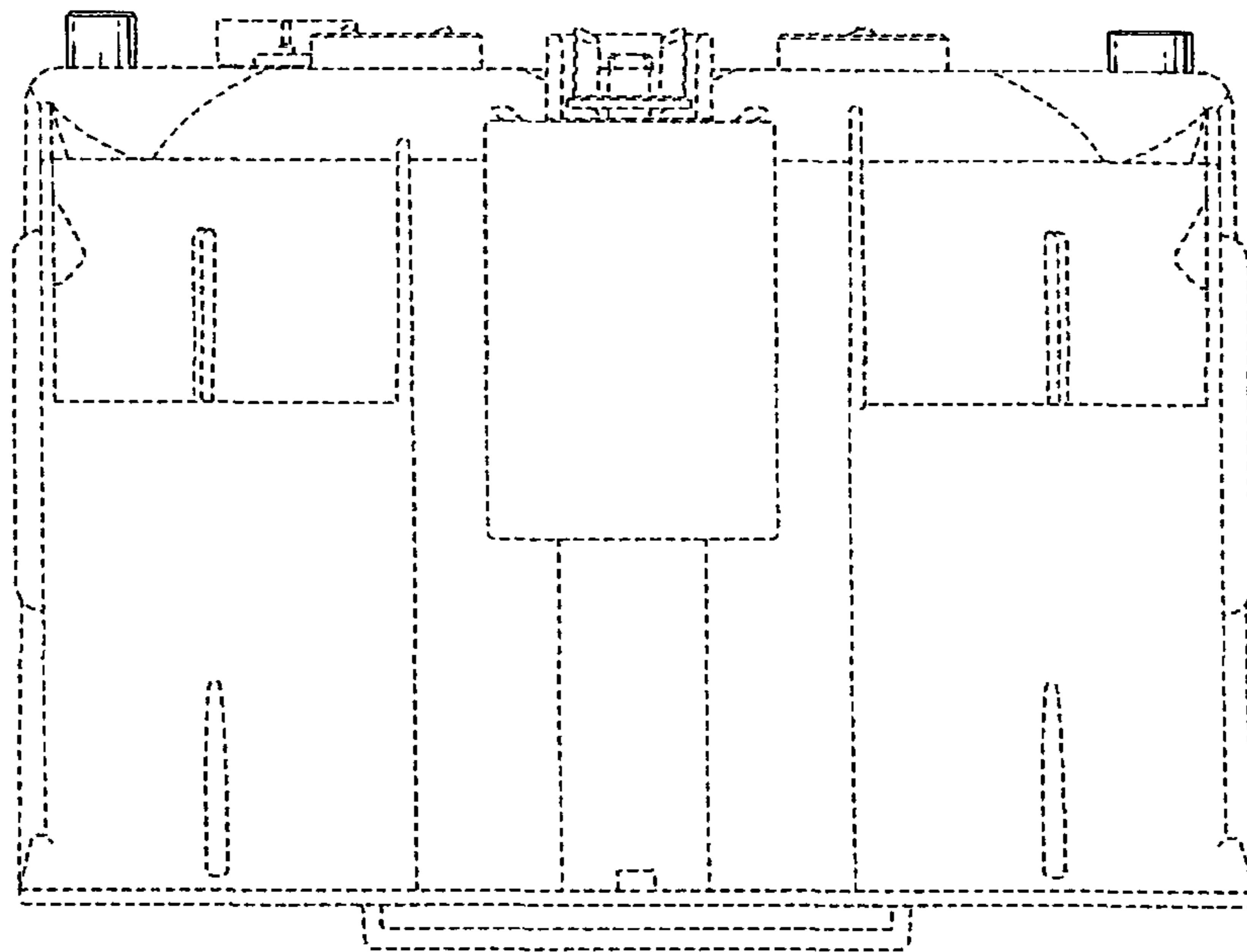


FIG. 6

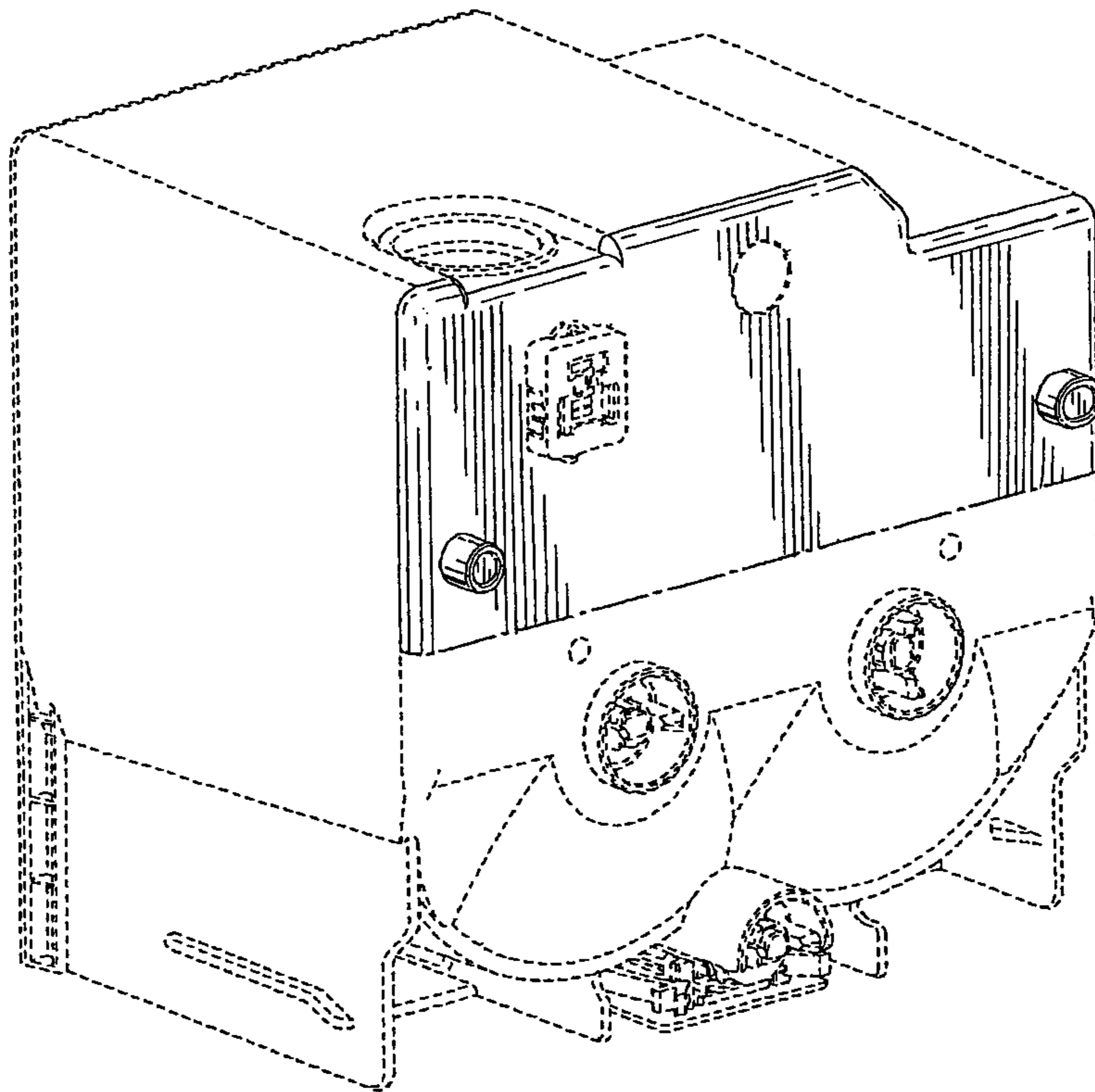


FIG. 7