



US00D698387S

(12) **United States Design Patent**
Kubota et al.

(10) **Patent No.:** **US D698,387 S**
(45) **Date of Patent:** **** Jan. 28, 2014**

(54) **POWDER CONTAINER**

(71) Applicants: **Tomohiro Kubota**, Ohta-ku (JP); **Sho Tsuritani**, Ohta-ku (JP); **Yoshiyuki Shimizu**, Ohta-ku (JP); **Emi Kita**, Ohta-ku (JP); **Manabu Hamada**, Ohta-ku (JP); **Masato Tsuji**, Ohta-ku (JP); **Naoki Nakatake**, Ohta-ku (JP)

(72) Inventors: **Tomohiro Kubota**, Ohta-ku (JP); **Sho Tsuritani**, Ohta-ku (JP); **Yoshiyuki Shimizu**, Ohta-ku (JP); **Emi Kita**, Ohta-ku (JP); **Manabu Hamada**, Ohta-ku (JP); **Masato Tsuji**, Ohta-ku (JP); **Naoki Nakatake**, Ohta-ku (JP)

(73) Assignee: **Ricoh Company, Ltd.**, Tokyo (JP)

(**) Term: **14 Years**

(21) Appl. No.: **29/439,418**

(22) Filed: **Dec. 11, 2012**

(51) **LOC (10) Cl.** **16-03**

(52) **U.S. Cl.**
USPC **D18/43**

(58) **Field of Classification Search**
USPC D14/471; D18/12, 36, 40, 43, 44, 56;
222/DIG. 1; 347/197, 222; 399/24-28,
399/107-112, 119, 121, 122, 222-224

See application file for complete search history.

(56) **References Cited**

U.S. PATENT DOCUMENTS

D522,564	S	*	6/2006	Ishii et al.	D18/43
D523,895	S	*	6/2006	Ishii et al.	D18/43
D549,277	S	*	8/2007	Ramos et al.	D18/47
D549,278	S	*	8/2007	Ramos et al.	D18/47
D637,225	S	*	5/2011	Kishi et al.	D18/43
D662,542	S	*	6/2012	Nagashima	D18/43
2013/0028638	A1	*	1/2013	Tsuritani et al.	399/258

* cited by examiner

Primary Examiner — Garth Rademaker
(74) *Attorney, Agent, or Firm* — Oblon, Spivak, McClelland, Maier & Neustadt, L.L.P.

(57) **CLAIM**

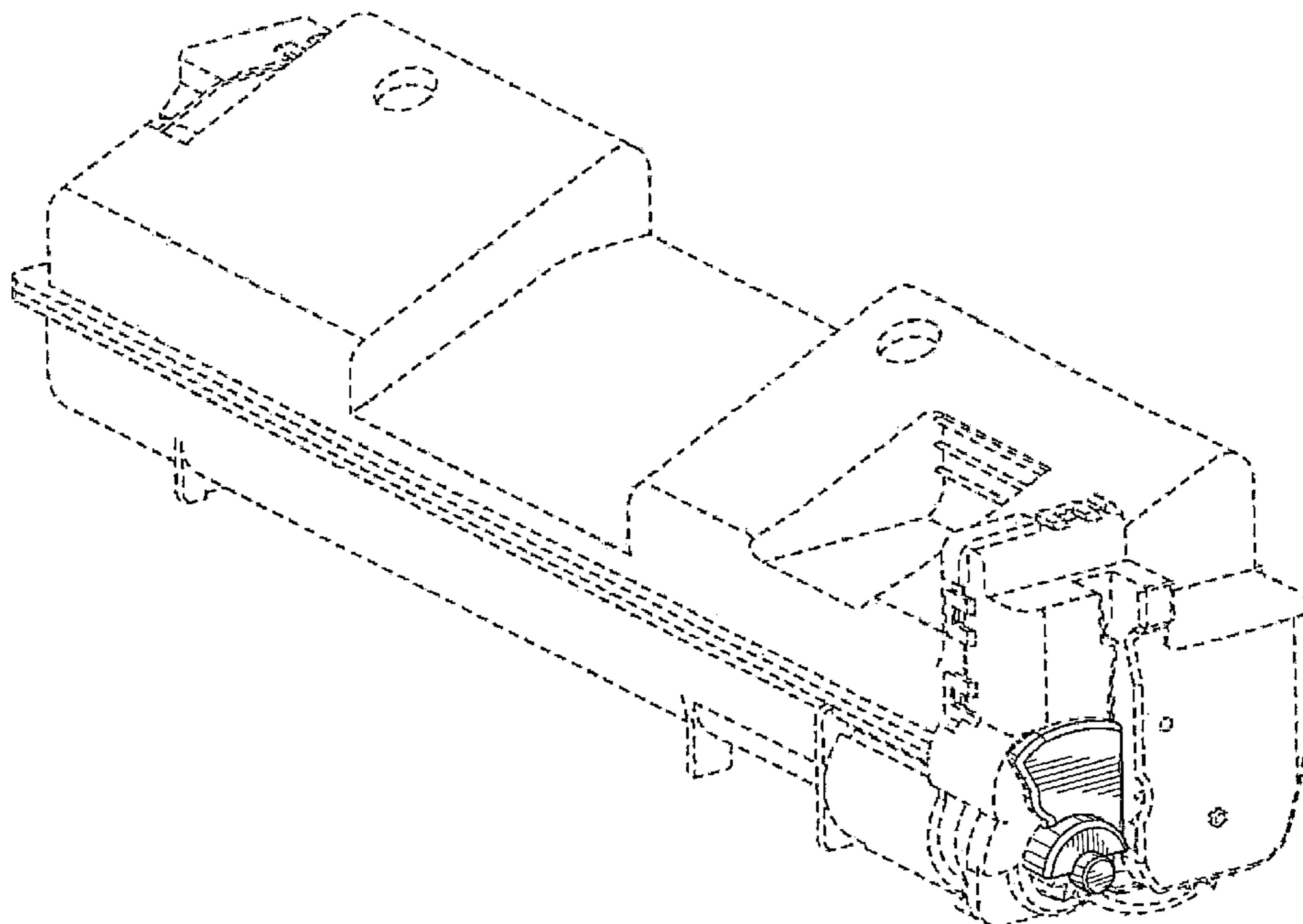
The ornamental design for a powder container, as shown and described.

DESCRIPTION

FIG. 1 is a front elevational view of a powder container;
FIG. 2 is a rear elevational view thereof;
FIG. 3 is a right side elevational view thereof;
FIG. 4 is a top plan view thereof;
FIG. 5 is a bottom plan view thereof;
FIG. 6 is a front, top, and right side perspective view thereof;
and,
FIG. 7 is a front, bottom, and right side perspective view thereof.

The broken lines in the drawings depict environmental subject matter only and form no part of the claimed design.

1 Claim, 7 Drawing Sheets



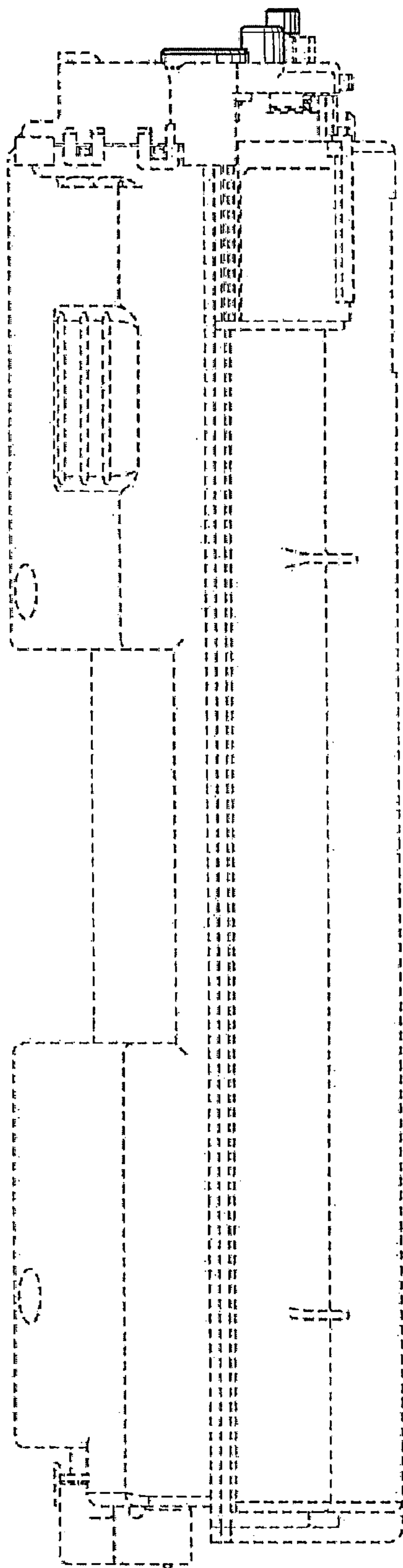


Fig. 1

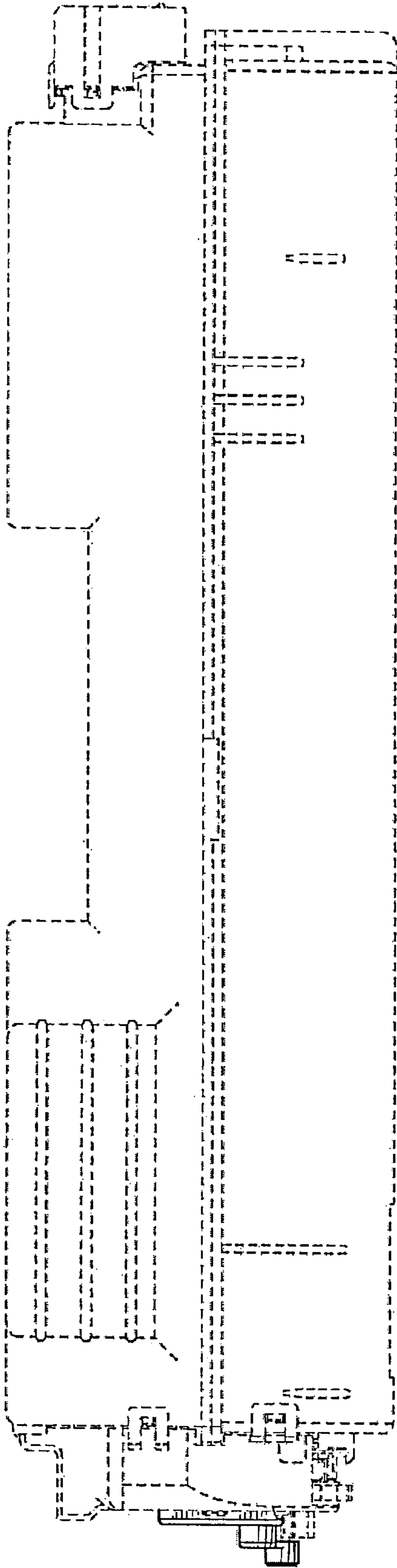


Fig. 2

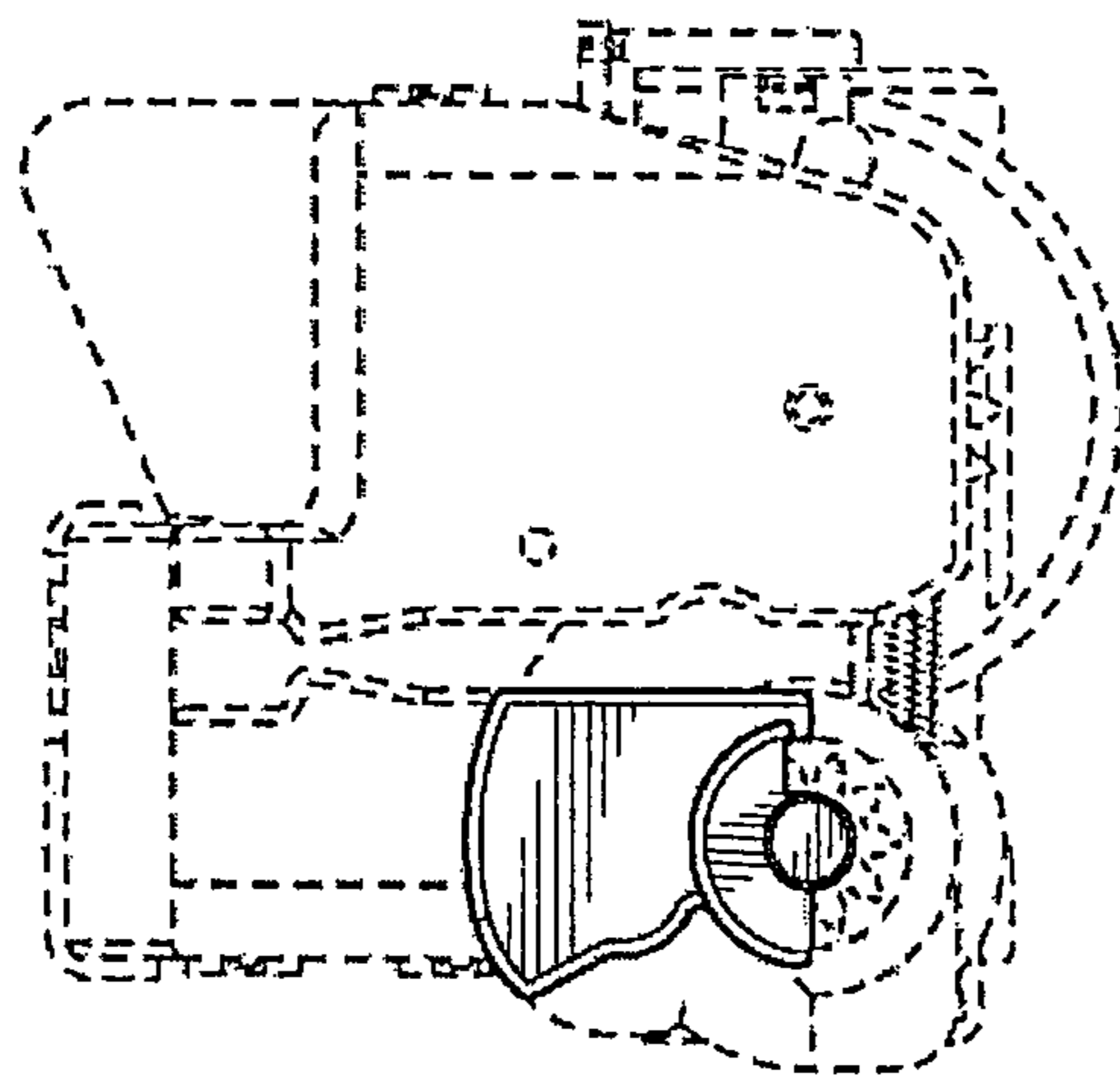


Fig. 3

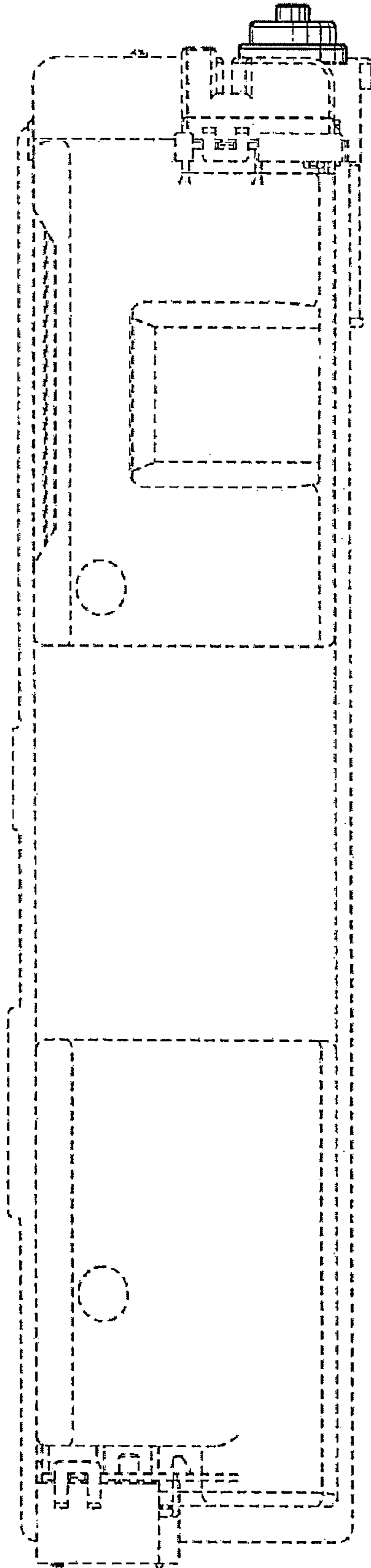


Fig. 4

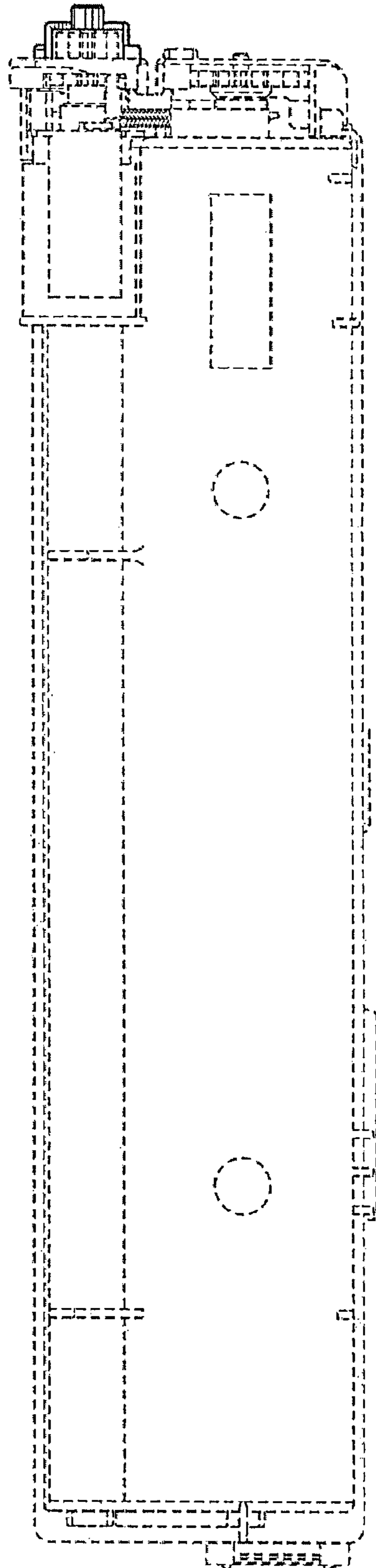


Fig. 5

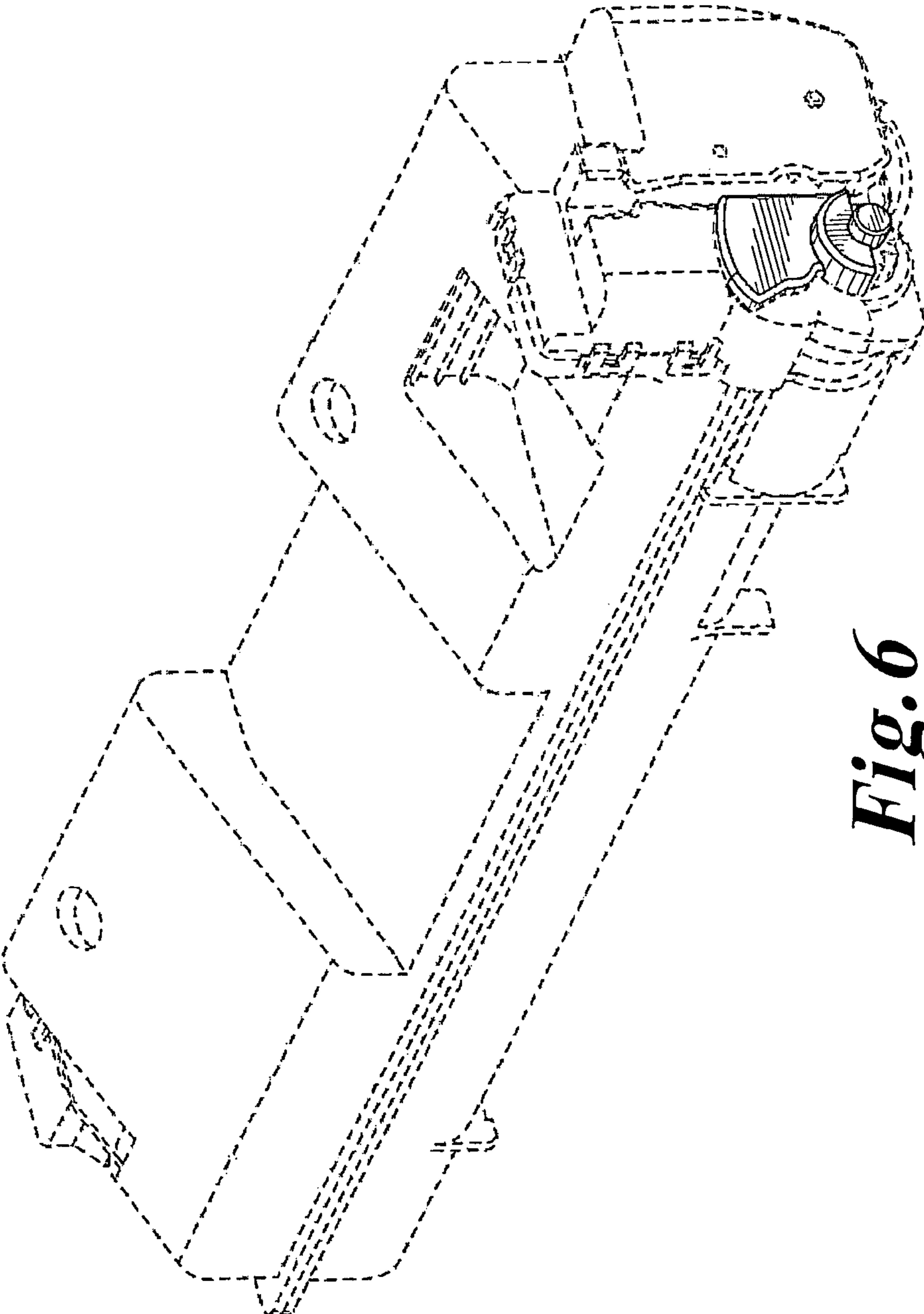


Fig. 6

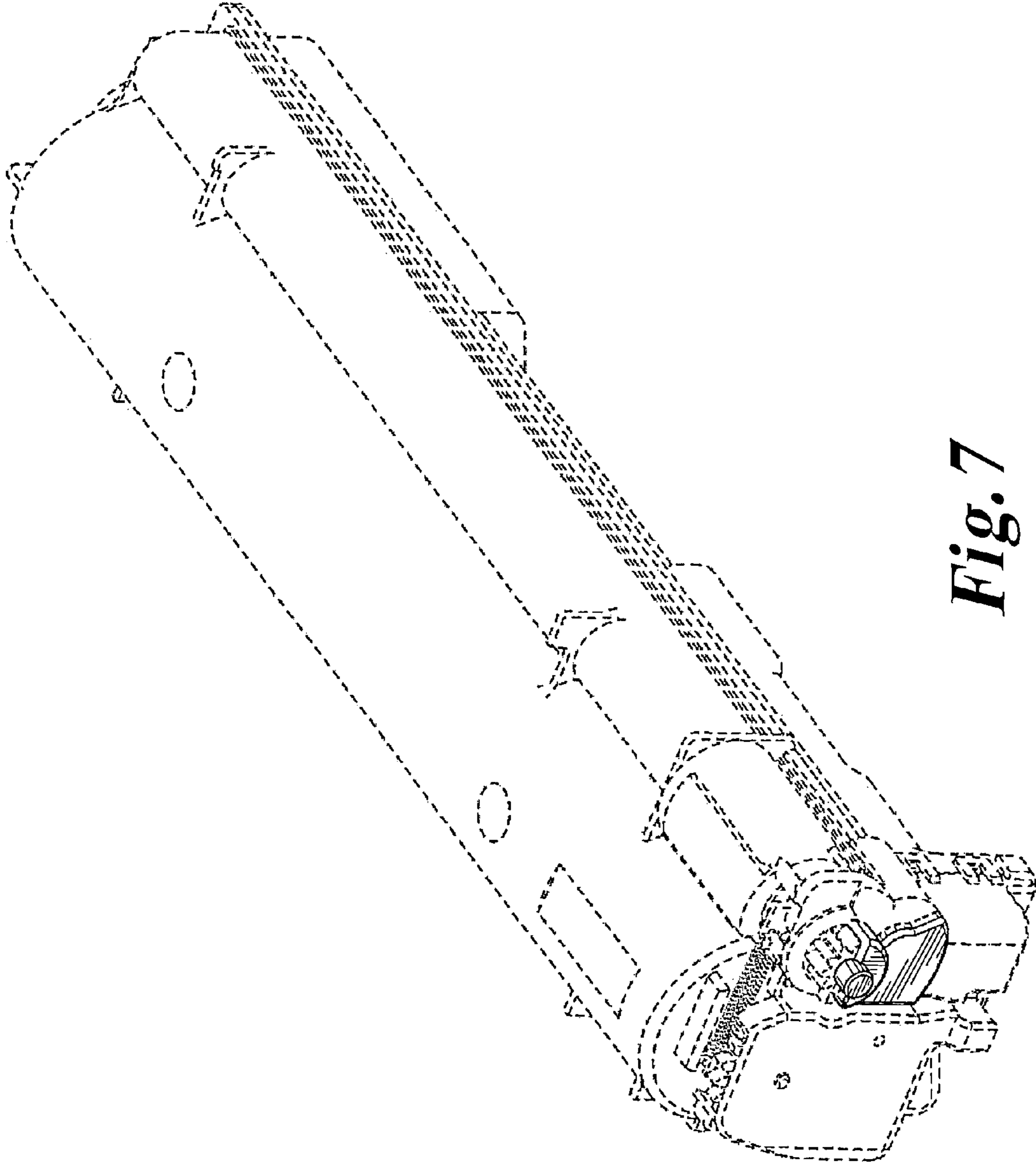


Fig. 7