



US00D698386S

(12) **United States Design Patent**  
**Takahashi et al.**

(10) **Patent No.:** **US D698,386 S**  
(45) **Date of Patent:** **\*\* Jan. 28, 2014**

(54) **POWDER CONTAINER**

(71) Applicants: **Masaki Takahashi**, Kawasaki (JP);  
**Kunihiro Ohyama**, Zama (JP); **Hideki Kimura**, Yokohama (JP)

(72) Inventors: **Masaki Takahashi**, Kawasaki (JP);  
**Kunihiro Ohyama**, Zama (JP); **Hideki Kimura**, Yokohama (JP)

(73) Assignee: **Ricoh Company, Ltd.**, Tokyo (JP)

(\*\*) Term: **14 Years**

(21) Appl. No.: **29/437,515**

(22) Filed: **Nov. 16, 2012**

(30) **Foreign Application Priority Data**

Oct. 9, 2012 (JP) ..... 2012-024452

(51) **LOC (10) Cl.** ..... **16-03**

(52) **U.S. Cl.**  
USPC ..... **D18/43**

(58) **Field of Classification Search**  
USPC ..... D14/471; D18/12, 36, 40, 43, 44, 56;  
222/DIG. 1; 347/197, 222; 399/24-28,  
399/107-112, 119, 121, 122, 222-224  
See application file for complete search history.

(56) **References Cited**

**U.S. PATENT DOCUMENTS**

D330,215 S	*	10/1992	Saito et al.	.....	D18/43
D374,456 S	*	10/1996	Wakatsuki et al.	.....	D18/43
D376,614 S	*	12/1996	Ichikawa et al.	.....	D18/43
D379,634 S	*	6/1997	Ootani et al.	.....	D18/43
D477,357 S	*	7/2003	Nakajima et al.	.....	D18/43

(Continued)

**OTHER PUBLICATIONS**

U.S. Appl. No. 29/404,270, filed Oct. 18, 2011, Takahashi et al.

*Primary Examiner* — Garth Rademaker

(74) *Attorney, Agent, or Firm* — Oblon, Spivak, McClelland, Maier & Neustadt, L.L.P.

(57) **CLAIM**

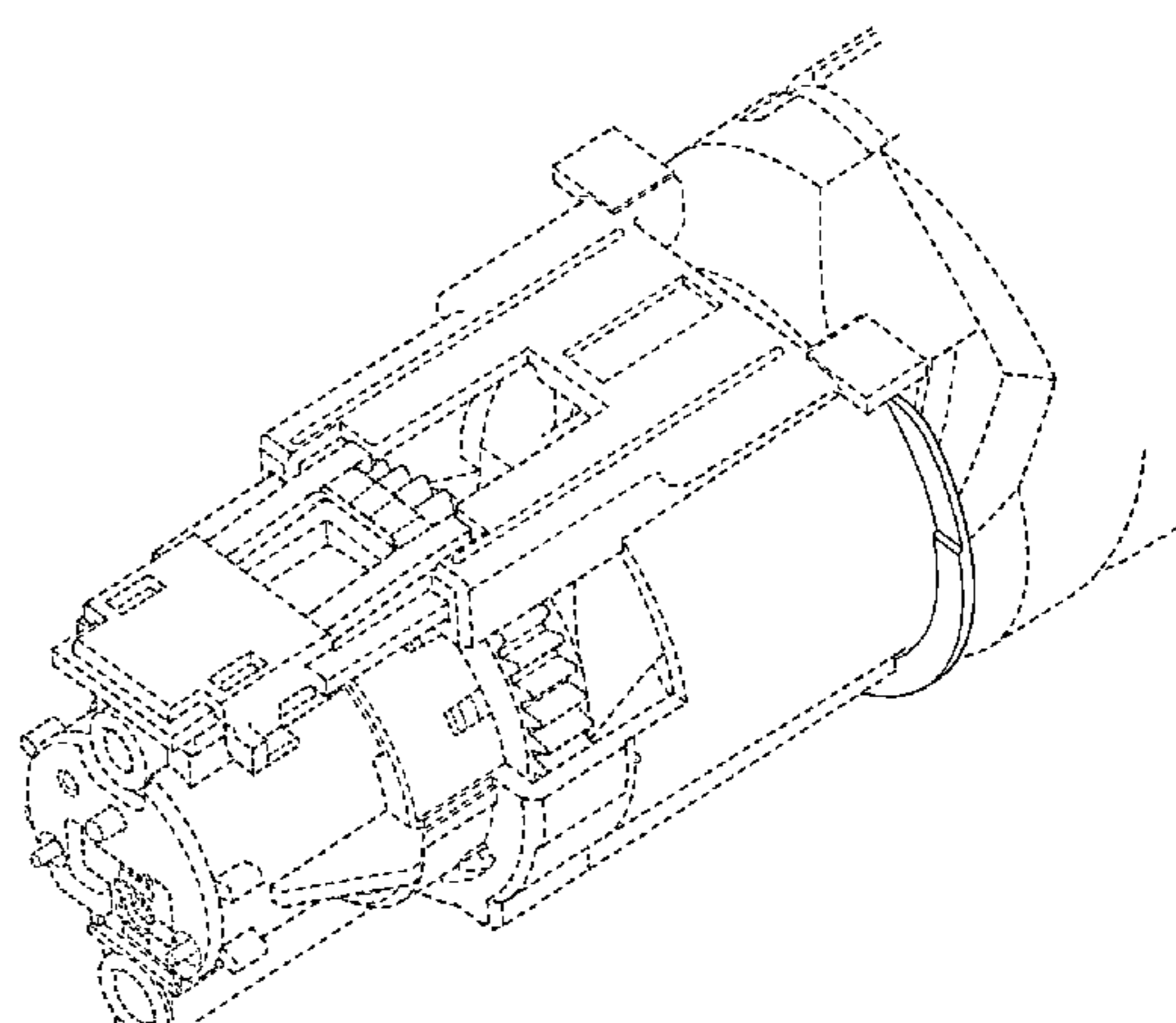
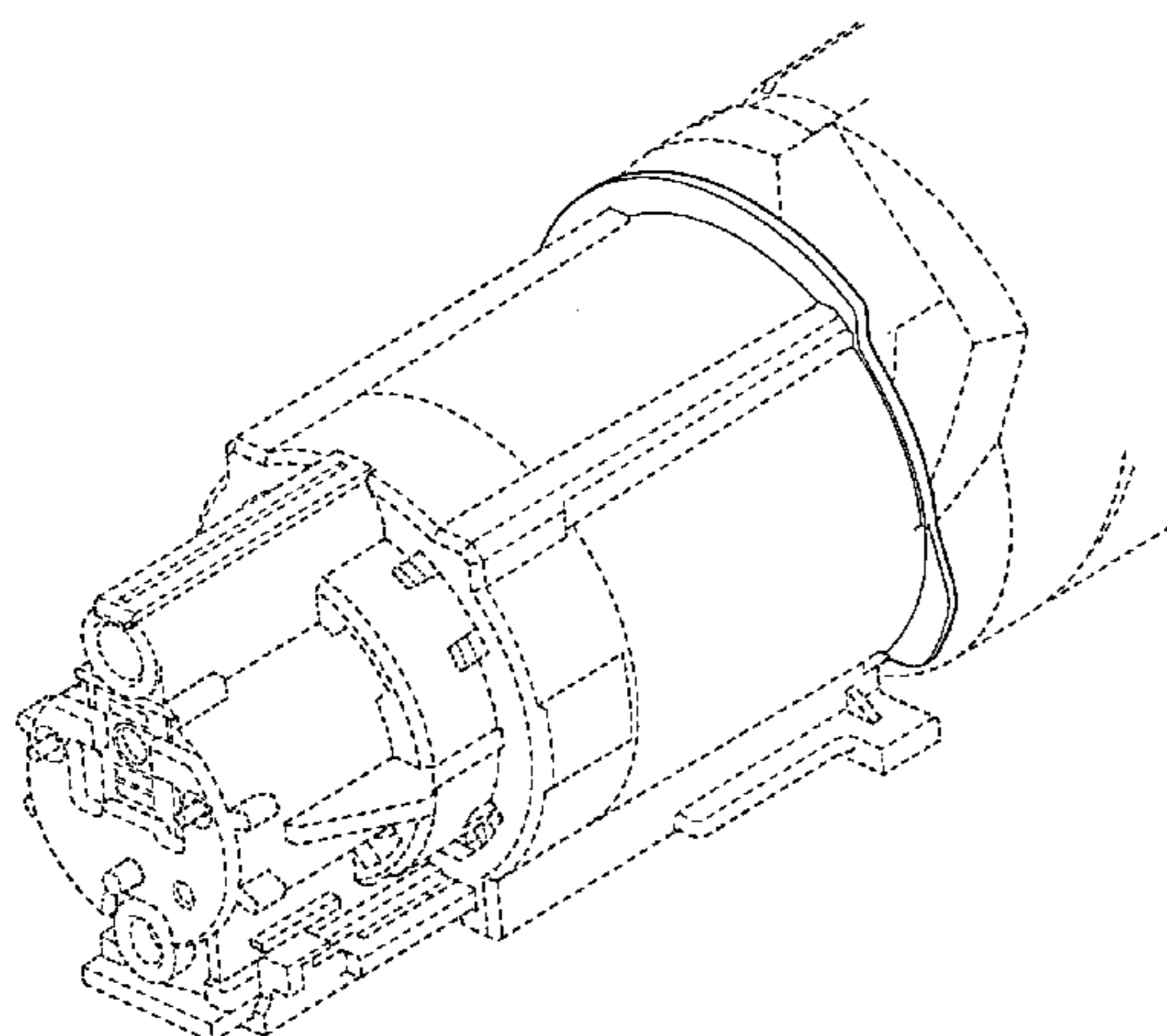
The ornamental design for a powder container, as shown and described.

**DESCRIPTION**

FIG. 1 is a front elevational view of a powder container;  
 FIG. 2 is a rear elevational view thereof;  
 FIG. 3 is a left side elevational view thereof;  
 FIG. 4 is a right side elevational view thereof;  
 FIG. 5 is a top plan view thereof;  
 FIG. 6 is a bottom plan view thereof;  
 FIG. 7 is a rear, top, and right side perspective view thereof;  
 FIG. 8 is a front, bottom, and right side perspective view thereof;  
 FIG. 9 is a front elevational view thereof, showing the portion indicated by line 9-9 of FIG. 1 at an enlarged scale;  
 FIG. 10 is a rear elevational view thereof, showing the portion indicated by line 10-10 of FIG. 2 at an enlarged scale;  
 FIG. 11 is a right side elevational view thereof, shown at an enlarged scale;  
 FIG. 12 is a top plan view thereof, showing the portion indicated by line 12-12 of FIG. 5 at an enlarged scale;  
 FIG. 13 is a bottom plan view thereof, showing the portion indicated by line 13-13 of FIG. 6 at an enlarged scale;  
 FIG. 14 is a rear, top, and right side perspective view thereof, showing the portion indicated by line 14-14 of FIG. 7 at an enlarged scale; and,  
 FIG. 15 is a front, bottom, and right side perspective view thereof, showing the portion indicated by line 15-15 of FIG. 8 at enlarged scale.

The broken lines in the drawings depict environmental subject matter only and form no part of the claimed design.

**1 Claim, 8 Drawing Sheets**



(56)

**References Cited**

U.S. PATENT DOCUMENTS

D650,414 S 12/2011 Takami  
D655,748 S 3/2012 Takami  
D656,181 S 3/2012 Kikuchi et al.

D667,048 S \* 9/2012 Oshikawa ..... D18/43  
2009/0010681 A1 \* 1/2009 Huck et al. .... 399/167  
2011/0243579 A1 \* 10/2011 Oshikawa et al. .... 399/12

\* cited by examiner

FIG.1

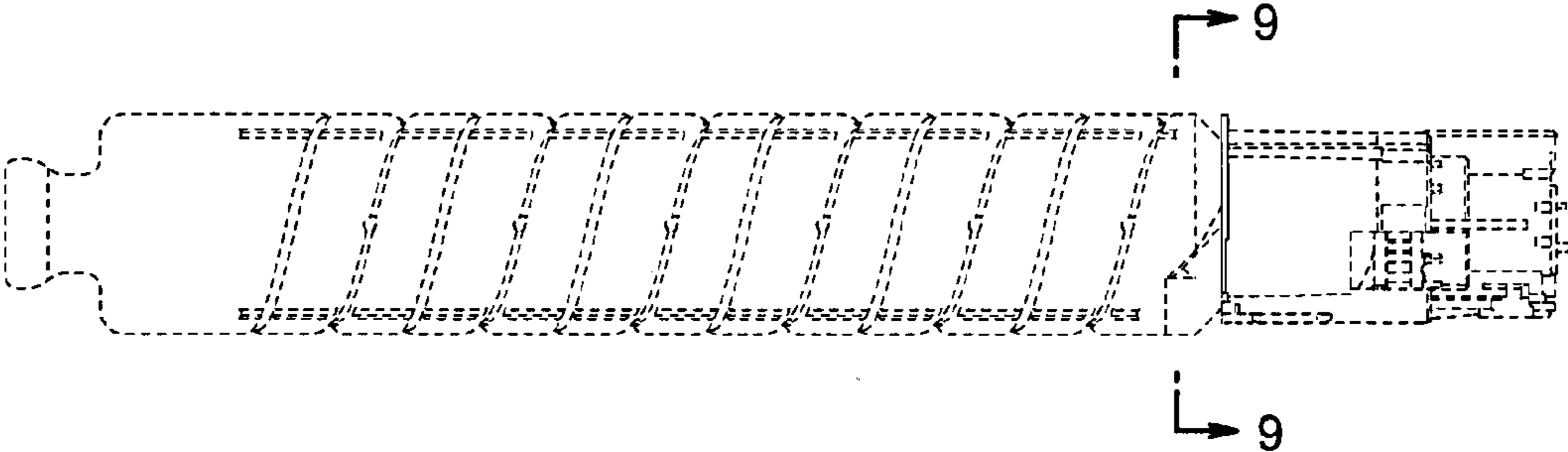


FIG.2

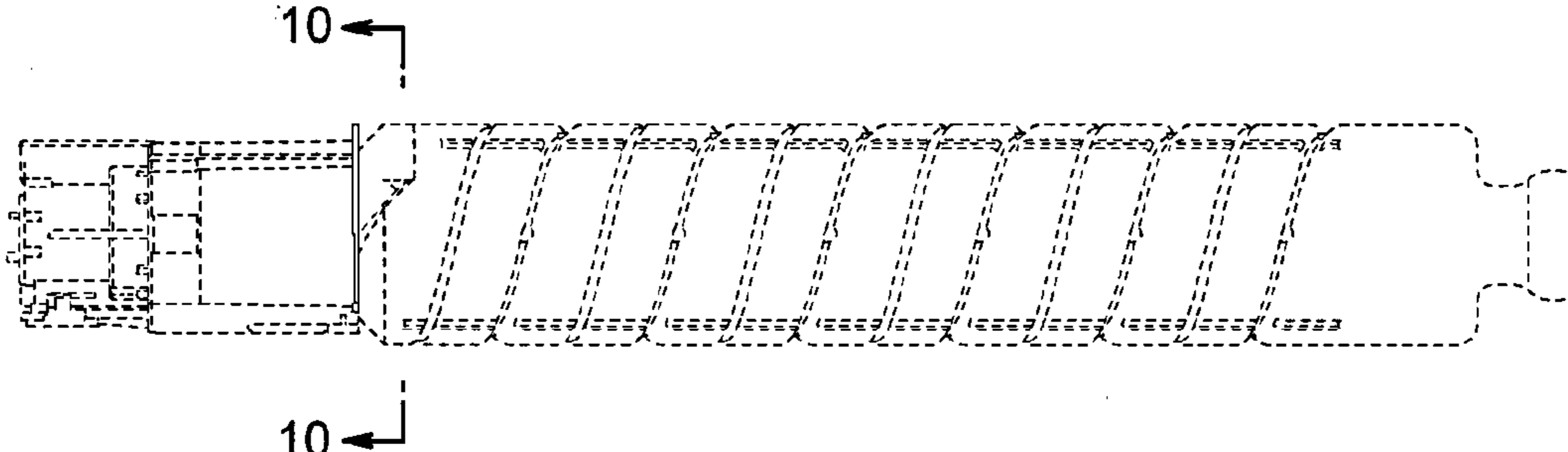


FIG.3

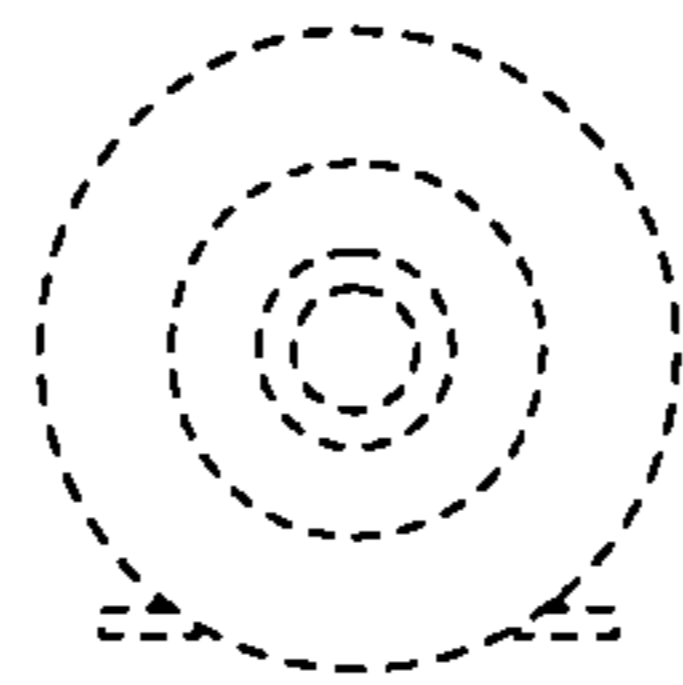


FIG.4

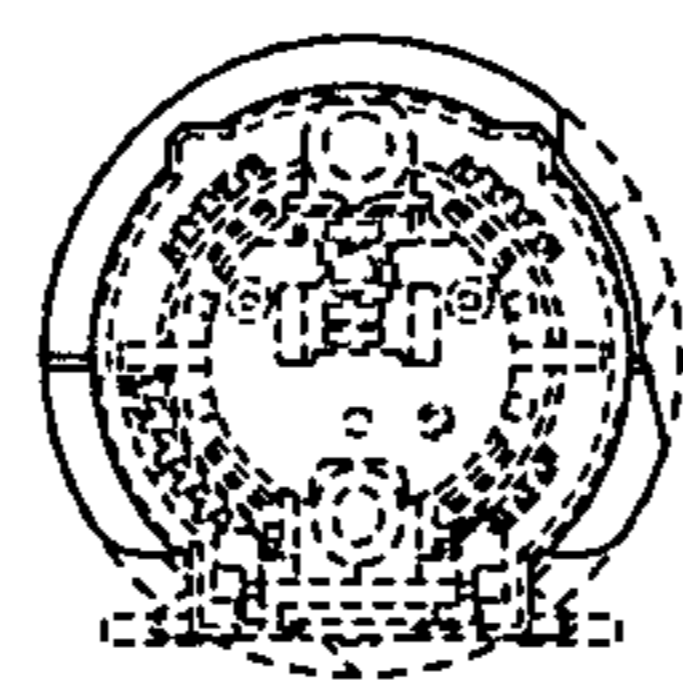


FIG.5

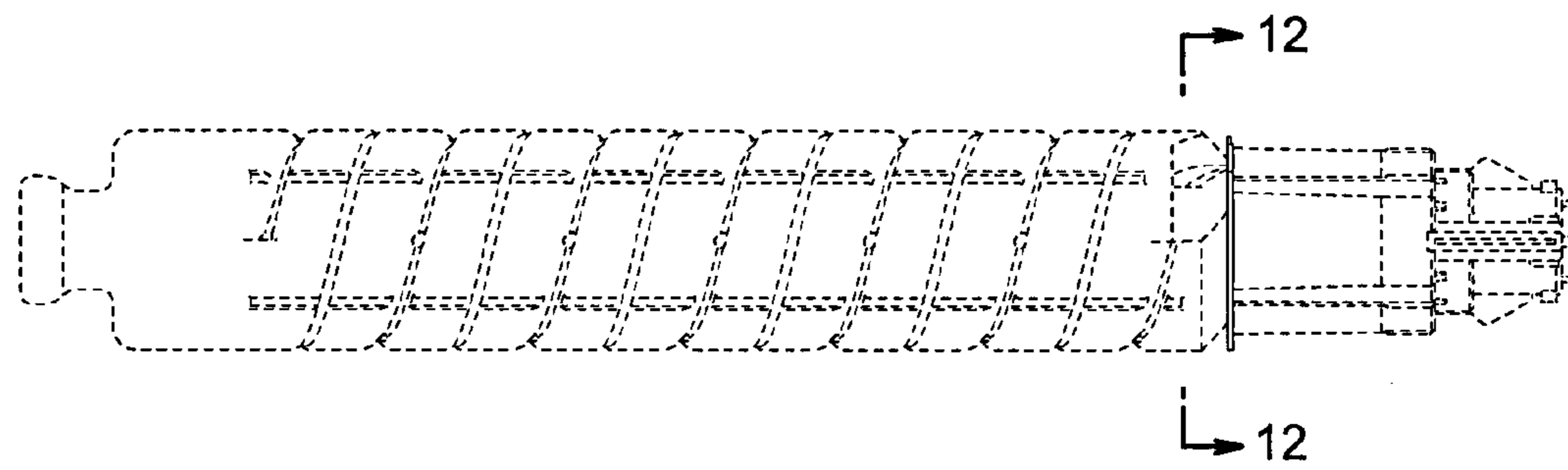


FIG.6

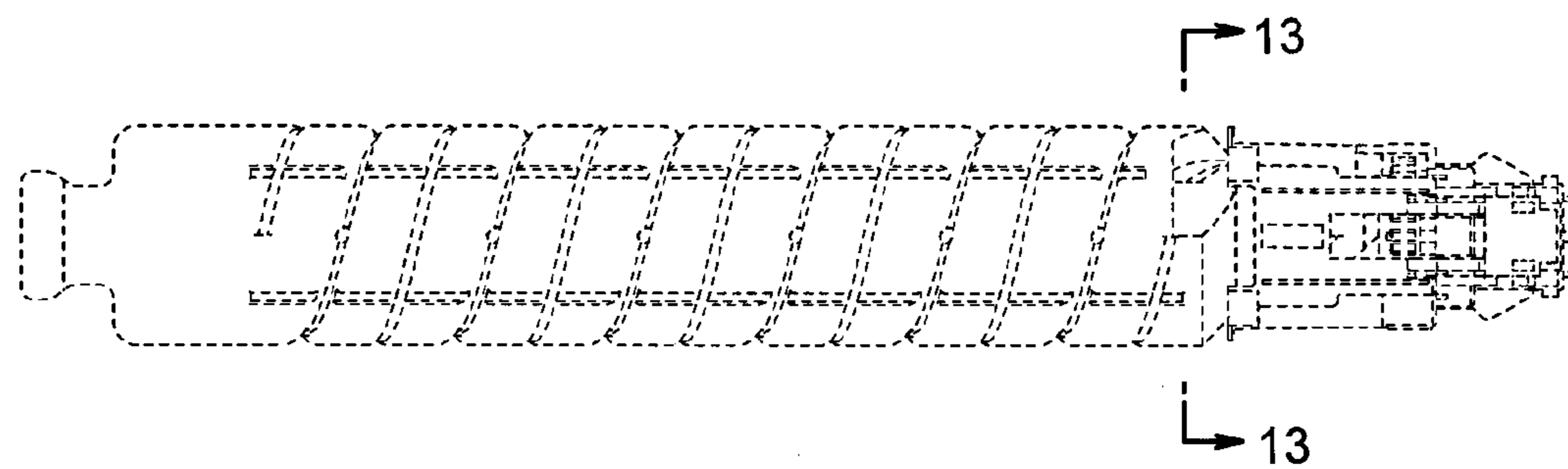


FIG.7

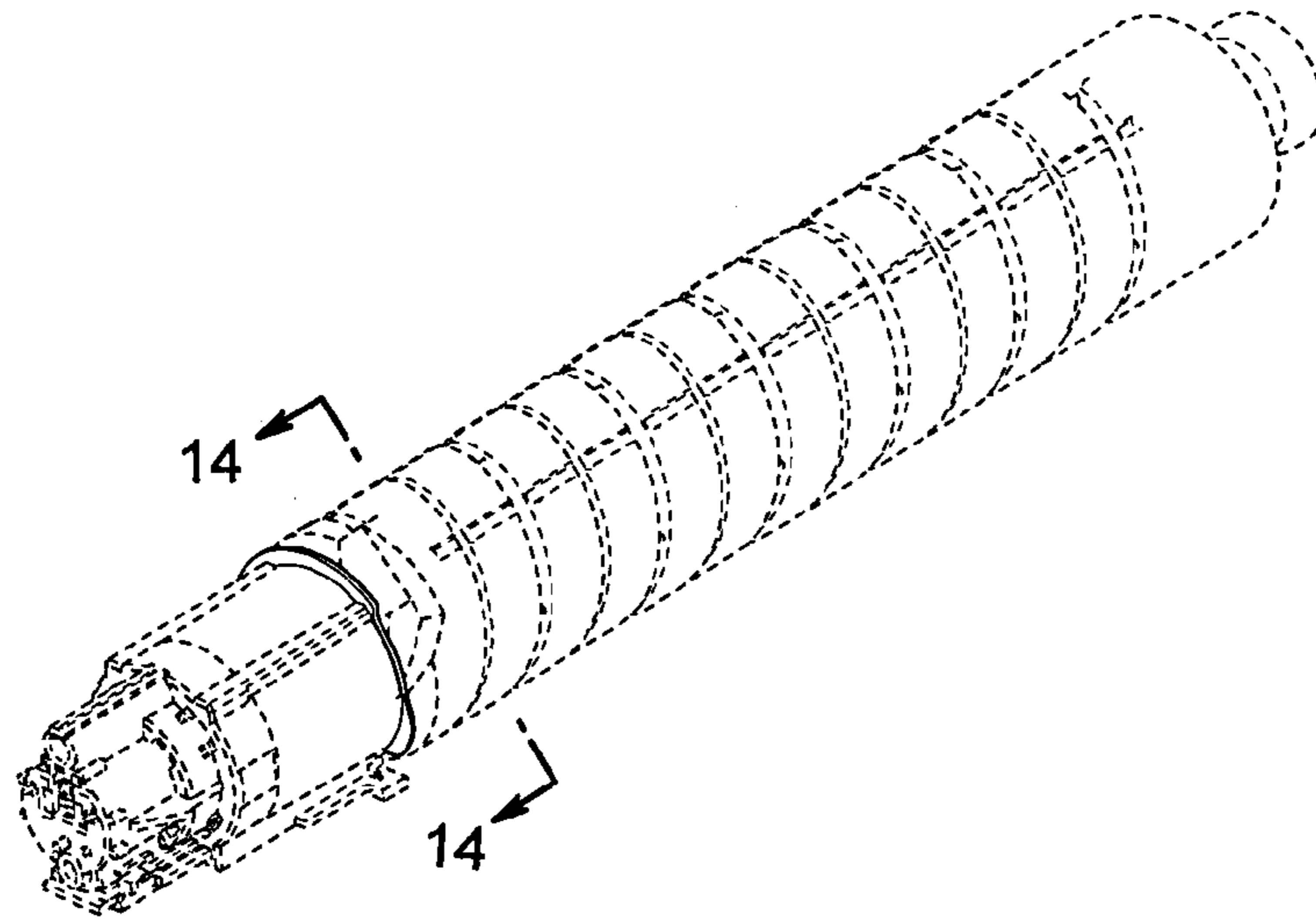


FIG.8

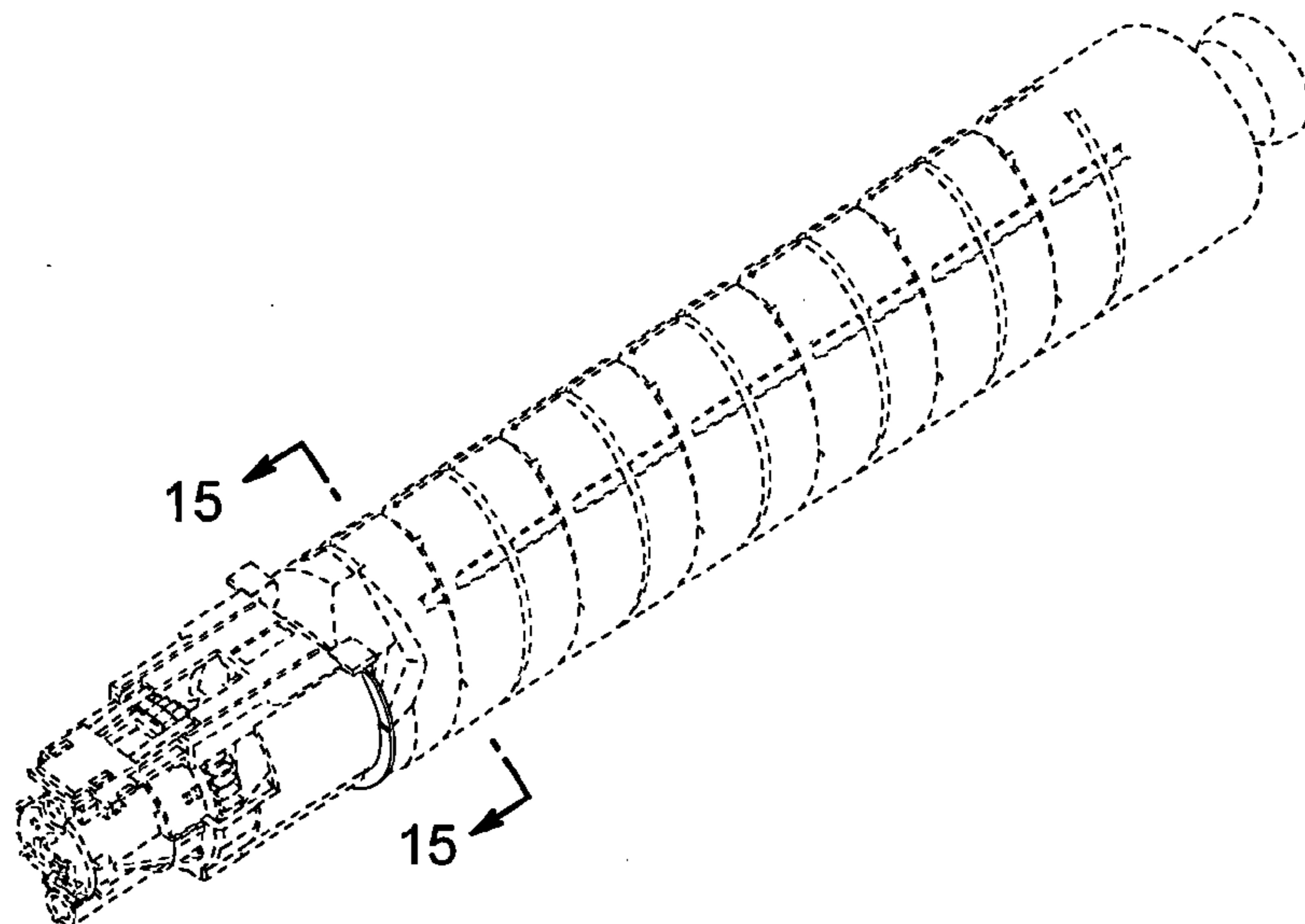




FIG.9

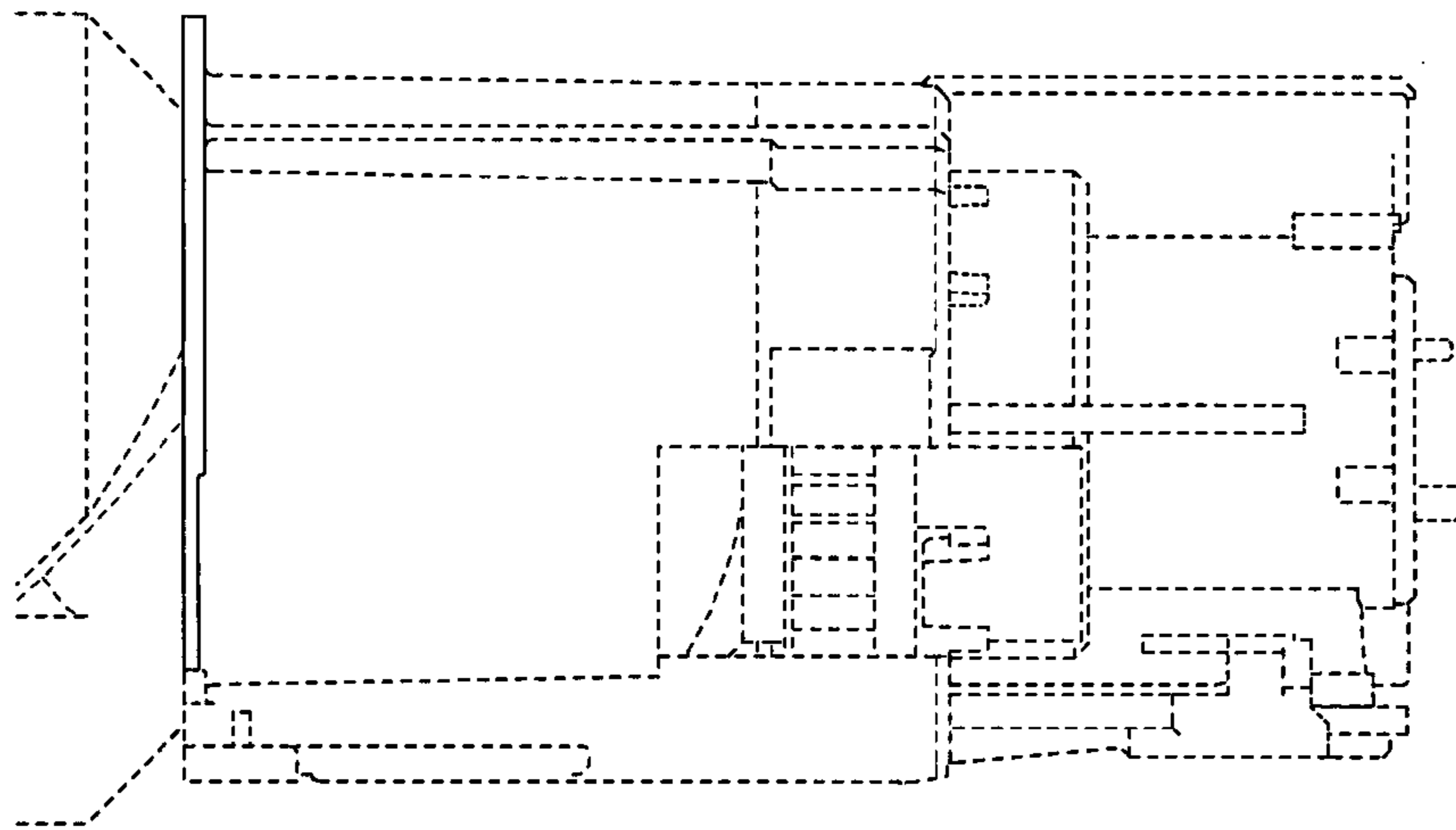


FIG.10

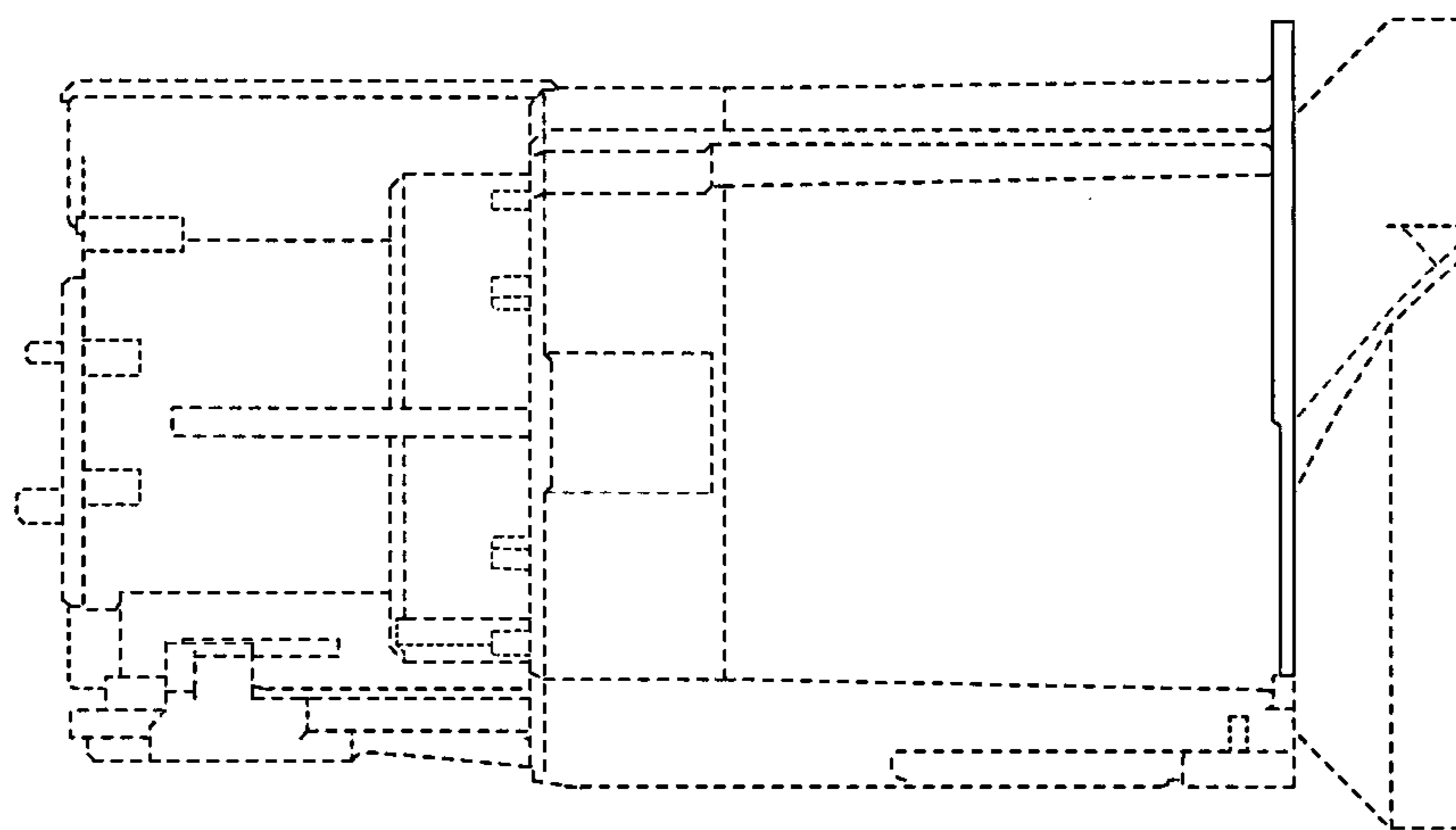


FIG.11

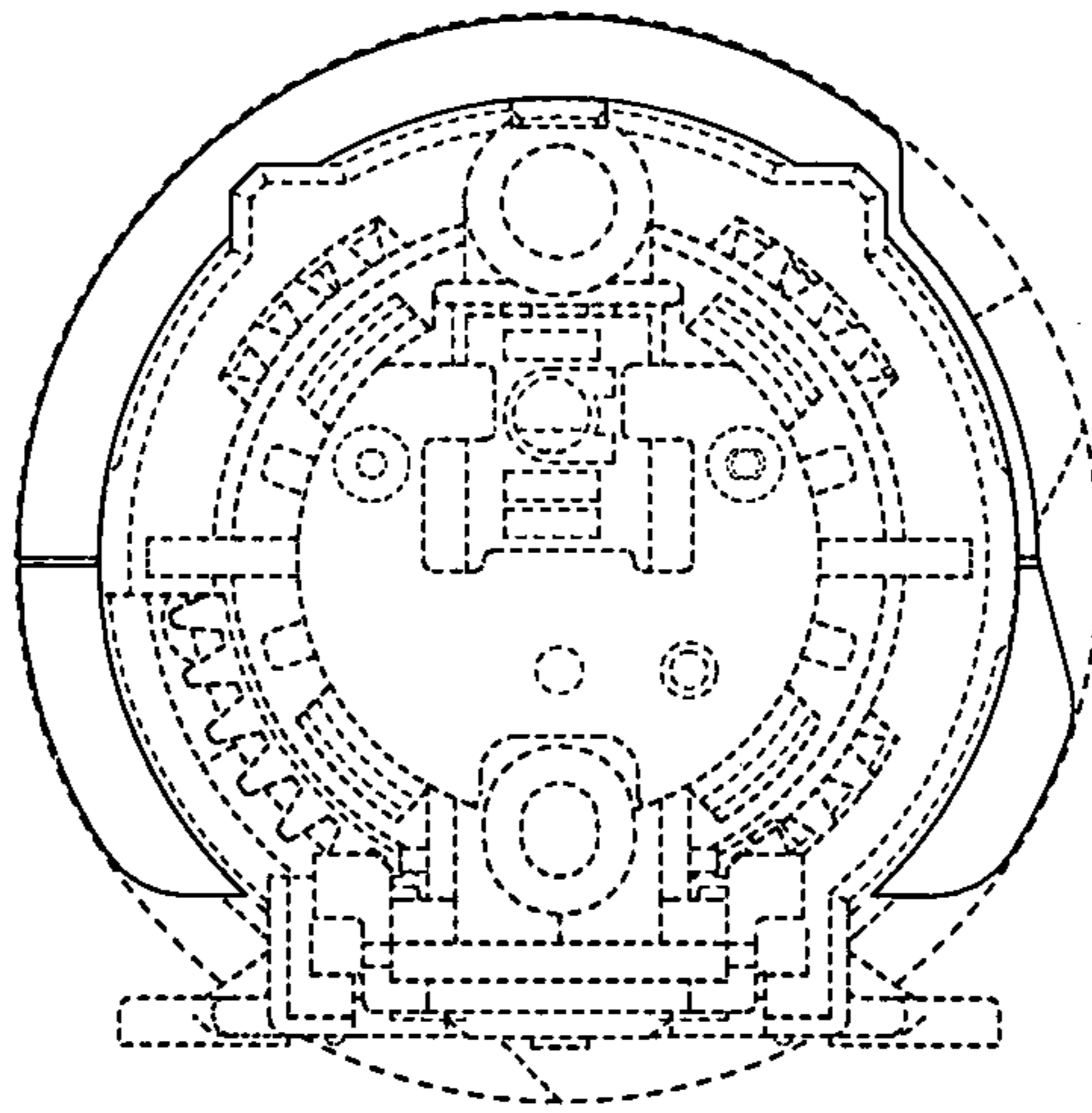


FIG.12

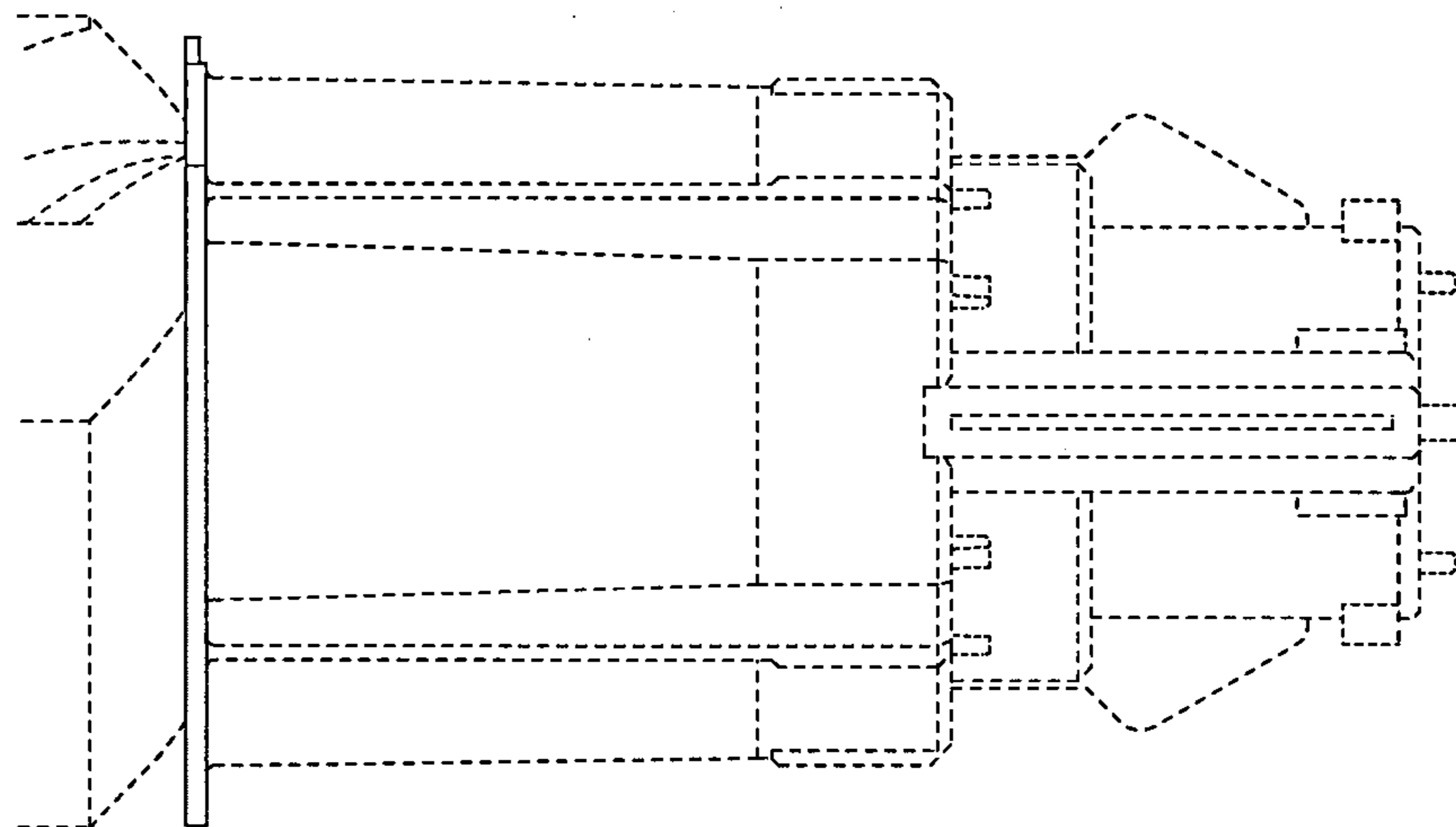




FIG. 13

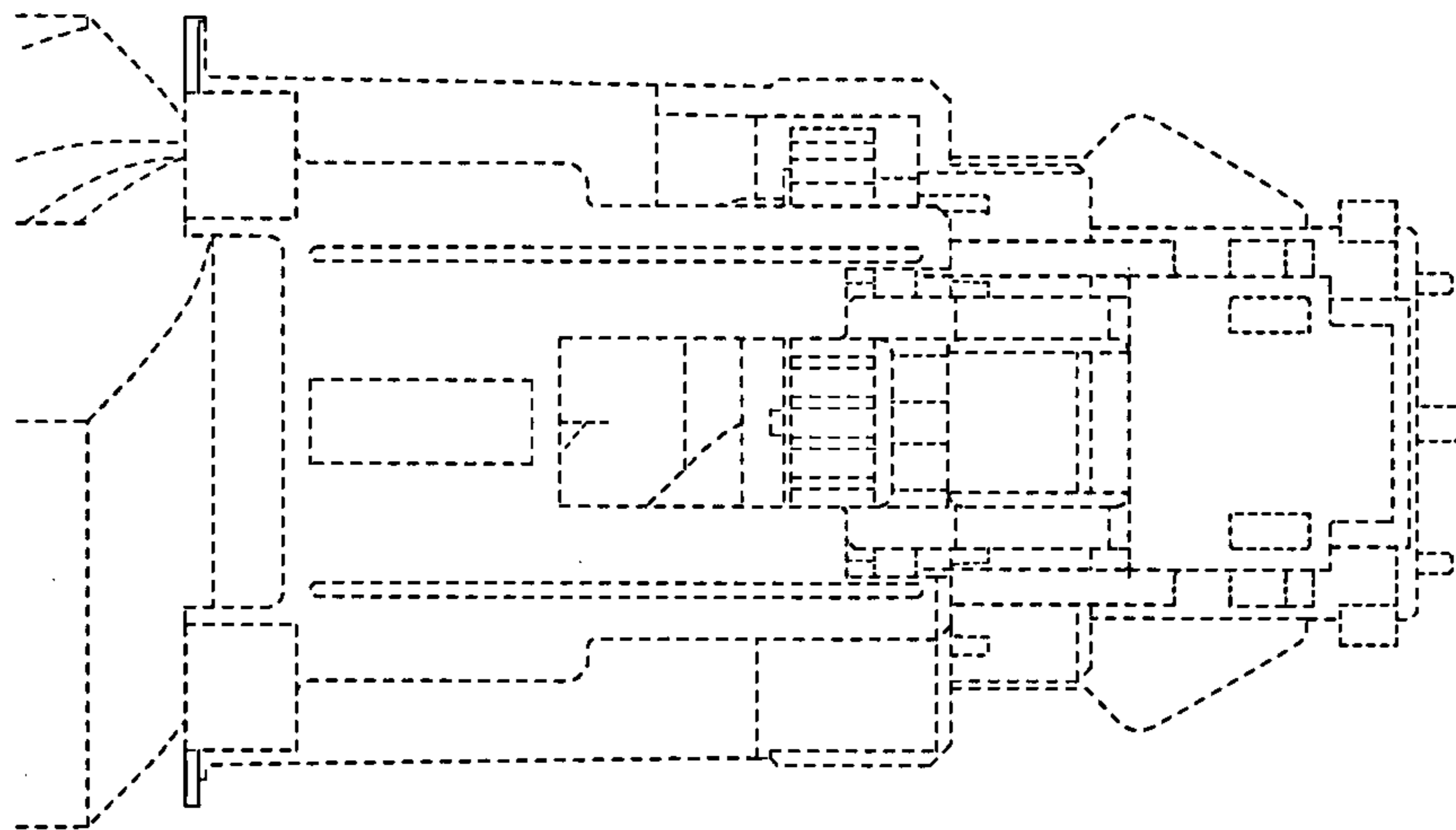


FIG.14

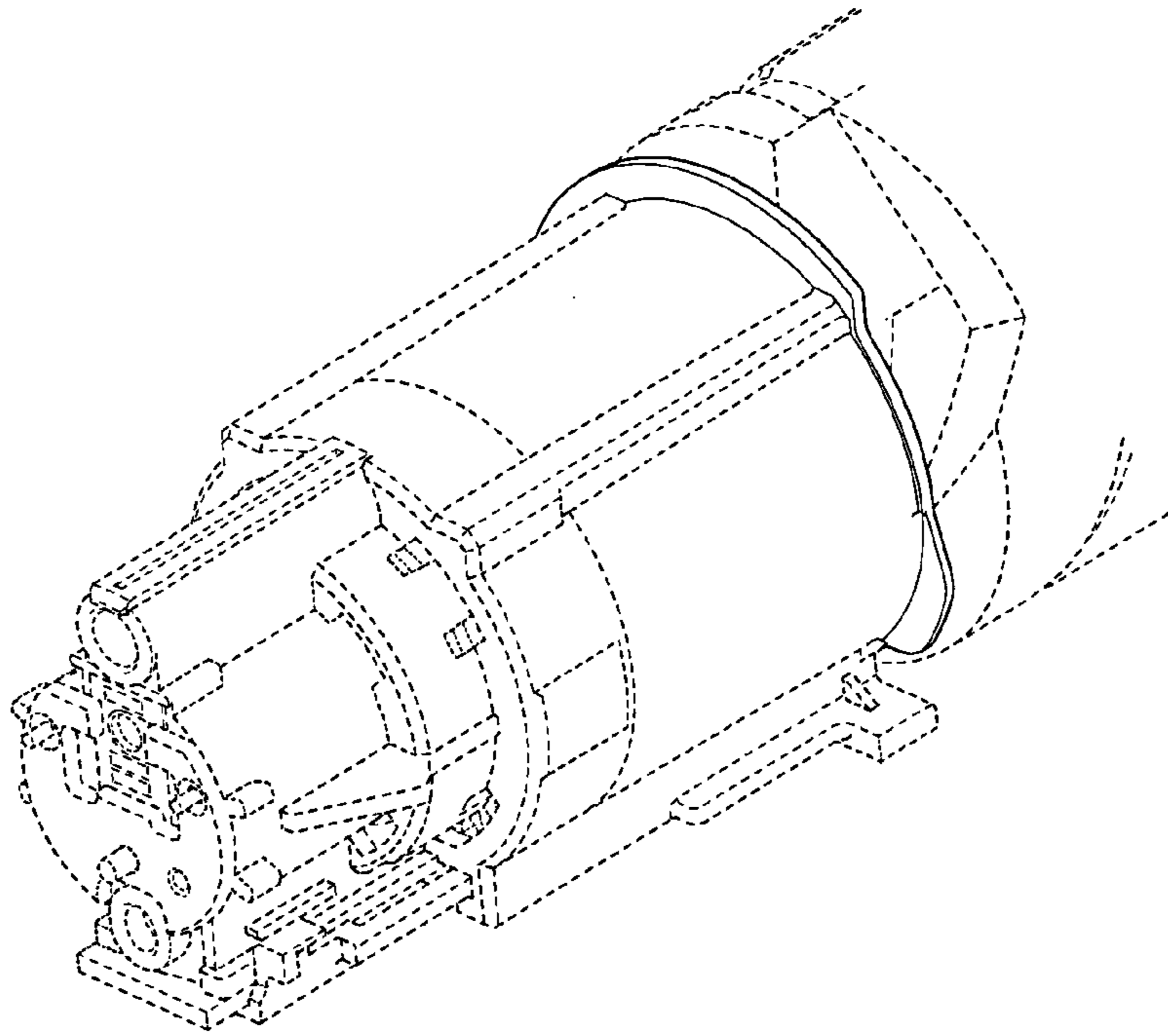


FIG.15

