



US00D698384S

(12) **United States Design Patent**
Cruz

(10) **Patent No.:** **US D698,384 S**
(45) **Date of Patent:** **** Jan. 28, 2014**

(54) **ELECTRONIC TABLET KIOSK WITH INTEGRATED PAYMENT MODULE**

(76) Inventor: **Michael Cruz**, Homestead, FL (US)

(**) Term: **14 Years**

(21) Appl. No.: **29/431,017**

(22) Filed: **Aug. 31, 2012**

(51) **LOC (10) Cl.** **18-01**

(52) **U.S. Cl.**
USPC **D18/4.4**

(58) **Field of Classification Search**
USPC D14/336, 341, 345, 346, 371-376, 387;
D18/3.1-3.3, 4.1-4.6, 6-8, 11, 12,
D18/12.1-12.3; D21/324, 325, 332;
D99/28, 34-36, 43; 235/1 E, 2, 7 R, 12,
235/22, 33, 51, 52; 705/12, 15-18, 43

See application file for complete search history.

(56) **References Cited**

U.S. PATENT DOCUMENTS

D424,535 S *	5/2000	Peltola	D14/336
D463,419 S *	9/2002	Russmann et al.	D14/336
D496,034 S *	9/2004	Guerrera et al.	D14/336
D502,944 S *	3/2005	Kawami et al.	D14/336
D507,592 S *	7/2005	Mizusugi et al.	D18/4.1
D508,565 S *	8/2005	Nepkin et al.	D14/336

D533,214 S *	12/2006	Oas	D18/7
D580,930 S *	11/2008	Chien et al.	D14/346
D604,299 S *	11/2009	Acevedo	D14/346
D638,012 S *	5/2011	Tian et al.	D14/341
D640,252 S *	6/2011	Kuroda et al.	D18/4.5
D640,689 S *	6/2011	Leung et al.	D14/346
D676,900 S *	2/2013	Ohno et al.	D18/4.4

* cited by examiner

Primary Examiner — Garth Rademaker

(74) *Attorney, Agent, or Firm* — Sanchelima & Associates, P.A.

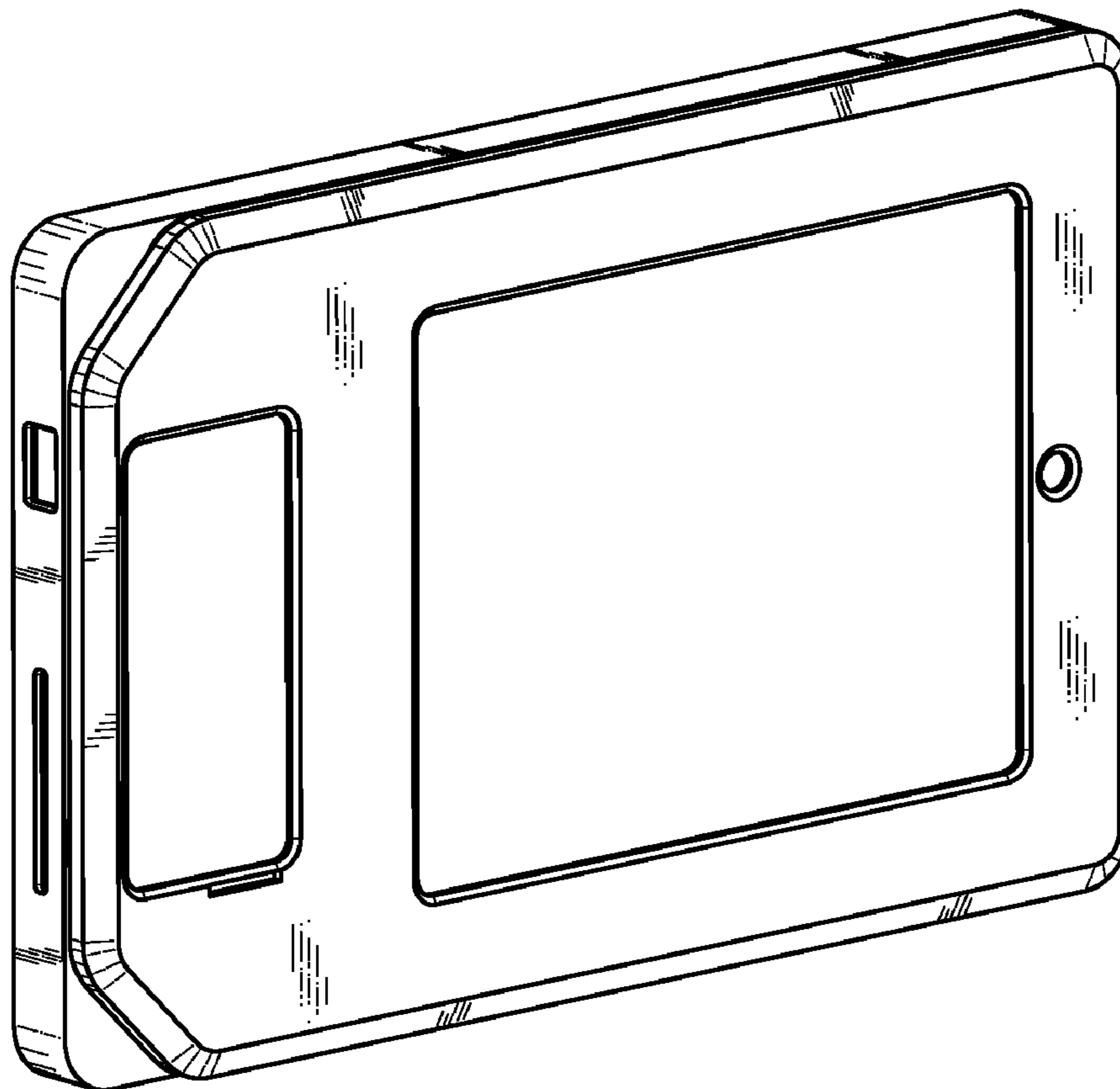
(57) **CLAIM**

The ornamental design for an electronic tablet kiosk with integrated payment module, as shown and described.

DESCRIPTION

FIG. 1 is an isometric view of an electronic tablet kiosk with integrated payment module showing my new design; FIG. 2 is a front elevational view thereof; FIG. 3 is a rear elevational view thereof; FIG. 4 is a bottom plan view thereof; FIG. 5 is a top plan view thereof; FIG. 6 is a right elevational view thereof; and, FIG. 7 is a left side elevational view thereof.

1 Claim, 3 Drawing Sheets



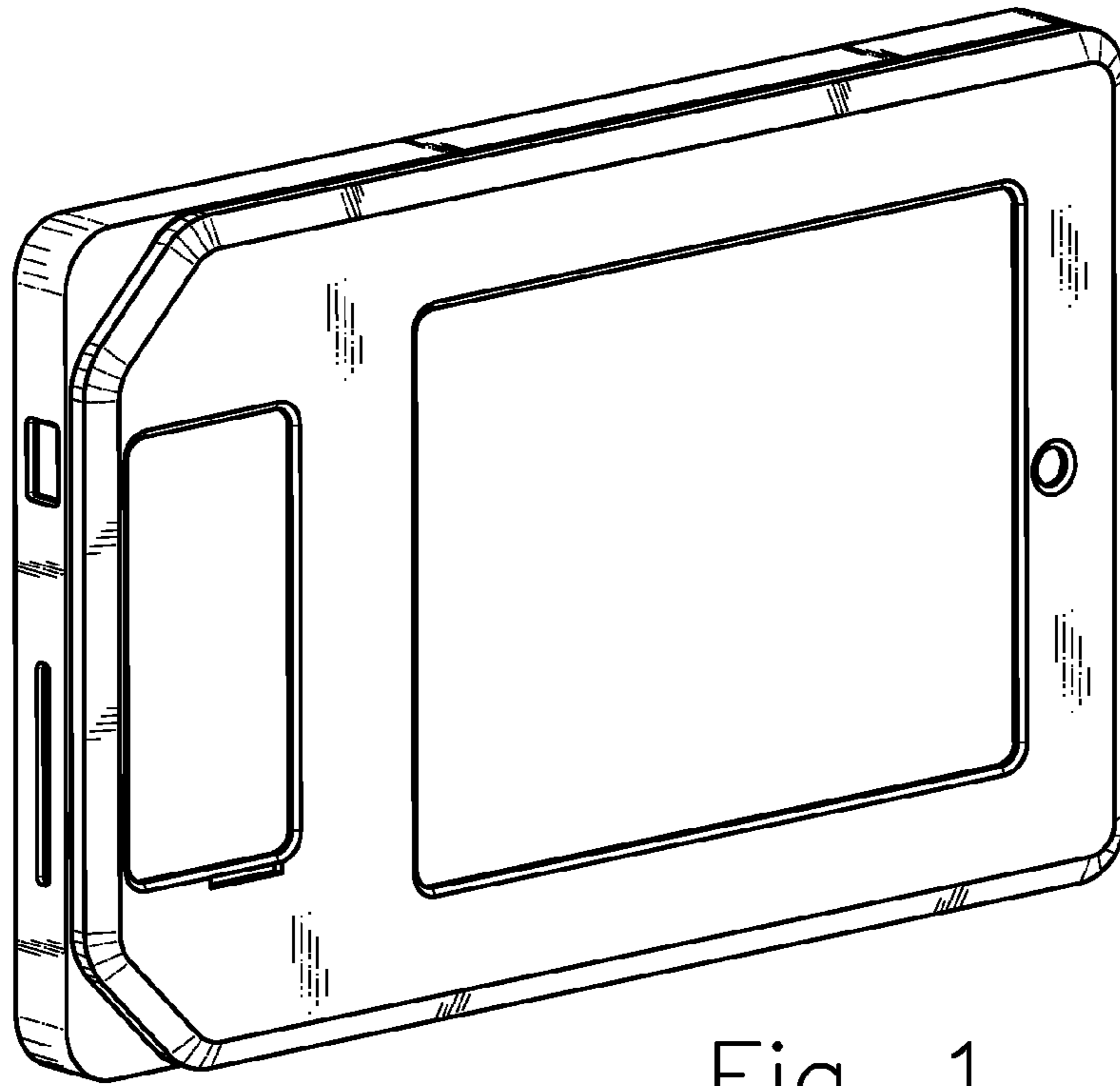


Fig. 1

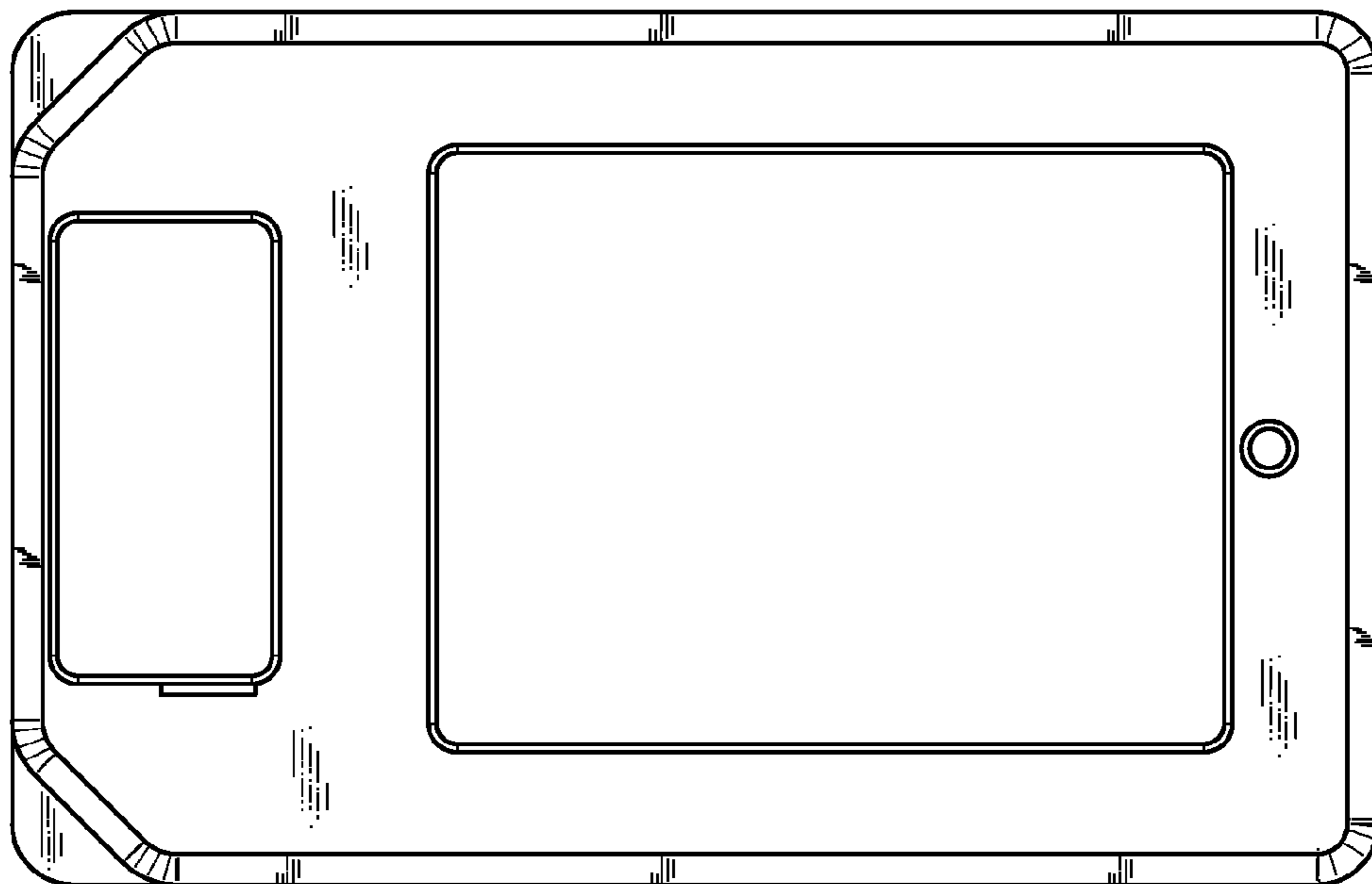


Fig. 2

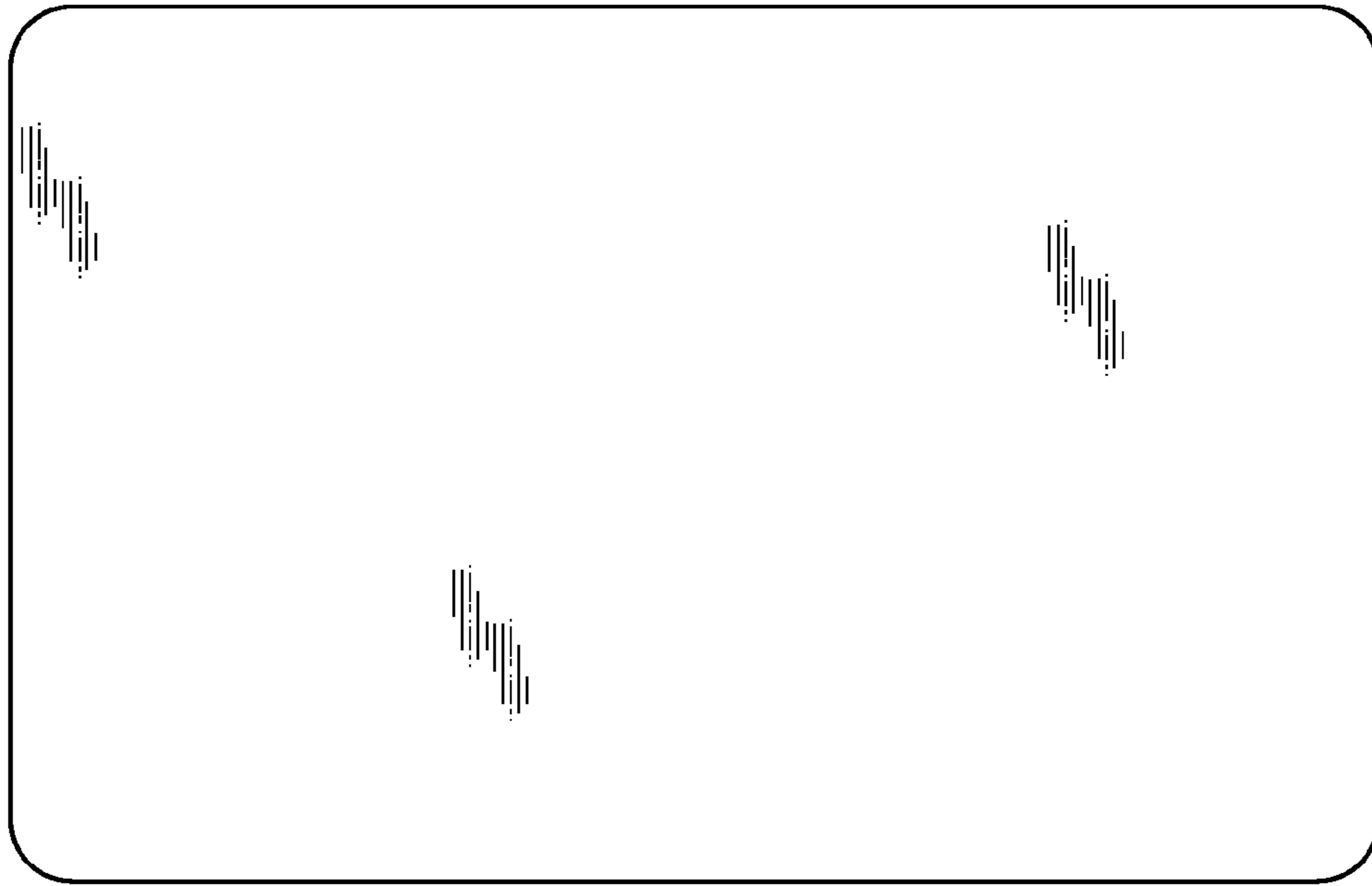


Fig. 3

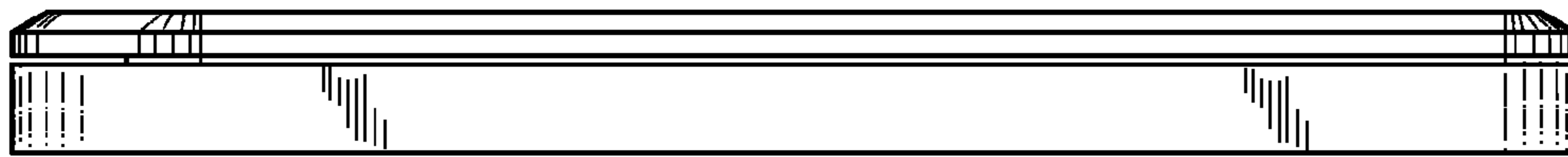


Fig. 4

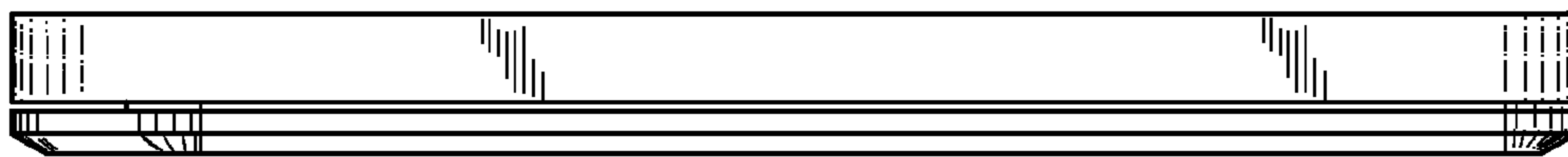


Fig. 5

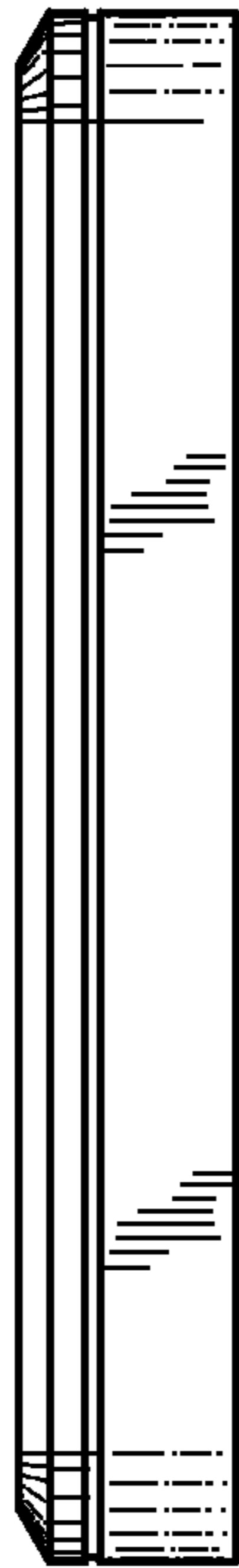


Fig. 6

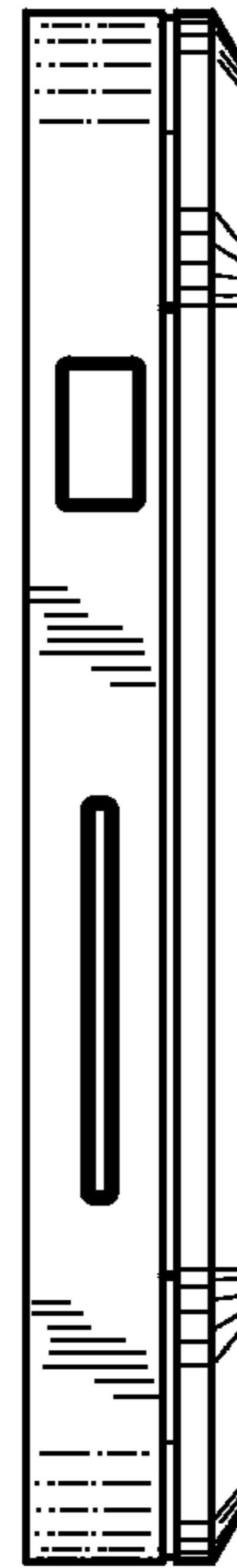


Fig. 7