



US00D698381S

(12) **United States Design Patent**
Arimoto et al.

(10) **Patent No.:** **US D698,381 S**
(45) **Date of Patent:** **** Jan. 28, 2014**

(54) **CAMCORDER**

(71) Applicant: **JVC Kenwood Corporation**, Kanagawa
(JP)

(72) Inventors: **Takuya Arimoto**, Tokyo (JP); **Eiichiro Hayashi**, Tokyo (JP)

(73) Assignee: **JVC Kenwood Corporation**,
Yokohama-shi, Kanagawa (JP)

(**) Term: **14 Years**

(21) Appl. No.: **29/440,940**

(22) Filed: **Dec. 28, 2012**

(30) **Foreign Application Priority Data**

Jul. 30, 2012 (JP) 2012-018044

(51) **LOC (10) Cl.** **16-01**

(52) **U.S. Cl.**
USPC **D16/202**

(58) **Field of Classification Search**
USPC D16/200, 202, 203, 204, 218;
348/373–376; 396/535, 540, 541

See application file for complete search history.

(56) **References Cited**

U.S. PATENT DOCUMENTS

D588,176	S	*	3/2009	Tanifuji et al.	D16/202
D593,588	S	*	6/2009	Tsuchiya et al.	D16/202
D593,589	S	*	6/2009	Tanifuji	D16/202
D593,590	S	*	6/2009	Tanifuji et al.	D16/202
D609,729	S	*	2/2010	Yoshii	D16/202
7,784,156	B2	*	8/2010	Sugimura et al.	348/333.06
D629,823	S	*	12/2010	Tanifuji et al.	D16/202
2007/0153120	A1	*	7/2007	Kajikawa et al.	348/373

* cited by examiner

Primary Examiner — Adir Aronovich

(74) *Attorney, Agent, or Firm* — Osha Liang LLP

(57) **CLAIM**

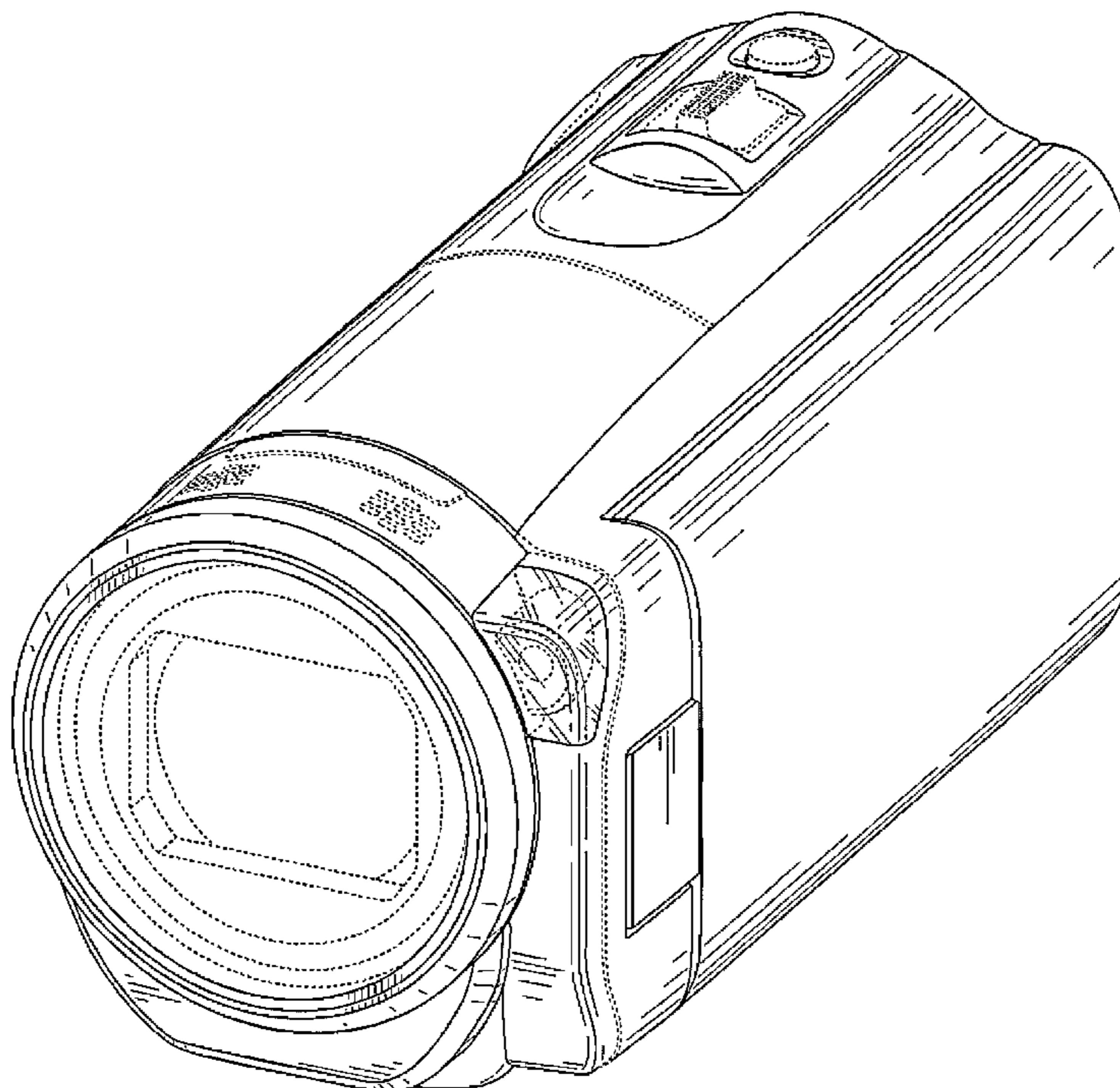
The ornamental design for camcorder, as shown and described.

DESCRIPTION

FIG. 1 is a front, top and right side perspective view of a camcorder showing our new design;
FIG. 2 is a front elevational view thereof;
FIG. 3 is a rear elevational view thereof;
FIG. 4 is a left side elevational view thereof;
FIG. 5 is right side elevational view thereof;
FIG. 6 is a top plan view thereof; and,
FIG. 7 is bottom plan view thereof.

The broken lines showing of camcorder is included for the purpose of illustrating portions of camcorder and forms no part of the claimed design.

1 Claim, 6 Drawing Sheets



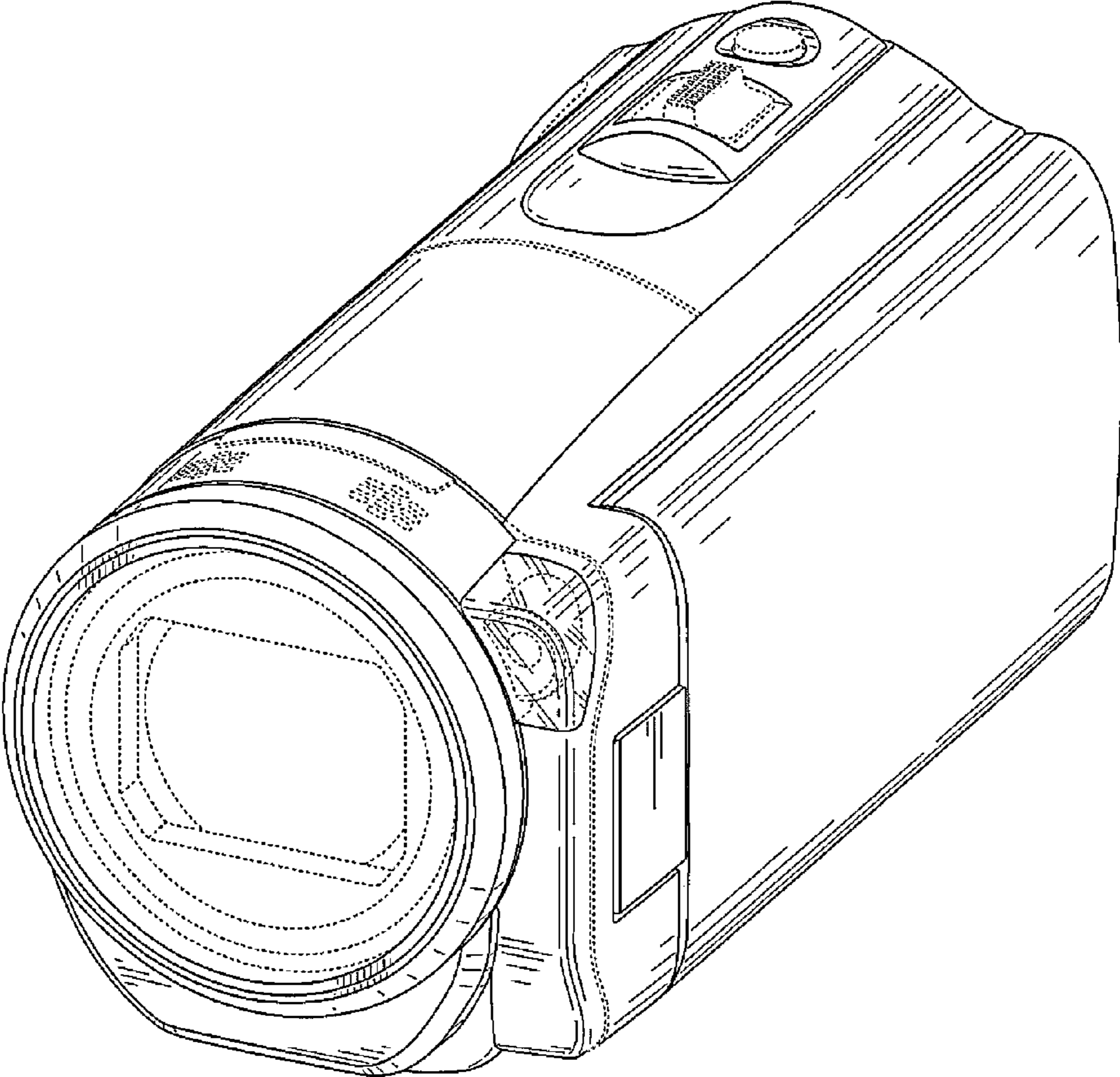


FIG. 1

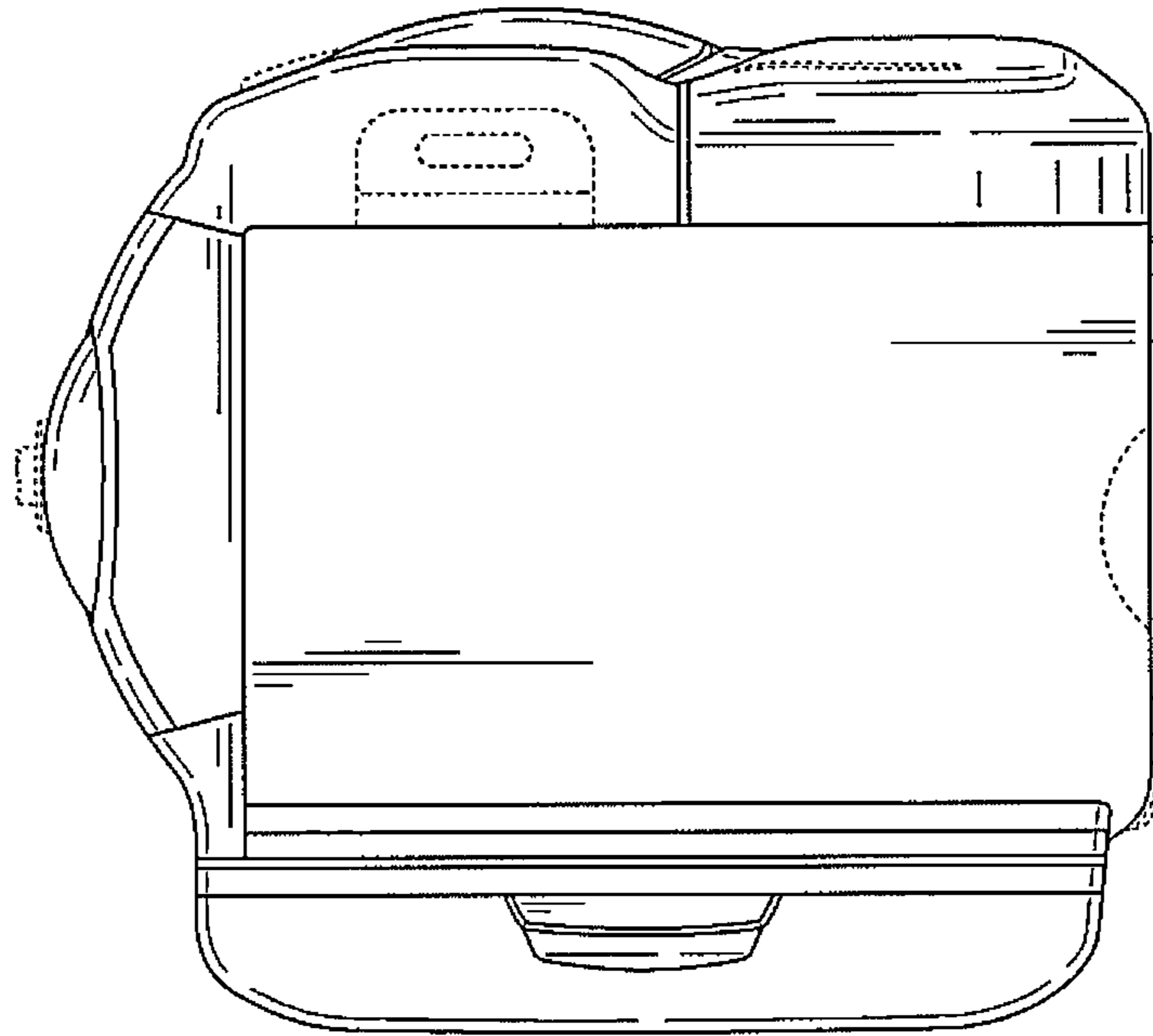


FIG. 3

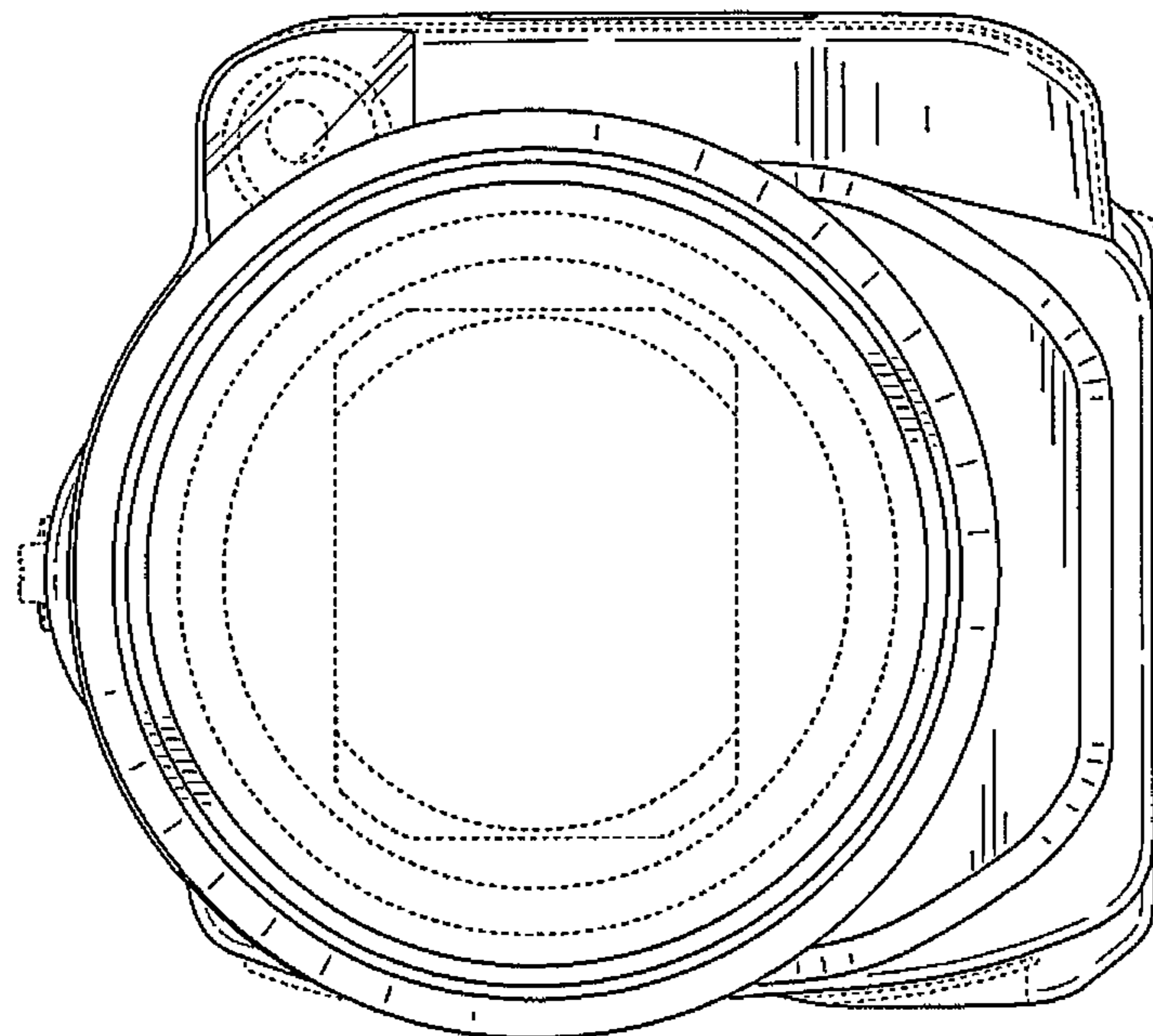


FIG. 2



FIG. 4

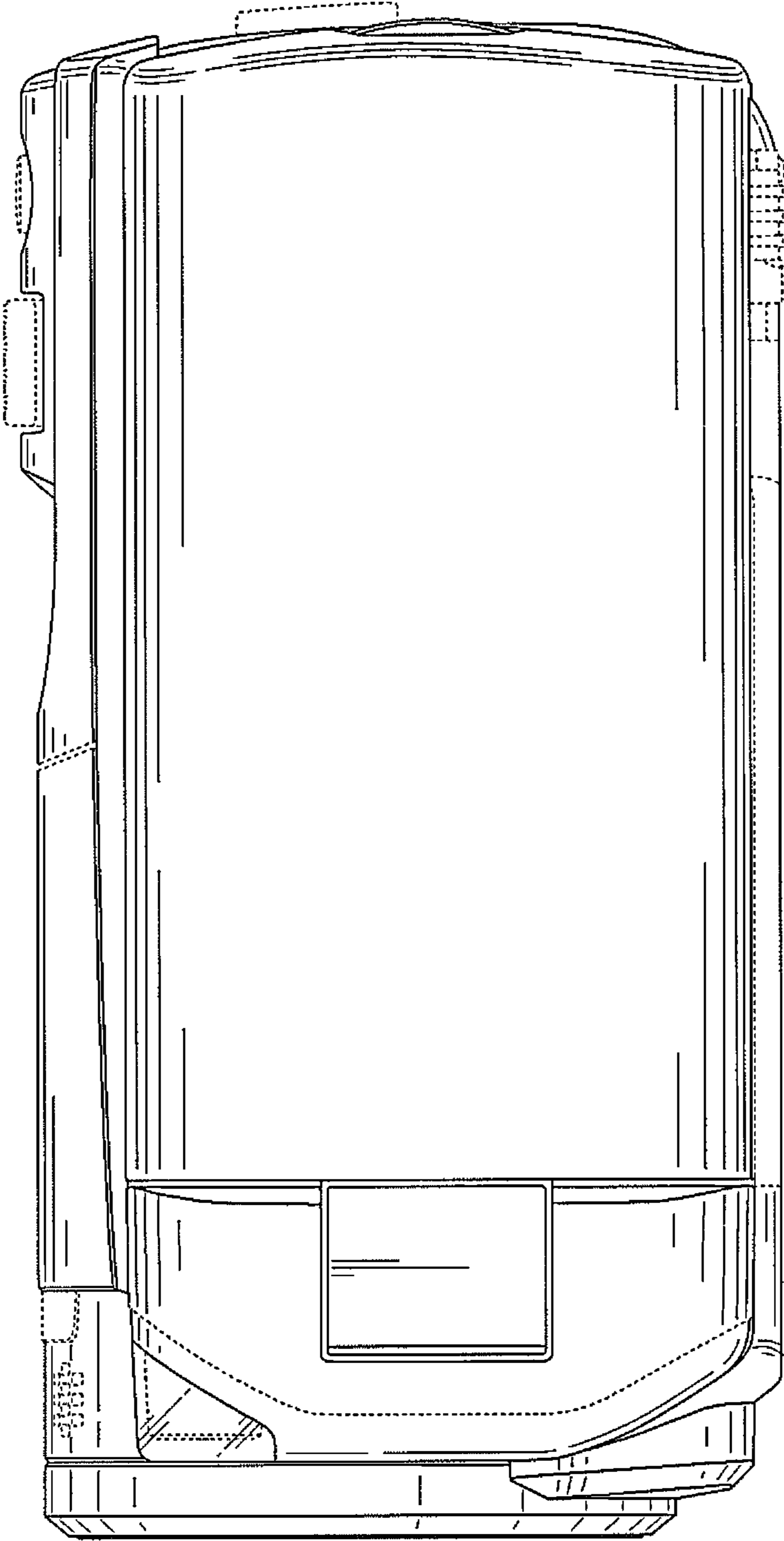


FIG. 5

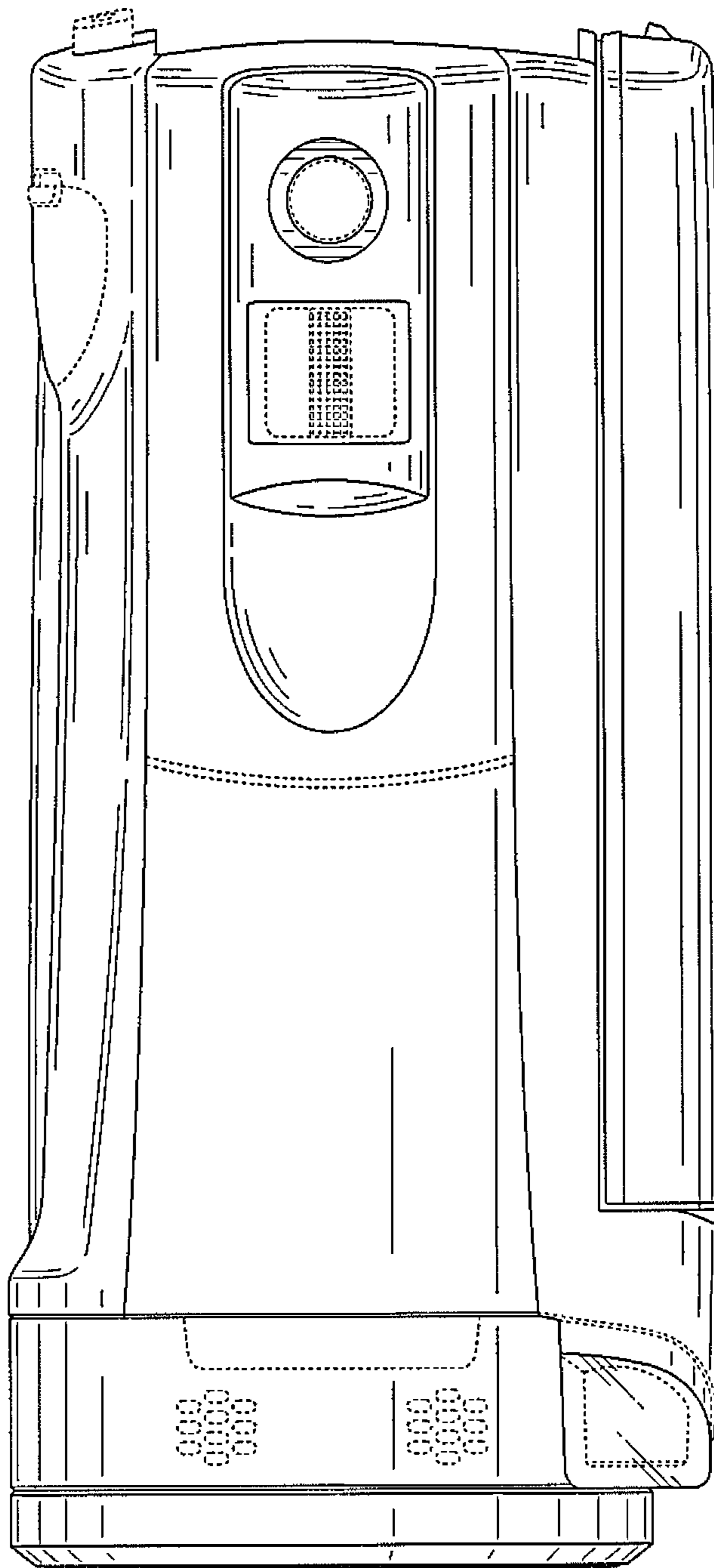


FIG. 6

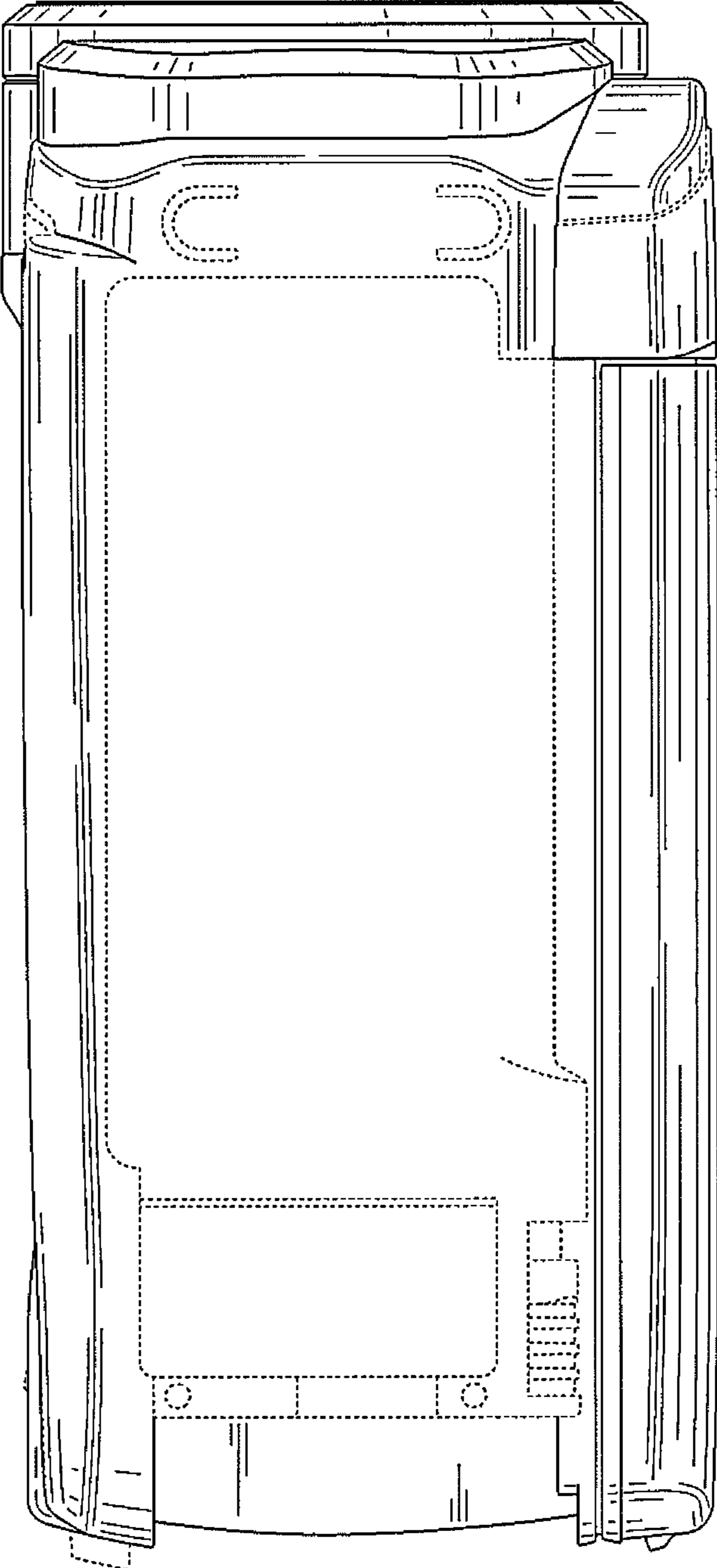


FIG. 7