



US00D698380S

(12) **United States Design Patent**
Fletcher

(10) **Patent No.:** **US D698,380 S**
(45) **Date of Patent:** **** Jan. 28, 2014**

(54) **CAMERA**

(71) Applicant: **SMART Technologies ULC**, Calgary
(CA)

(72) Inventor: **Mark Andrew Fletcher**, Calgary (CA)

(73) Assignee: **SMART Technologies ULC** (CA)

(**) Term: **14 Years**

(21) Appl. No.: **29/437,470**

(22) Filed: **Nov. 16, 2012**

(51) **LOC (10) Cl.** **16-01**

(52) **U.S. Cl.**
USPC **D16/202**

(58) **Field of Classification Search**
USPC D16/200, 202, 203, 204, 208, 218, 242;
348/373, 375; 396/419, 535, 540, 541
See application file for complete search history.

(56) **References Cited**

U.S. PATENT DOCUMENTS

D449,638 S * 10/2001 Boyle et al. D16/242
D506,215 S * 6/2005 Lin et al. D16/218

D631,497 S * 1/2011 Han et al. D16/202
D641,388 S * 7/2011 Shih et al. D16/202
D654,942 S * 2/2012 Khamsepoor et al. D16/202
D662,532 S * 6/2012 Chang D16/202
D665,441 S * 8/2012 McManigal D16/218
D674,430 S * 1/2013 Inoue D16/218

* cited by examiner

Primary Examiner — Adir Aronovich

(74) *Attorney, Agent, or Firm* — Katten Muchin Rosenman
LLP

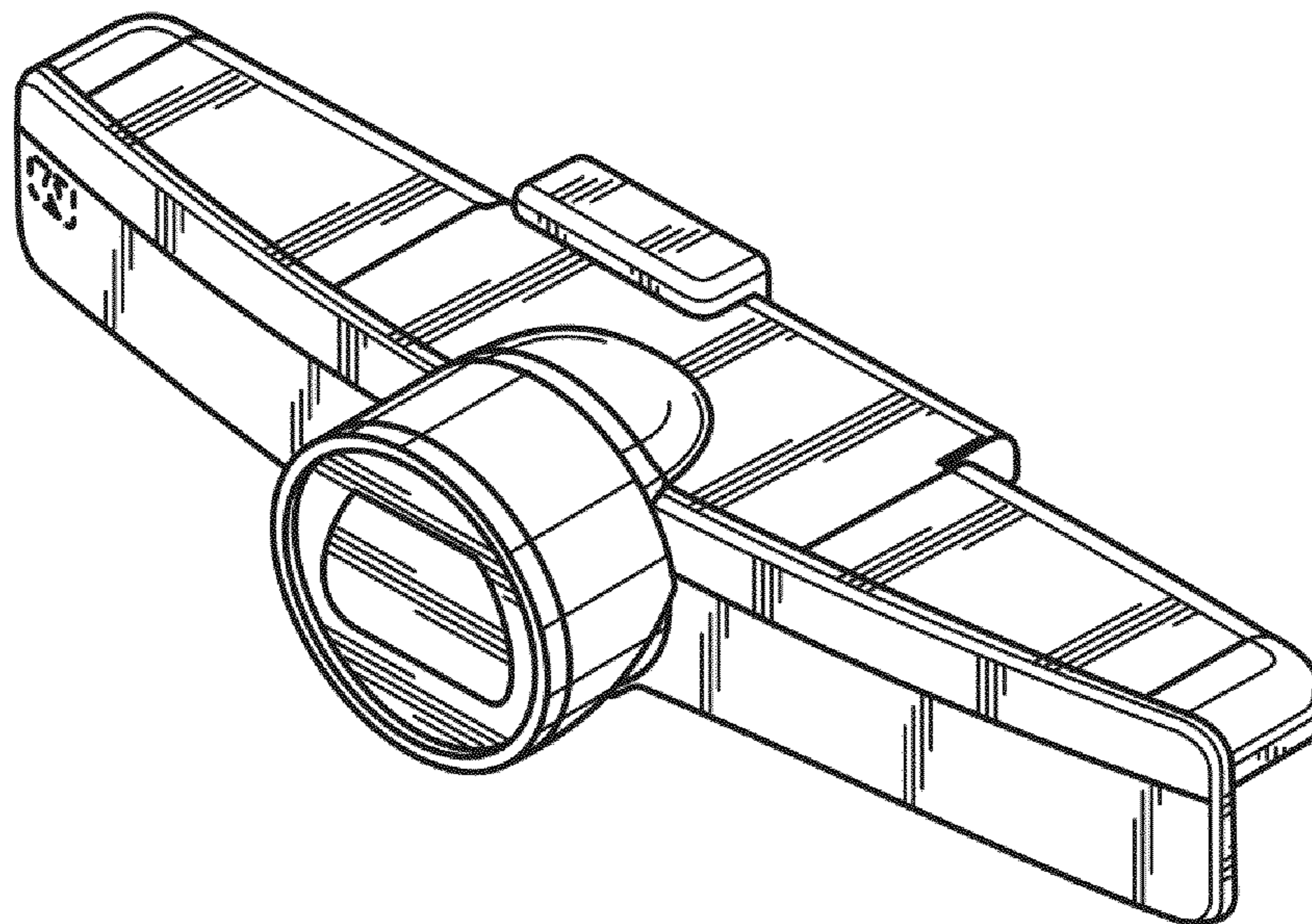
(57) **CLAIM**

The ornamental design for a camera, as shown and described.

DESCRIPTION

FIG. 1 is a front, top and left side perspective view of a camera showing my new design;
FIG. 2 is a top plan view of the camera of FIG. 1;
FIG. 3 is a right side elevational view of the camera of FIG. 1;
FIG. 4 is a front elevational view of the camera of FIG. 1;
FIG. 5 is a bottom plan view of the camera of FIG. 1;
FIG. 6 is a left side elevational view of the camera of FIG. 1;
and,
FIG. 7 is a rear elevational view of the camera of FIG. 1.

1 Claim, 1 Drawing Sheet



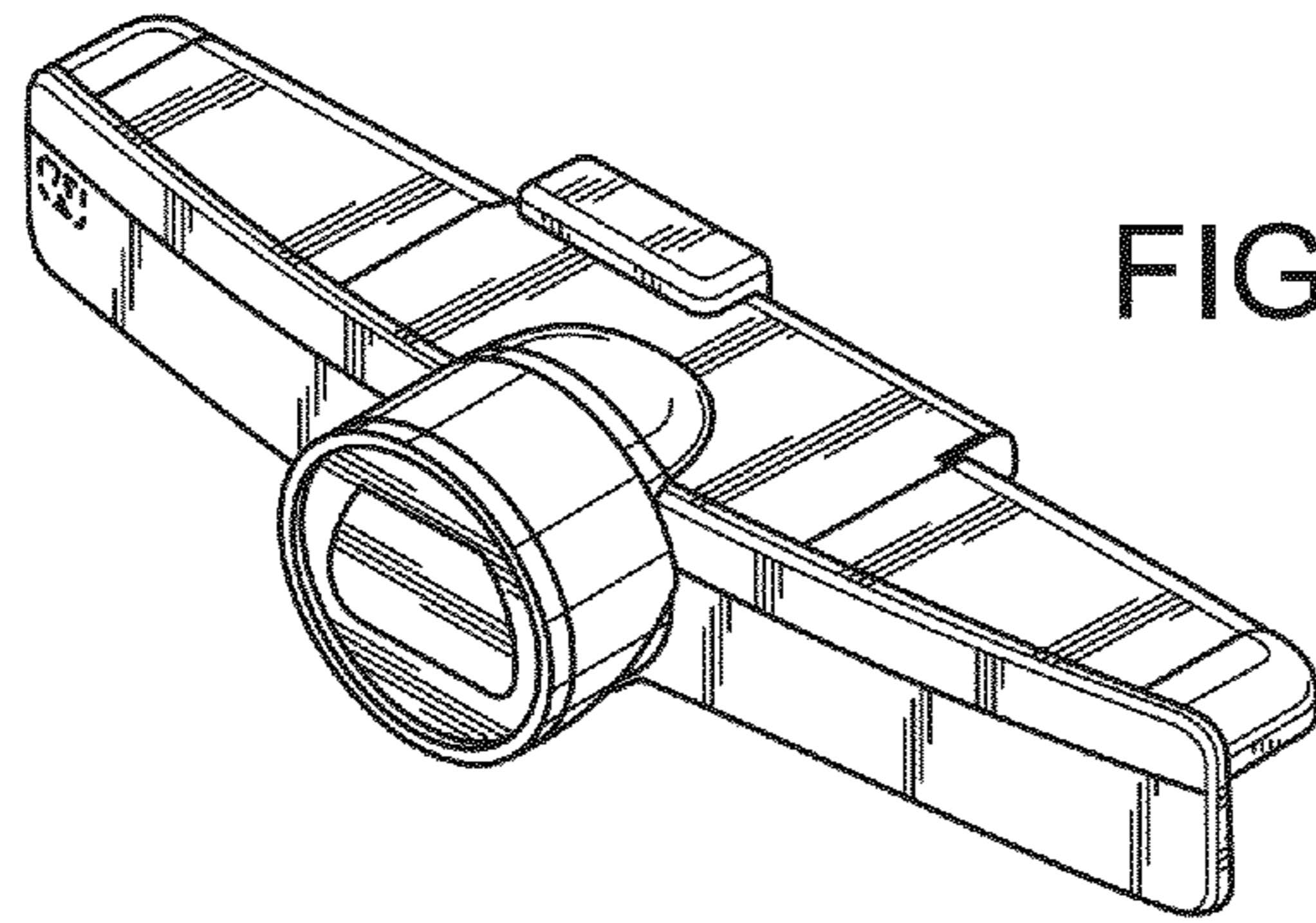


FIG. 1

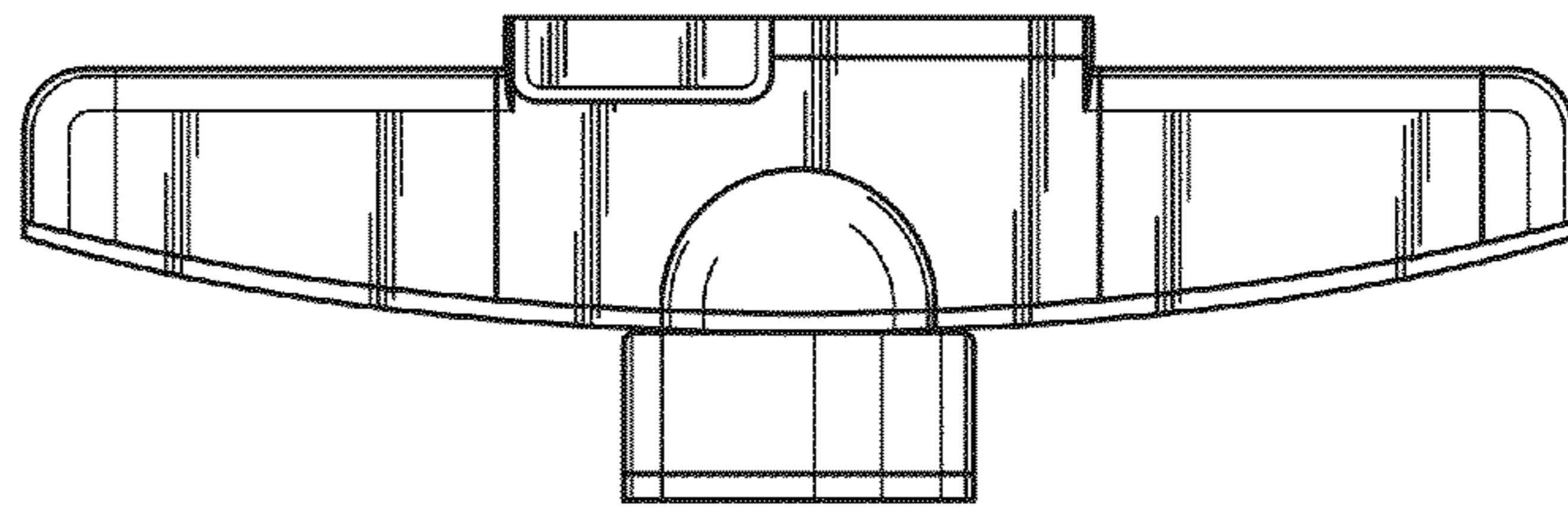


FIG. 2

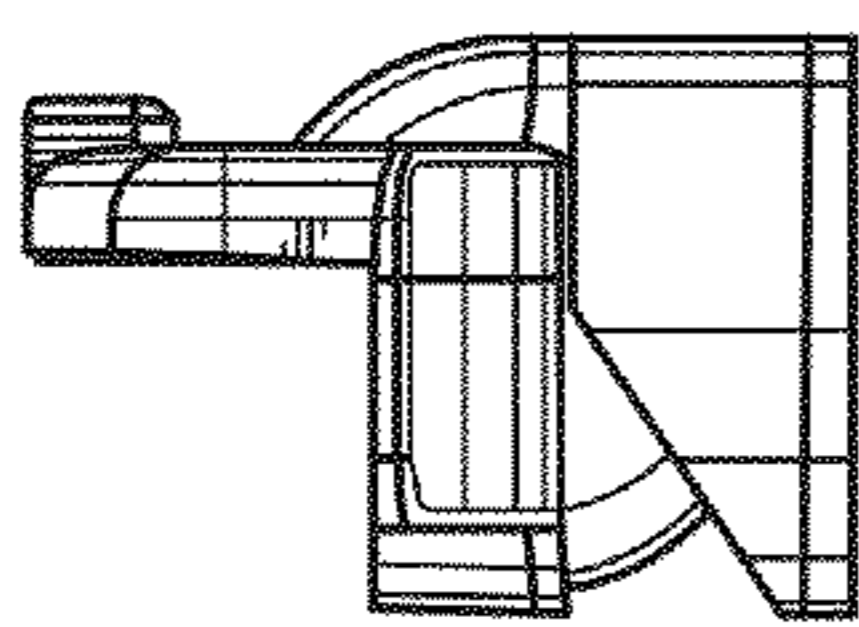


FIG. 3

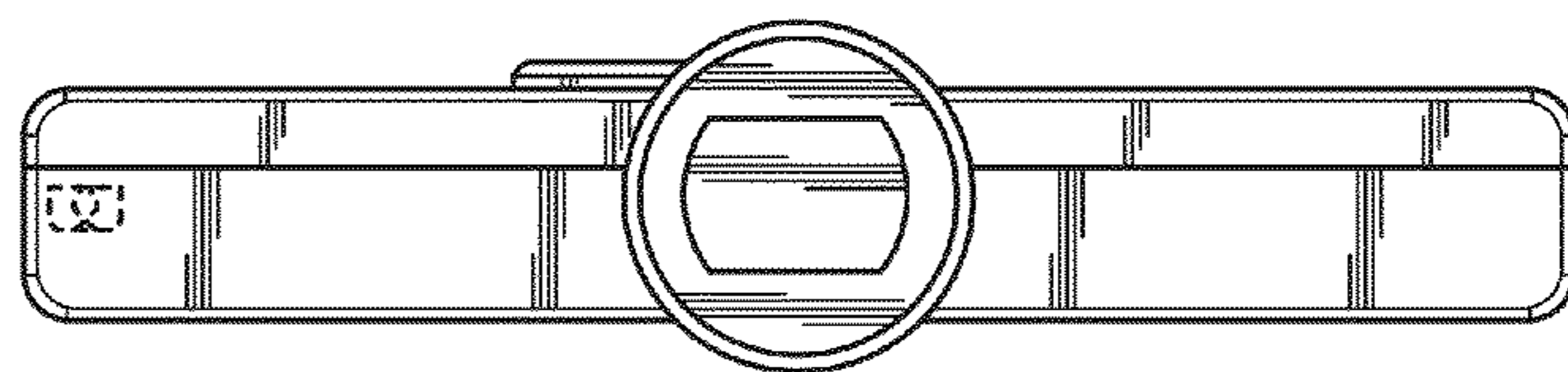


FIG. 4

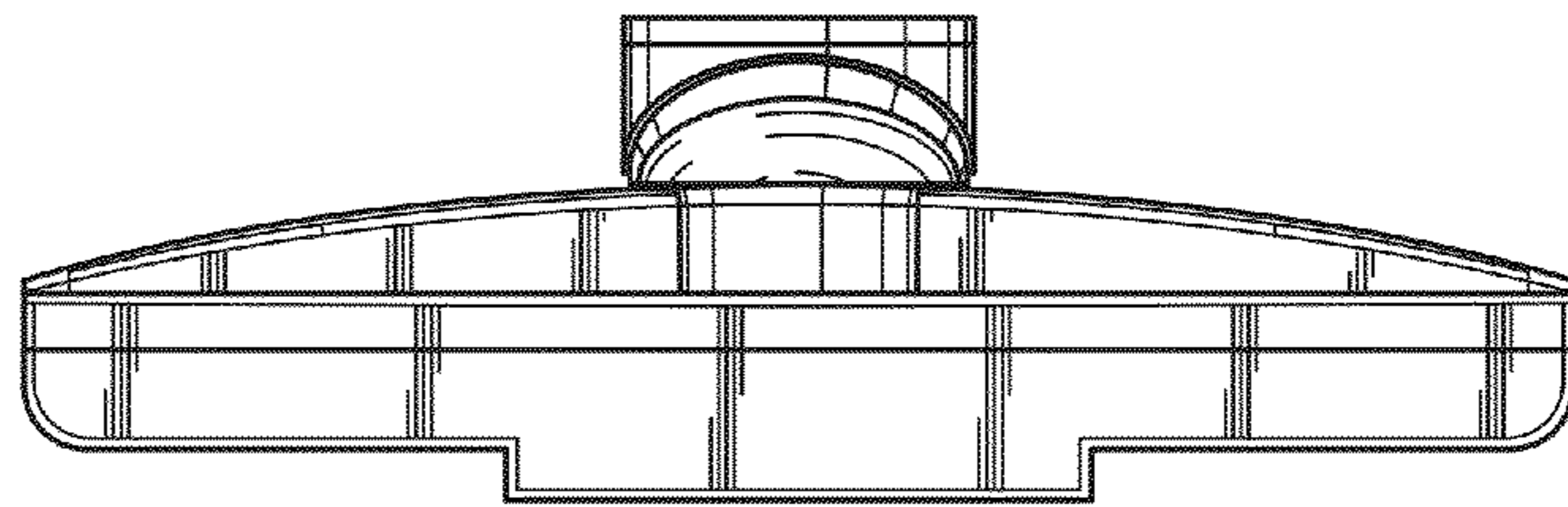


FIG. 5

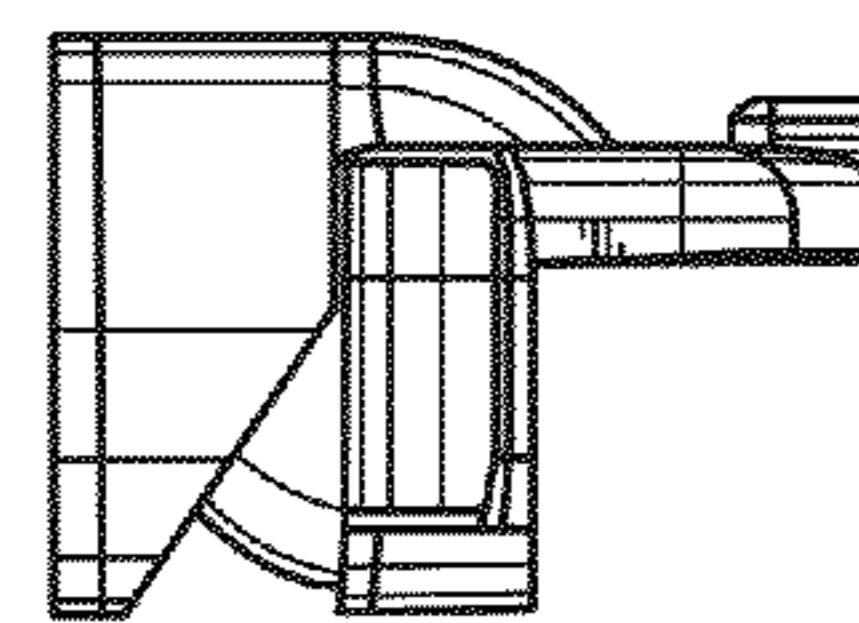


FIG. 6

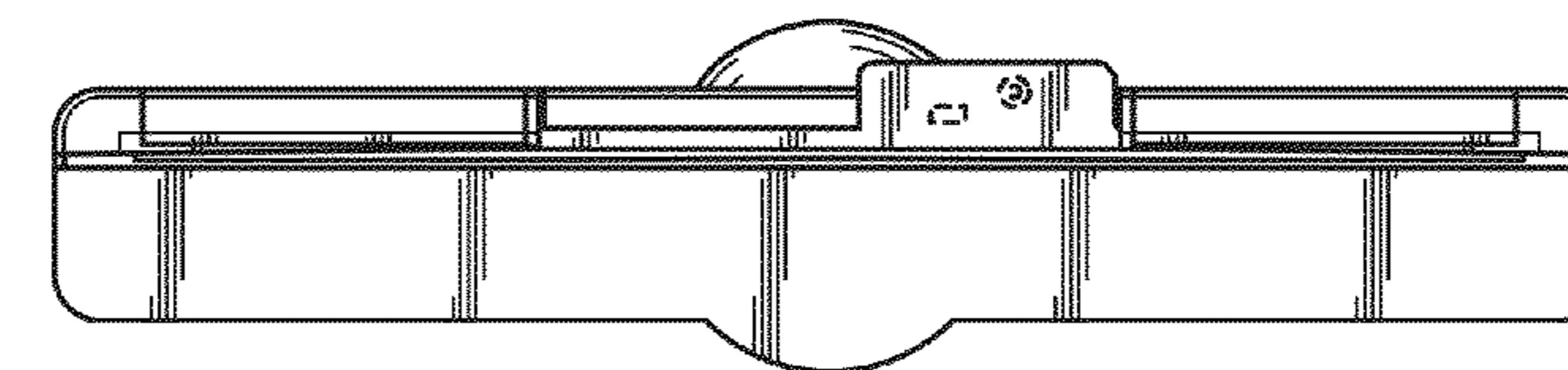


FIG. 7