

US00D698379S

(12) **United States Design Patent**
Lee

(10) **Patent No.:** **US D698,379 S**
(45) **Date of Patent:** **** Jan. 28, 2014**

- (54) **CAMCORDER**
- (71) Applicant: **Samsung Electronics Co., Ltd.,**
Suwon-Si (KR)
- (72) Inventor: **Joo-Hyung Lee, Seoul (KR)**
- (73) Assignee: **Samsung Electronics Co., Ltd.,**
Suwon-Si (KR)
- (**) Term: **14 Years**
- (21) Appl. No.: **29/435,703**
- (22) Filed: **Oct. 26, 2012**
- (30) **Foreign Application Priority Data**

D636,006 S *	4/2011	Champ	D16/202
D639,327 S *	6/2011	Jang	D16/202
D651,632 S	1/2012	Kim et al.		
D651,634 S	1/2012	Lee		
D652,066 S	1/2012	Jang et al.		
D659,732 S *	5/2012	Kim et al.	D16/202

FOREIGN PATENT DOCUMENTS

KR	3002187570000	4/1998
KR	3002187590000	4/1998
KR	3002187640000	4/1998
KR	3002203070000	5/1998
KR	3005553310001	6/2010
KR	3005690140000	8/2010
KR	3005813270000	12/2010
KR	3005914070000	3/2011
KR	3006015960000	6/2011
KR	3006083620000	8/2011

* cited by examiner

Primary Examiner — Adir Aronovich
(74) *Attorney, Agent, or Firm* — Wood, Herron & Evans, LLP

(57) **CLAIM**
The ornamental design for a camcorder, as shown and described.

DESCRIPTION

FIG. 1 is a top front perspective view of a camcorder showing my new design;
FIG. 2 is a front elevational view thereof;
FIG. 3 is a rear elevational view thereof;
FIG. 4 is a left side elevational view thereof;
FIG. 5 is a right side elevational view thereof;
FIG. 6 is a top plan view thereof; and,
FIG. 7 is a bottom plan view thereof.

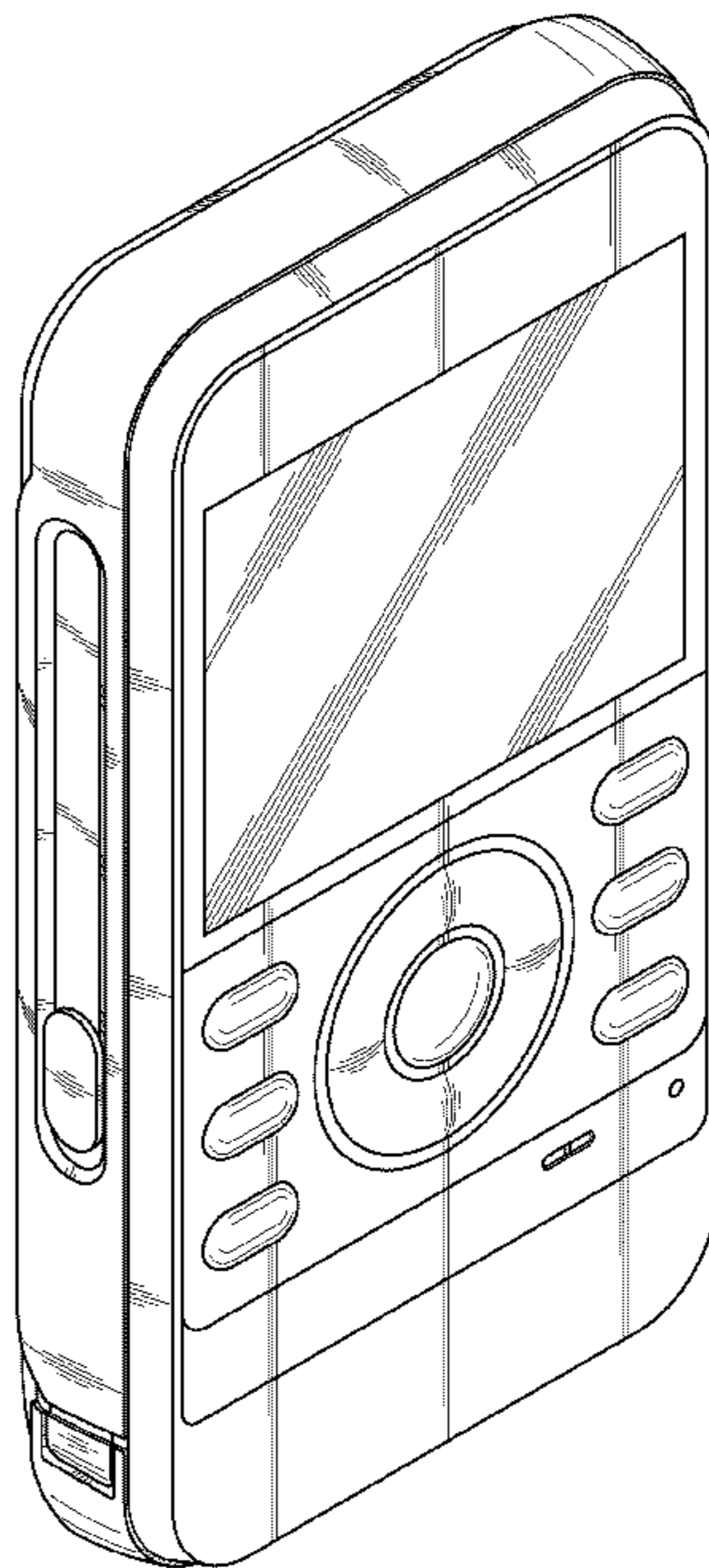
1 Claim, 5 Drawing Sheets

- May 1, 2012 (KR) 30-2012-0021127
- (51) **LOC (10) Cl.** **16-01**
- (52) **U.S. Cl.**
USPC **D16/202**
- (58) **Field of Classification Search**
USPC D16/200–204, 208, 218; 348/373–376;
358/909.1; 396/535–541
See application file for complete search history.

(56) **References Cited**

U.S. PATENT DOCUMENTS

6,683,653 B1 *	1/2004	Miyake et al.	348/373
D527,403 S *	8/2006	Byun et al.	D16/202
D591,321 S *	4/2009	Sheppard et al.	D16/202
7,636,121 B2 *	12/2009	Matsumoto et al.	348/376
D607,479 S *	1/2010	Yu	D16/202
D617,821 S *	6/2010	Kaplan et al.	D16/202
D618,265 S *	6/2010	Wozniak	D16/202
D635,606 S *	4/2011	Han et al.	D16/218



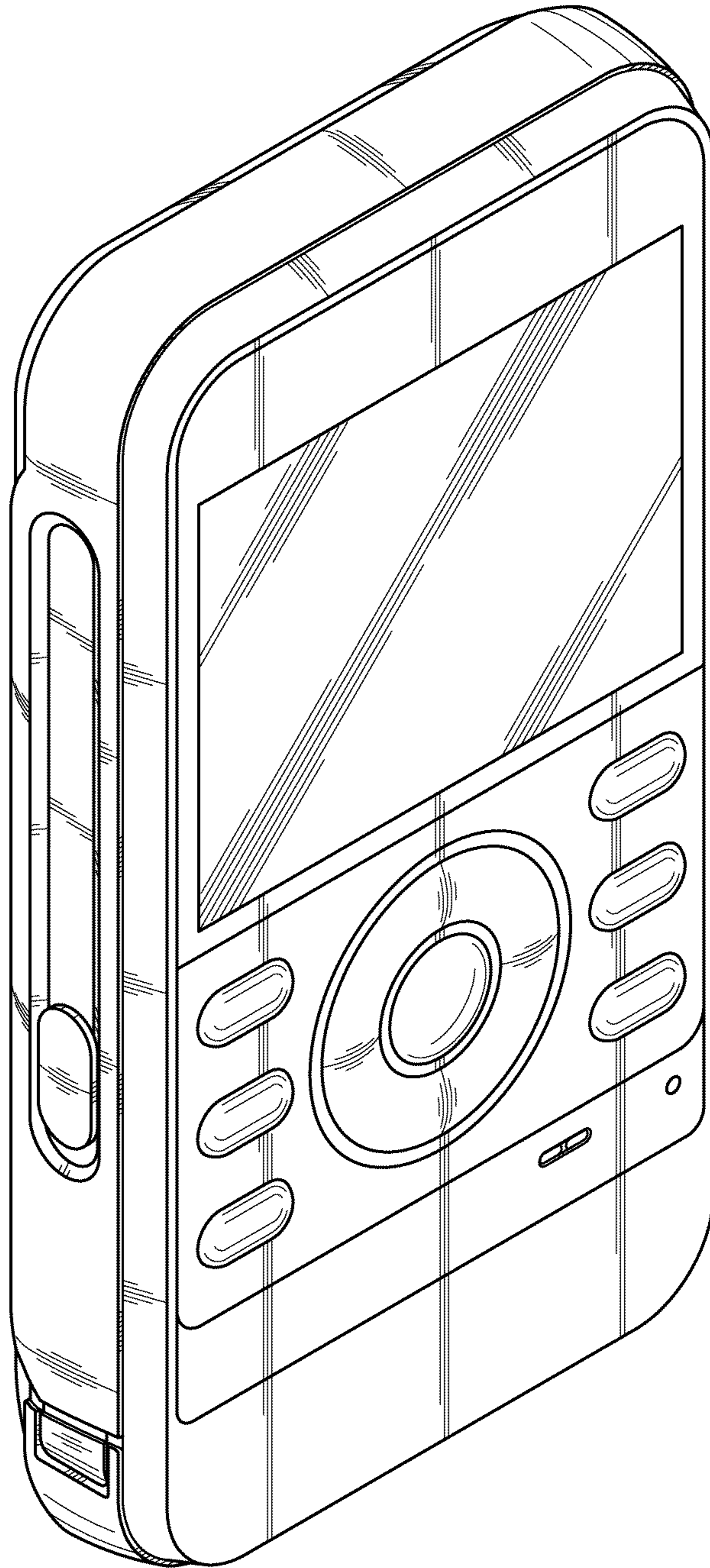


FIG.1

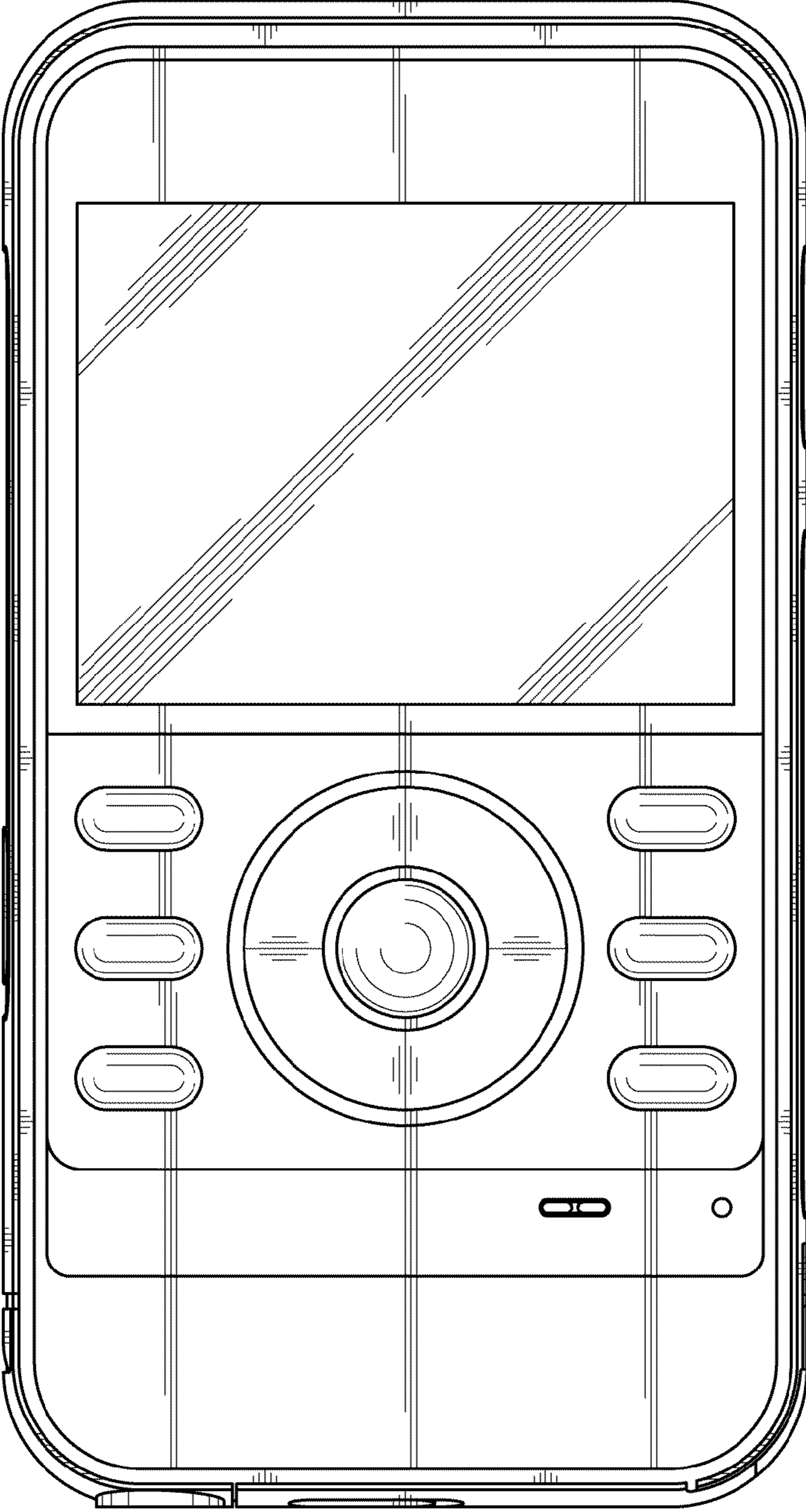


FIG.2

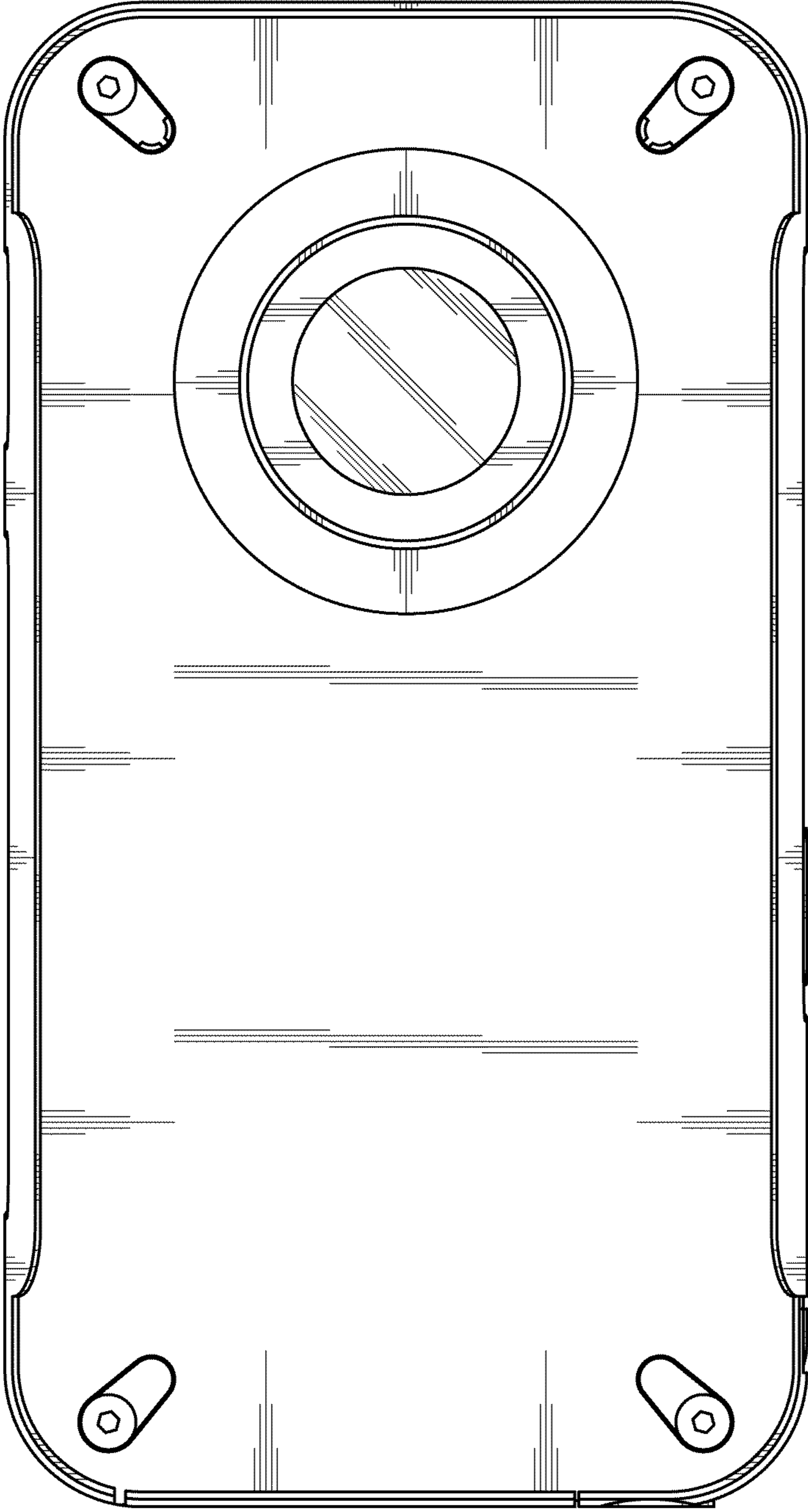


FIG.3

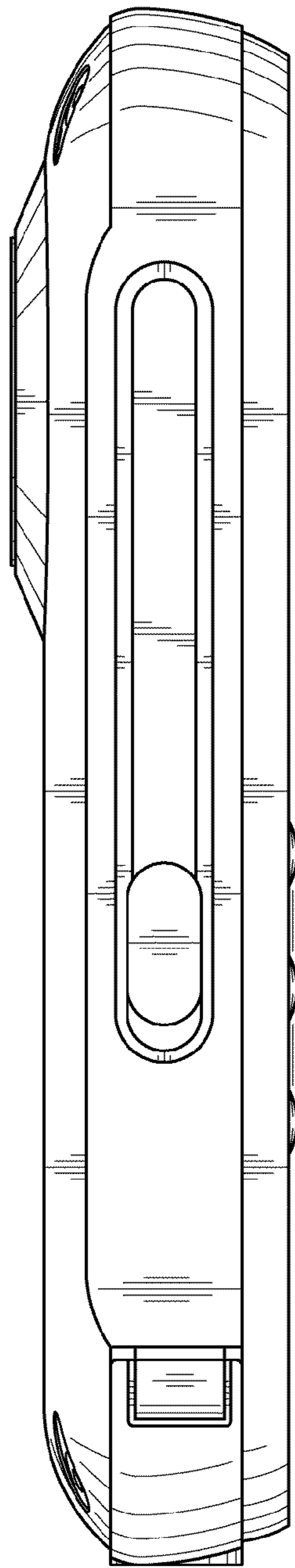


FIG.4

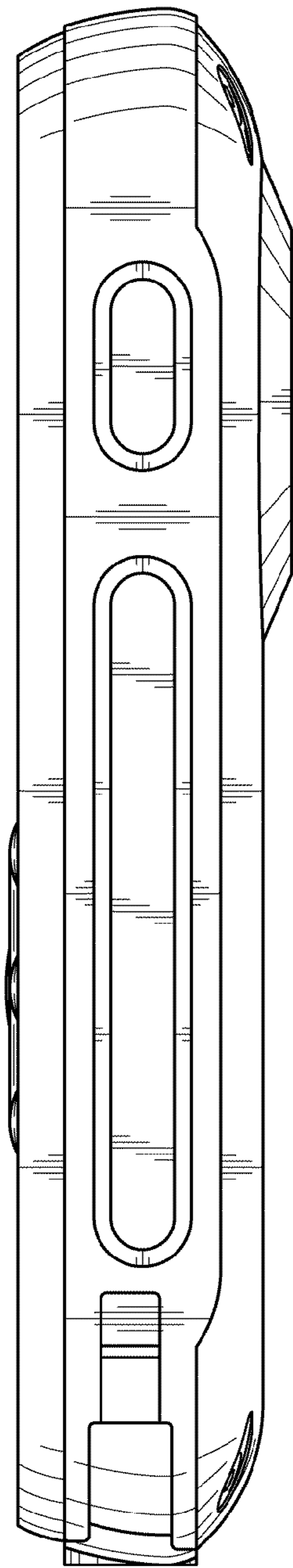


FIG.5

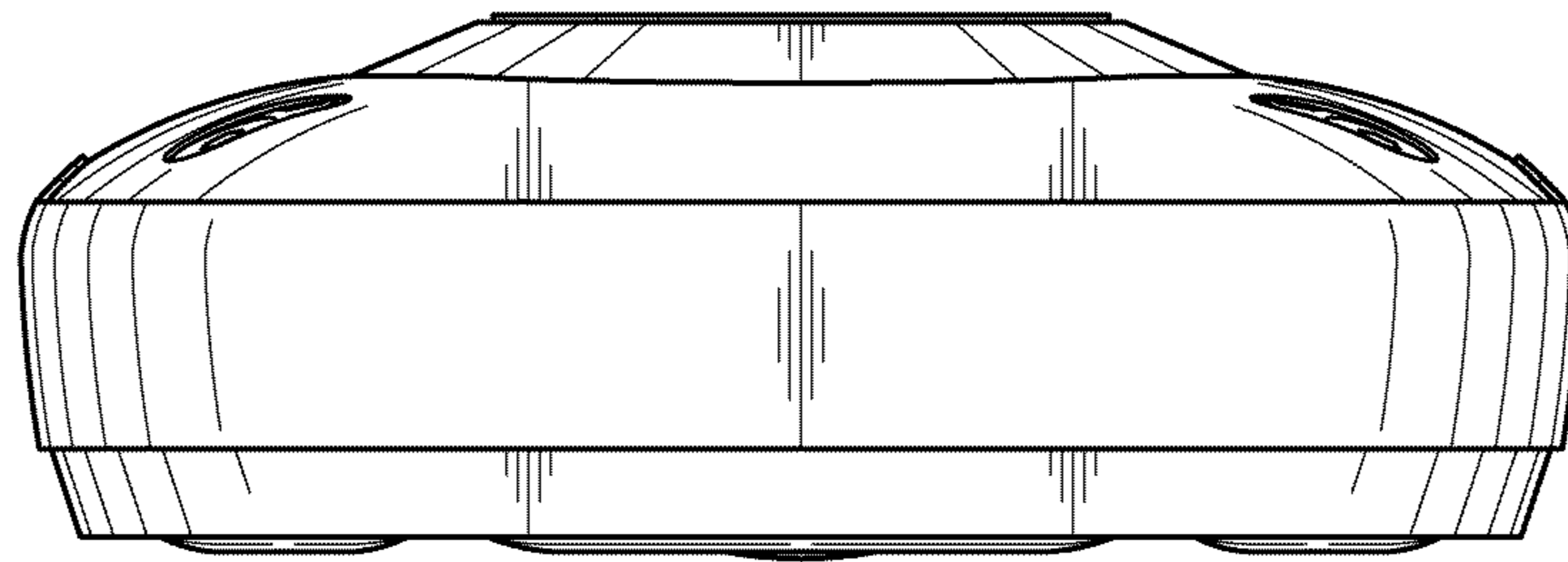


FIG. 6

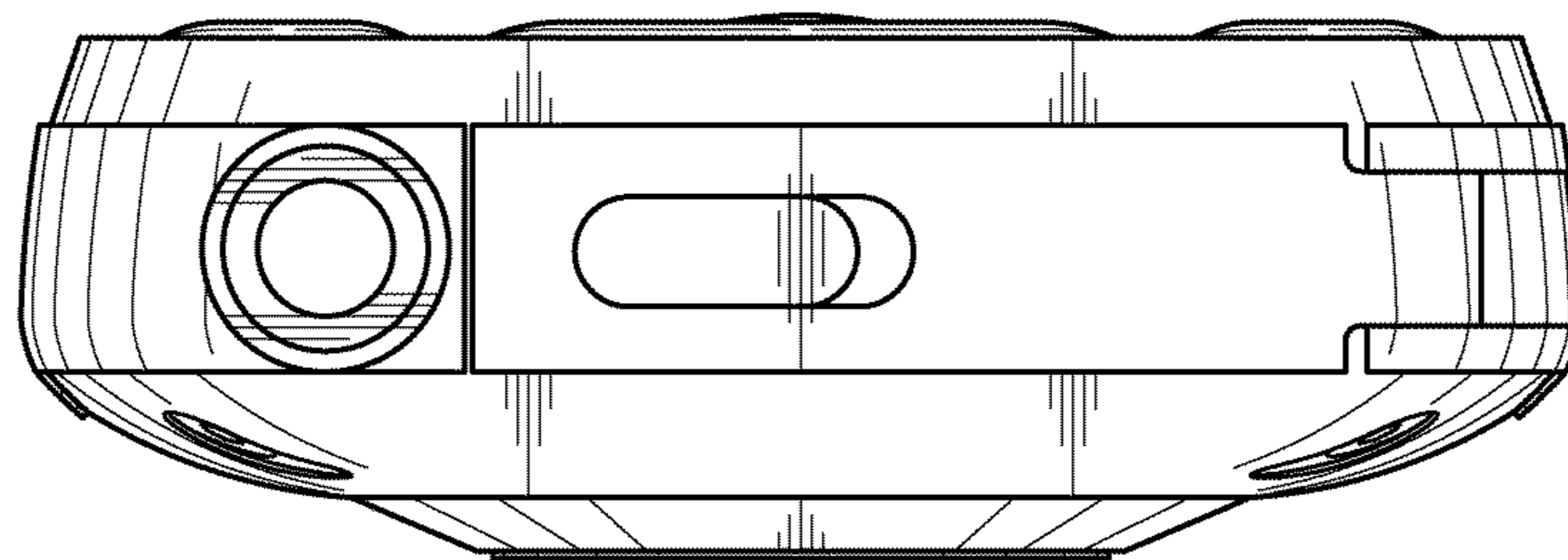


FIG. 7