



US00D698378S

(12) **United States Design Patent**
Leiteritz et al.

(10) **Patent No.:** **US D698,378 S**
(45) **Date of Patent:** **** Jan. 28, 2014**

(54) **PLASMA TORCH**

(71) Applicant: **Illinois Tool Works Inc.**, Glenview, IL
(US)

(72) Inventors: **Nathan Gerald Leiteritz**, Little Chute,
WI (US); **Stefan Giessler**, Wettenberg
(DE); **David Paul Marcusen**,
Hortonville, WI (US)

(73) Assignee: **Illinois Tool Works Inc.**, Glenview, IL
(US)

(**) Term: **14 Years**

(21) Appl. No.: **29/453,074**

(22) Filed: **Apr. 24, 2013**

Related U.S. Application Data

(63) Continuation of application No. 29/399,908, filed on
Aug. 19, 2011, now Pat. No. Des. 683,774.

(51) **LOC (10) Cl.** **15-09**

(52) **U.S. Cl.**
USPC **D15/144.2**

(58) **Field of Classification Search**
USPC D8/14, 29.1, 30, 107; D15/144-144.2;
219/74, 75, 76.16, 121.47, 121.48,
219/121.5, 121.51, 121.52, 121.53, 137.31,
219/137.42, 137.61, 137.62, 137.7;
239/414; 266/48

See application file for complete search history.

(56) **References Cited**

U.S. PATENT DOCUMENTS

D343,629	S	*	1/1994	Bode	D15/144
D347,643	S	*	6/1994	Burgin et al.	D15/142
D350,884	S	*	9/1994	Sperling et al.	D8/30
5,728,991	A	*	3/1998	Takada et al.	219/121.46
D486,368	S	*	2/2004	Jones et al.	D8/30
D532,432	S	*	11/2006	Owens	D15/144
D555,446	S	*	11/2007	Picaza Ibarrodo	D8/30
2010/0012566	A1	*	1/2010	Nagaoka et al.	210/198.2

* cited by examiner

Primary Examiner — Patricia Palasik

(74) *Attorney, Agent, or Firm* — Fletcher Yoder P.C.

(57) **CLAIM**

The ornamental design for a plasma torch, as shown and described.

DESCRIPTION

FIG. 1 is right rear perspective view of the design for the plasma torch;

FIG. 2 is a front left perspective view of the design for the plasma torch of FIG. 1;

FIG. 3 is a right view of the design for the plasma torch of FIG. 1;

FIG. 4 is a rear view of the design for the plasma torch of FIG. 1;

FIG. 5 is a front view of the design for the plasma torch of FIG. 1;

FIG. 6 is a top view of the design for the plasma torch of FIG. 1; and,

FIG. 7 is a bottom view of the design for the plasma torch of FIG. 1.

In these drawings, the solid lines illustrate the claimed ornamental design, whereas the broken lines illustrate environmental features that form no part of the claimed ornamental design.

1 Claim, 5 Drawing Sheets

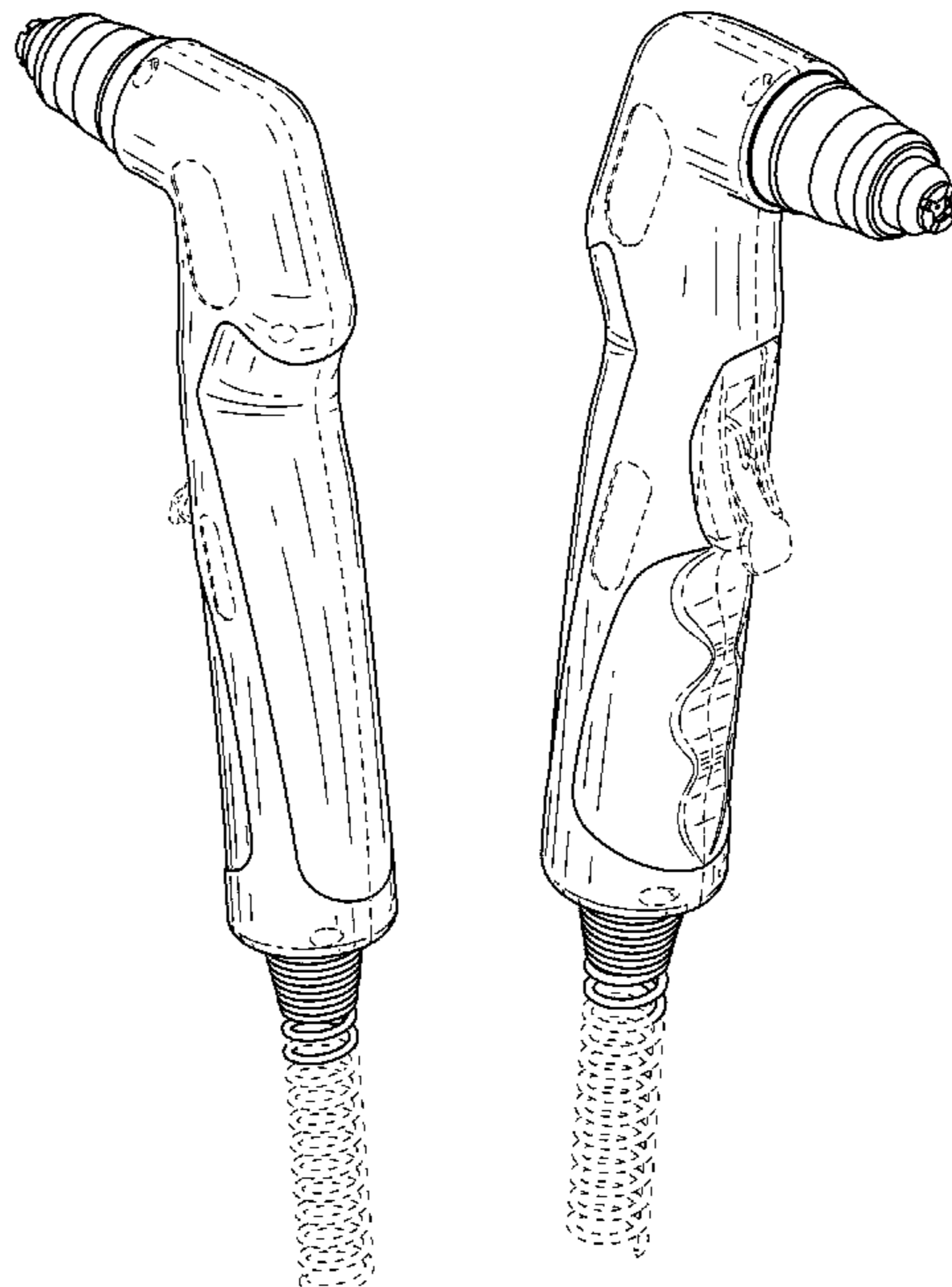


FIG. 1



FIG. 2

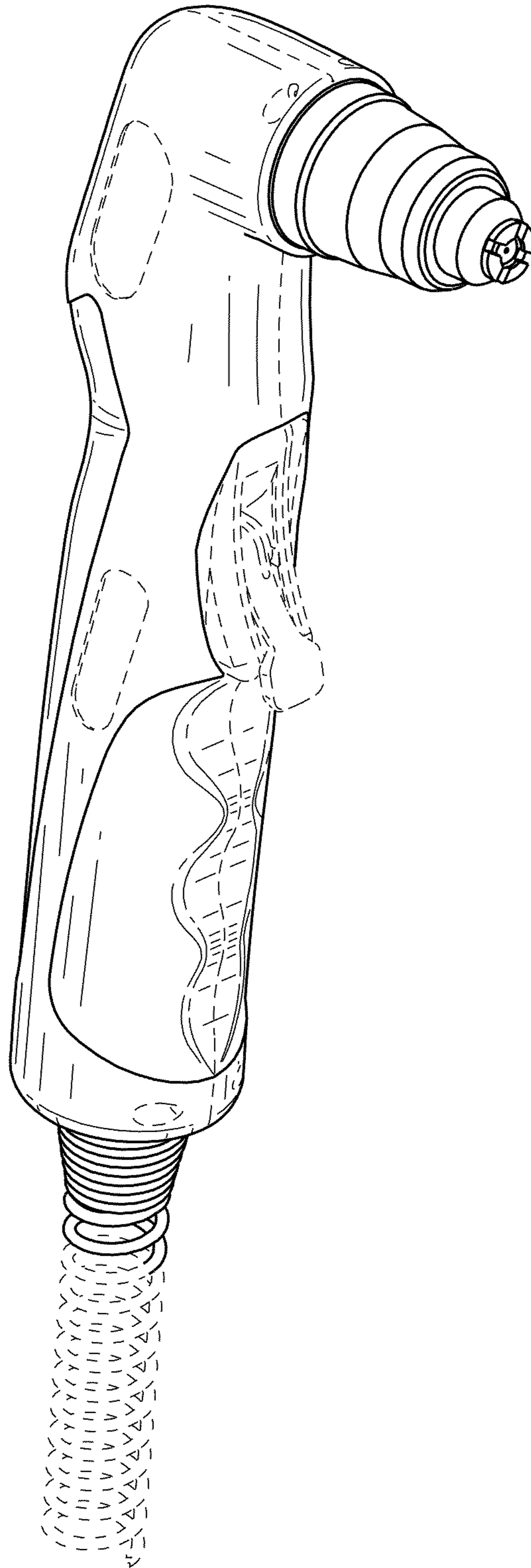


FIG. 3

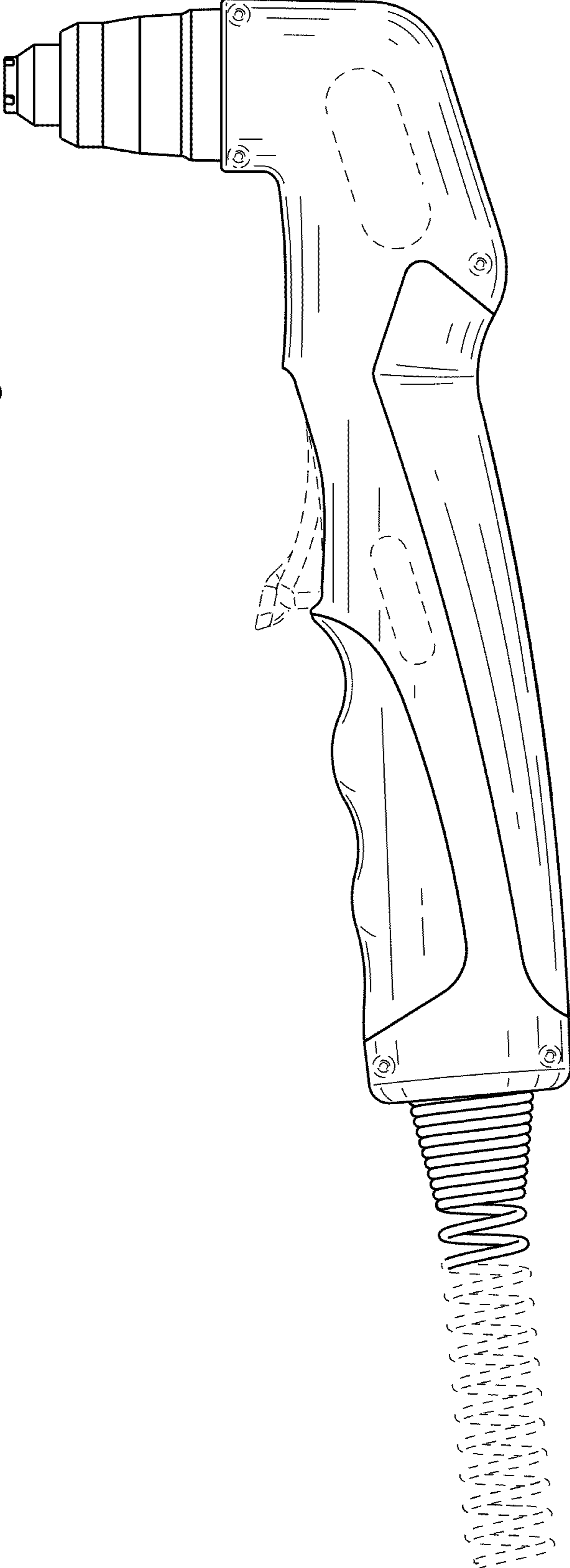


FIG. 4

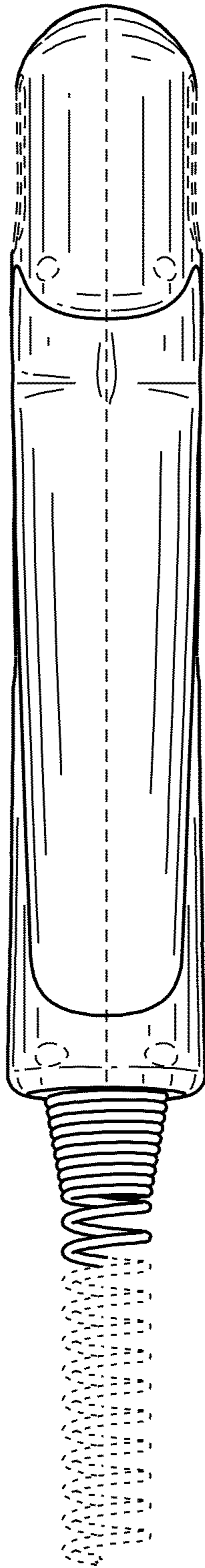
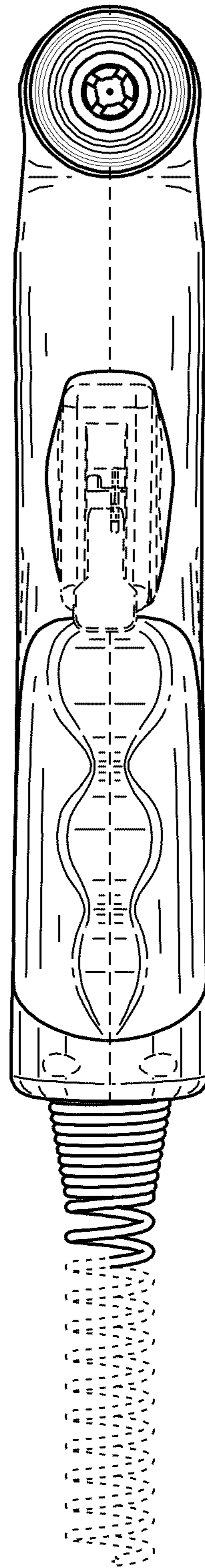


FIG. 5



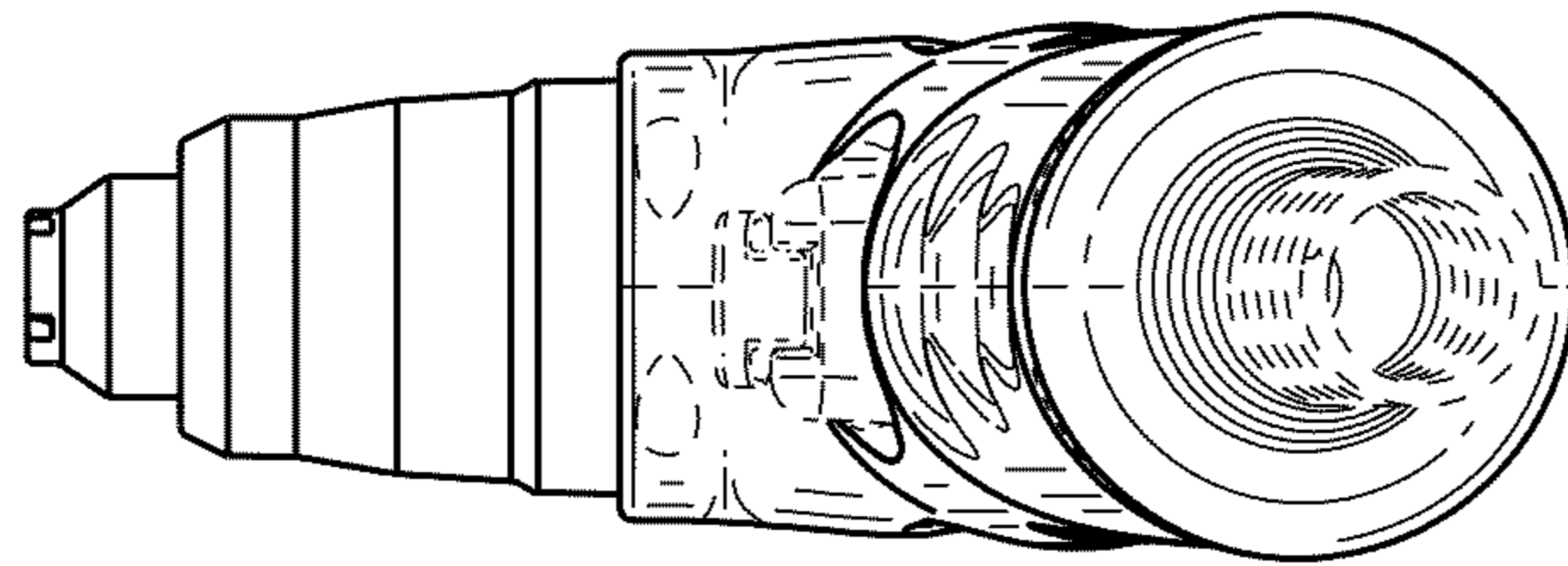


FIG. 6

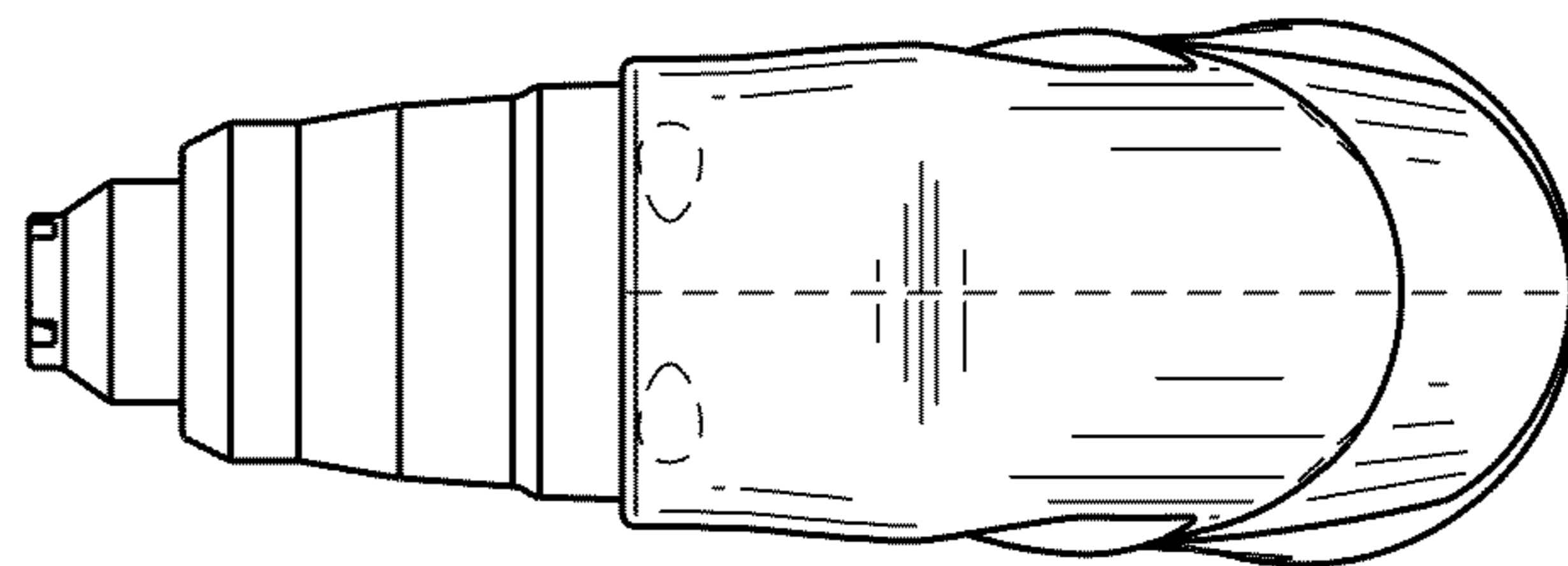


FIG. 7