



US00D698377S

(12) **United States Design Patent**
McGaughy

(10) **Patent No.:** **US D698,377 S**

(45) **Date of Patent:** **** Jan. 28, 2014**

(54) **ELEVATED ROUTER BASE PLATE**

(71) Applicant: **John McGaughy**, Katy, TX (US)

(72) Inventor: **John McGaughy**, Katy, TX (US)

(**) Term: **14 Years**

(21) Appl. No.: **29/442,915**

(22) Filed: **Jun. 12, 2013**

(51) **LOC (10) Cl.** **15-09**

(52) **U.S. Cl.**
USPC **D15/141**

(58) **Field of Classification Search**

USPC D8/61, 67, 70, 71-74, 107; D15/140,
D15/141; 33/32.2, 201; 83/100; 144/48.6,
144/83, 134.1, 135.2, 135.4, 136.5, 136.95,
144/144.1, 144.51, 144.52, 154.5, 286.5,
144/252.1, 286.1, 372; 269/32, 43, 134,
269/136, 136.95, 154, 215, 244, 256-270,
269/271, 283, 284, 286, 329, 906;
379/92.04; 408/67, 68, 113; 409/131,
409/132, 134, 137, 175, 180, 182, 184, 210,
409/214, 218, 453, 456

See application file for complete search history.

(56) **References Cited**

U.S. PATENT DOCUMENTS

2,613,704 A 10/1952 Sacrey
4,445,811 A 5/1984 Sanders
D278,440 S * 4/1985 Ferdinand et al. D15/141
4,566,830 A 1/1986 Maier et al.

D315,162 S * 3/1991 Geib D15/140
D326,103 S * 5/1992 Hempy et al. D15/141
D336,095 S * 6/1993 Carlson D15/140
D336,482 S * 6/1993 Graham D15/141
5,452,751 A * 9/1995 Engler et al. 144/253.6
5,715,880 A * 2/1998 Tucker et al. 144/286.1
D416,918 S * 11/1999 Jacobson et al. D15/140
6,113,323 A 9/2000 Bosten et al.
D481,402 S * 10/2003 Jenkins et al. D15/140
6,971,643 B1 * 12/2005 Garrison 269/282
7,052,218 B2 * 5/2006 Mussel 409/182
7,896,040 B2 * 3/2011 Gill 144/144.1
D658,486 S * 5/2012 Hecht et al. D8/354
8,210,510 B2 * 7/2012 Li et al. 269/246
D685,827 S * 7/2013 Sun D15/140
2005/0115639 A1 * 6/2005 Bagnall 144/218
2006/0086425 A1 * 4/2006 Hyde 144/286.5

* cited by examiner

Primary Examiner — Patricia Palasik

(74) *Attorney, Agent, or Firm* — Suzanne Kikel

(57) **CLAIM**

The ornamental design for an elevated router base plate, as shown and described.

DESCRIPTION

FIG. 1 is a perspective view of an elevated router base plate, showing my new design.

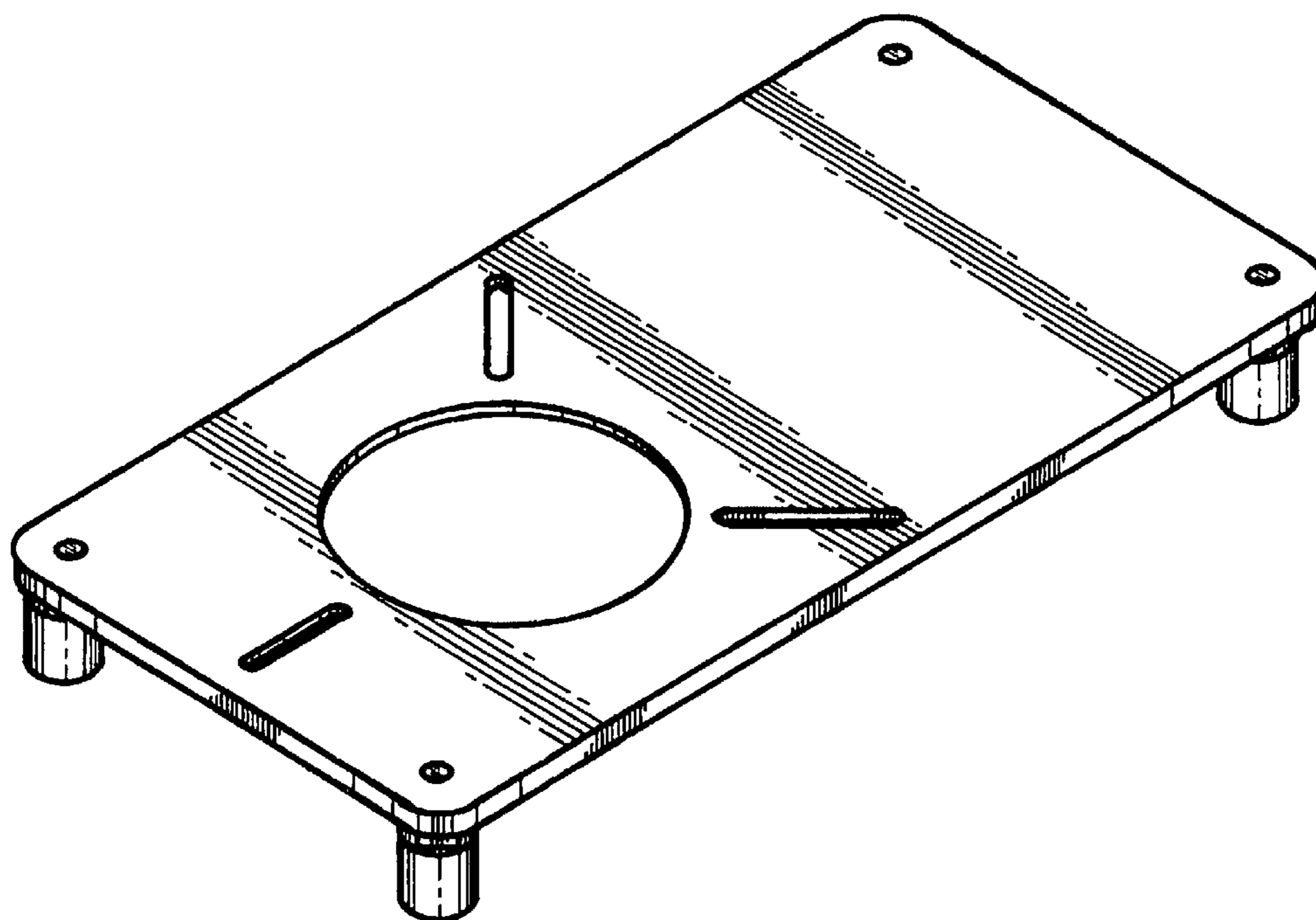
FIG. 2 is a top plan view of the design of FIG. 1.

FIG. 3 is a bottom plan view thereof.

FIG. 4 is a typical end view thereof; and,

FIG. 5 is a typical side view thereof.

1 Claim, 3 Drawing Sheets



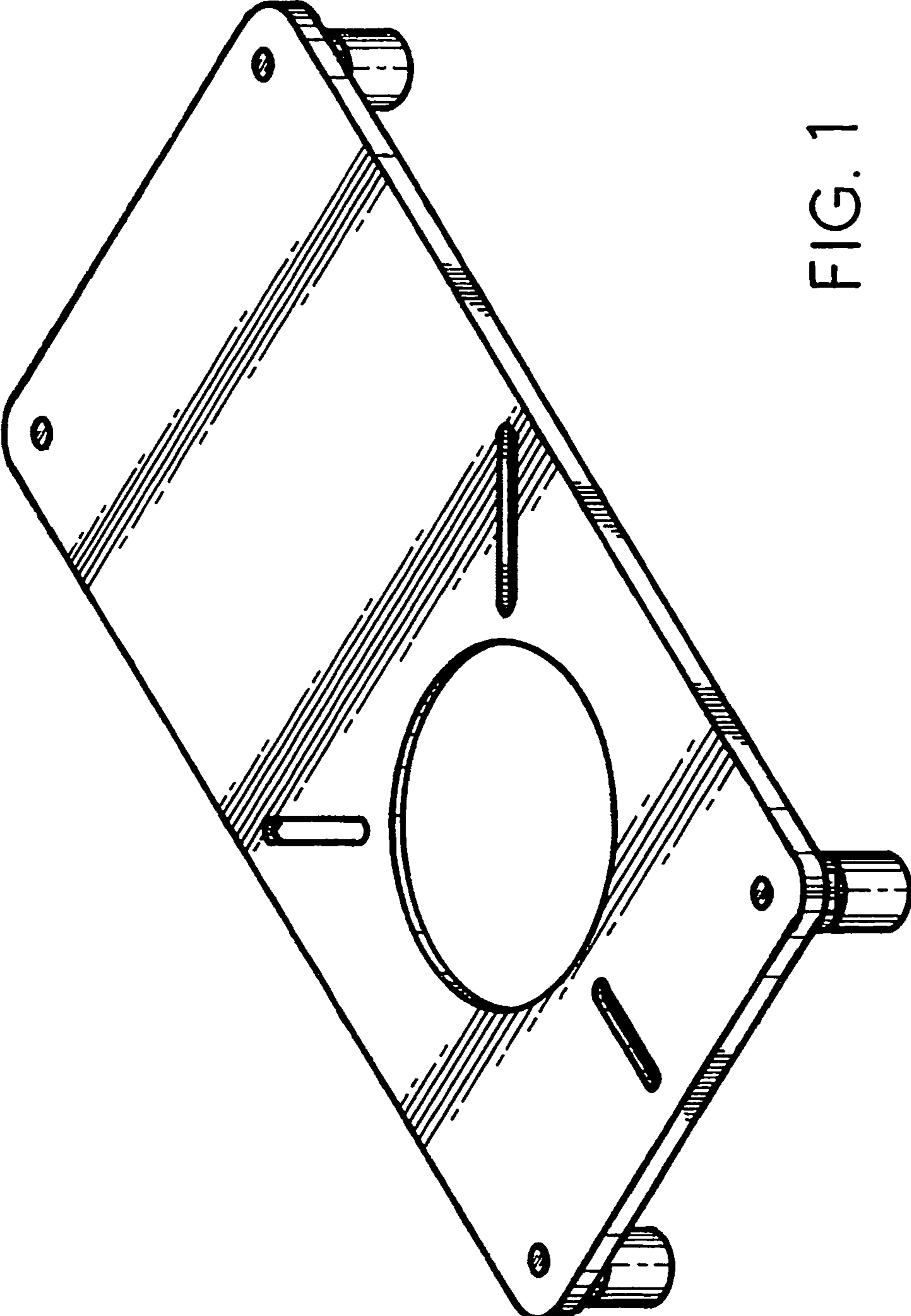


FIG. 1

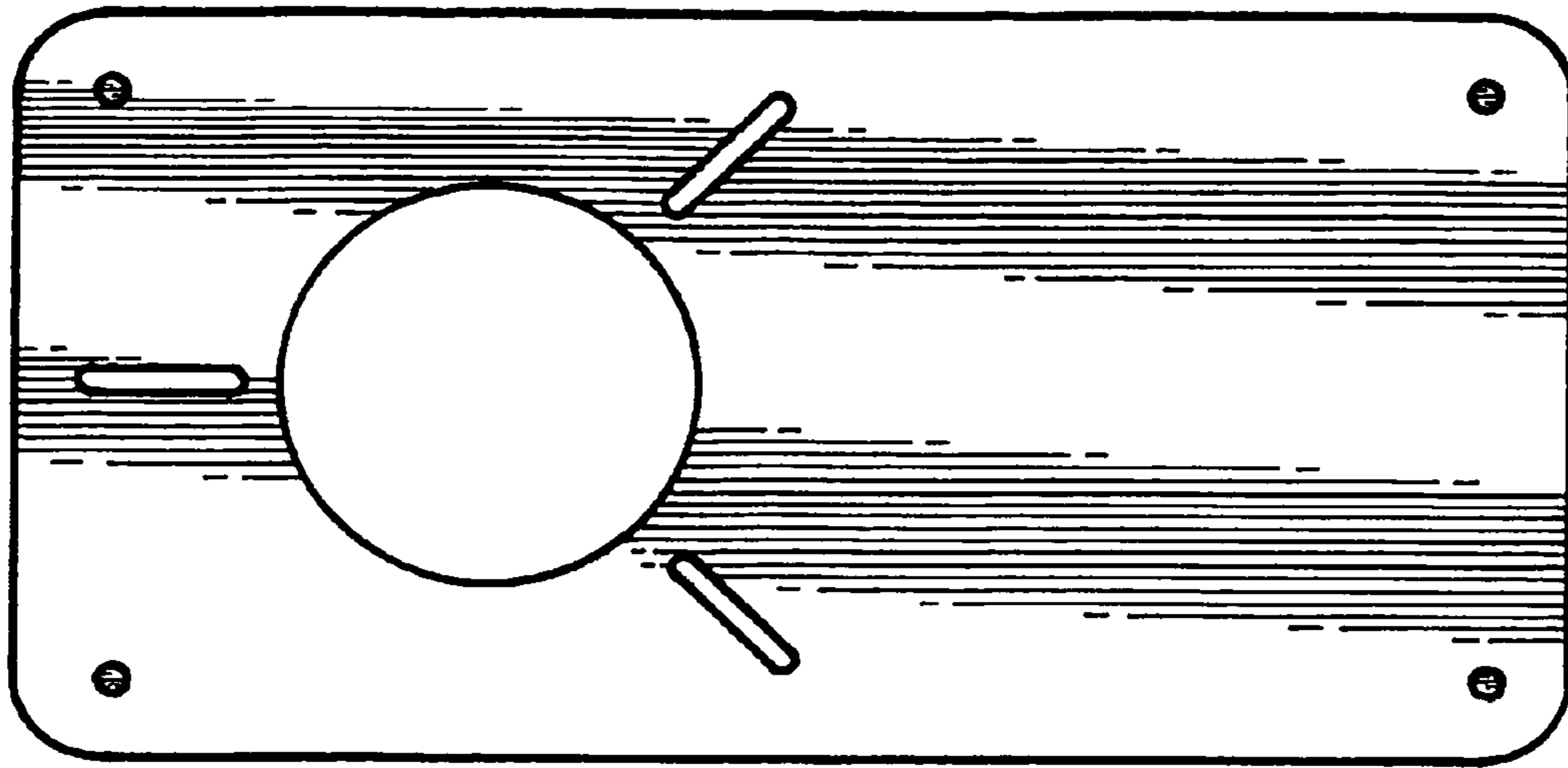


FIG. 2

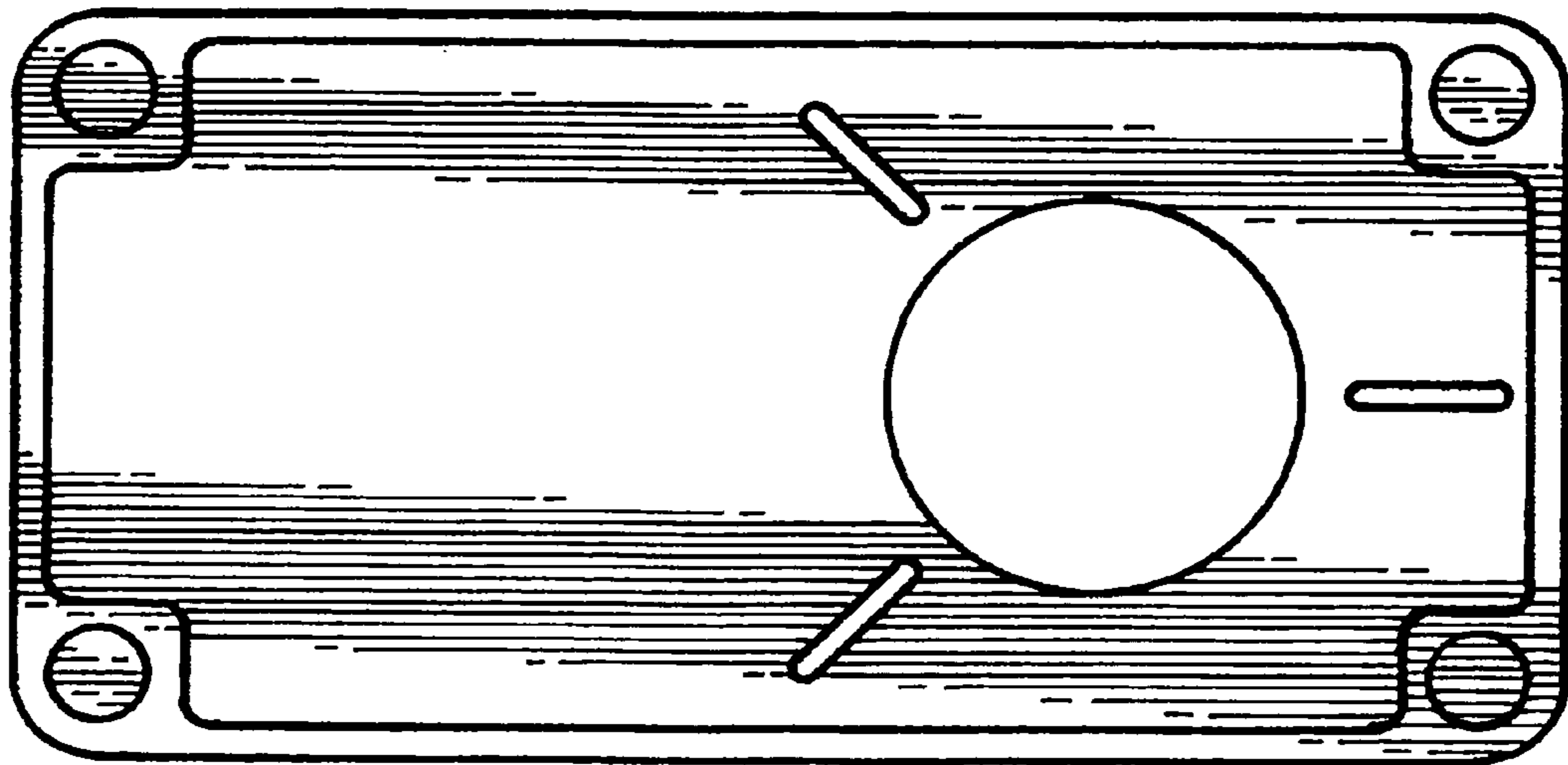


FIG. 3

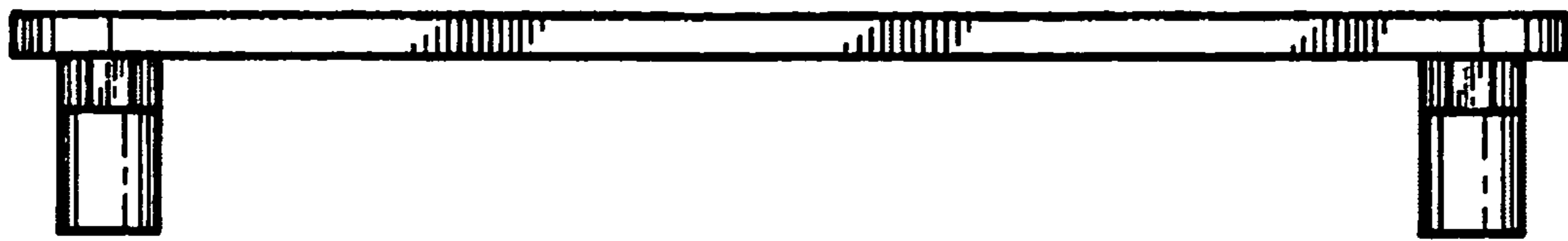


FIG. 4

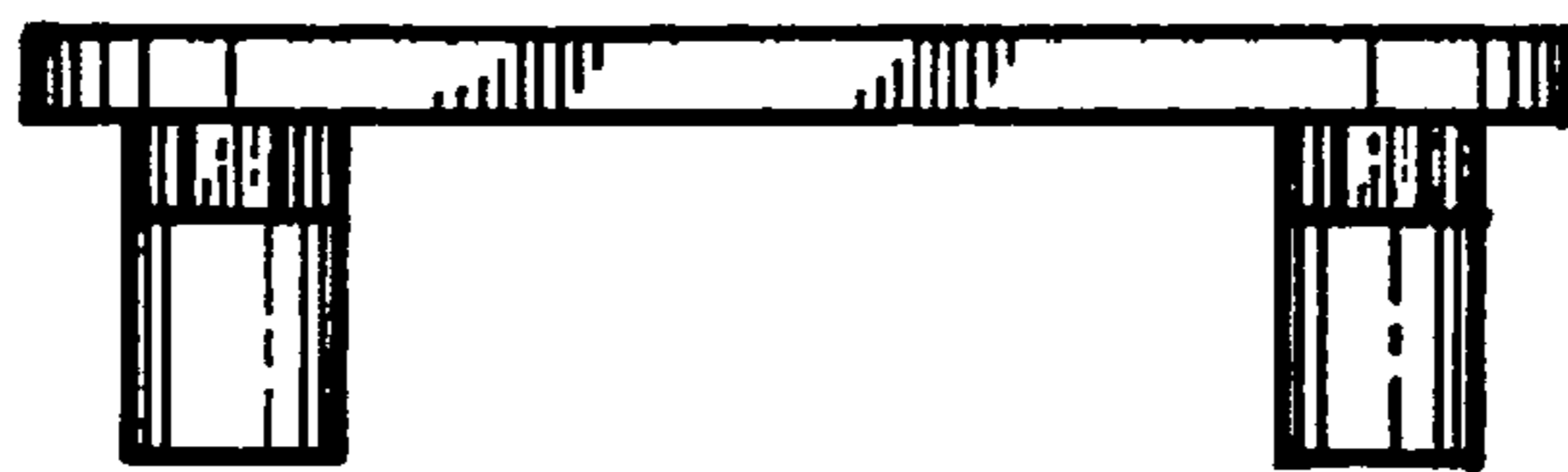


FIG. 5