



US00D698375S

(12) **United States Design Patent**
Gosamo

(10) **Patent No.:** **US D698,375 S**
(45) **Date of Patent:** **** Jan. 28, 2014**

(54) **ABRASIVE ARTICLE HAVING SHAPED SEGMENTS**

(71) Applicant: **Ignazio Gosamo**, Léglise-Thibessart (BE)

(72) Inventor: **Ignazio Gosamo**, Léglise-Thibessart (BE)

(73) Assignees: **Saint-Gobain Abrasives, Inc.**, Worcester, MA (US); **Saint-Gobain Abrasifs**, Conflans-Sainte-Honorine (FR)

(**) Term: **14 Years**

(21) Appl. No.: **29/441,125**

(22) Filed: **Dec. 31, 2012**

(51) **LOC (10) Cl.** **15-09**

(52) **U.S. Cl.**
USPC **D15/126**

(58) **Field of Classification Search**
USPC D8/70, 71, 90, 98; D15/124, 126, 138, D15/139; 83/676, 548-551
See application file for complete search history.

(56) **References Cited**

U.S. PATENT DOCUMENTS

1,470,957 A	10/1923	Cavicchi	
2,307,312 A	1/1943	Whiting	
2,307,632 A	1/1943	Meyer	
2,883,807 A	4/1959	Titcomb	
3,754,355 A	8/1973	Hanchett	
4,212,137 A	7/1980	Rue	
5,454,752 A	10/1995	Sexton et al.	
5,911,620 A	6/1999	Spangenberg et al.	
D437,540 S	2/2001	Suzuki	
D442,196 S *	5/2001	Hansson et al.	D15/139
D447,757 S *	9/2001	Rautio	D15/139
6,283,845 B1	9/2001	Fischbacher et al.	
6,299,522 B1	10/2001	Lee	

D463,965 S	10/2002	Lee et al.	
6,527,634 B2	3/2003	Lee et al.	
D474,954 S	5/2003	Kim et al.	
D481,045 S *	10/2003	Ahn	D15/139
6,814,657 B2	11/2004	Spangenberg et al.	
D502,712 S *	3/2005	Eriksson	D15/139
D509,519 S *	9/2005	Sollami	D15/139
D537,854 S *	3/2007	Tong	D15/139
D548,758 S *	8/2007	Park	D15/126
D566,141 S *	4/2008	Park	D15/126
D582,446 S *	12/2008	Park	D15/126
D595,750 S *	7/2009	Eriksson et al.	D15/139

(Continued)

FOREIGN PATENT DOCUMENTS

EP	1319471 A1	6/2003
EP	1074347 B1	11/2005

OTHER PUBLICATIONS

lulusoso.com, "4" Diamond grinding cup wheel for granite," <http://sell.lulusoso.com/selling-leads/299041/4-quot-Diamond-grinding-cup-wheel-for-granite.html>, Oct. 11, 2011, 4 pages.

(Continued)

Primary Examiner — Patricia Palasik

(74) *Attorney, Agent, or Firm* — Joseph P. Sullivan; Abel Law Group, LLP

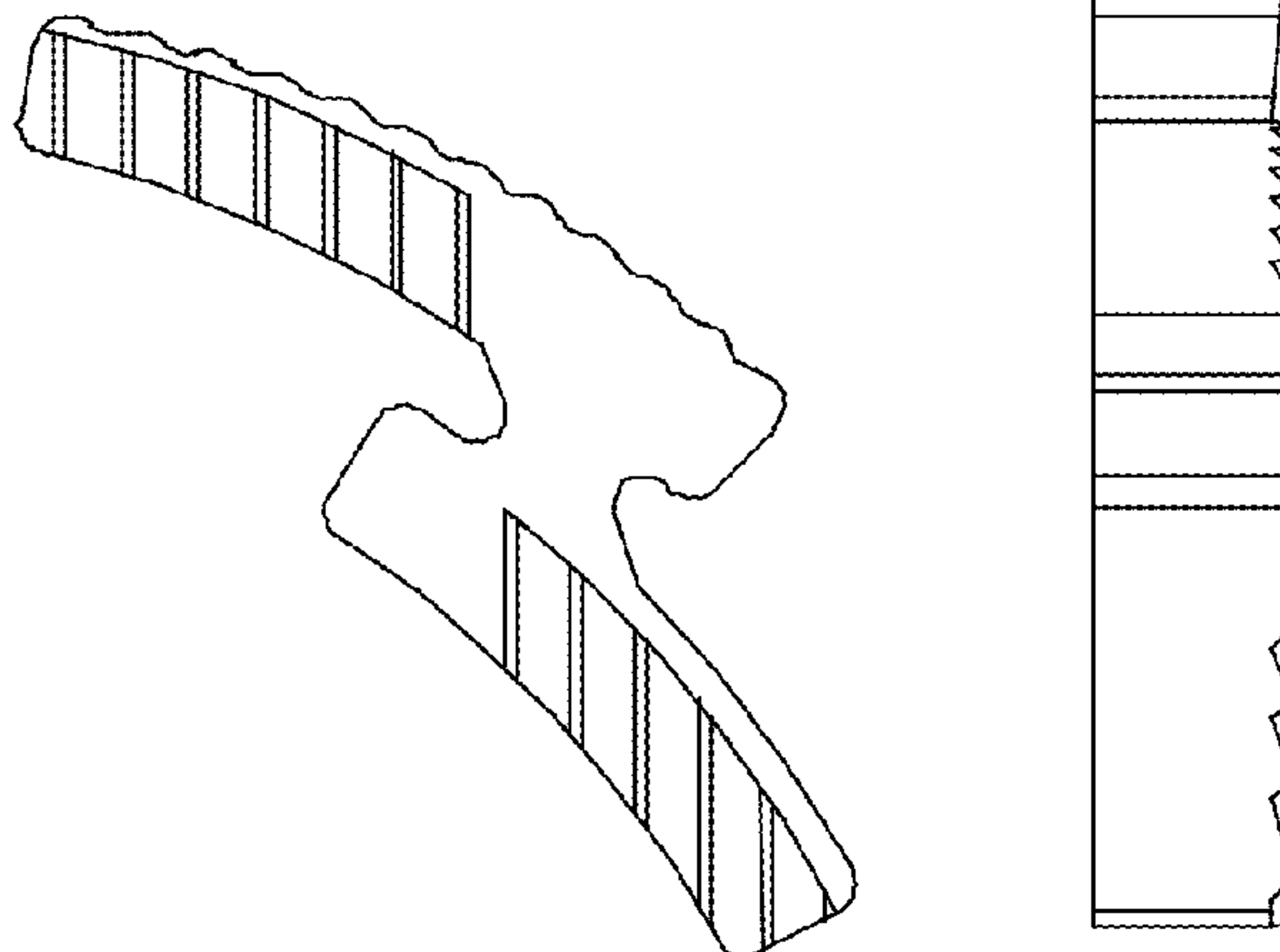
(57) **CLAIM**

The ornamental design for an abrasive article having shaped segments, as shown and described.

DESCRIPTION

FIG. 1 is a front view of a segment for an abrasive article; FIG. 2 is a rear view of the segment; FIG. 3 is a first side view of the segment; FIG. 4 is a second side view of the segment; FIG. 5 is a top view of the segment; and, FIG. 6 is a bottom view of the segment.

1 Claim, 1 Drawing Sheet



(56)

References Cited

U.S. PATENT DOCUMENTS

D607,025 S * 12/2009 Niemi et al. D15/139
 D624,569 S * 9/2010 Norling D15/139
 2003/0139128 A1 7/2003 Spangenberg et al.

OTHER PUBLICATIONS

amazon.com, "Americut Arrow FPA7T Segmented Turbo Cup Wheel, Threaded 5/8-Inch-11 Thread," http://www.amazon.com/Americut-FPA7T-Segmented-Threaded-8-Inch-11/dp/B002UTJFD2/ref=sr_1_cc_1?s=aps&ie=UTF8&qid=1379015708&sr=1-1-catcorr&keywords=Americut+Arrow+FPA7T+Segmented+Turbo+Cup+Wheel%2C+Threaded+5%2F8-Inch-11+Thread, Nov. 13, 2009, 3 pages.
 amazon.com, "GW1 Super Premium Diamond Cup Wheels Size: 5"x5/8"-11 THD," http://www.amazon.com/Super-Premium-Diamond-Wheels-Size/dp/B0014GO86Q/ref=sr_1_fkmr0_3?s=hi&ie=UTF8&qid=1379015834&sr=1-3-fkrm0&keywords=GW1+Super+Premium+Diamond+Cup+Wheels+Size%3A+5%22+x+5%2F8%22-11+THD, Nov. 30, 2007, 3 pages.
 amazon.com, "5" with 7/8"-5/8" arbor," http://www.amazon.com/NOVA-arbor/dp/B005G0FPJK/ref=sr_1_15?s=hi&ie=UTF8&qid=1379015949&sr=1-15&keywords=nova+arbor, Aug. 5, 2011, 4 pages.
 amazon.com, "Q4 4" 5/8"-11 Turbo T-Cup Coarse Diamond Wheel," http://www.amazon.com/Q4-Turbo-T-Cup-Coarse-Diamond/dp/B001RQJM4Q/ref=sr_1_fkmr2_2?s=hi&ie=UTF8&qid=1379016474&sr=1-2-fkmr2&keywords=Q4+4%22+5%2F8%22-11+Turbo+T-Cup+Coarse+Diamond+Wheel, Jun. 23, 2011, 3 pages.
 amazon.com, "5" with 7/8" arbor," http://www.amazon.com/5-with-7-8-arbor/dp/B005G0FMUM/ref=sr_1_15?s=hi&ie=UTF8&qid=1379016586&sr=1-15&keywords=tdc+diamond+arbor, Aug. 5, 2011, 3 pages.
 amazon.com, "Viggor 7 In. Supreme Turbo Diamond Cup Wheel 7 with Nut 18 Segments 5/8-11: 3 Pack," http://www.amazon.com/Viggor-Supreme-Turbo-Diamond-Segments/dp/B004TVNV52/ref=sr_1_1?s=hi&ie=UTF8&qid=1379016680&sr=1-1&keywords=Viggor+7+In.+Supreme+Turbo+Diamond+Cup+Wheel, Oct. 25, 2011, 3 pages.
 amazon.com, "4" S33 Smooth Face Resin Filled Cup Wheels Size: Medium," <http://www.amazon.com/Smooth-Face-Resin-Filled-Wheels/dp/B003SM3TXM>, Jun. 21, 2010, 3 pages.
 amazon.com, "T-Segment Cup Wheels Cup Wheels Size: 4", http://www.amazon.com/T-Segment-Cup-Wheels-Size/dp/B002C407P0/ref=sr_1_1?s=hi&ie=UTF8&qid=1379017168&sr=1-1&keywords=mk+diamond+166377, Sep. 14, 2004, 3 pages.
 Regent Stone Products, "Weha WX2 Multi Blade/Cup Wheel," http://www.regentstoneproducts.com/item_detail2.aspx?ItemCode=WEHAWX2, May 1, 2012, 1 page.
 Samedia, "Diamond Tools," http://web.archive.org/web/20120110111831/http://www.samedia.com/frances/plateaux_de_surfacage.htm, Jan. 10, 2012, 1 page.

* cited by examiner

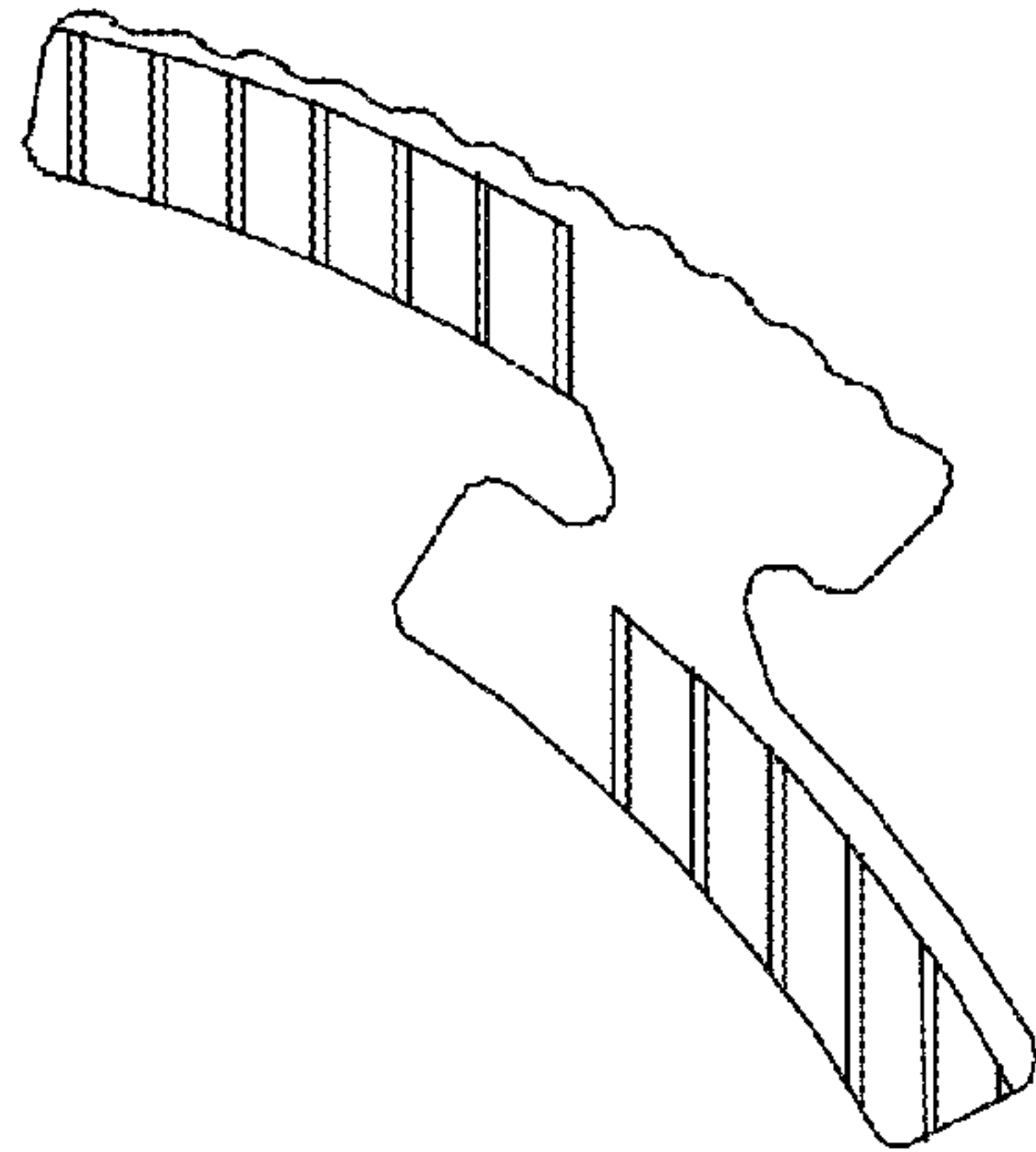


FIG. 1

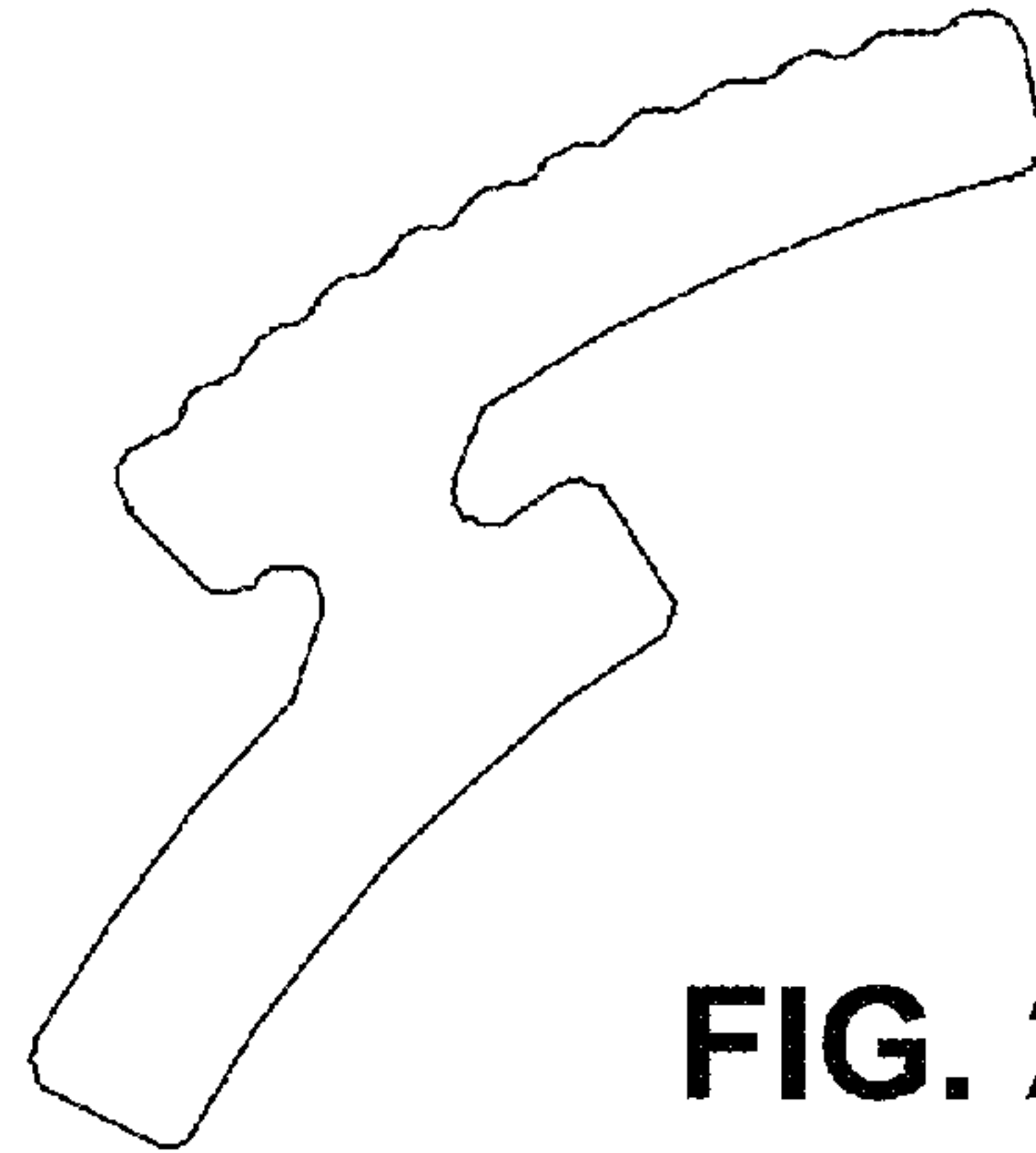


FIG. 2

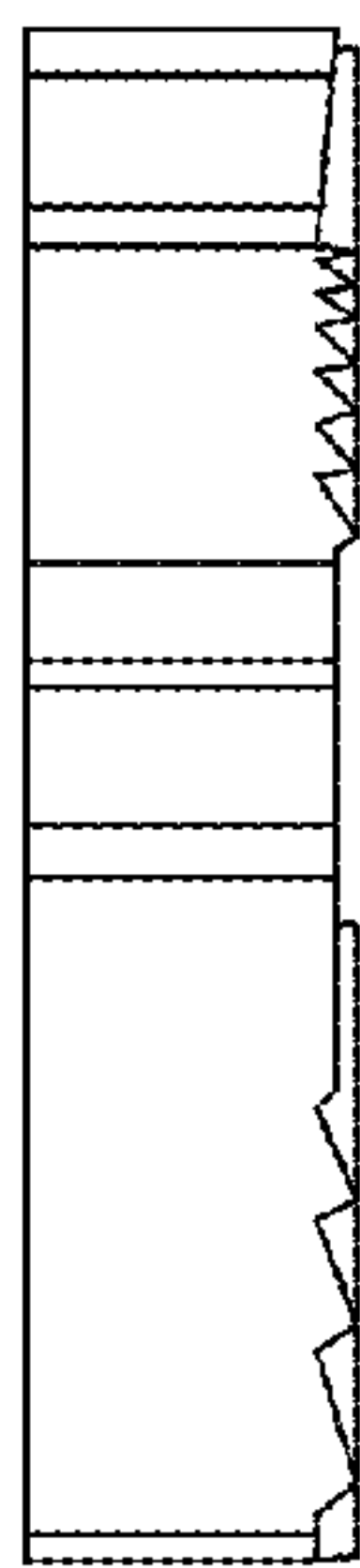


FIG. 3

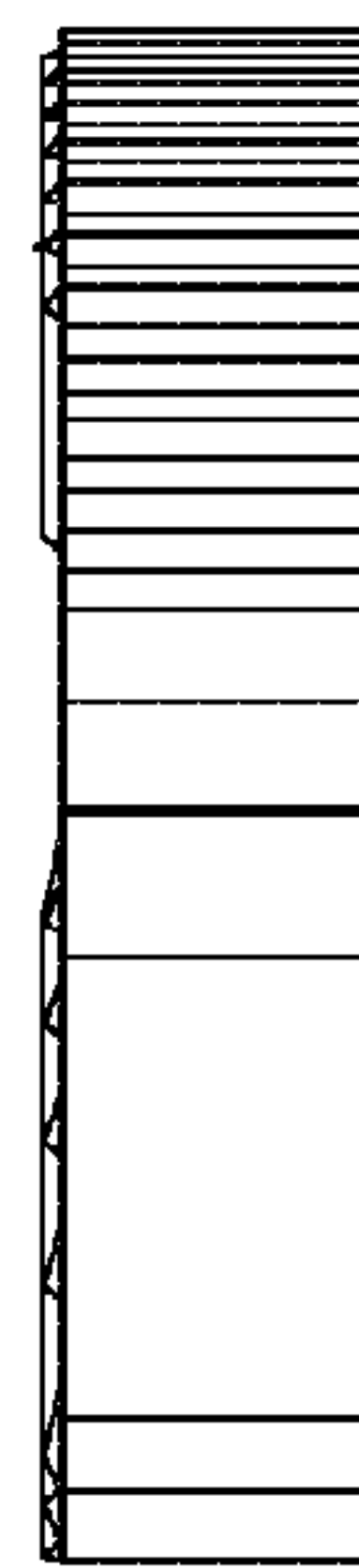


FIG. 4

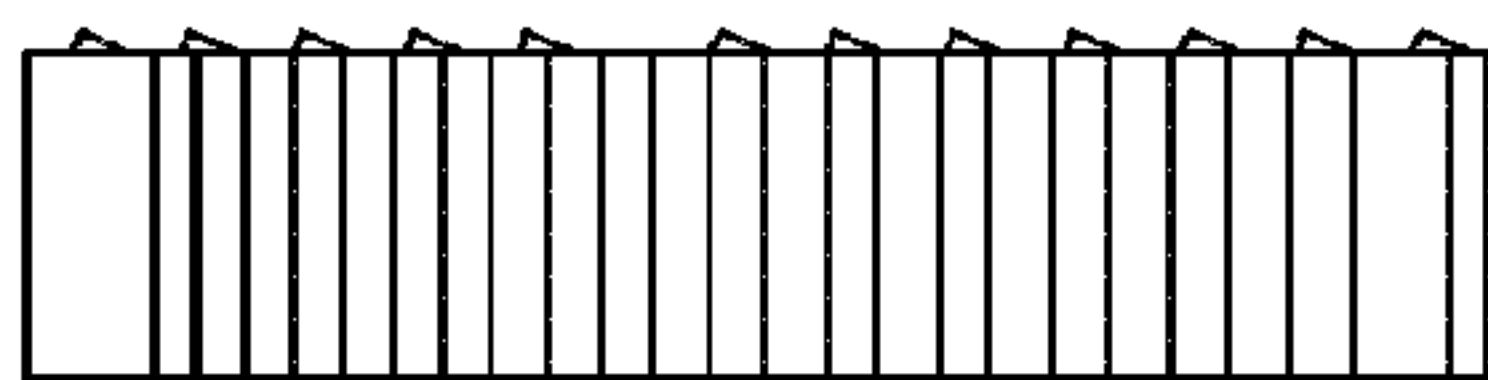


FIG. 5



FIG. 6