



US00D698369S

(12) **United States Design Patent**  
**Meza et al.**

(10) **Patent No.:** **US D698,369 S**  
(45) **Date of Patent:** **\*\* Jan. 28, 2014**

(54) **DIAPHRAGM PUMP**

(71) Applicant: **Flow Control LLC**, Beverly, MA (US)

(72) Inventors: **Humberto V. Meza**, Trabuco Canyon, CA (US); **Manuel Villagomez**, Corona, CA (US); **Derrick T. Tran**, Yorba Linda, CA (US)

(73) Assignee: **Flow Control LLC.**, Beverly, MA (US)

(\*\*) Term: **14 Years**

(21) Appl. No.: **29/457,195**

(22) Filed: **Jun. 7, 2013**

(51) **LOC (10) Cl.** ..... **15-02**

(52) **U.S. Cl.**  
USPC ..... **D15/7**

(58) **Field of Classification Search**  
USPC ..... D15/7-9; 417/60, 235, 265, 321, 355,  
417/358, 363, 359, 410.1, 415-416, 405,  
417/900; D23/231, 232, 225  
See application file for complete search history.

(56) **References Cited**

U.S. PATENT DOCUMENTS

D400,892 S	*	11/1998	Williams	.....	D15/9
D405,097 S	*	2/1999	Wong	.....	D15/7
D415,500 S	*	10/1999	Poon	.....	D15/7
D451,521 S	*	12/2001	Poon	.....	D15/7
D464,976 S	*	10/2002	Krieger et al.	.....	D15/9
D467,941 S	*	12/2002	Duncan	.....	D15/7
D467,942 S	*	12/2002	Duncan	.....	D15/7
D470,863 S	*	2/2003	Williams	.....	D15/7
D487,899 S	*	3/2004	Poon	.....	D15/7

D510,939 S	*	10/2005	Nikolayev et al.	.....	D15/9
D558,795 S	*	1/2008	Saunders et al.	.....	D15/7
D559,866 S	*	1/2008	Saunders et al.	.....	D15/7
D656,518 S	*	3/2012	Varini	.....	D15/7
D660,320 S	*	5/2012	Varini	.....	D15/7
D664,156 S	*	7/2012	Meza et al.	.....	D15/7
D669,501 S	*	10/2012	Meza et al.	.....	D15/7

\* cited by examiner

*Primary Examiner* — Ralf Seifert

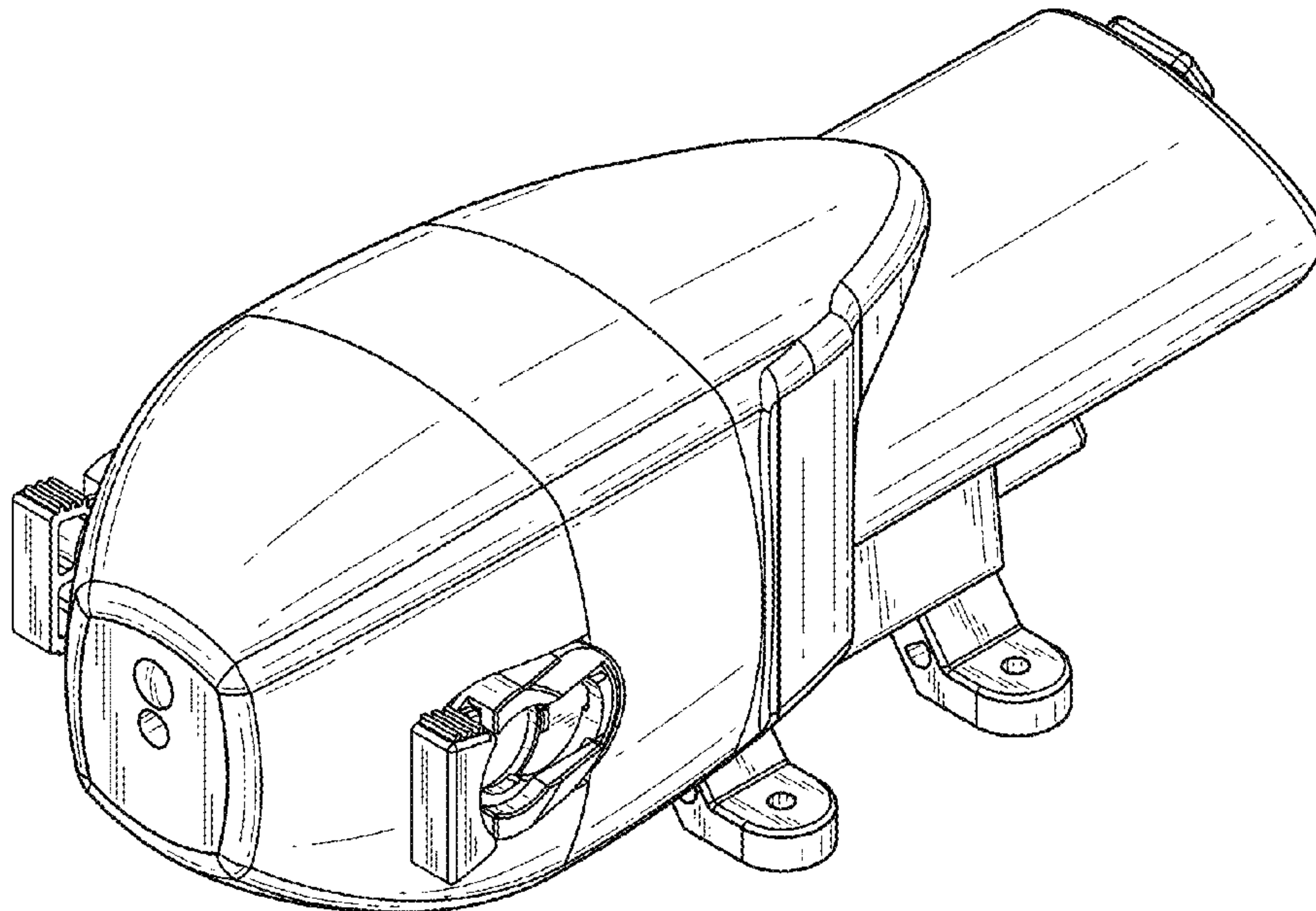
(57) **CLAIM**

We claim the ornamental design of a diaphragm pump, as shown and described herein.

**DESCRIPTION**

FIG. 1 is a top perspective view of a diaphragm pump according to some embodiments of the present invention;  
 FIG. 2 is a bottom perspective view of the diaphragm pump shown in FIG. 1 according to some embodiments of the present invention;  
 FIG. 3 is a front view of the diaphragm pump shown in FIG. 1 according to some embodiments of the present invention;  
 FIG. 4 is a back view of the diaphragm pump shown in FIG. 1 according to some embodiments of the present invention;  
 FIG. 5 is a side of the diaphragm pump shown in FIG. 1 according to some embodiments of the present invention;  
 FIG. 6 is a side view of the diaphragm pump shown in FIG. 1 from the other side according to some embodiments of the present invention;  
 FIG. 7 is a top view of the diaphragm pump shown in FIG. 1 according to some embodiments of the present invention; and,  
 FIG. 8 is a bottom view of the diaphragm pump shown in FIG. 1 according to some embodiments of the present invention.

**1 Claim, 3 Drawing Sheets**



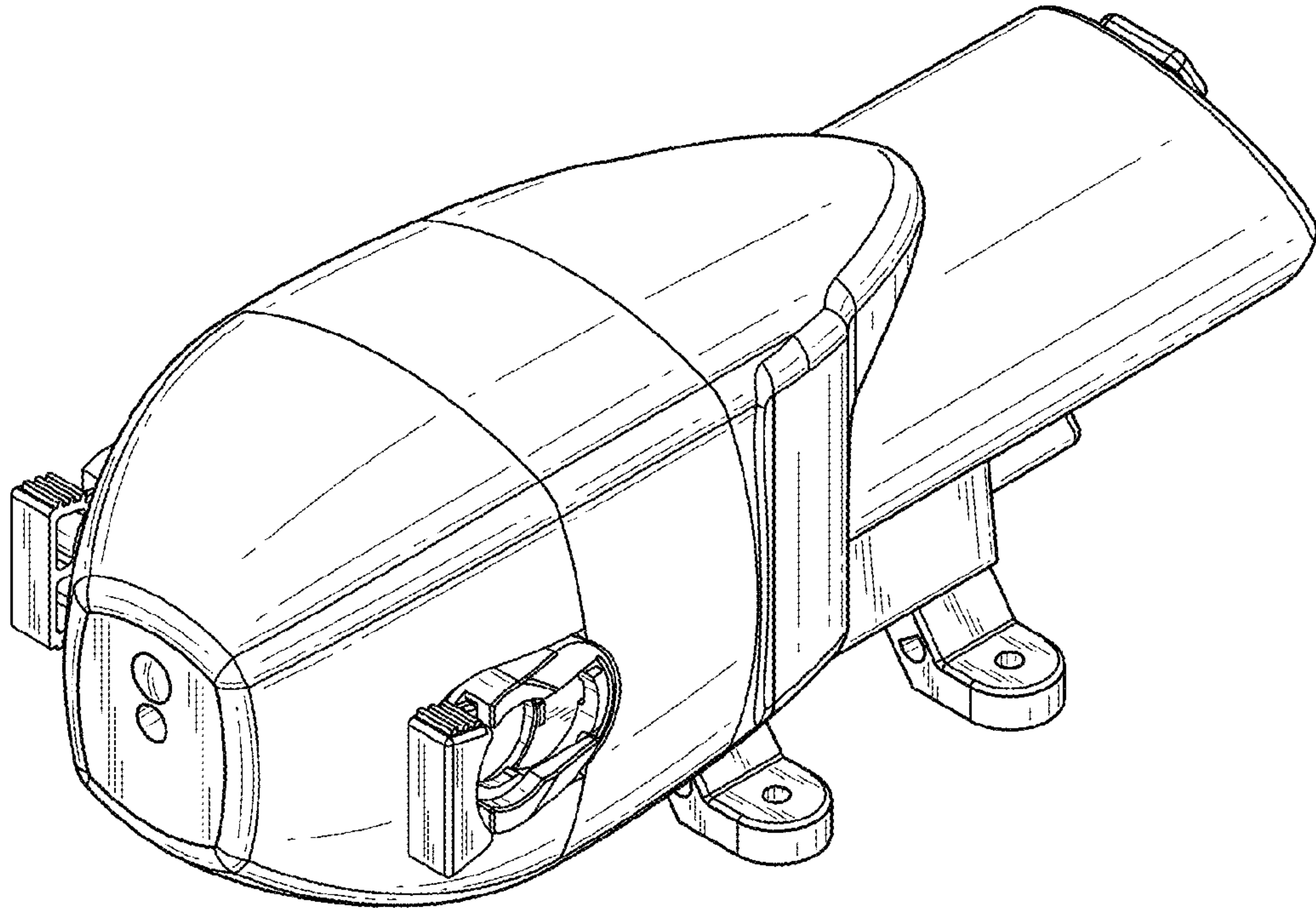


FIG. 1

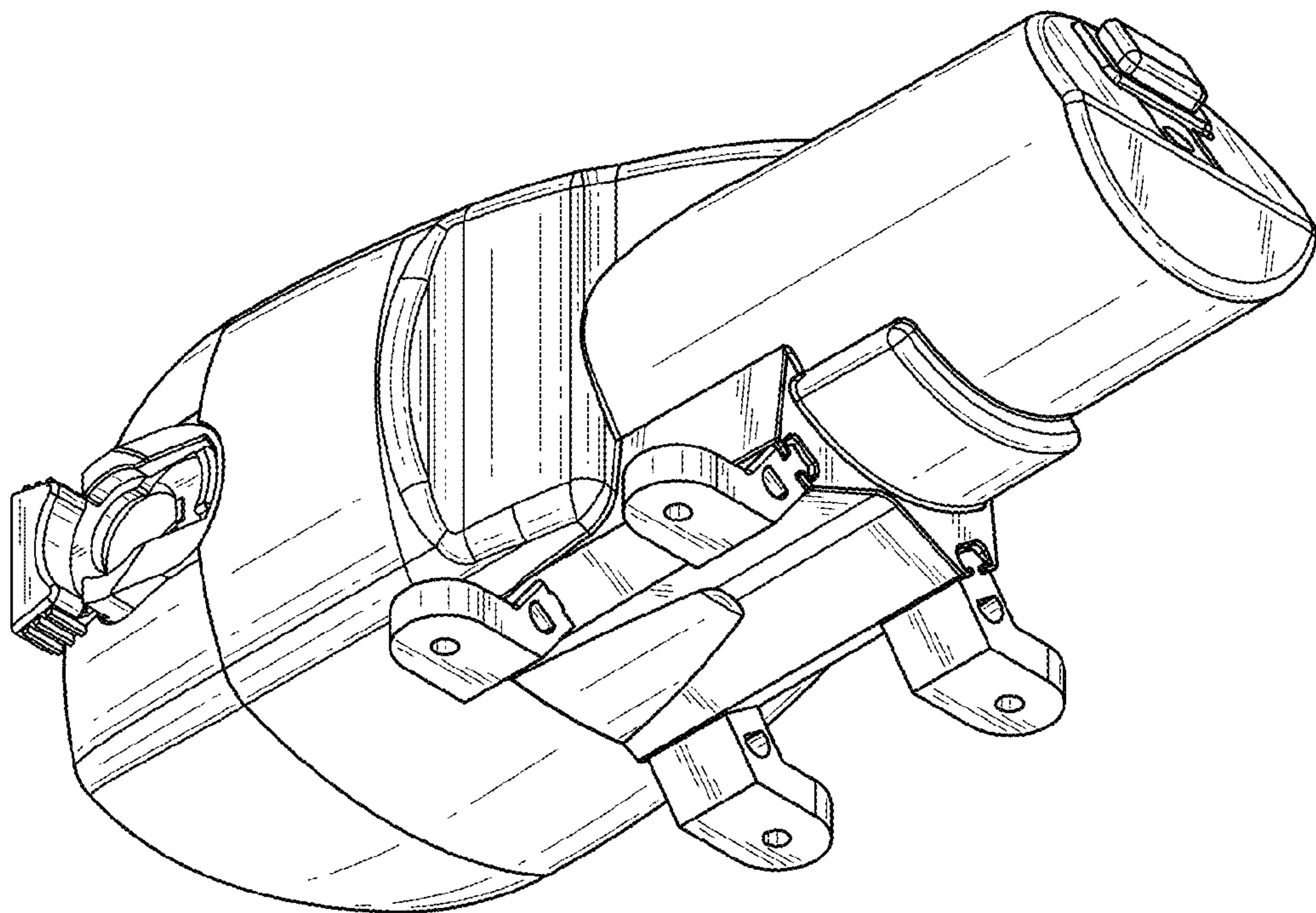


FIG. 2



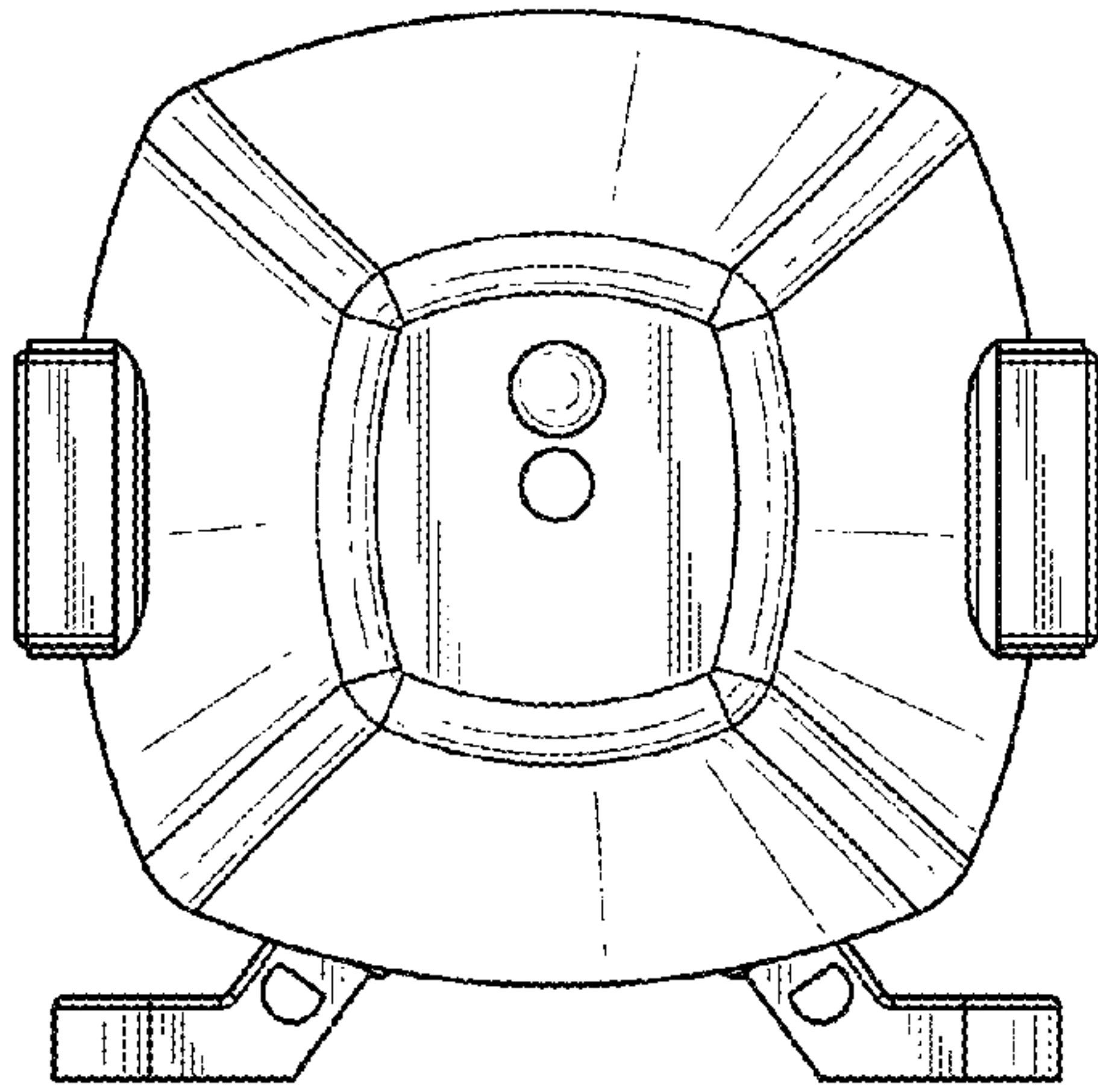


FIG. 3

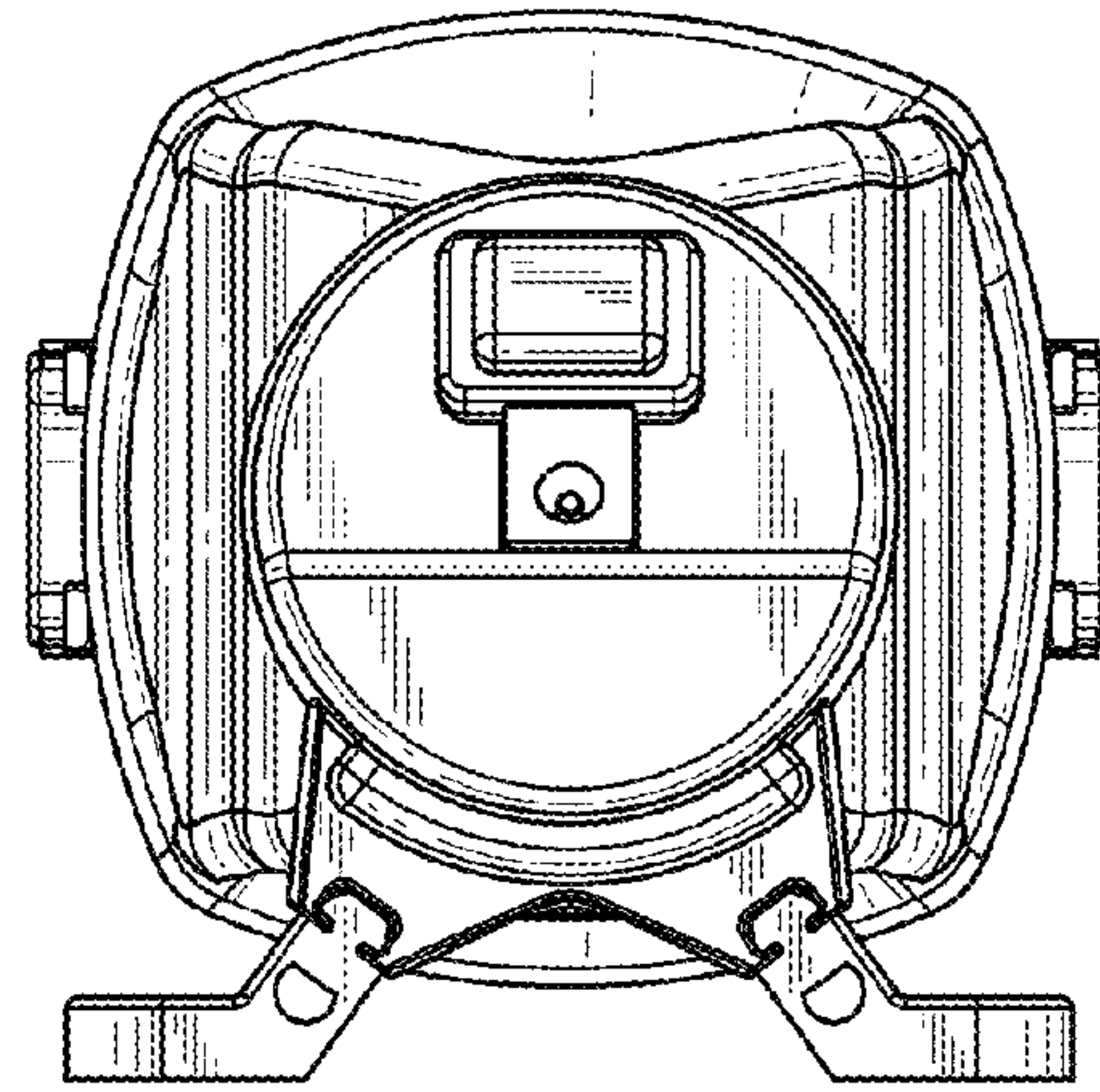


FIG. 4

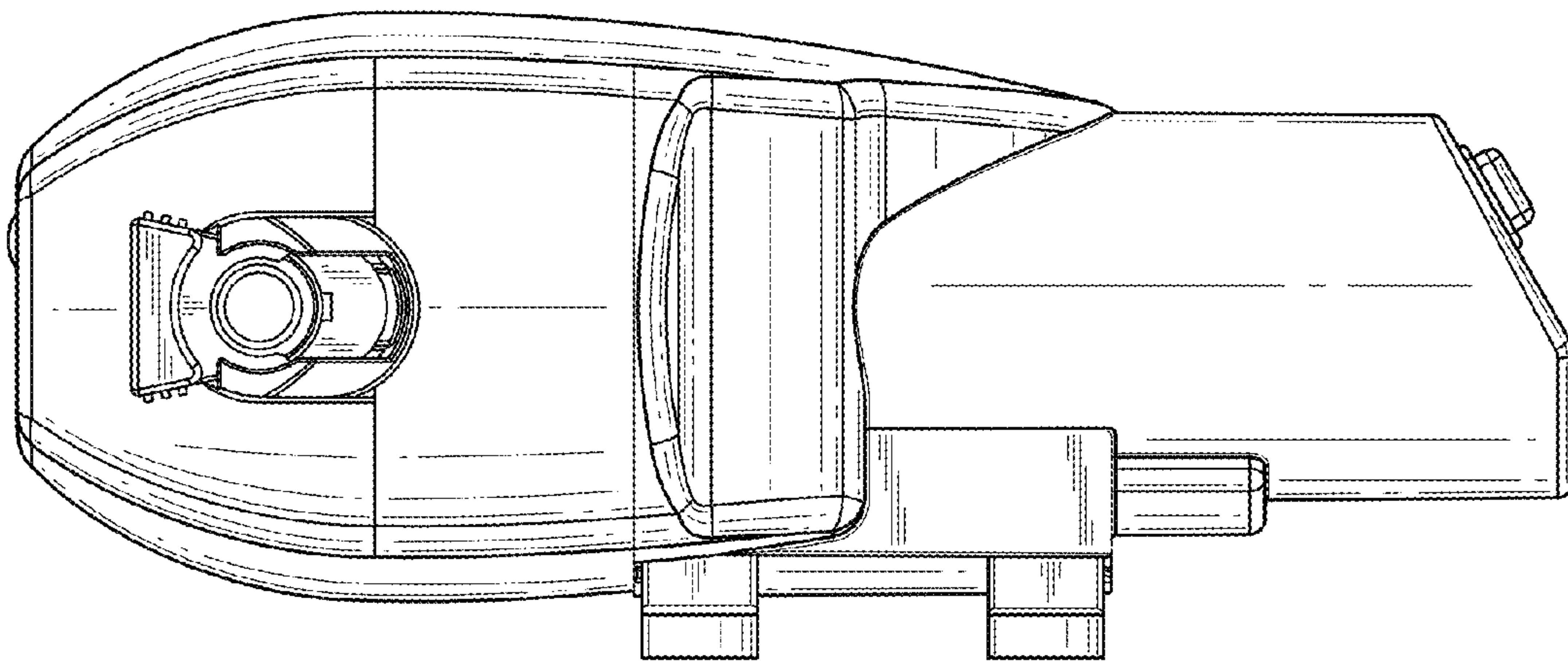


FIG. 5

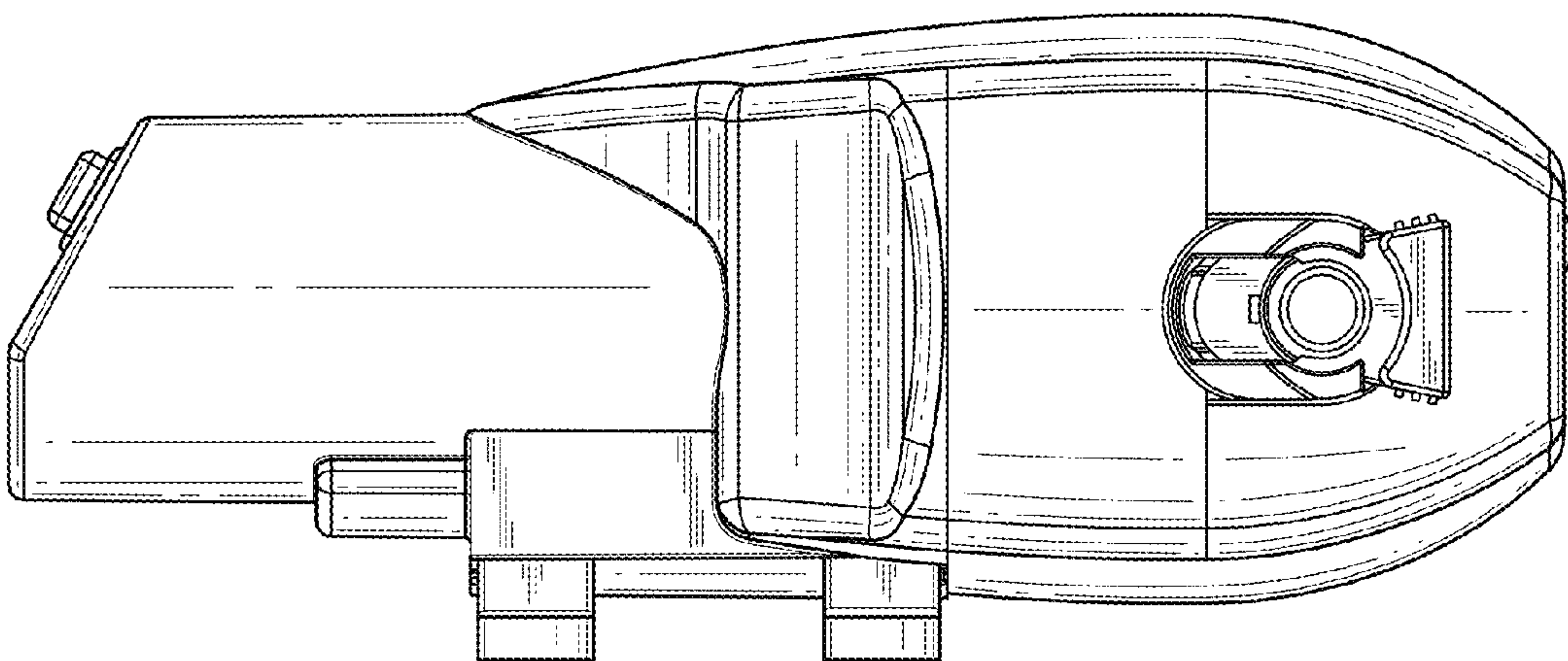


FIG. 6

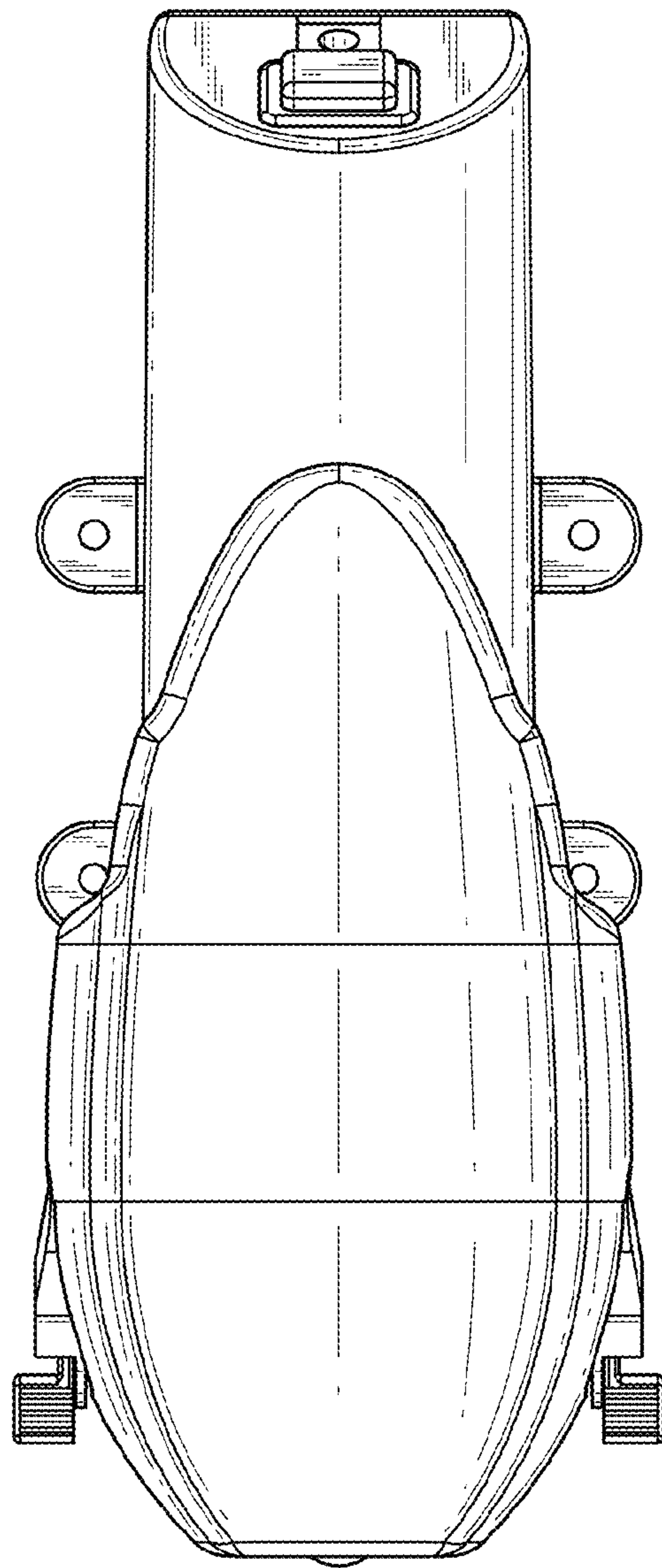


FIG. 7

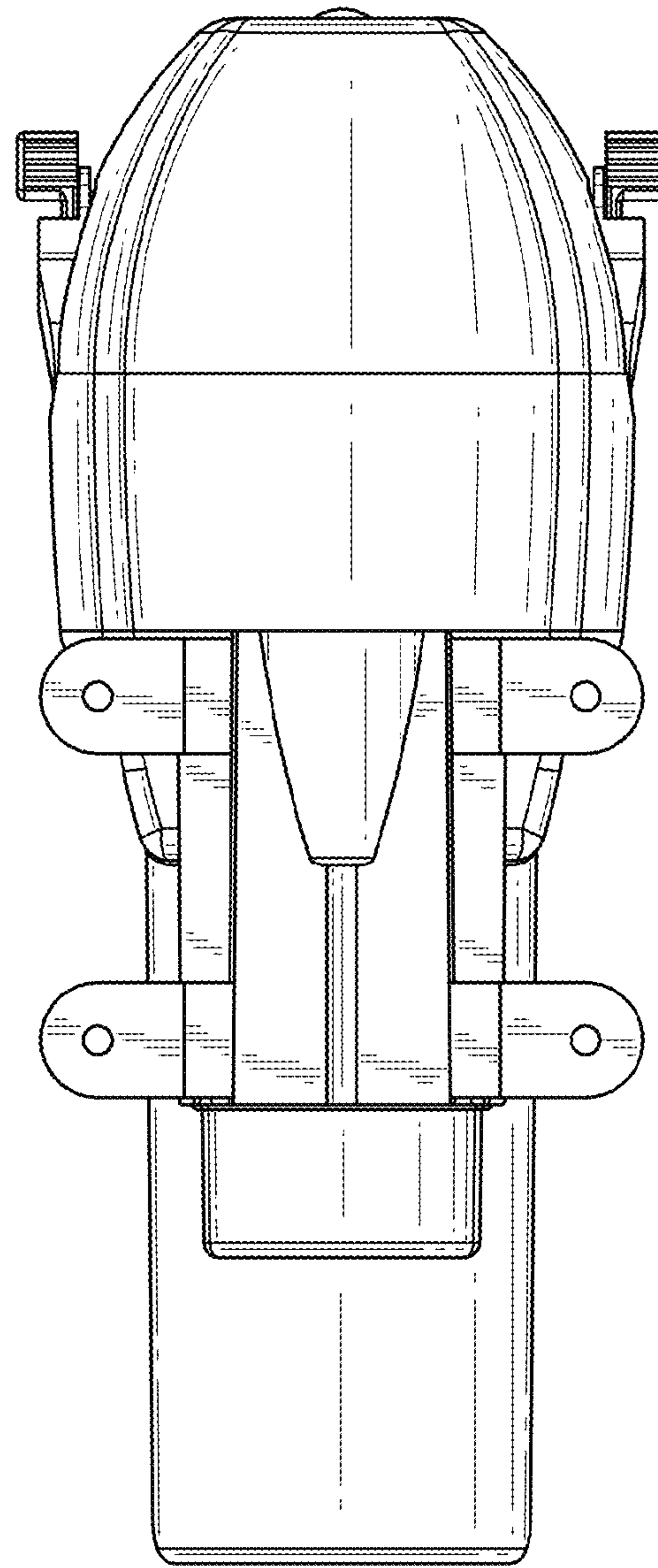


FIG. 8