



US00D698368S

(12) **United States Design Patent**
Le et al.

(10) **Patent No.:** **US D698,368 S**
(45) **Date of Patent:** **** Jan. 28, 2014**

- (54) **MAGNETIC PUMP WET END**
- (71) Applicants: **Kevin Le**, Richland Hills, TX (US);
Thanh Le, Grand Prairie, TX (US)
- (72) Inventors: **Kevin Le**, Richland Hills, TX (US);
Thanh Le, Grand Prairie, TX (US)
- (73) Assignee: **LURACO Technologies, Inc.**,
Arlington, TX (US)
- (**) Term: **14 Years**
- (21) Appl. No.: **29/451,782**
- (22) Filed: **Apr. 8, 2013**
- (51) **LOC (10) Cl.** **15-02**
- (52) **U.S. Cl.**
USPC **D15/7**
- (58) **Field of Classification Search**
USPC D15/7-9; D23/231, 232, 225;
417/410.1, 359, 415-416, 234, 321,
417/265, 405
See application file for complete search history.

D574,855 S *	8/2008	Chu	D15/9
D602,501 S *	10/2009	Ton	D15/7
D611,066 S *	3/2010	Foreman	D15/7
D611,504 S *	3/2010	Ton	D15/7
D622,736 S *	8/2010	Le et al.	D15/7
D633,106 S *	2/2011	Le et al.	D15/7

* cited by examiner

Primary Examiner — Ralf Seifert

(74) *Attorney, Agent, or Firm* — Hoang Steve Ngo

(57) **CLAIM**

The ornamental design for a magnetic pump wet end, as shown and described.

DESCRIPTION

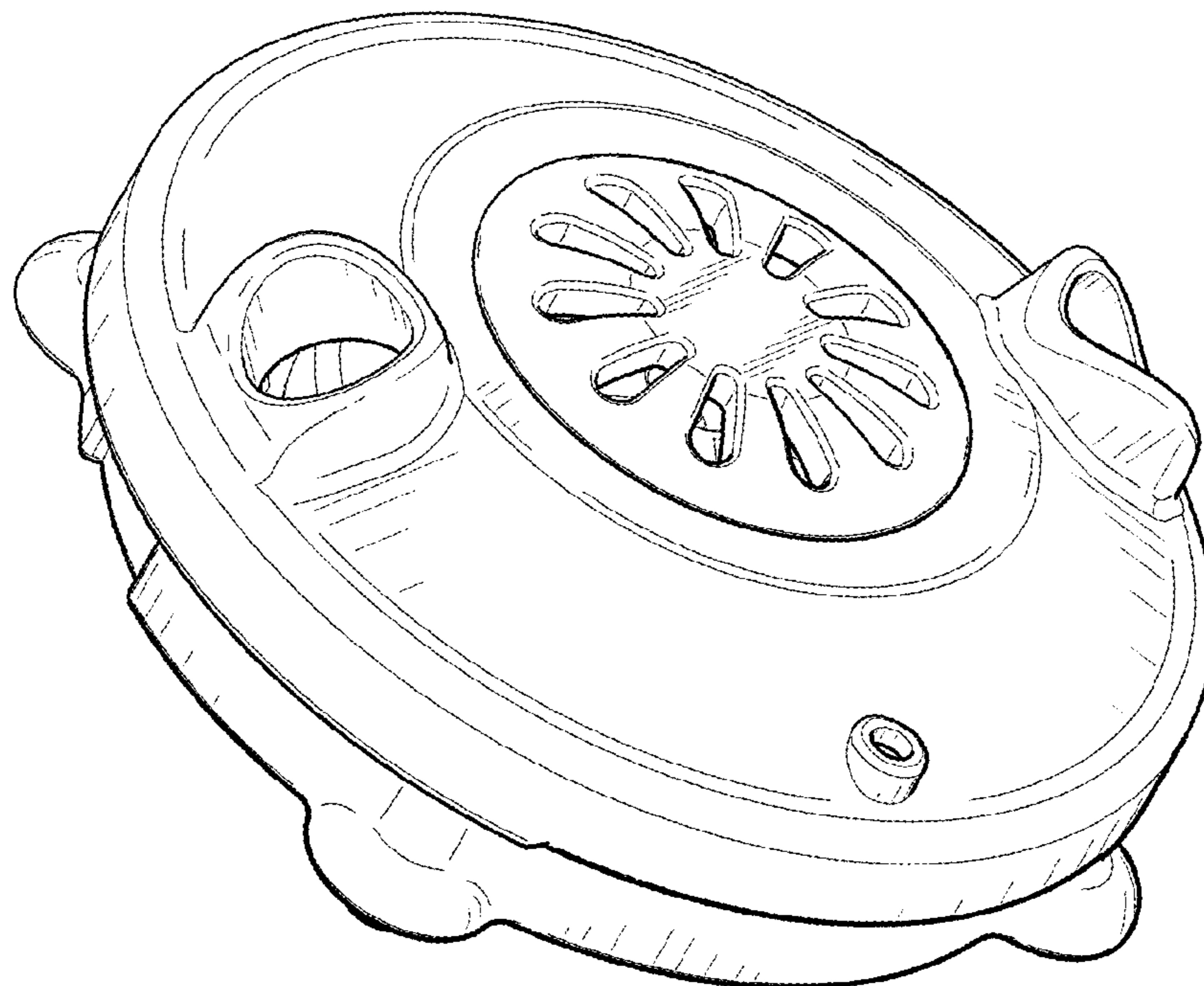
FIG. 1 is a front view of a magnetic pump wet end showing my new design;
 FIG. 2 is a rear view thereof;
 FIG. 3 is a left side view thereof;
 FIG. 4 is a right side view thereof;
 FIG. 5 is a top view thereof;
 FIG. 6 is a bottom view thereof;
 FIG. 7 is a perspective, front and left side view thereof; and,
 FIG. 8 is a perspective, rear view thereof.
 The broken lines shown in the drawing views are included for illustrative purposes only, and form no part of the claimed design.

(56) **References Cited**

U.S. PATENT DOCUMENTS

D436,603 S *	1/2001	Mackie et al.	D15/9
D490,819 S *	6/2004	Wahlberg	D15/7

1 Claim, 6 Drawing Sheets



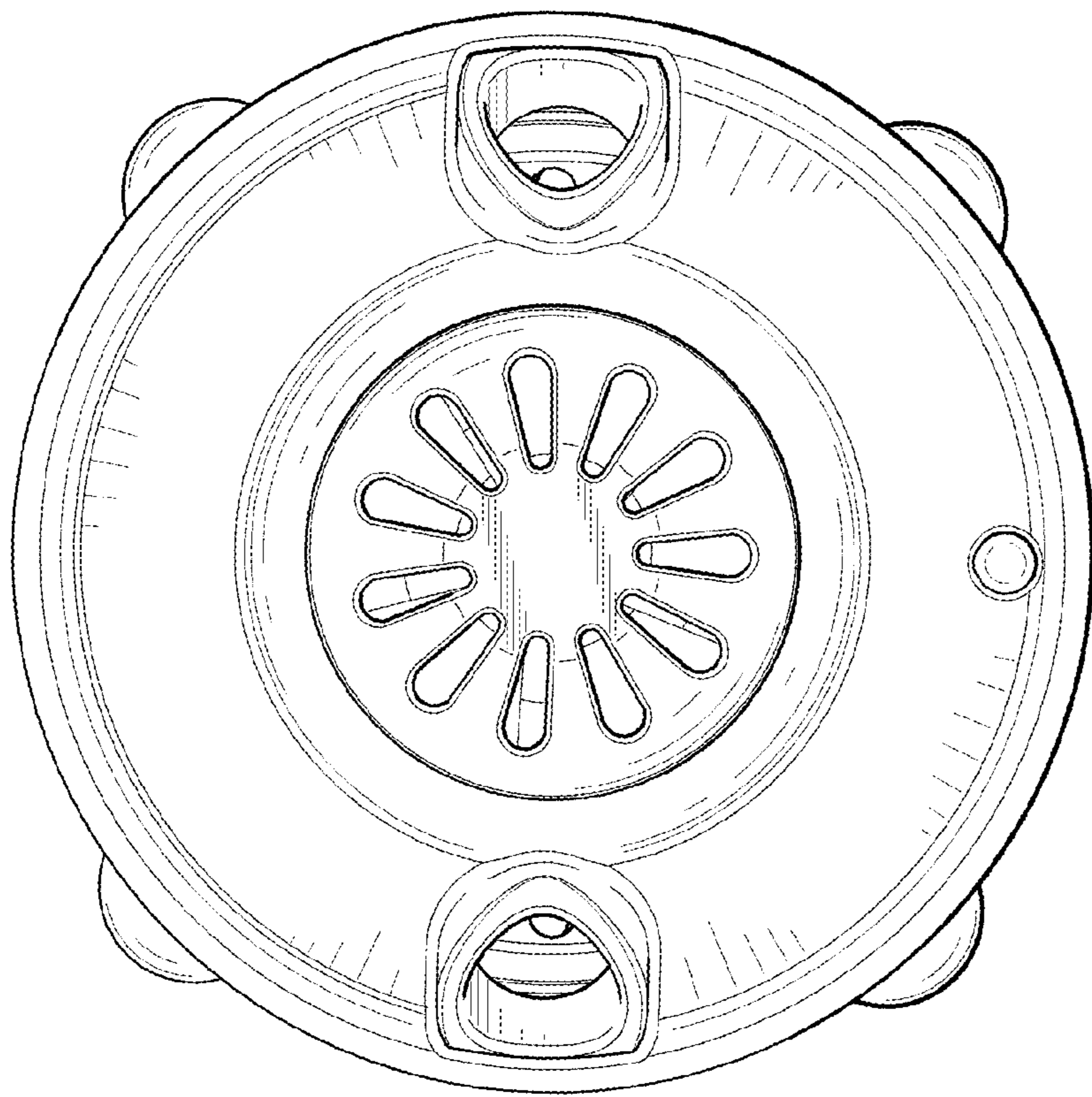


FIG. 1

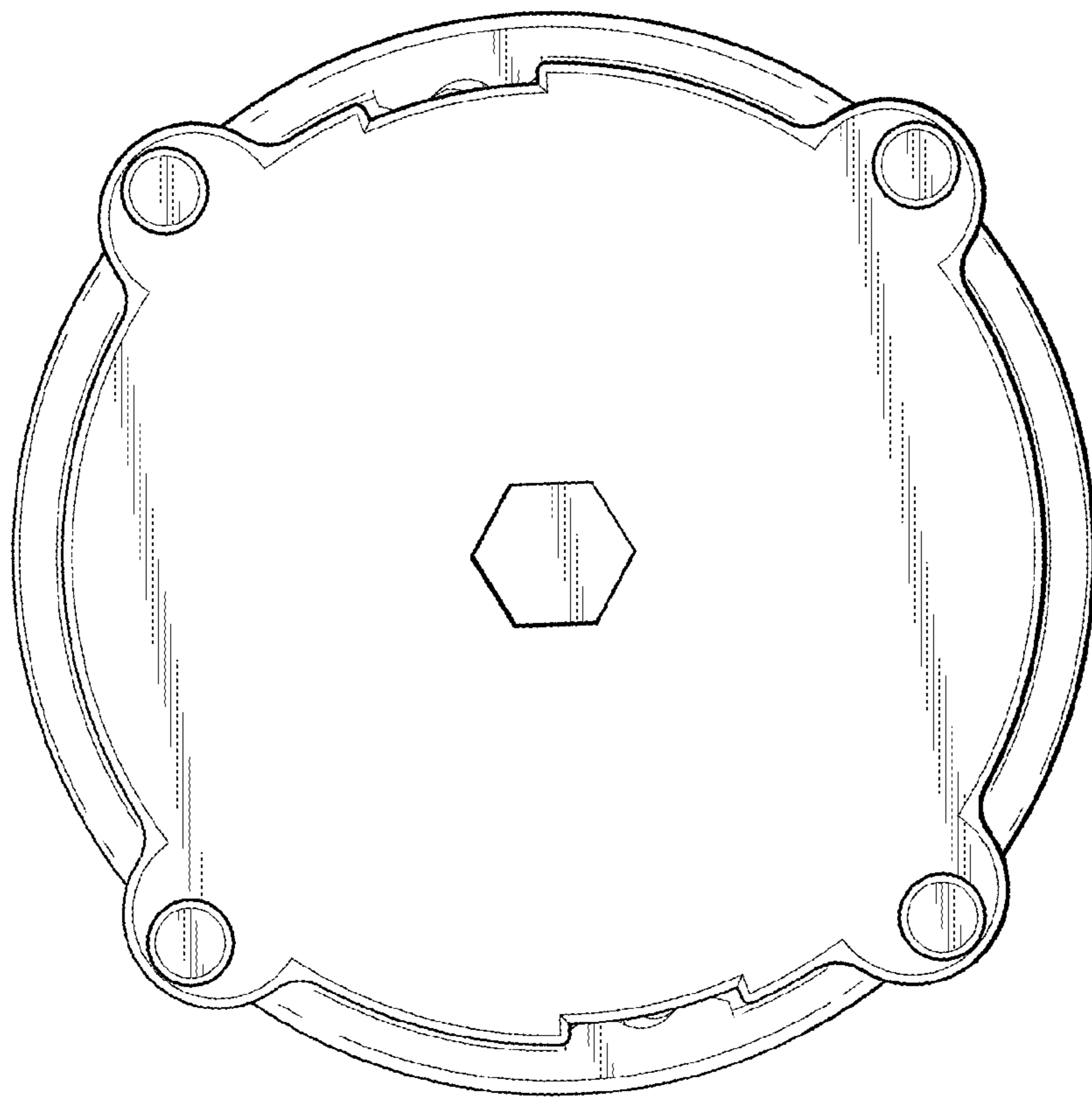


FIG. 2

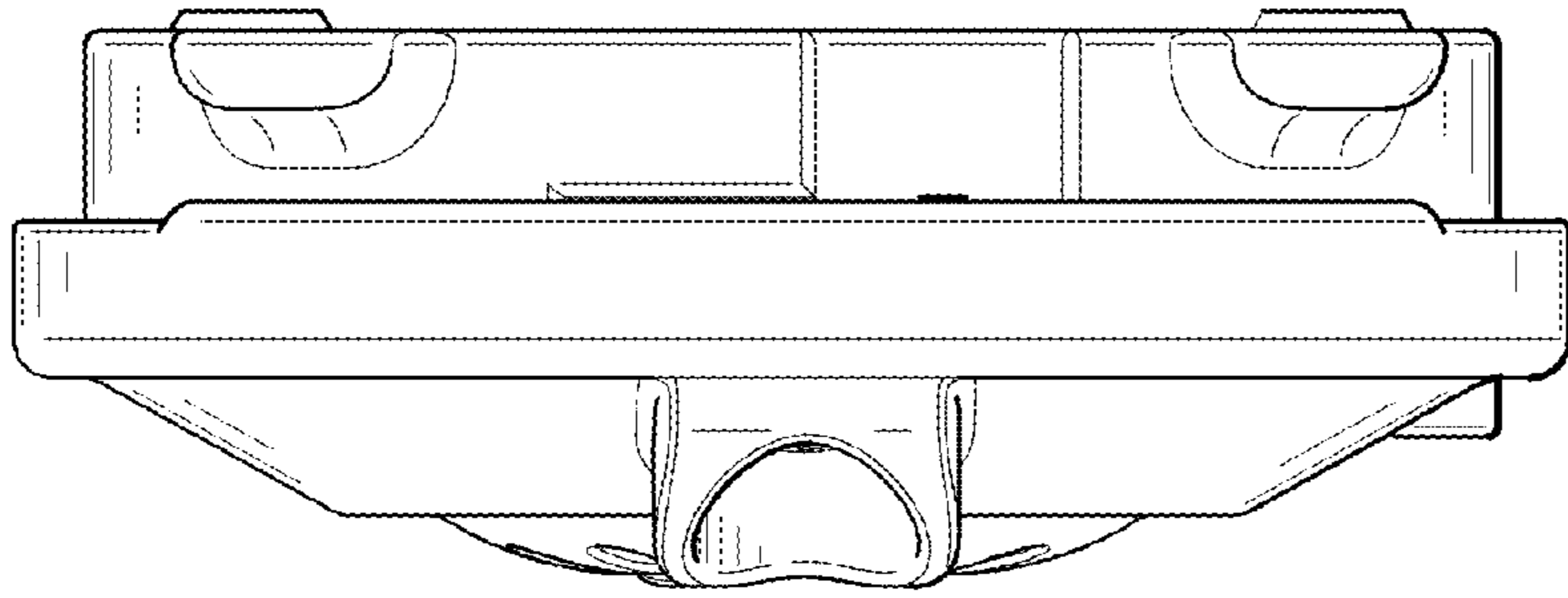


FIG. 4

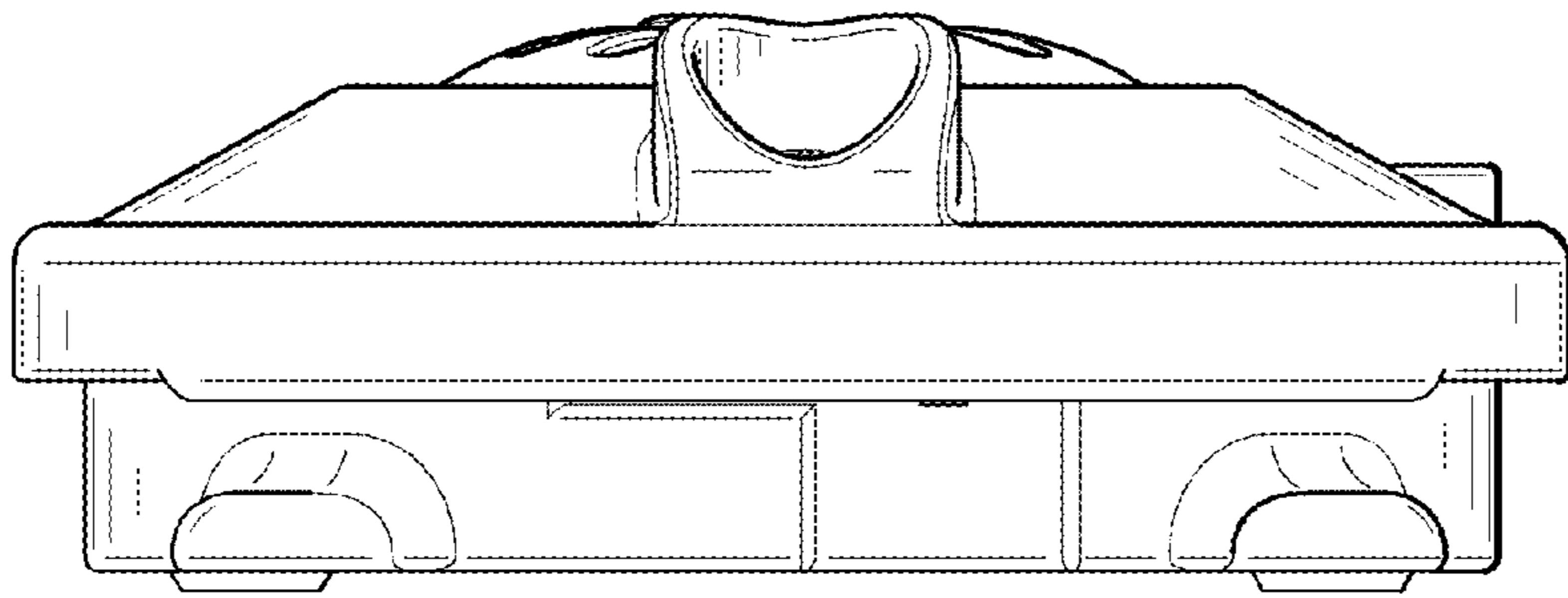


FIG. 3

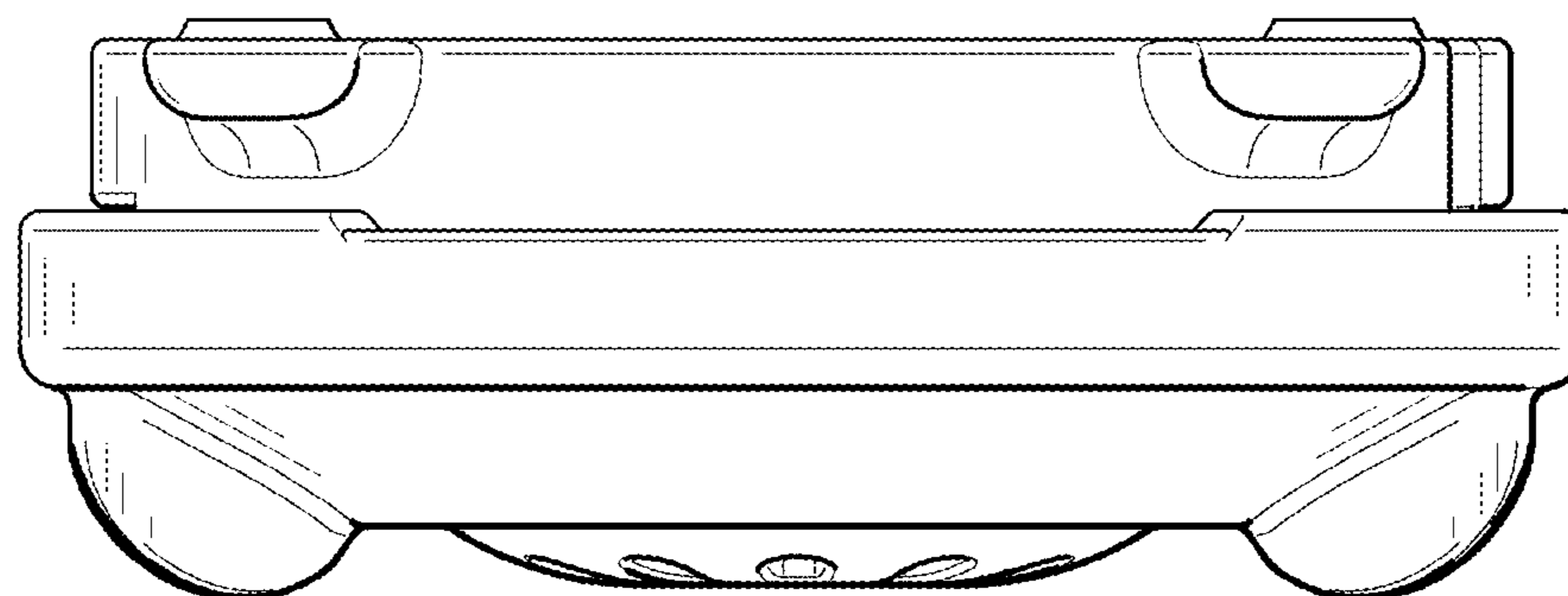


FIG. 5

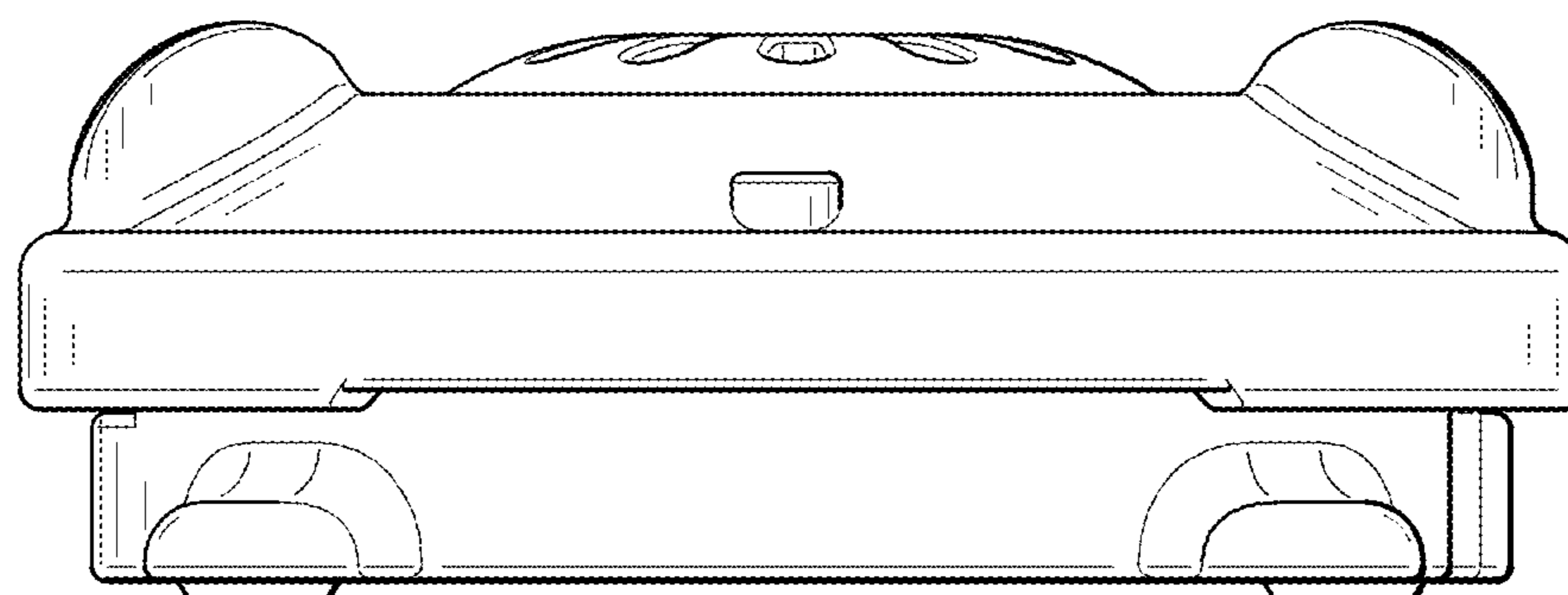


FIG. 6

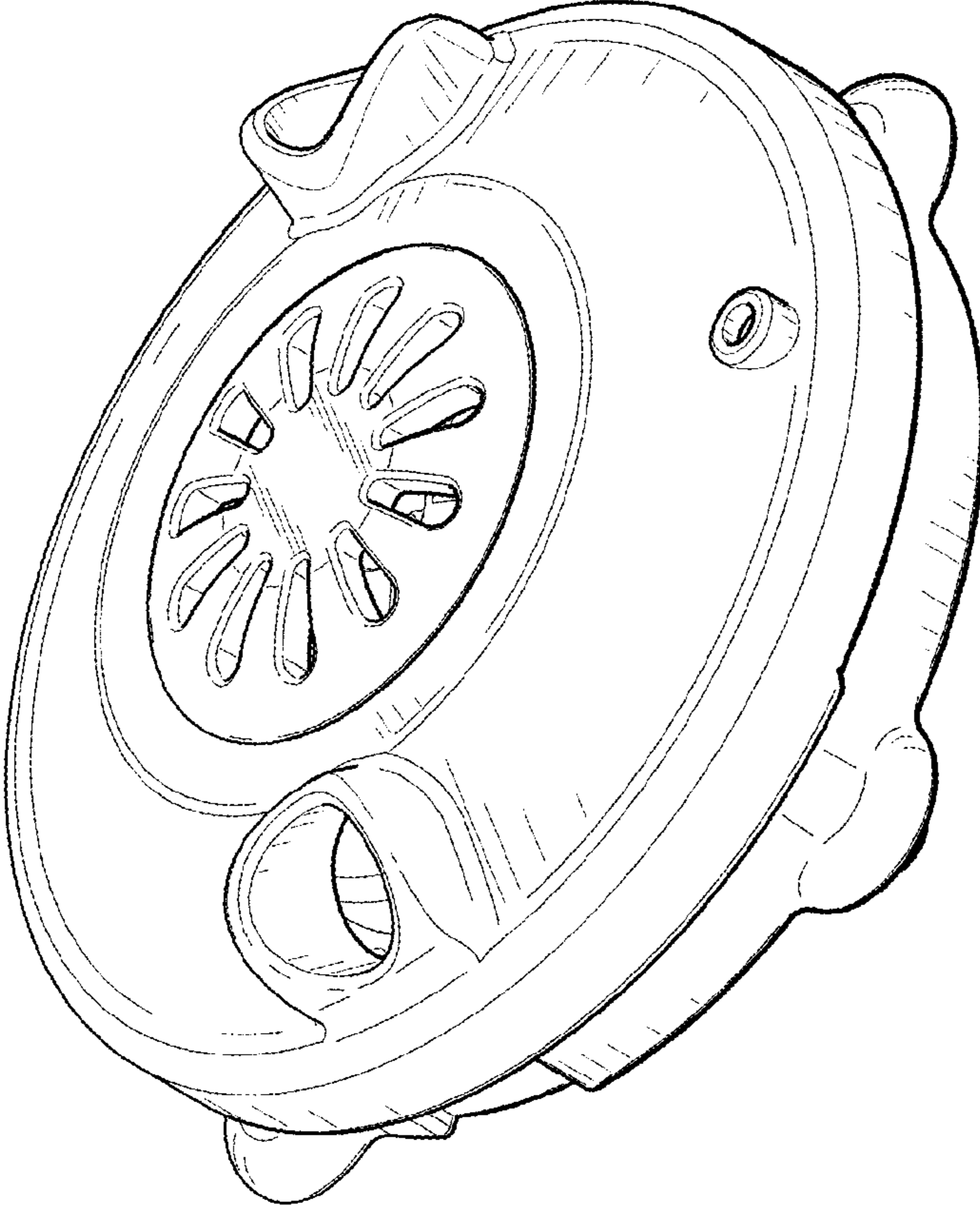


FIG. 7

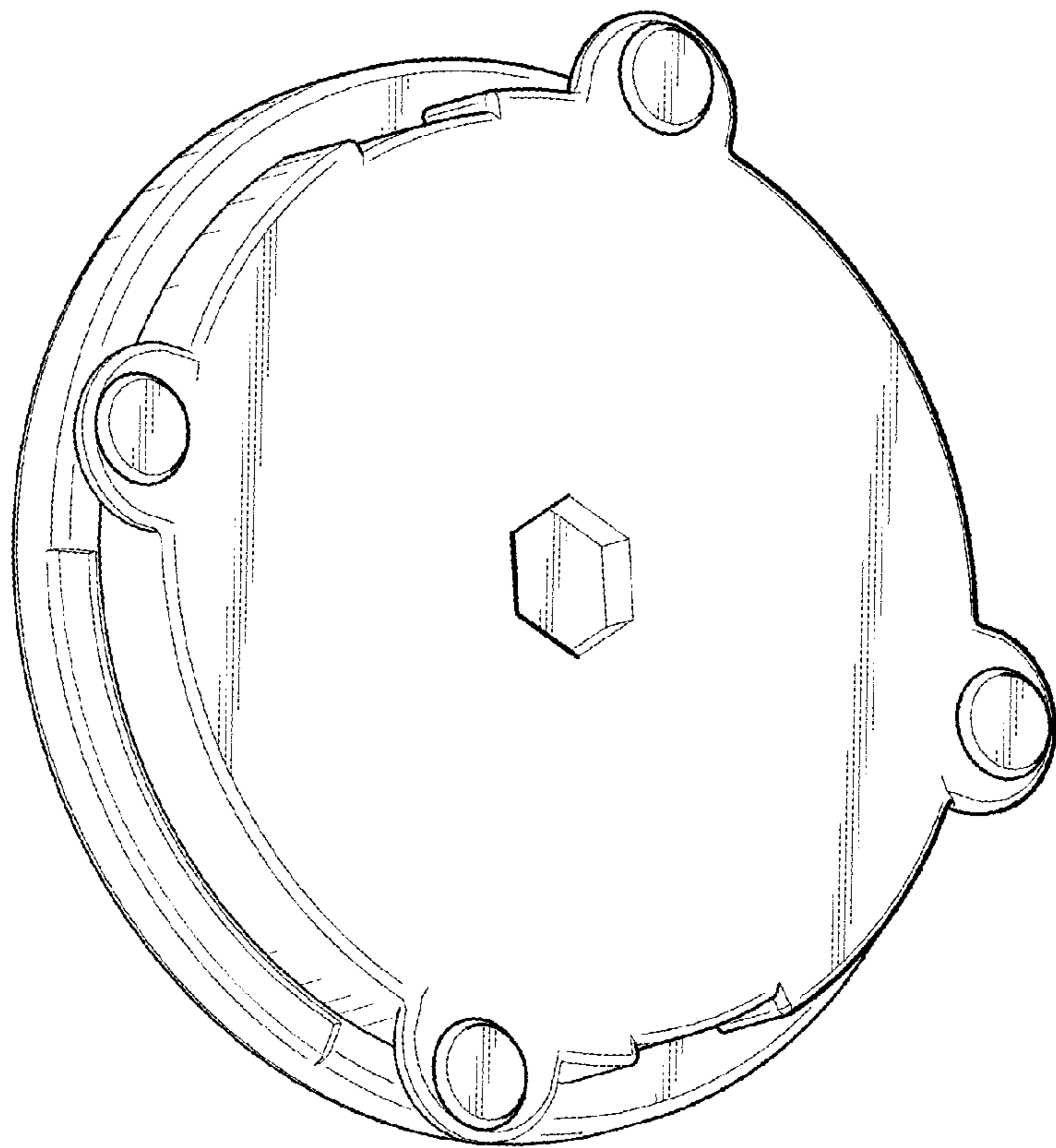


FIG. 8