



US00D698367S

(12) **United States Design Patent**
Rees

(10) **Patent No.:** **US D698,367 S**

(45) **Date of Patent:** **** Jan. 28, 2014**

(54) **WATER PUMP**

(75) Inventor: **Samuel Ryan Rees**, Sheffield (GB)

(73) Assignee: **Evolution Power Tools Limited**,
Sheffield (GB)

(**) Term: **14 Years**

(21) Appl. No.: **29/404,668**

(22) Filed: **Oct. 24, 2011**

(51) **LOC (10) Cl.** **15-02**

(52) **U.S. Cl.**
USPC **D15/7**

(58) **Field of Classification Search**
USPC D15/7-9; D23/231, 232; 417/410.1,
417/359, 415-416, 234, 321, 265, 405;
D24/107, 108, 111
See application file for complete search history.

(56) **References Cited**

U.S. PATENT DOCUMENTS

D620,848 S * 8/2010 Haines D12/160
D623,665 S * 9/2010 Hunnekuhl D15/7

D629,423 S * 12/2010 Varini D15/7
D647,110 S * 10/2011 Pages D15/7
D650,813 S * 12/2011 Varini D15/7
D660,320 S * 5/2012 Varini D15/7

* cited by examiner

Primary Examiner — Ralf Seifert

(74) *Attorney, Agent, or Firm* — Clark Hill PLC

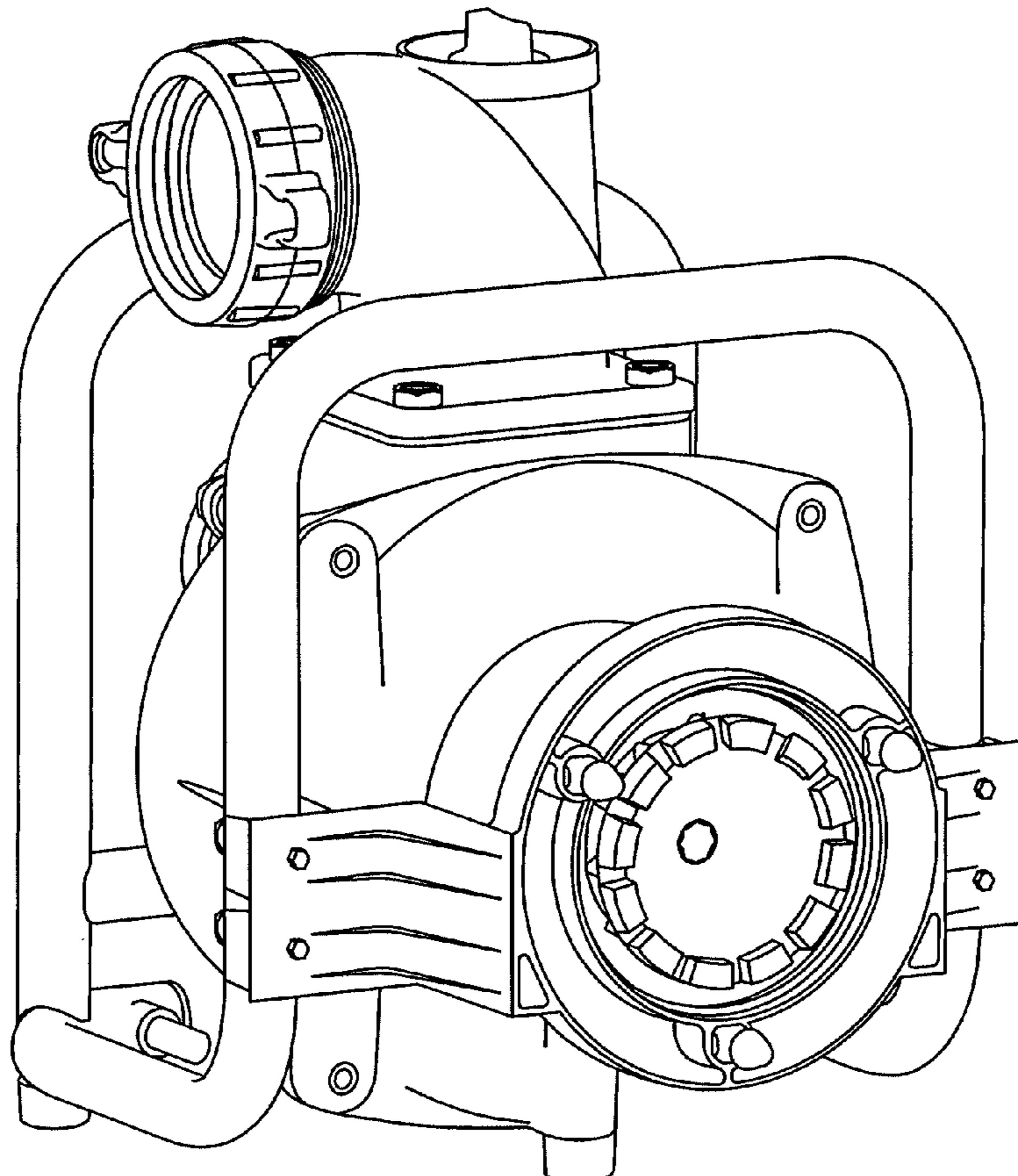
(57) **CLAIM**

The ornamental design for a water pump, as shown and described.

DESCRIPTION

FIG. 1 is a perspective view of a water pump of the present invention;
FIG. 2 is a view on one end thereof;
FIG. 3 is view on the other end thereof;
FIG. 4 is a view of one side thereof;
FIG. 5 is a view of the other side thereof;
FIG. 6 is a top plan view thereof; and,
FIG. 7 is an underneath plan view thereof.

1 Claim, 7 Drawing Sheets



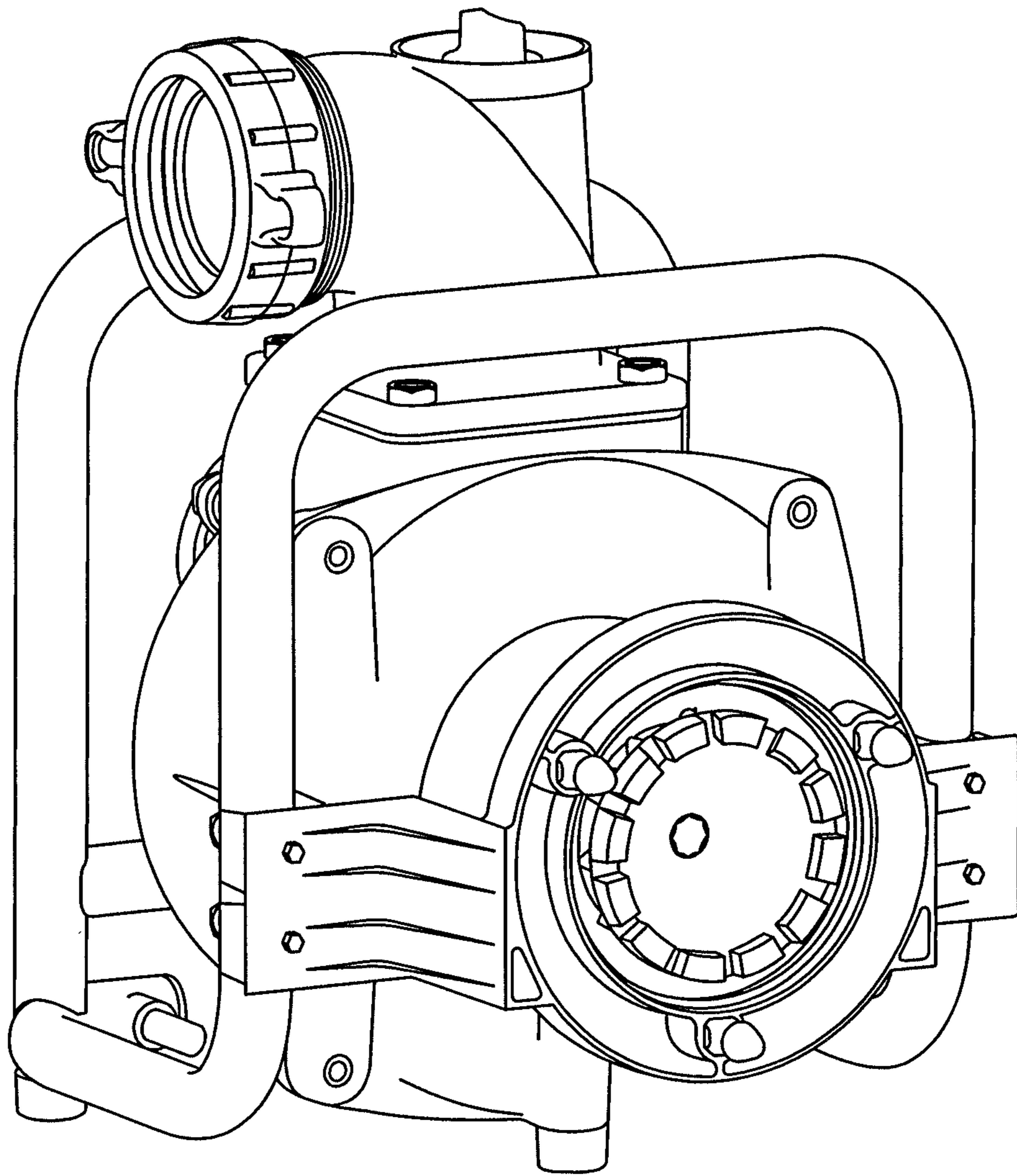


Fig. 1

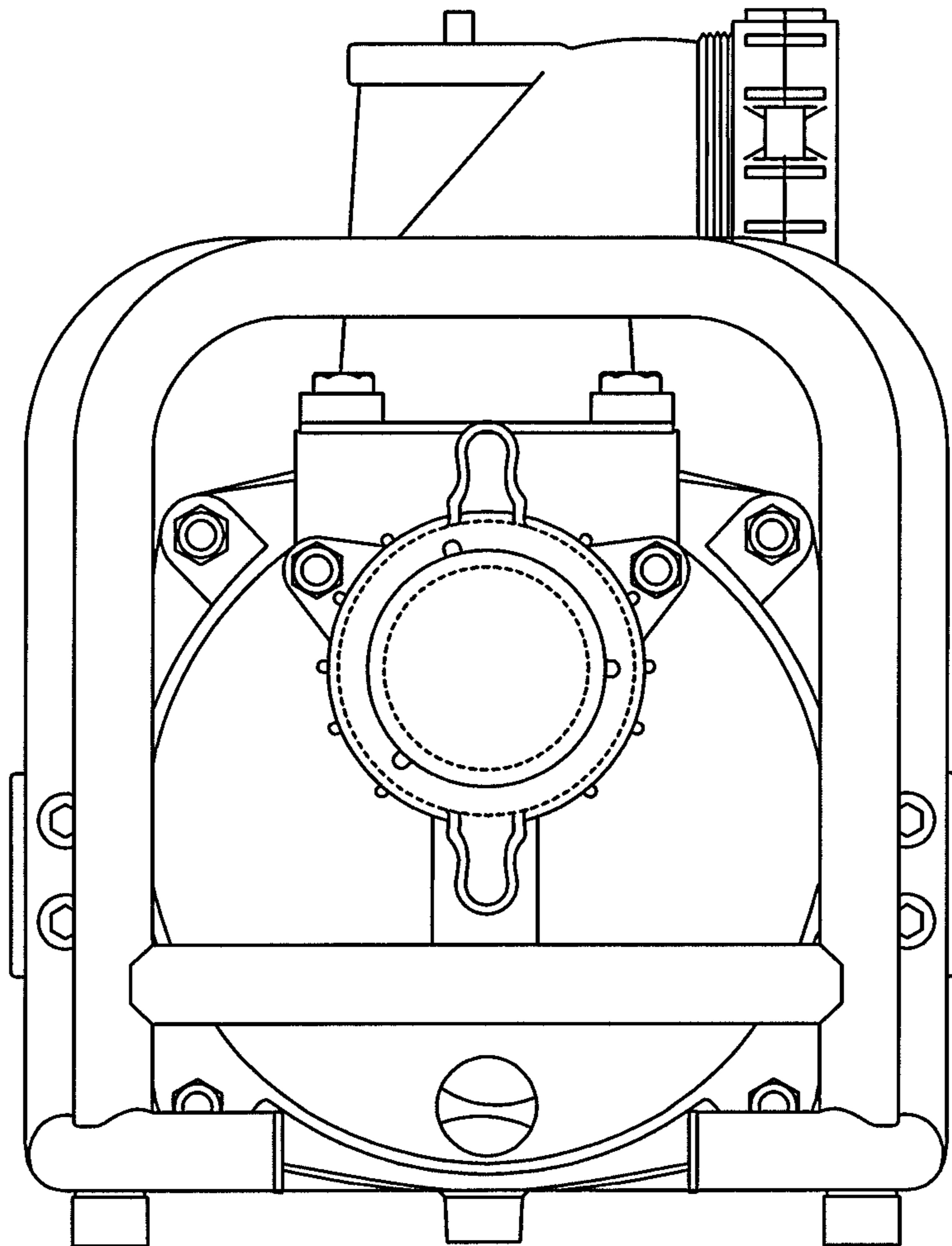


Fig. 2

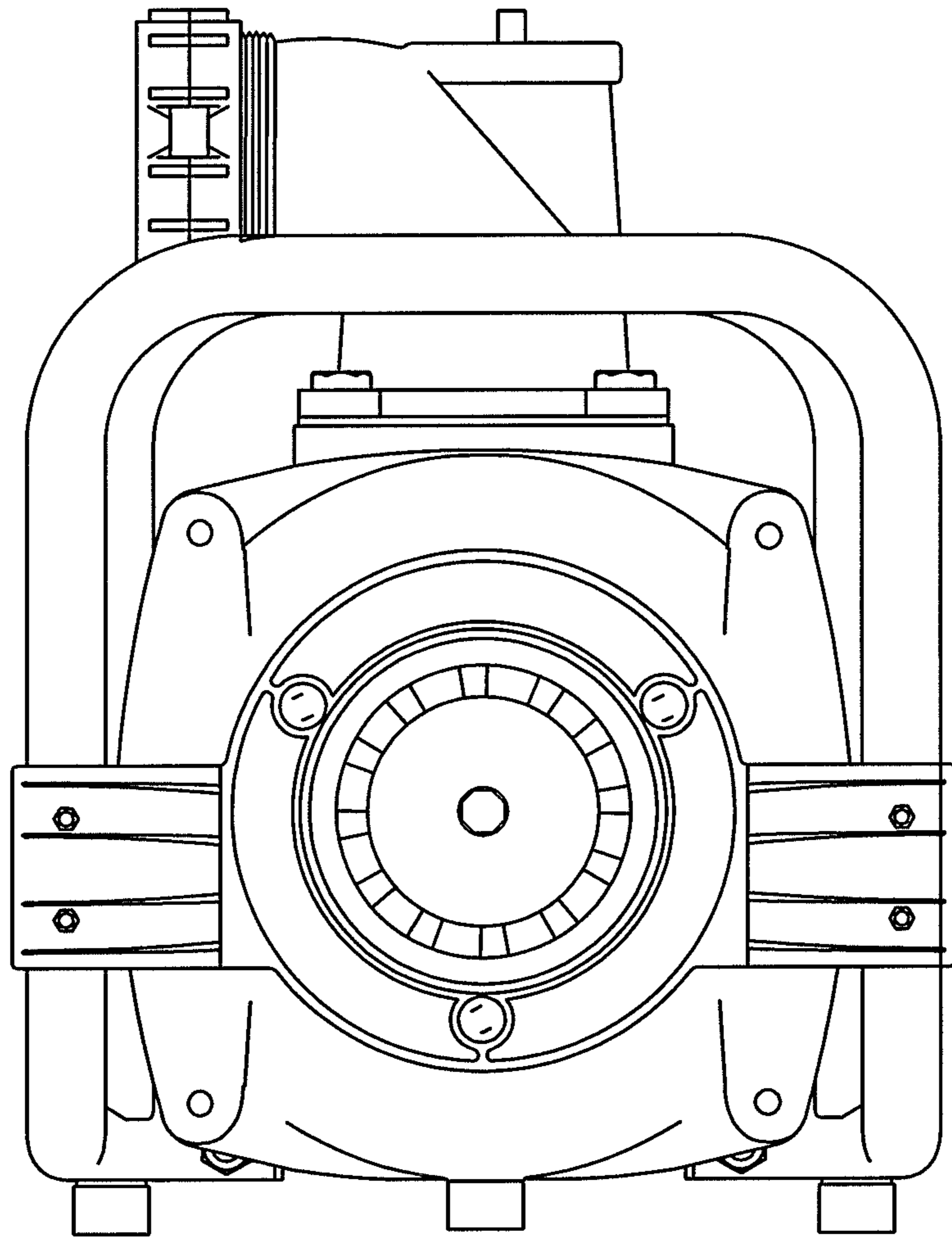


Fig. 3

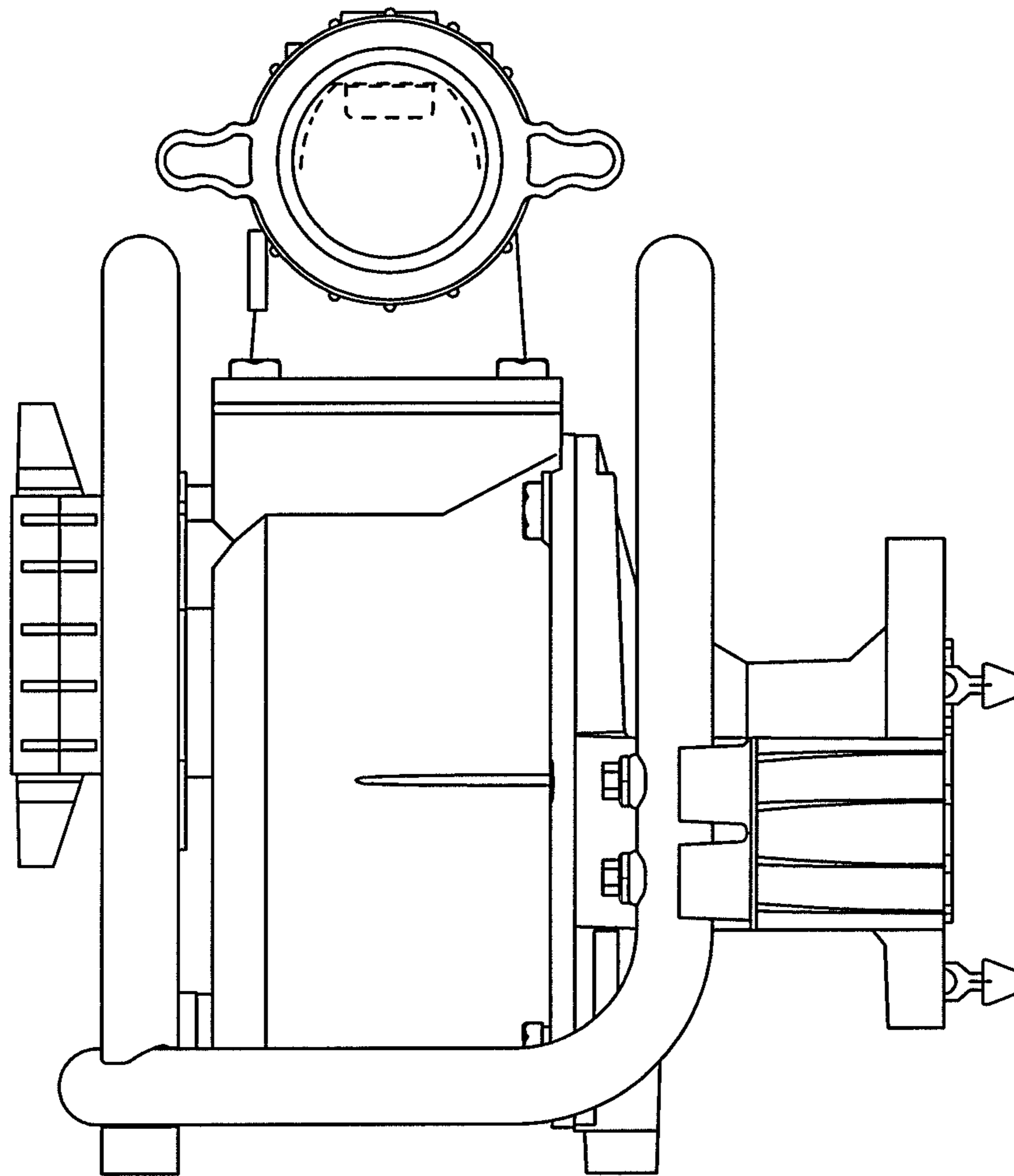


Fig. 4

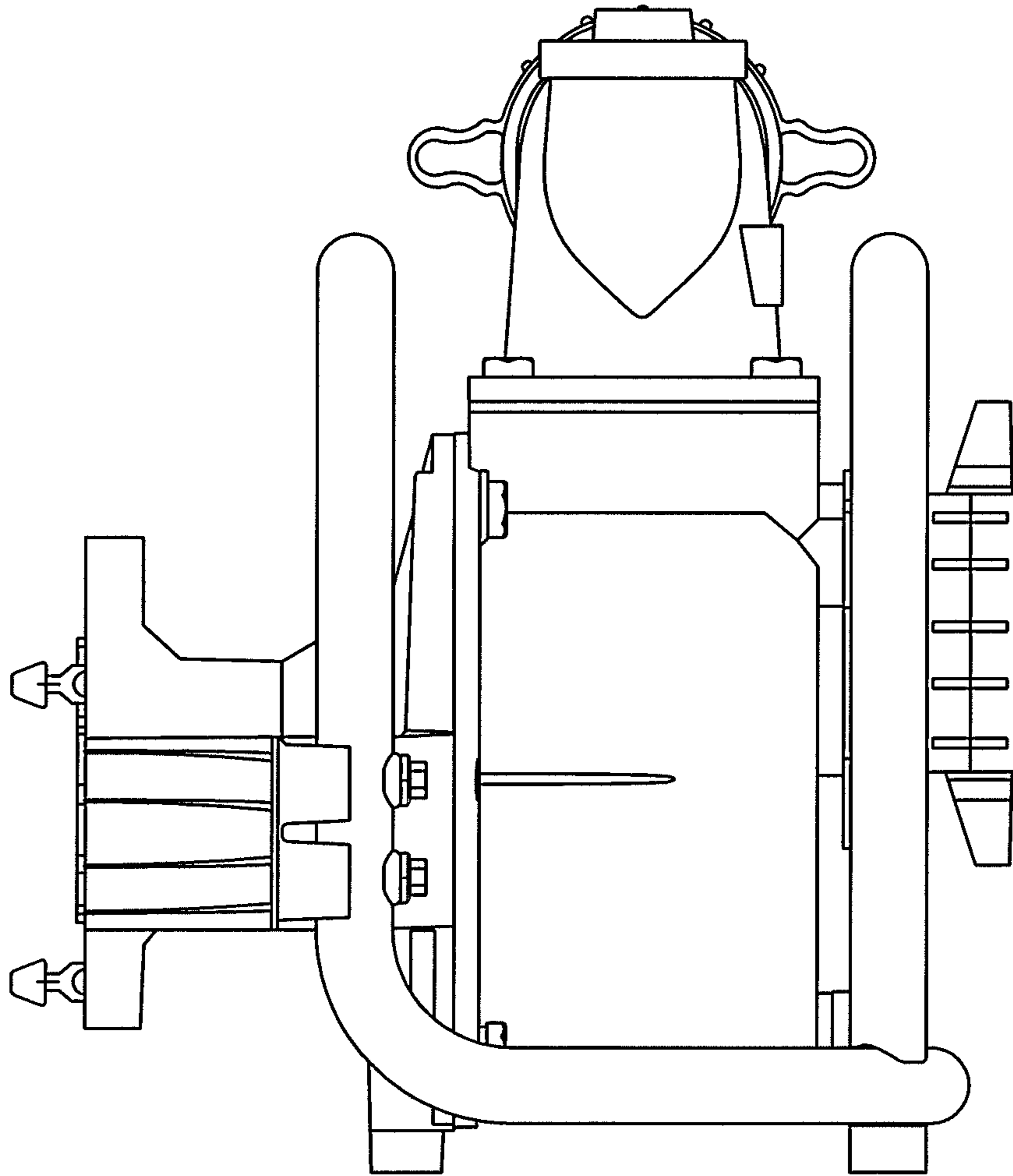


Fig. 5

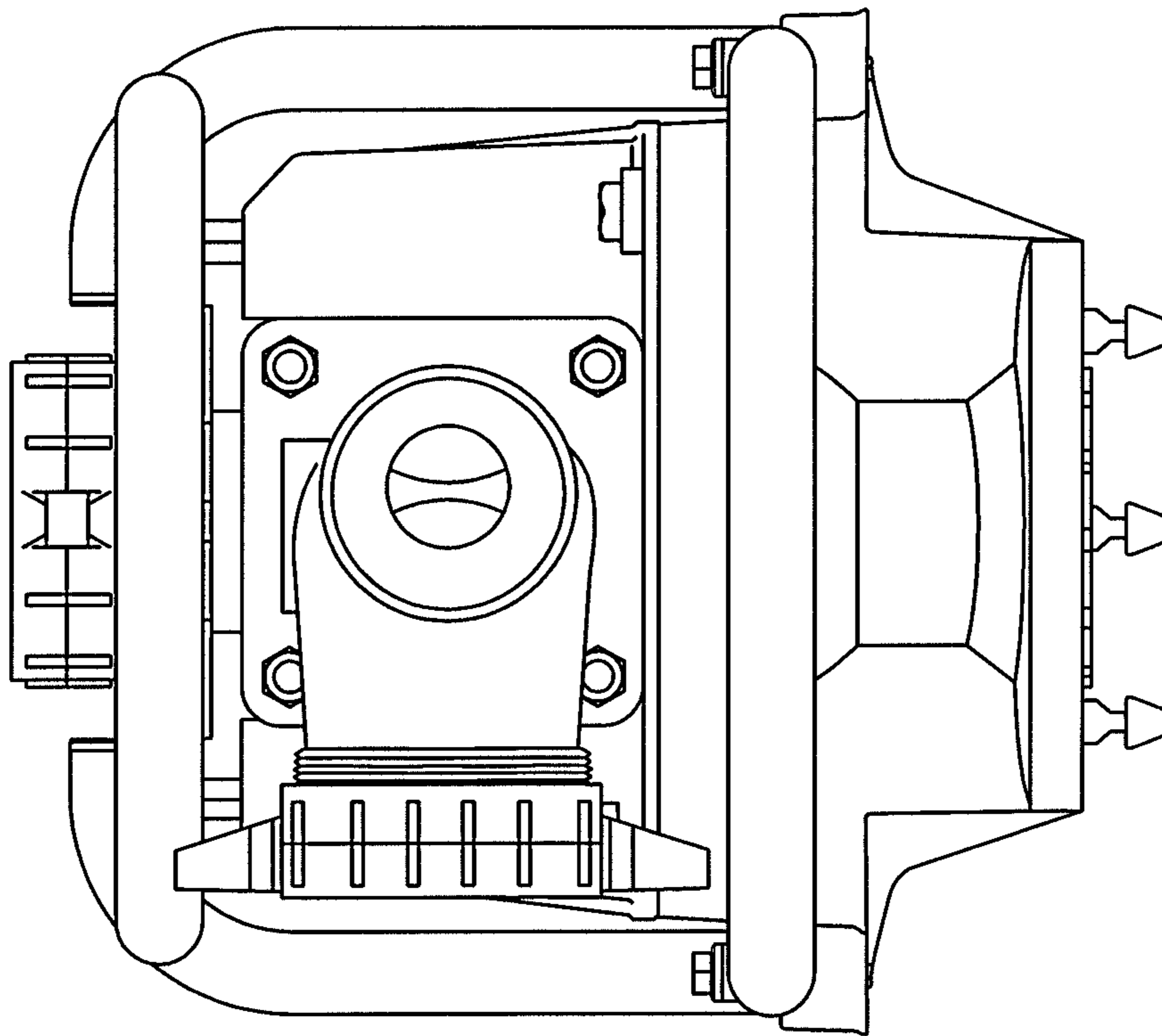


Fig. 6

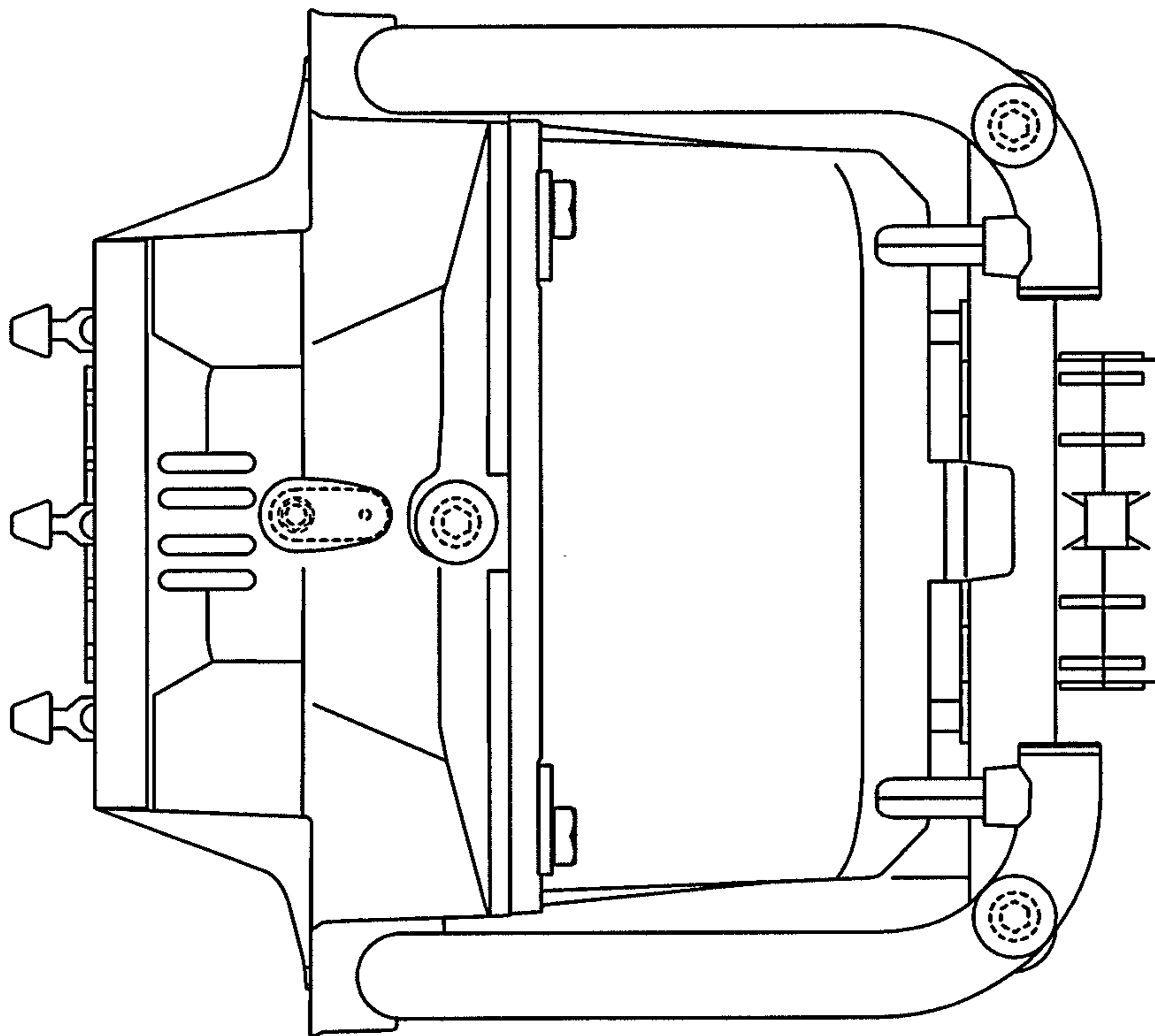


Fig. 7