



US00D698358S

(12) **United States Design Patent**
Beams

(10) **Patent No.:** **US D698,358 S**

(45) **Date of Patent:** **** Jan. 28, 2014**

(54) **HANDHELD CONTROLLER**

(75) **Inventor:** **Shane Beams**, Fallbrook, CA (US)

(73) **Assignee:** **Apem, Inc.**, Vista, CA (US)

(**) **Term:** **14 Years**

(21) **Appl. No.:** **29/420,053**

(22) **Filed:** **May 3, 2012**

(51) **LOC (10) Cl.** **14-02**

(52) **U.S. Cl.**
USPC **D14/412**

(58) **Field of Classification Search**
USPC D14/217, 218, 356, 388, 389, 400, 401,
D14/412-416, 432-434, 454, 496;
D21/324, 332, 333; D34/27, 35; 463/1,
463/30, 36-38, 46, 47; 345/156-161, 905;
D12/174, 178-180; D8/300, 303;
D15/138, 142; 74/489, 502.2, 523,
74/551.8, 551.9

See application file for complete search history.

(56) **References Cited**

U.S. PATENT DOCUMENTS

D340,042 S * 10/1993 Copper et al. D14/388
D406,126 S * 2/1999 Massieu et al. D14/428
D466,510 S * 12/2002 Yang D14/417

D473,560 S * 4/2003 Bianco D14/428
D542,802 S * 5/2007 Woodcock et al. D14/453
D568,882 S * 5/2008 Ashida et al. D14/400
D589,515 S * 3/2009 Brunner et al. D14/412
D594,067 S * 6/2009 Oikawa et al. D21/333
D607,515 S * 1/2010 Oikawa et al. D21/333
D611,477 S * 3/2010 Brunner et al. D14/412

* cited by examiner

Primary Examiner — Keli L Hill

(74) *Attorney, Agent, or Firm* — Pillsbury Winthrop Shaw Pittman LLP

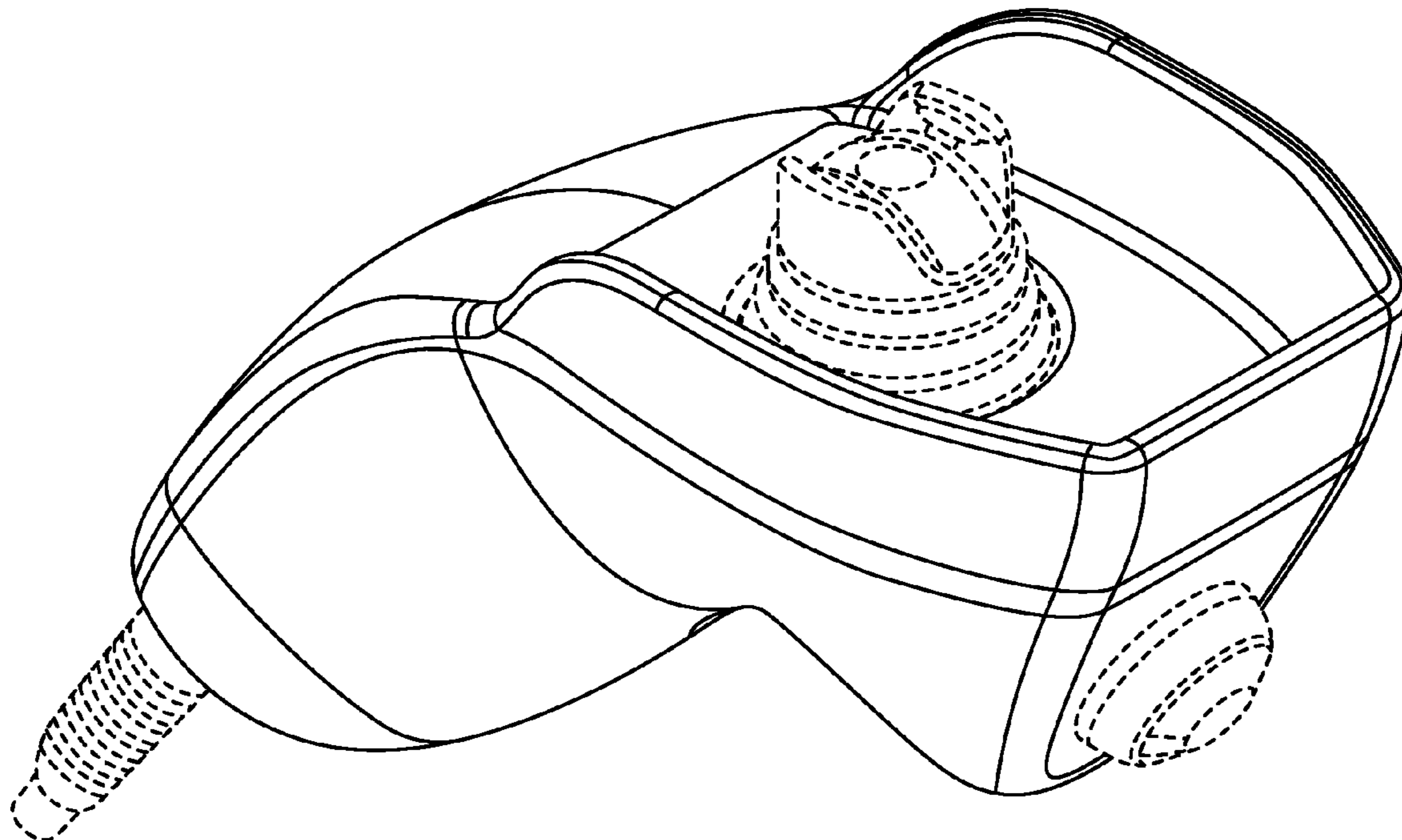
(57) **CLAIM**

The ornamental design for a handheld controller, as shown and described.

DESCRIPTION

FIG. 1 is a perspective view of the handheld controller showing my new design;
FIG. 2 is a top plan view thereof;
FIG. 3 is a bottom plan view thereof
FIG. 4 is a front elevation view thereof;
FIG. 5 is a rear elevation view thereof;
FIG. 6 is a right side elevation view thereof; and,
FIG. 7 is a left side elevation view thereof.
The broken lines shown are included for the purpose of illustrating portions of the handheld controller that form no part of the claim.

1 Claim, 7 Drawing Sheets



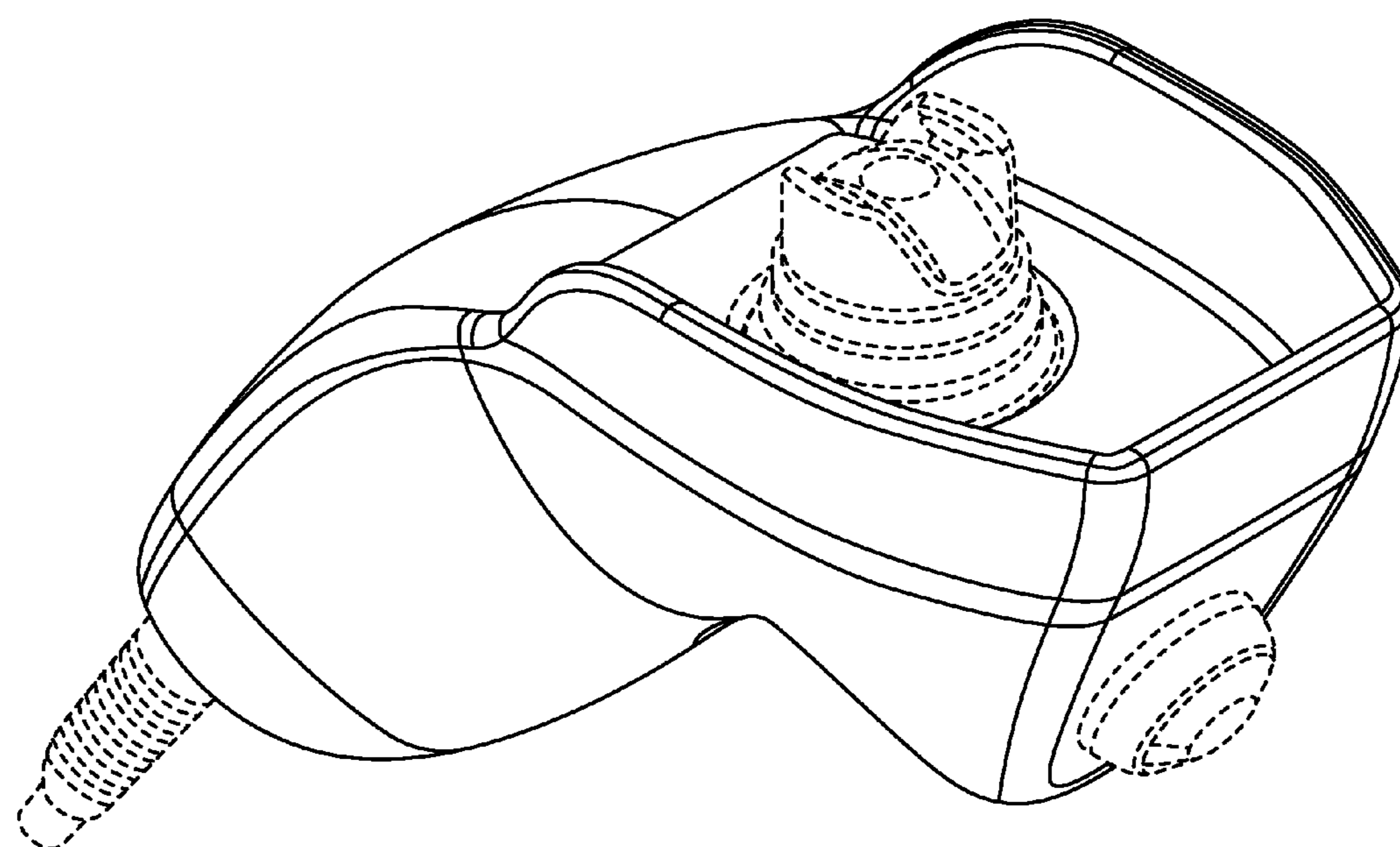


FIG. 1

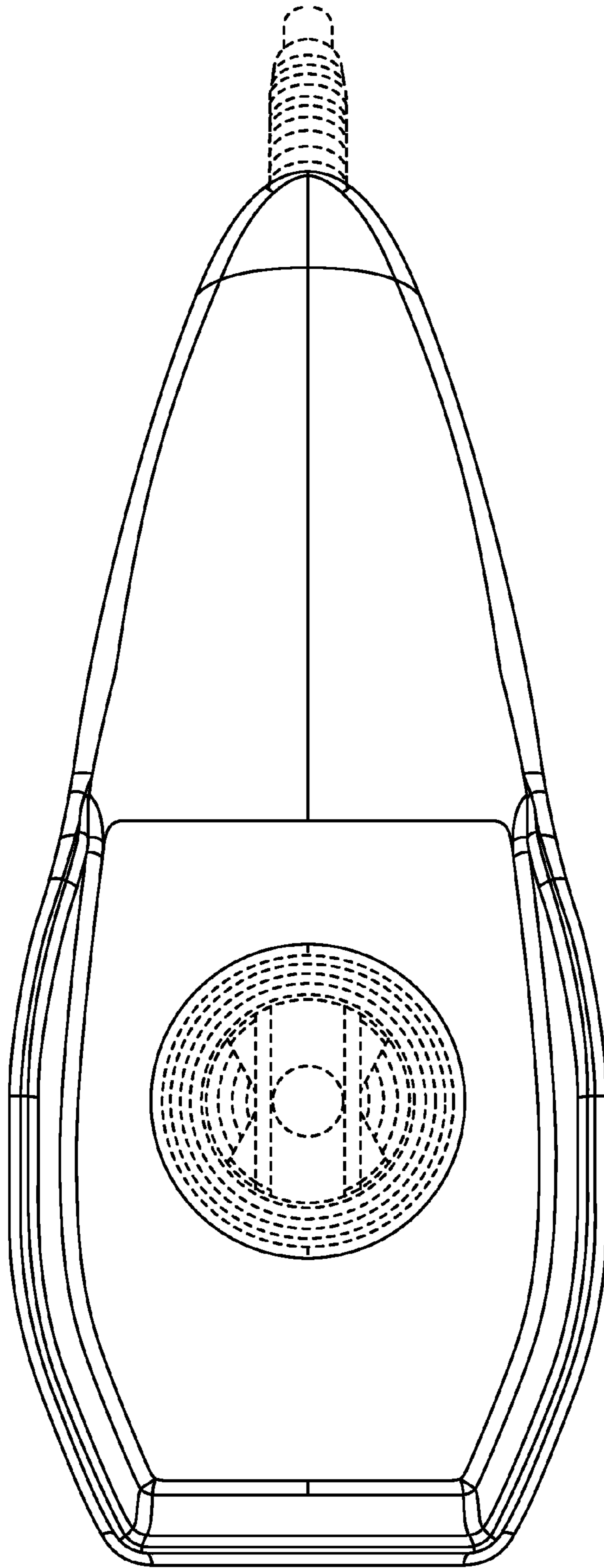


FIG. 2

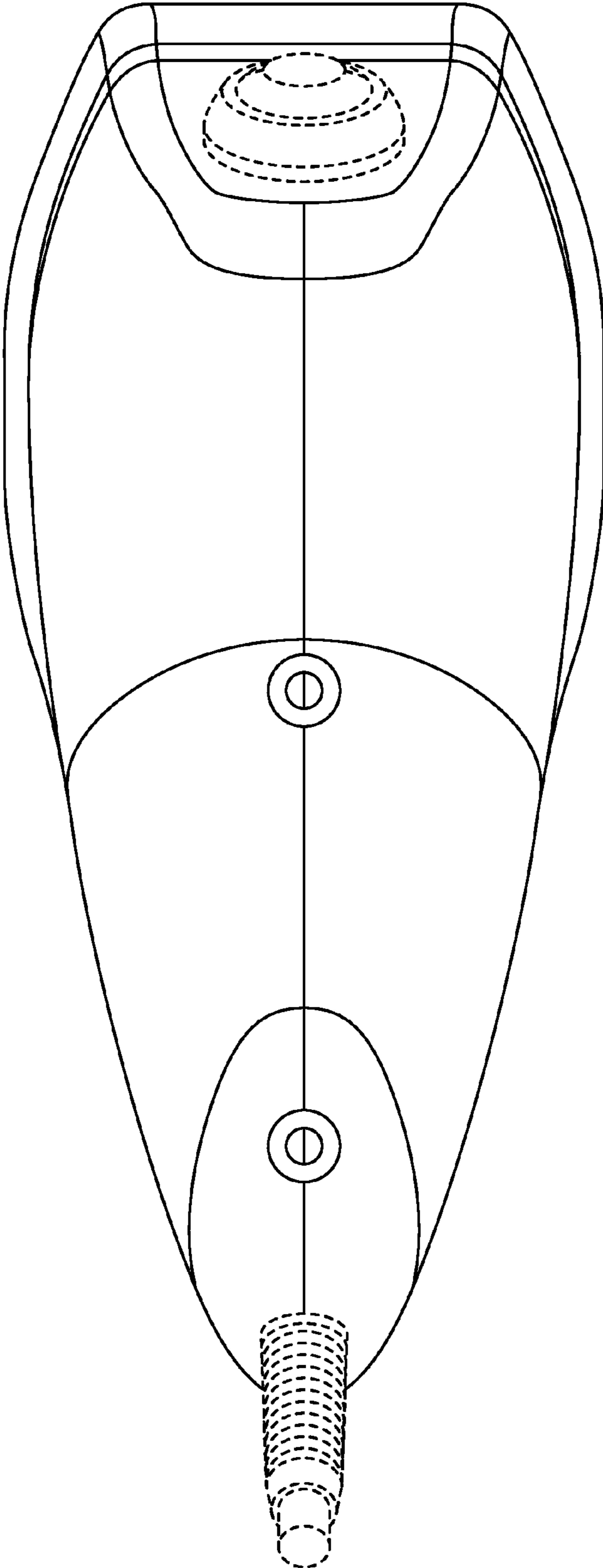


FIG. 3

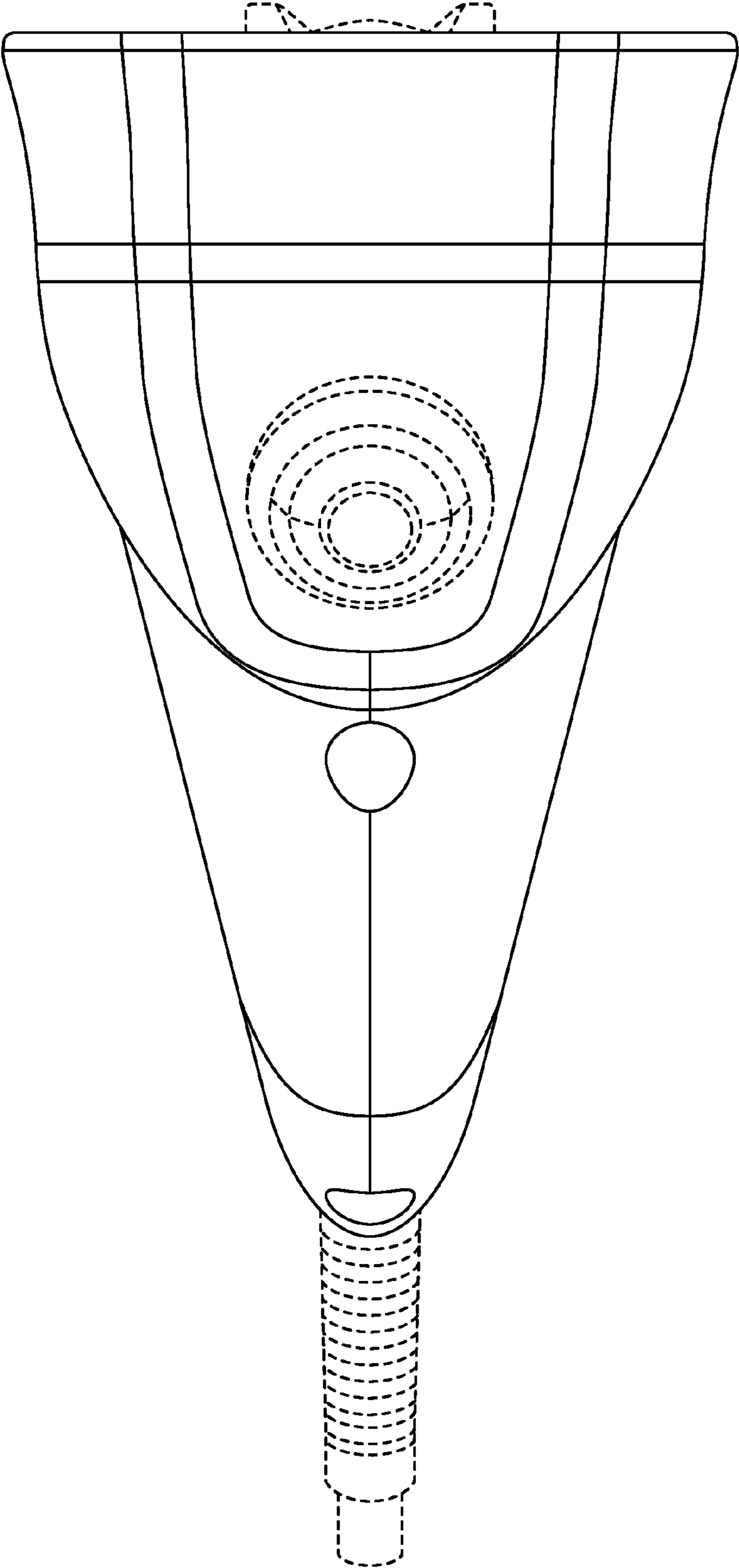


FIG. 4

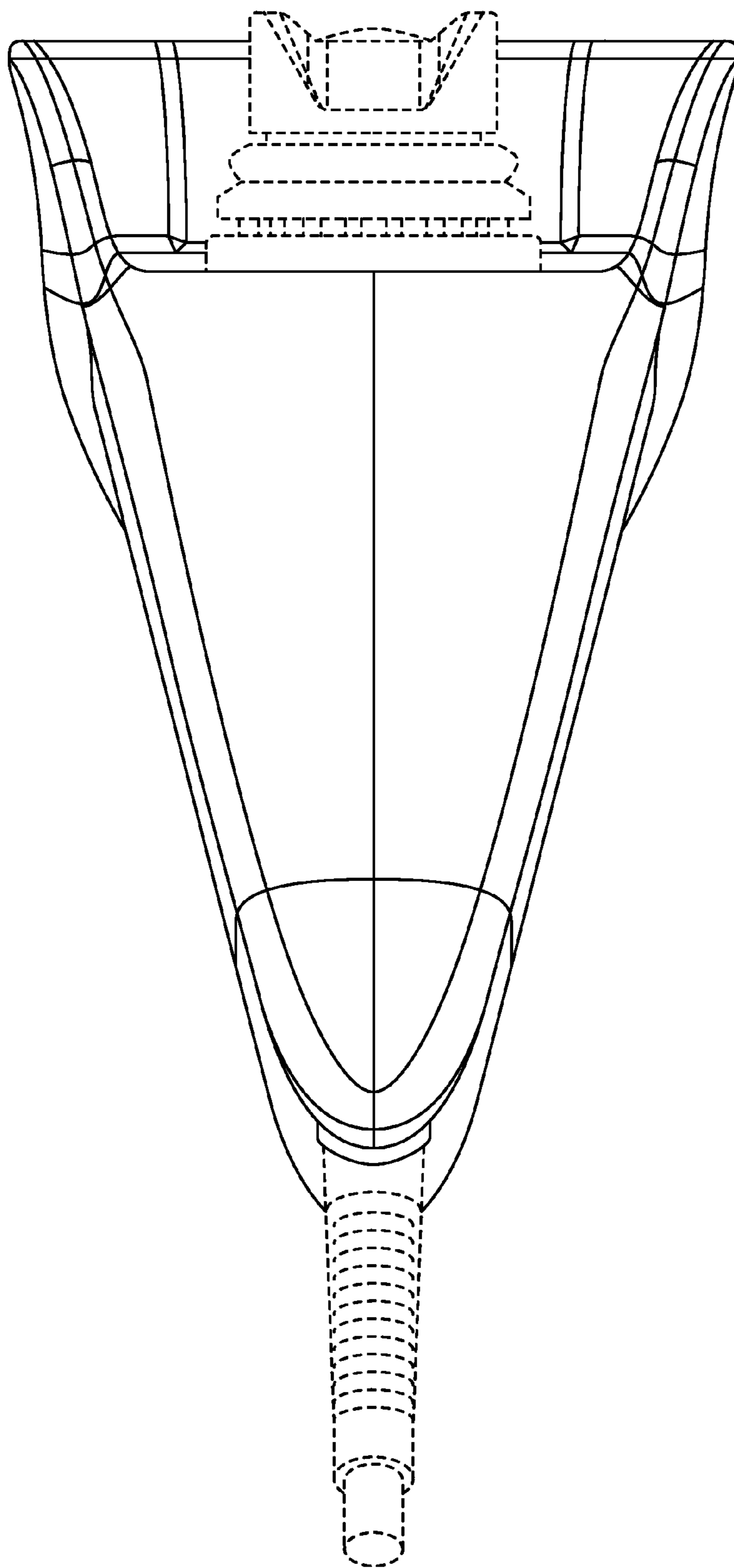


FIG. 5

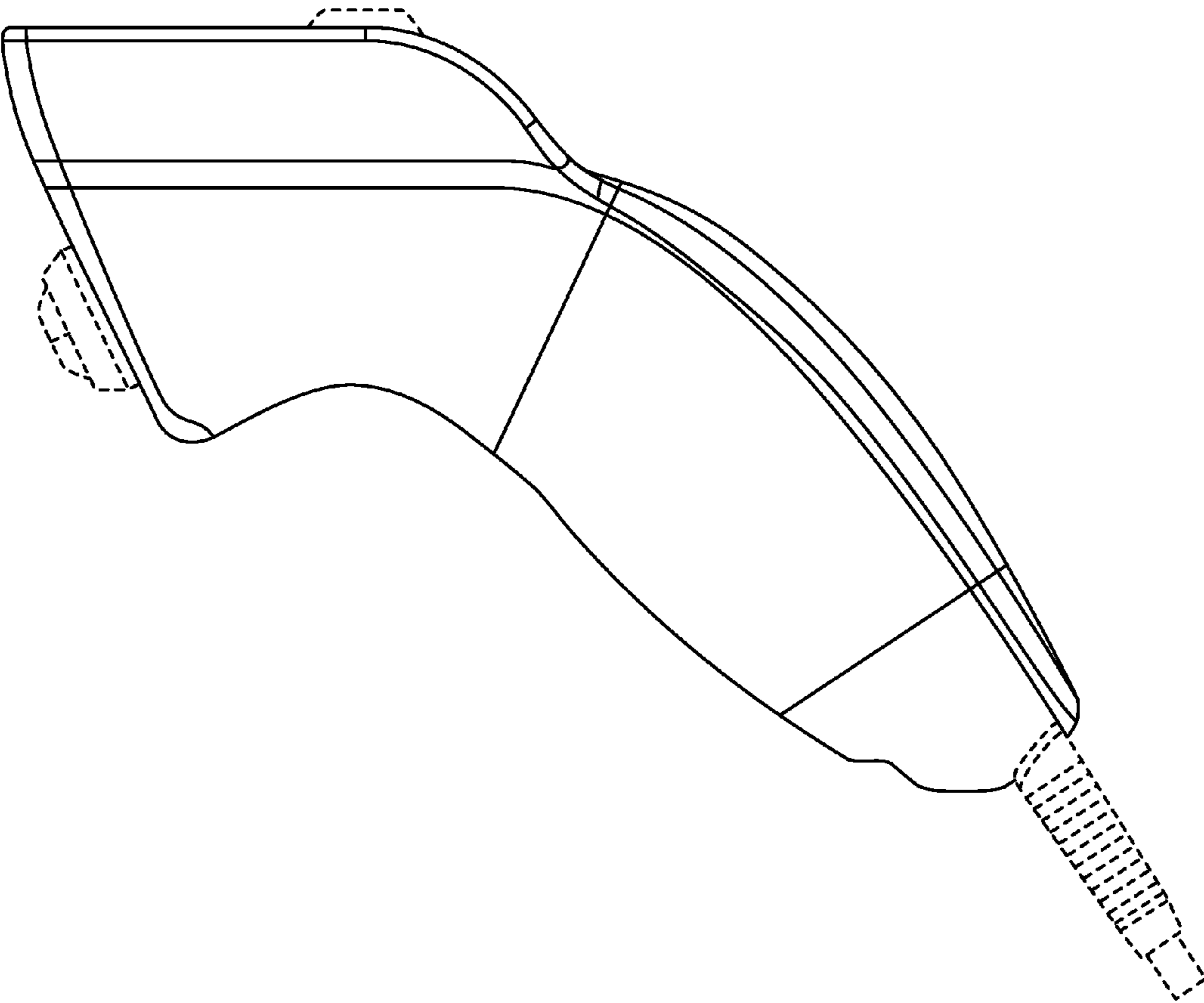


FIG. 6

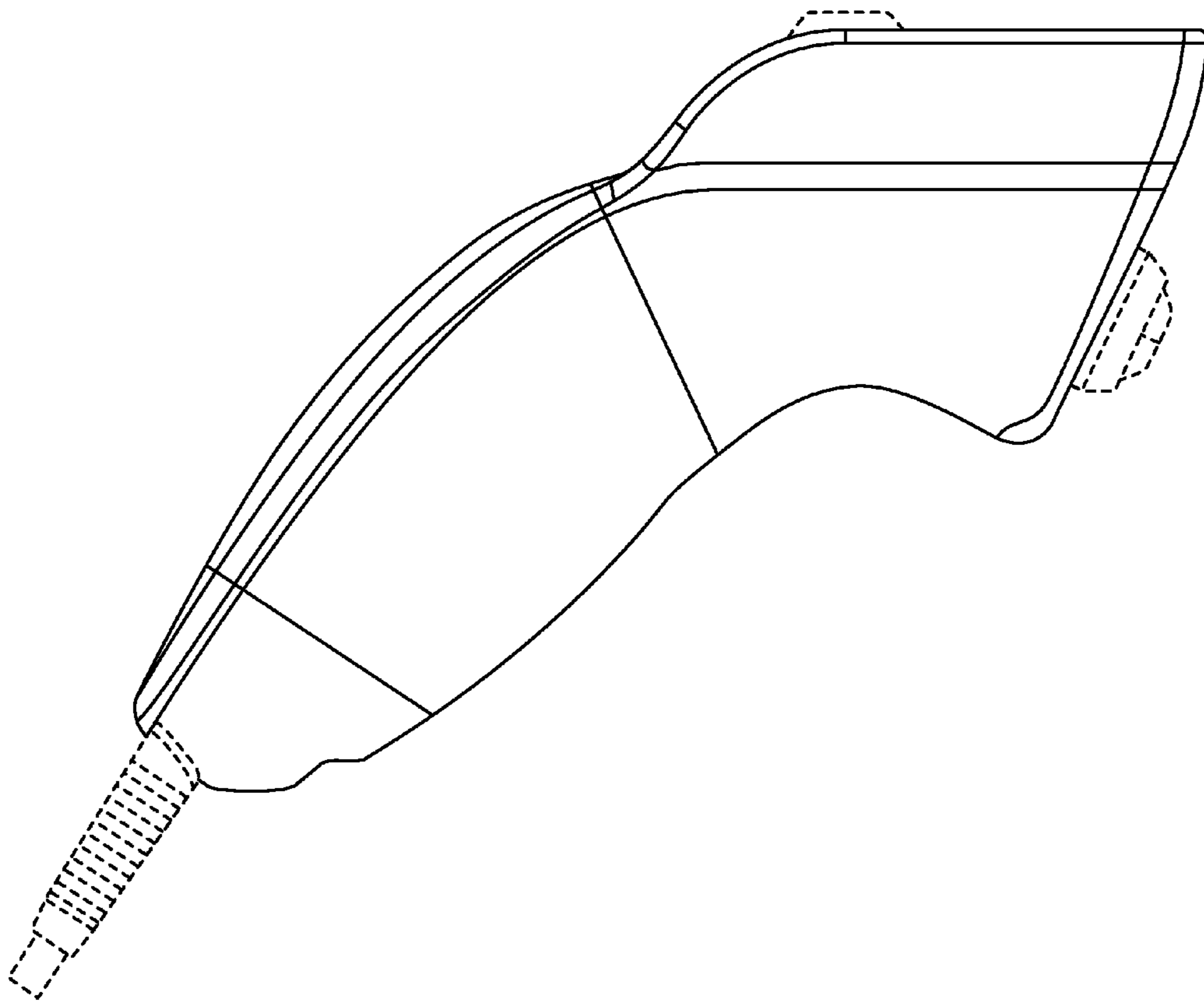


FIG. 7