

US00D698354S

(12) **United States Design Patent**
Mak

(10) **Patent No.:** **US D698,354 S**
(45) **Date of Patent:** **** Jan. 28, 2014**

(54) **ELECTRONIC DEVICE**
(75) Inventor: **Stephine Pui See Mak**, Sha Tin (HK)
(73) Assignee: **VTech Electronics, Ltd.**, Tai Po, New Territories (HK)
(**) Term: **14 Years**
(21) Appl. No.: **29/429,234**
(22) Filed: **Aug. 8, 2012**
(51) **LOC (10) Cl.** **14-02**
(52) **U.S. Cl.**
USPC **D14/341**
(58) **Field of Classification Search**
USPC D14/341-347, 137, 138 AA, 138 R, D14/138 C, 138 G, 496, 203.1, 203.3, 203.7, D14/426, 129, 130, 420, 147, 218, 247-248, D14/389, 388, 315-318; D10/65, 104.1; D18/6-7; D21/324, 329, 330; 455/556.1, 556.2, 566, 575.1, 90.3; 379/433.04, 433.01, 433.06, 916; 345/173, 901, 905; 361/679.26, 361/679.27, 679.3, 679.55, 679.56, 361/680-686; 248/917-924; 348/373, 376; D19/60
See application file for complete search history.

D505,950 S * 6/2005 Summit et al. D14/341
D519,394 S * 4/2006 DiPasquale D10/106.1
D539,354 S * 3/2007 Mak D21/329
D558,755 S * 1/2008 Tanaka D14/341
D620,933 S * 8/2010 Ludlum et al. D14/371
D623,186 S * 9/2010 Ludlum et al. D14/371
D645,041 S * 9/2011 Morton et al. D14/341
D646,726 S * 10/2011 Avery D21/329
D648,721 S * 11/2011 Wong et al. D14/345
D674,386 S * 1/2013 Mak D14/341
2012/0162098 A1 * 6/2012 Aboud et al. 345/173

* cited by examiner

Primary Examiner — Barbara Fox
(74) *Attorney, Agent, or Firm* — McAndrews Held & Malloy, Ltd.

(57) **CLAIM**
The ornamental design for an electronic device, as shown and described.

DESCRIPTION

FIG. 1 is a front, right, bottom perspective view of my new design for an electronic device;
FIG. 2 is a front elevation view thereof;
FIG. 3 is a rear elevation view thereof;
FIG. 4 is a right side elevation view thereof;
FIG. 5 is a left side elevation view thereof;
FIG. 6 is a top plan view thereof;
FIG. 7 is a bottom plan view thereof; and,
FIG. 8 is a rear, right, bottom perspective view thereof.
The broken lines illustrate portions of the electronic device and form no part of the claimed design.

(56) **References Cited**
U.S. PATENT DOCUMENTS
D453,536 S * 2/2002 Ota et al. D21/329
D502,945 S * 3/2005 Huang et al. D14/341

1 Claim, 6 Drawing Sheets

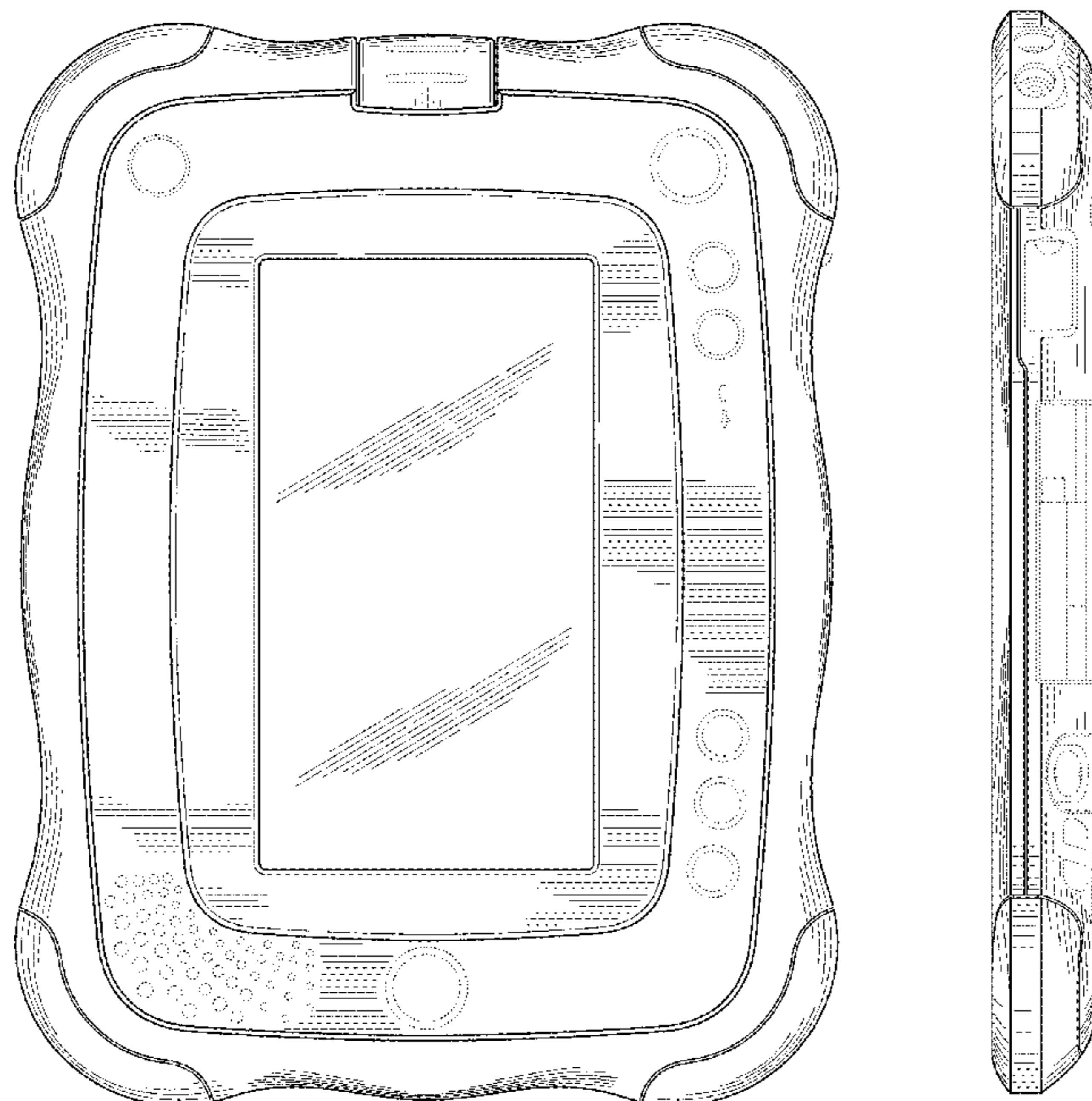




FIG. 1

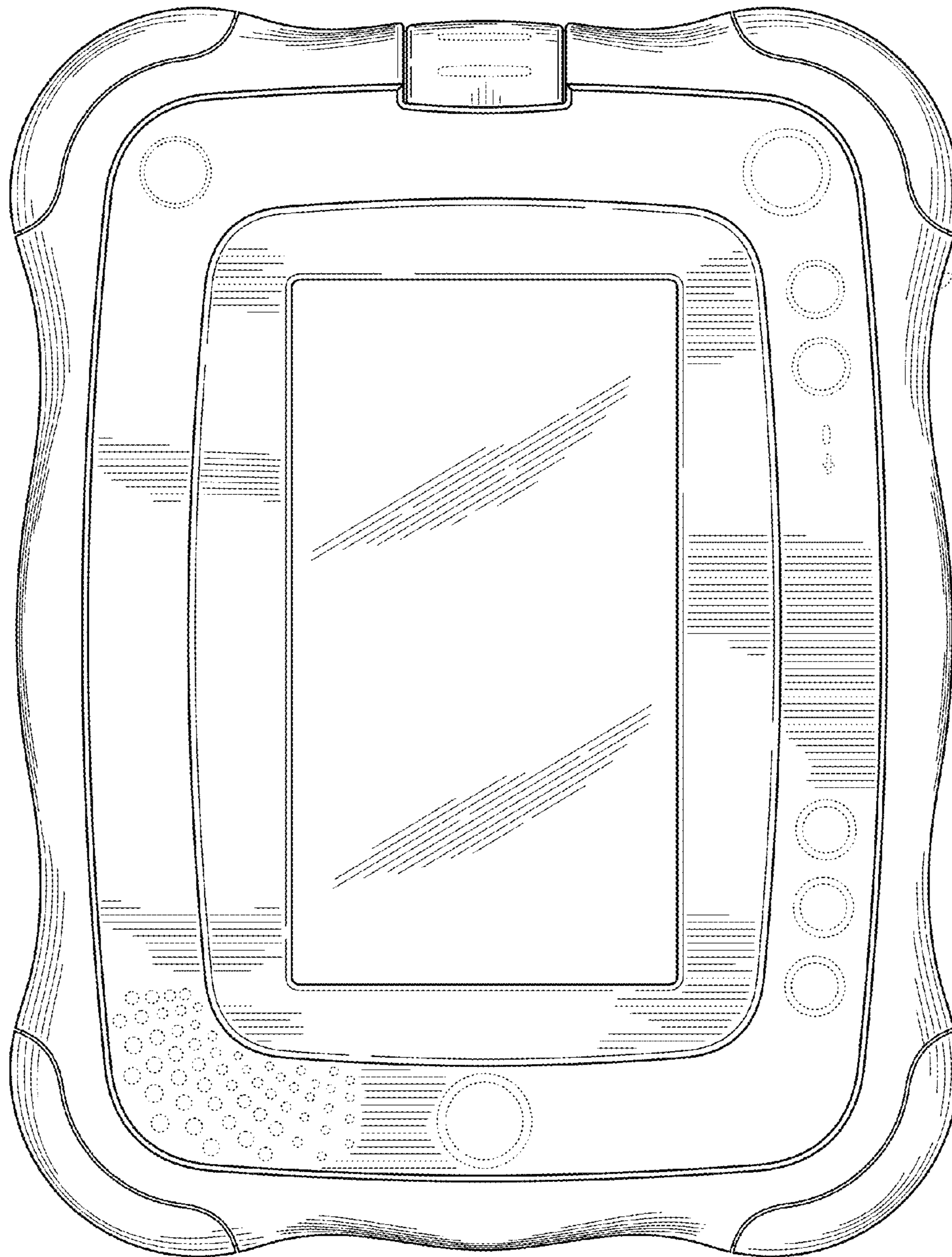


FIG. 2

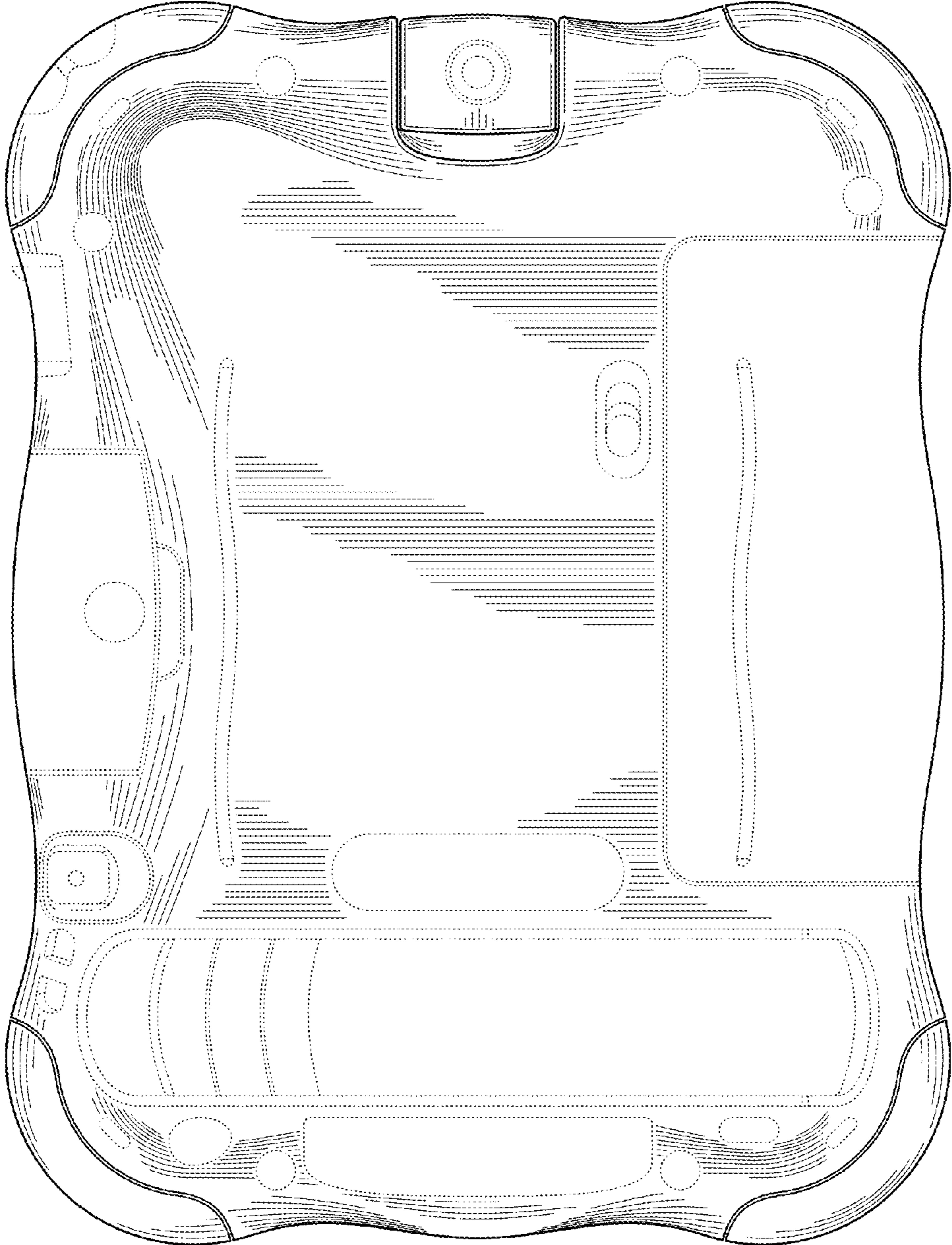


FIG. 3

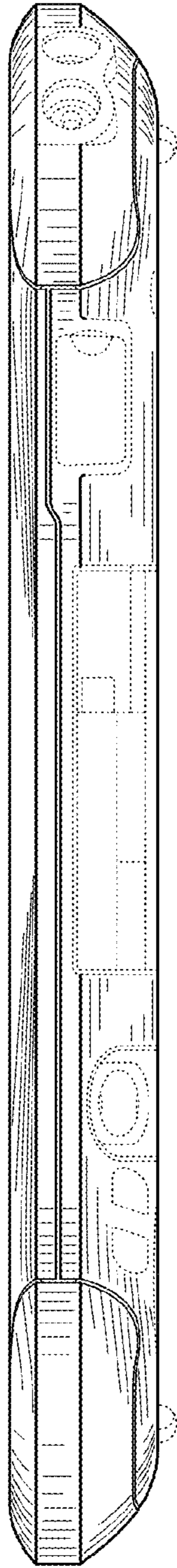


FIG. 4

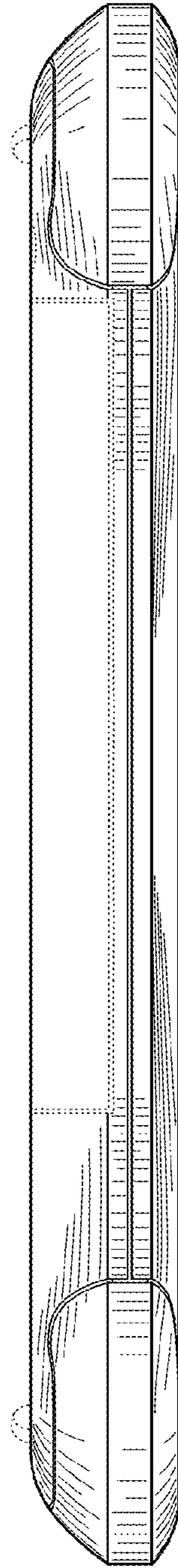


FIG. 5

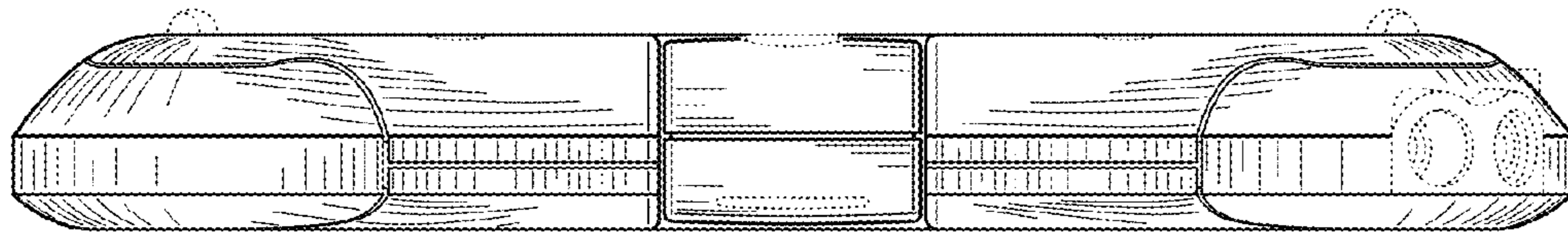


FIG. 6

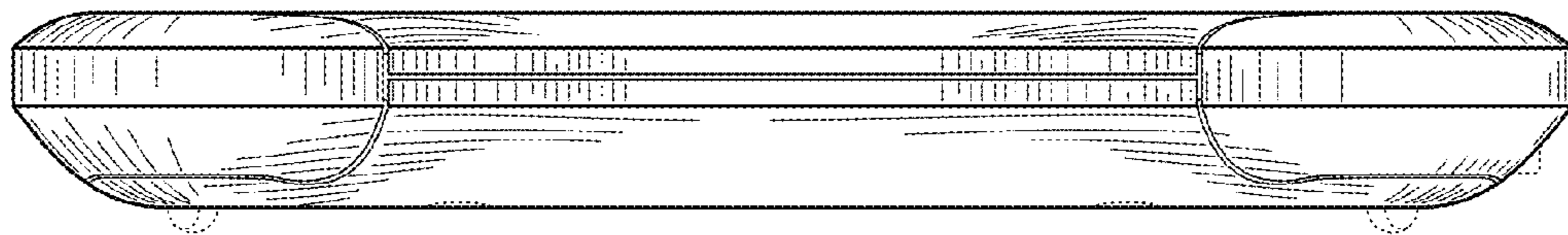


FIG. 7



FIG. 8