



US00D698351S

(12) **United States Design Patent**
Jasinski et al.

(10) **Patent No.:** **US D698,351 S**

(45) **Date of Patent:** **** Jan. 28, 2014**

(54) **INFORMATION HANDLING SYSTEM**

(71) Applicant: **Dell Products L.P.**, Round Rock, TX
(US)

(72) Inventors: **Joseph E Jasinski**, Austin, TX (US);
Michael H Morton, Austin, TX (US);
Edward L. Boyd, Austin, TX (US);
Scott H. Wilson, Chicago, IL (US);
Dennis M Puhalla, Chicago, IL (US)

(73) Assignee: **Dell Products L.P.**, Round Rock, TX
(US)

(**) Term: **14 Years**

(21) Appl. No.: **29/439,508**

(22) Filed: **Dec. 12, 2012**

(51) **LOC (10) Cl.** **14-02**

(52) **U.S. Cl.**
USPC **D14/336; D14/374**

(58) **Field of Classification Search**
USPC D14/371-375, 125-129, 336, 337;
341/12; 345/104, 156, 168, 173;
348/180, 184, 325, 739; 349/1, 2, 11,
349/62; 361/679.05-679.07, 679.21;
D6/300, 308

See application file for complete search history.

(56) **References Cited**

U.S. PATENT DOCUMENTS

D458,927	S	*	6/2002	Wang et al.	D14/375
D556,755	S	*	12/2007	Lee et al.	D14/375
7,336,478	B2	*	2/2008	Jang	361/679.27
D570,841	S	*	6/2008	Kim et al.	D14/375
D592,621	S	*	5/2009	Han	D14/126
D600,696	S	*	9/2009	Andre et al.	D14/371
D648,336	S	*	11/2011	Yagi	D14/374
2005/0041379	A1	*	2/2005	Jang	361/681
2006/0237599	A1	*	10/2006	Ternus et al.	248/176.1

* cited by examiner

Primary Examiner — Freda S Nunn

(74) *Attorney, Agent, or Firm* — Terrile, Cannatti, Chambers
& Holland, LLP; Stephen A. Terrile

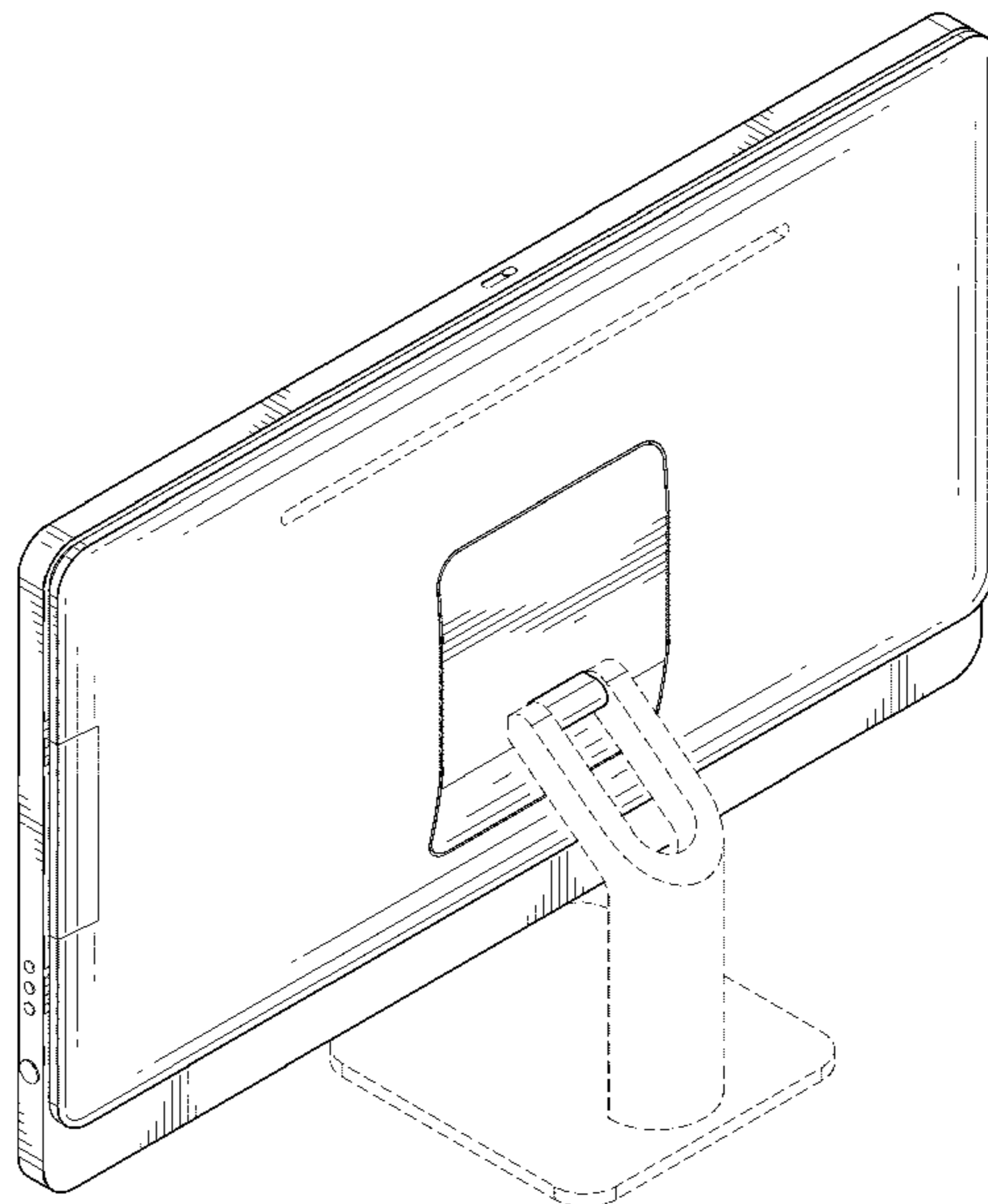
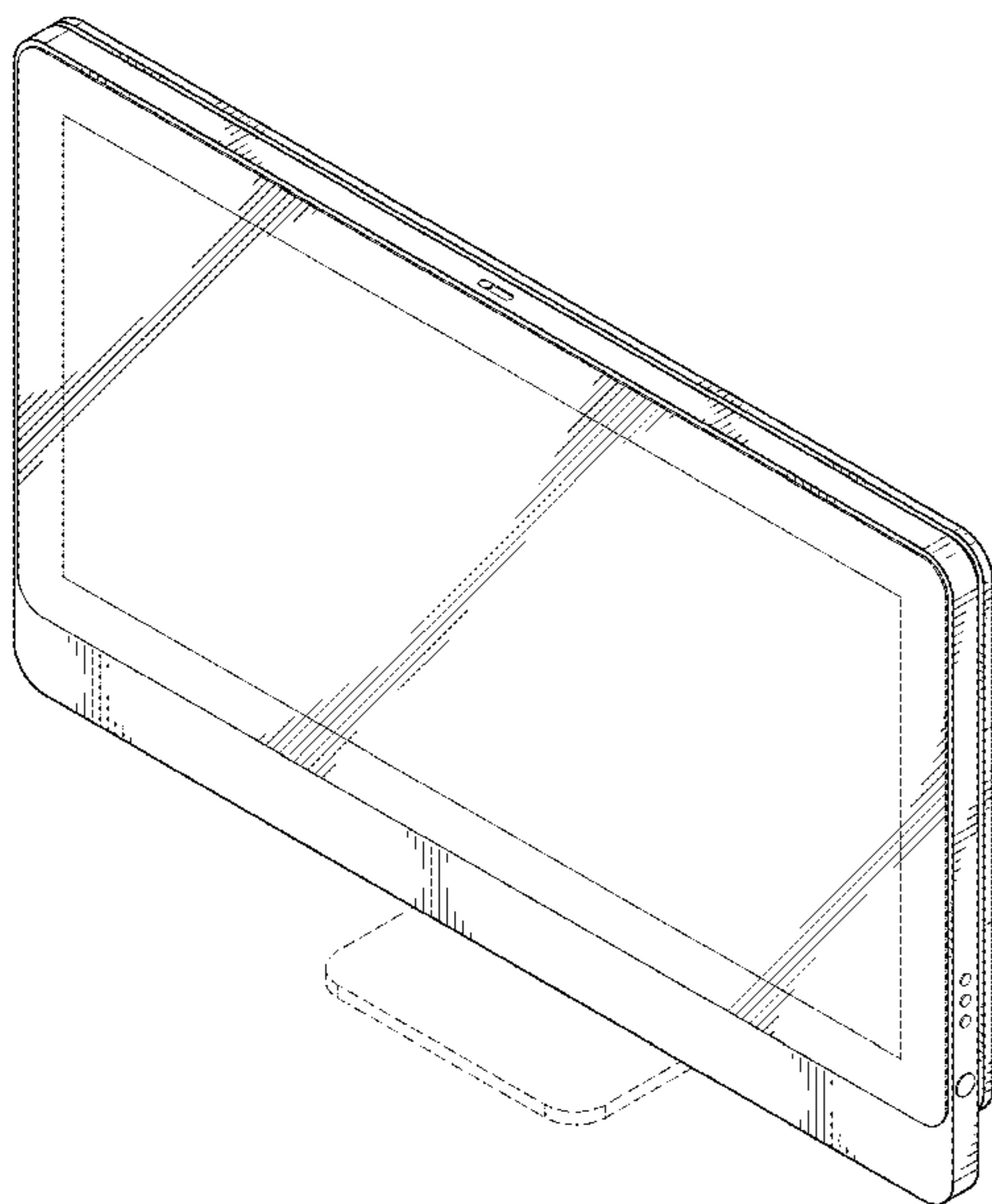
(57) **CLAIM**

The ornamental design for an information handling system,
as shown and described.

DESCRIPTION

FIG. 1 is a front perspective view of the information handling system;
FIG. 2 is a front view thereof;
FIG. 3 is a rear view thereof;
FIG. 4 is a left side view thereof;
FIG. 5 is a right side view thereof;
FIG. 6 is a top view thereof;
FIG. 7 is a bottom view thereof; and,
FIG. 8 is a rear perspective view thereof.
Broken lines are shown for environment only and form no part of the claimed design.

1 Claim, 6 Drawing Sheets



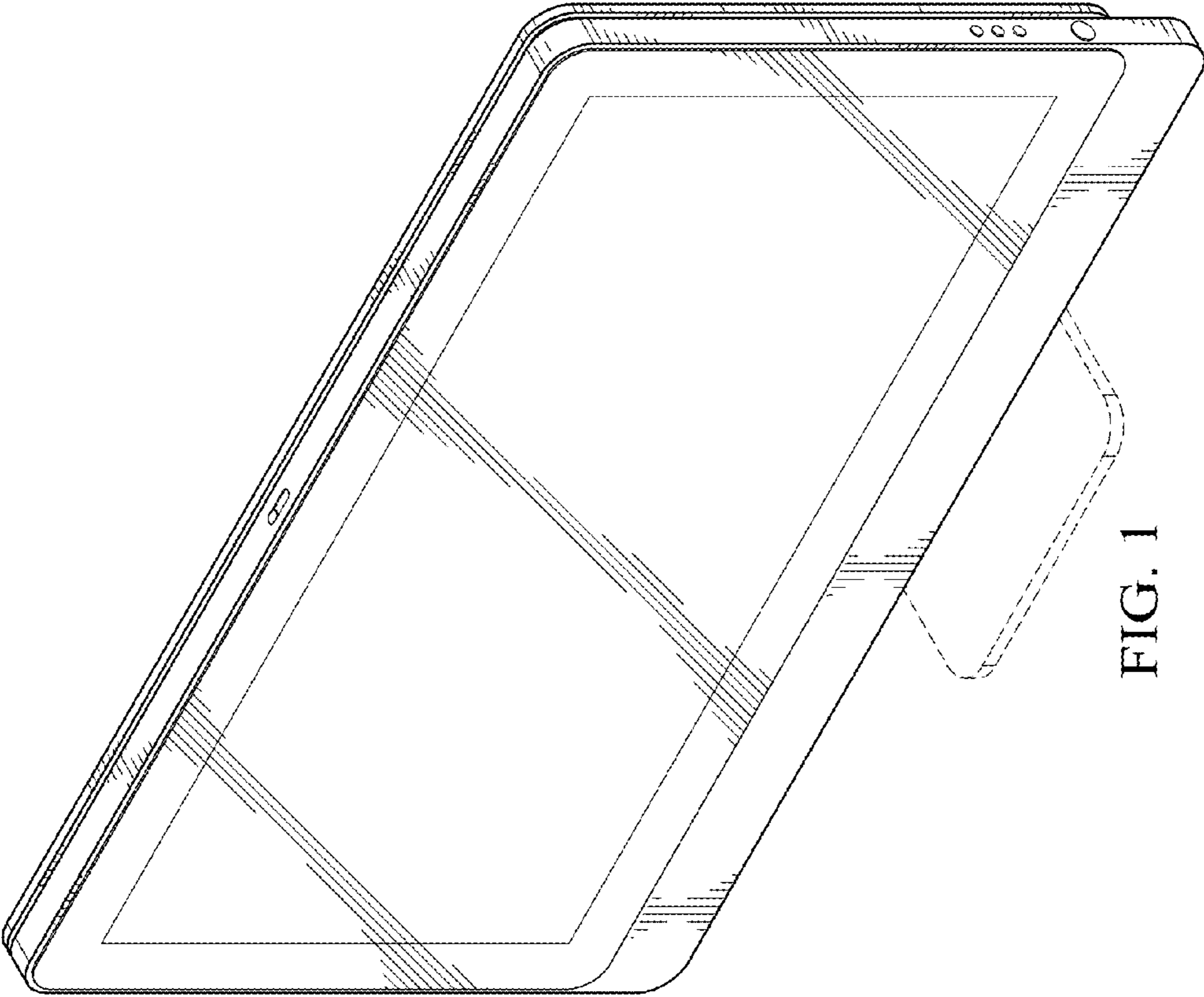


FIG. 1

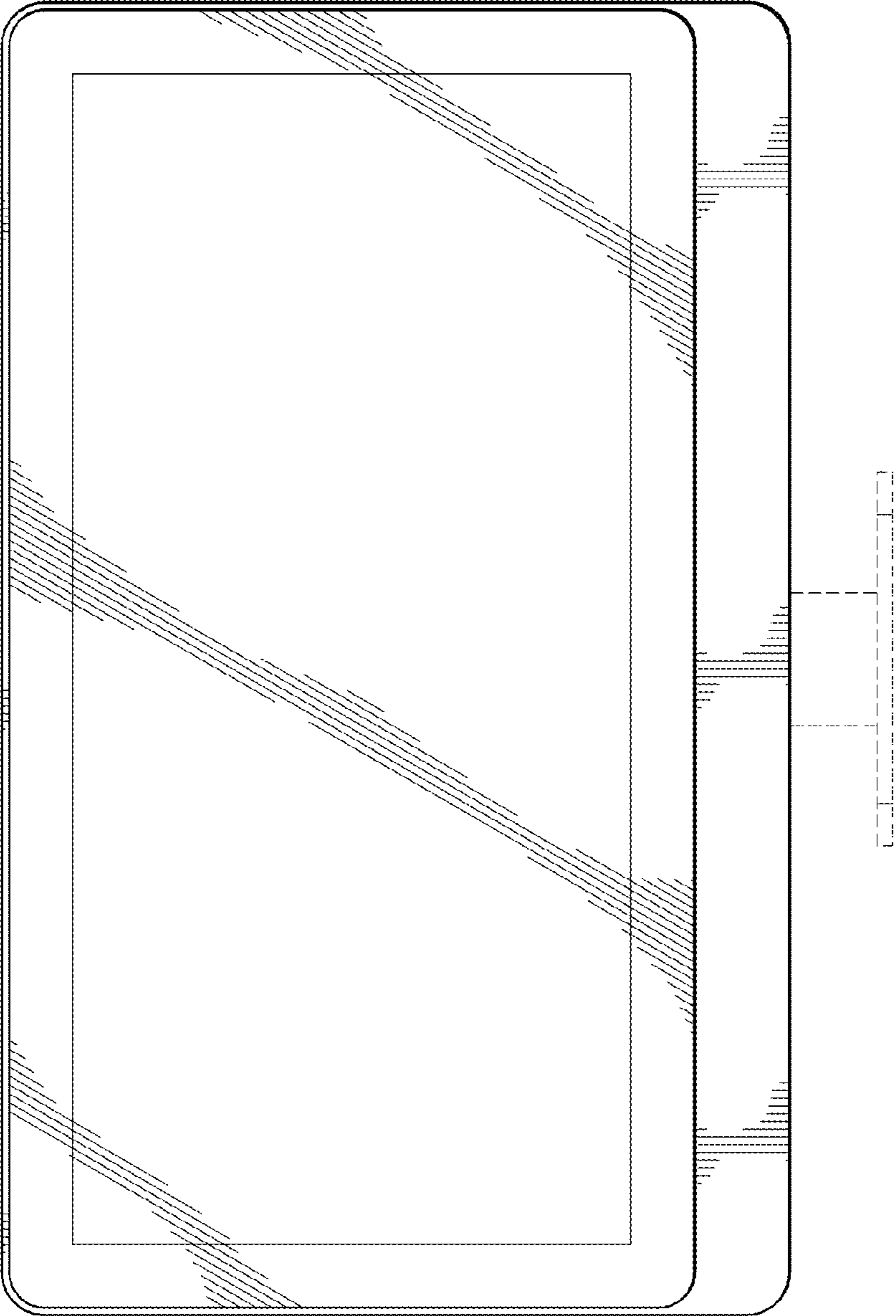


FIG. 2

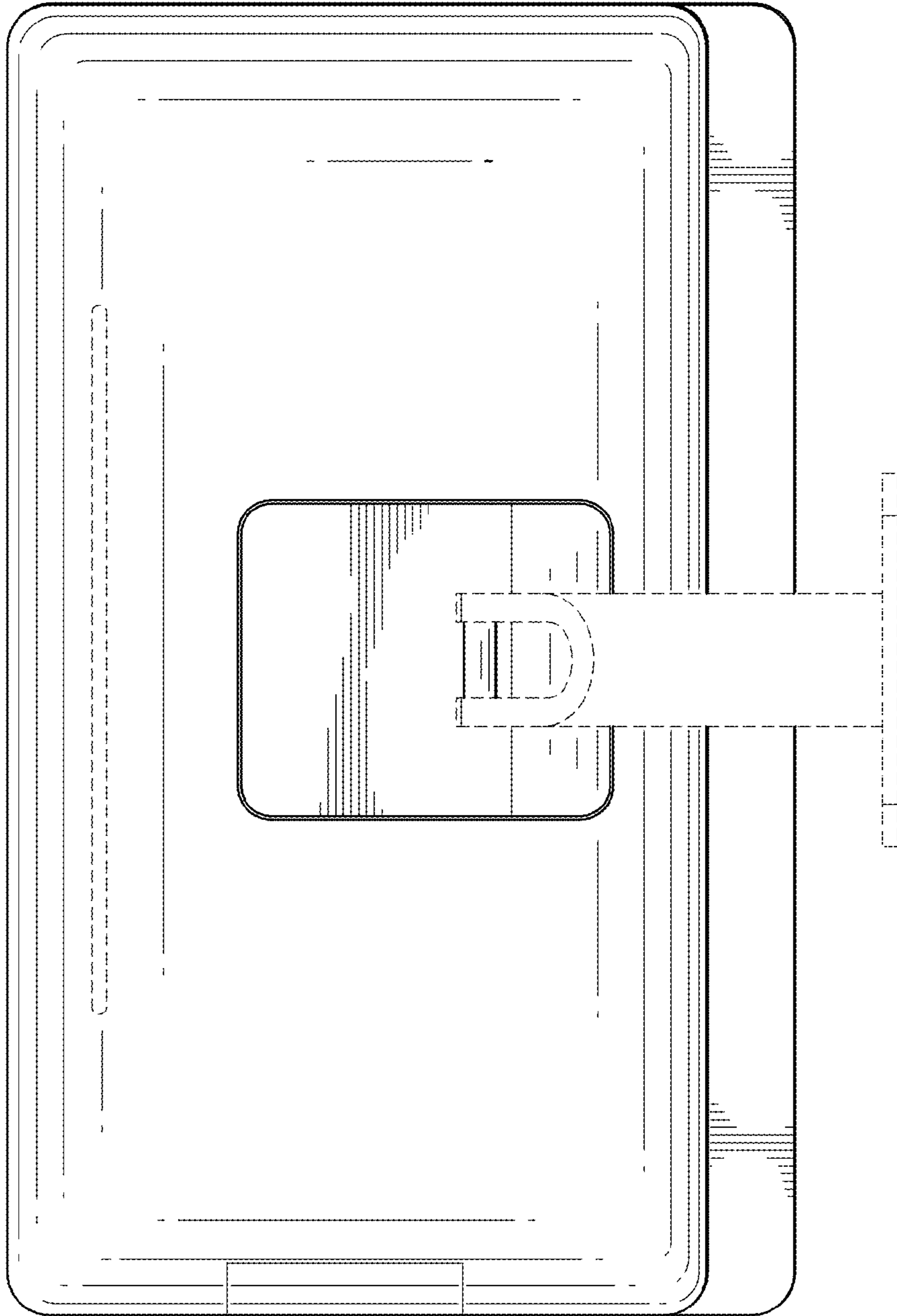


FIG. 3

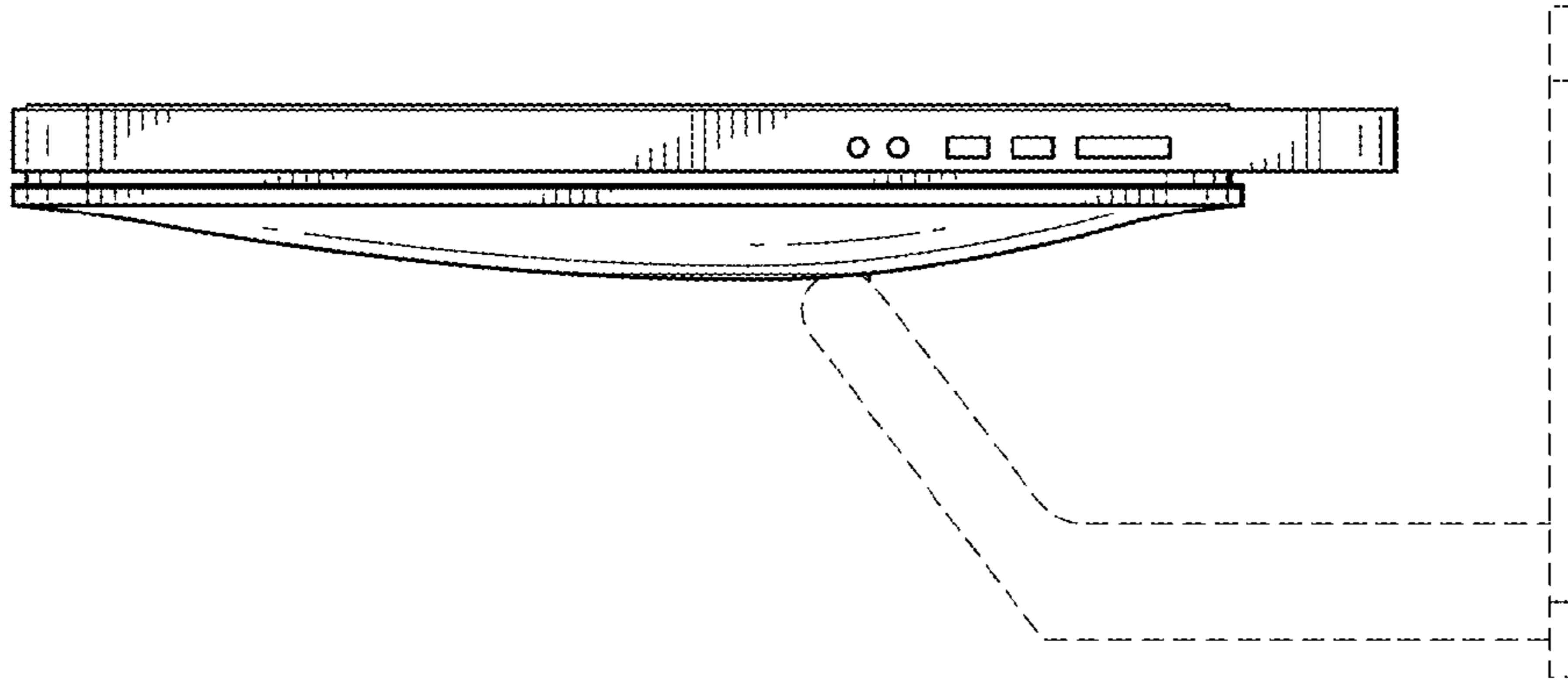


FIG. 5

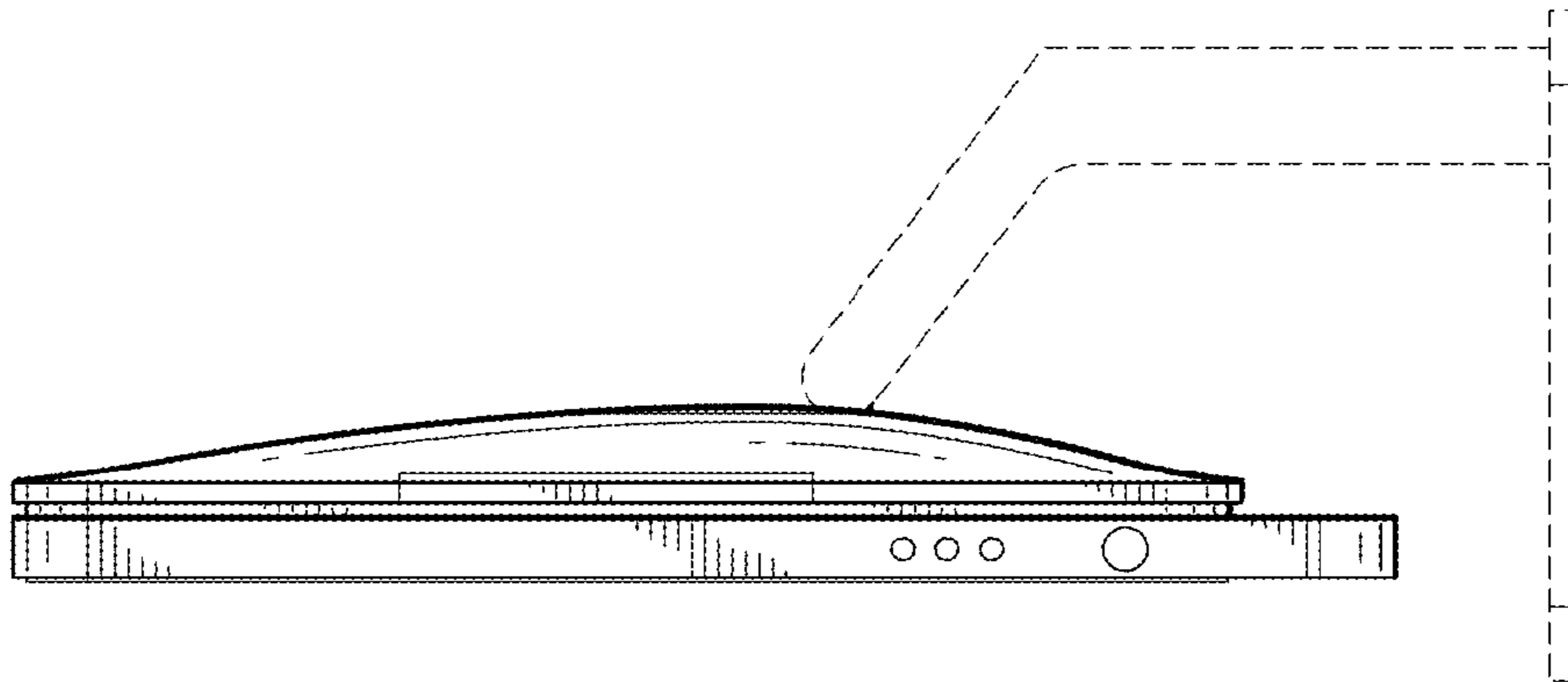


FIG. 4

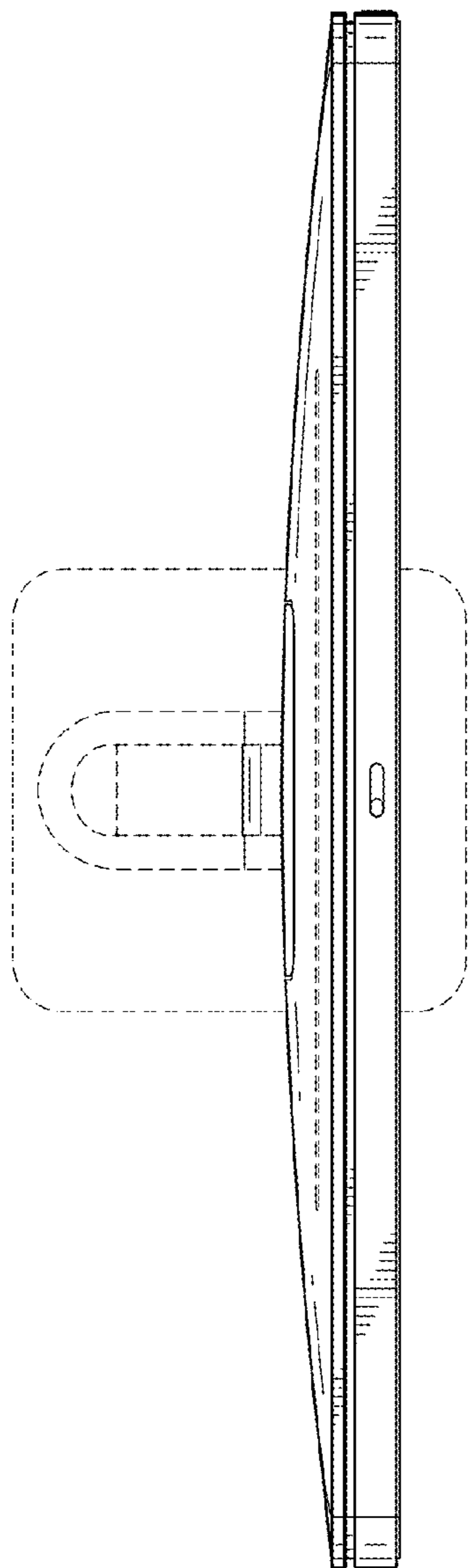


FIG. 6

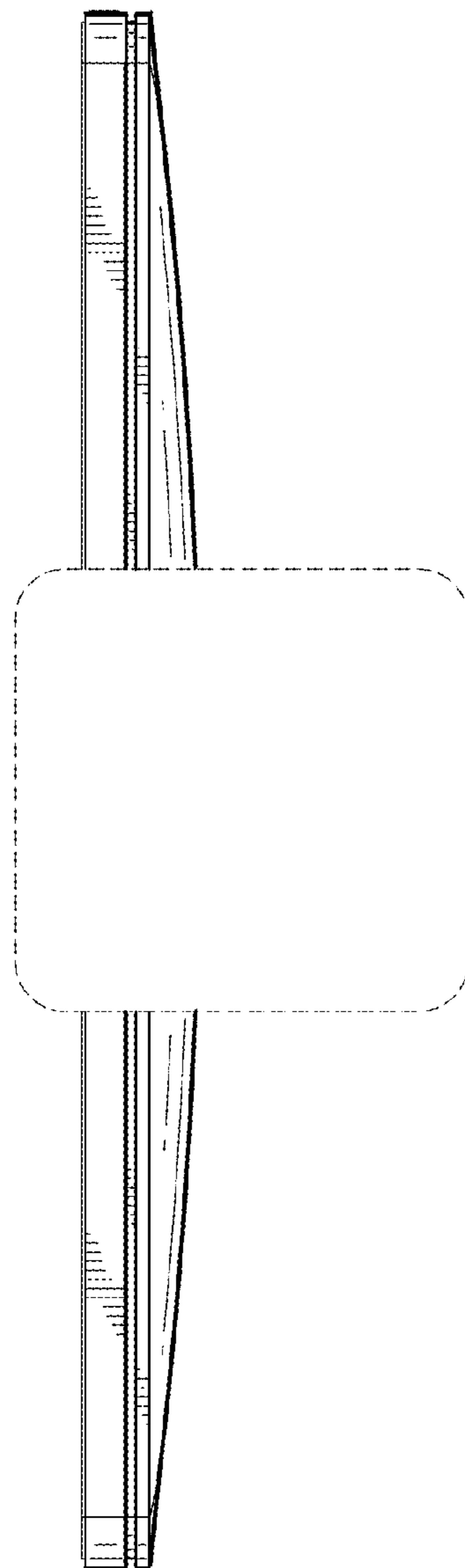


FIG. 7

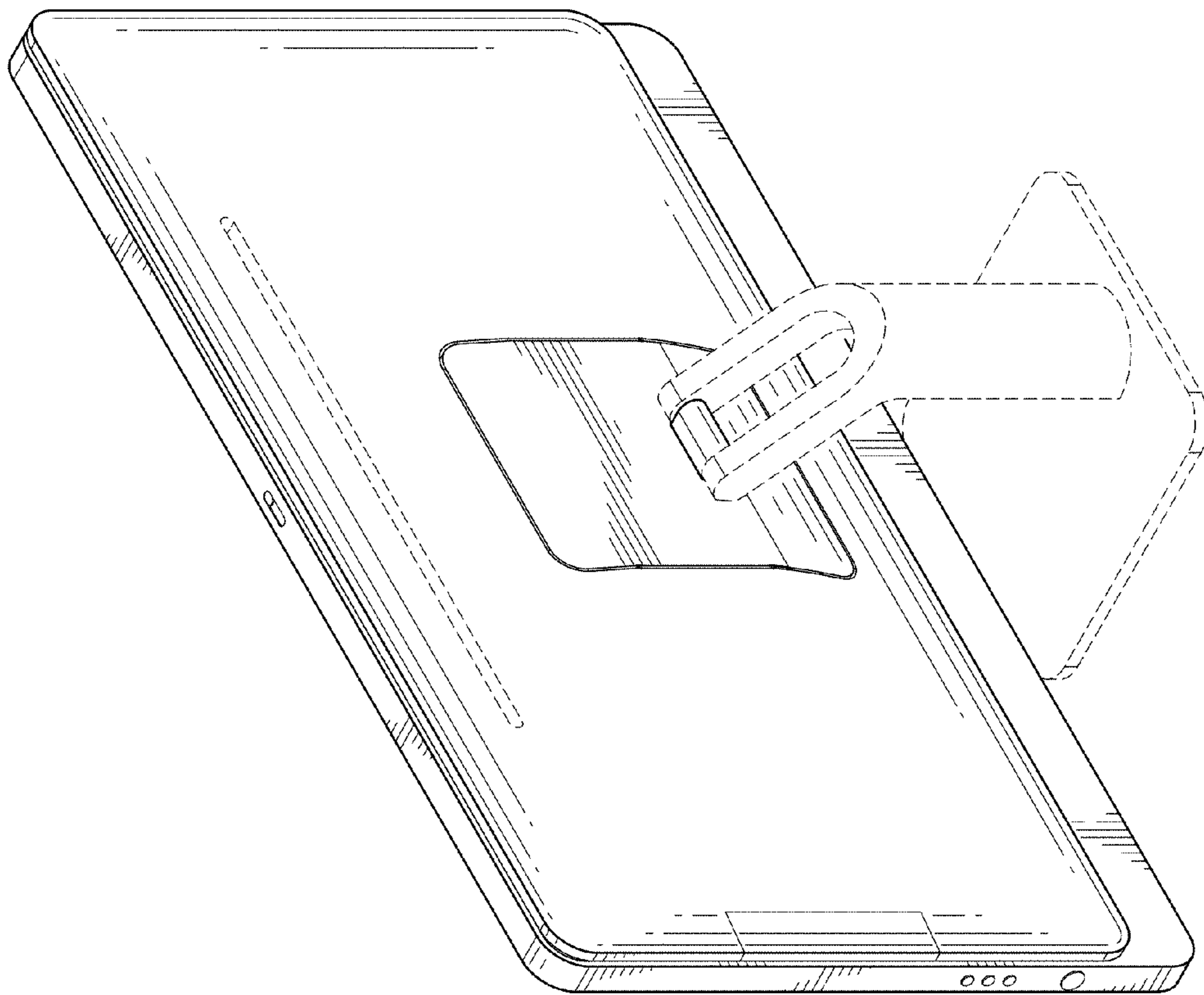


FIG. 8