



US00D698349S

(12) **United States Design Patent**
Sun et al.

(10) **Patent No.:** **US D698,349 S**
(45) **Date of Patent:** **** Jan. 28, 2014**

(54) **INFORMATION HANDLING SYSTEM
HOUSING**

(71) Applicant: **Dell Products L.P.**, Round Rock, TX
(US)

(72) Inventors: **Cecilia Hsiao Sun**, Austin, TX (US);
Jason T. Minehart, Austin, TX (US)

(73) Assignee: **Dell Products L.P.**, Round Rock, TX
(US)

(**) Term: **14 Years**

(21) Appl. No.: **29/439,448**

(22) Filed: **Dec. 11, 2012**

(51) **LOC (10) Cl.** **14-02**

(52) **U.S. Cl.**
USPC **D14/315**

(58) **Field of Classification Search**
USPC D14/315-327, 455; D18/1, 2, 7, 11;
235/145 A, 145 R; 341/22, 23; 345/104,
345/156, 168, 169, 173; 361/679.08,
361/679.09, 679.11, 679.26, 679.27

See application file for complete search history.

(56) **References Cited**

U.S. PATENT DOCUMENTS

D649,542	S	*	11/2011	Yoon et al.	D14/315
D652,417	S	*	1/2012	Lee et al.	D14/315
D661,301	S	*	6/2012	Kim et al.	D14/327
D664,535	S	*	7/2012	Lee et al.	D14/315
2005/0041378	A1	*	2/2005	Hamada et al.	361/680

* cited by examiner

Primary Examiner — Freda S Nunn

(74) *Attorney, Agent, or Firm* — Terrile, Cannatti, Chambers & Holland, LLP; Robert W. Holland

(57) **CLAIM**

We claim the ornamental design for the information handling system housing, as shown and described.

DESCRIPTION

FIG. 1 is a front perspective view of the information handling system housing in a closed position comprising the present invention;

FIG. 2 is a front side view thereof;

FIG. 3 is a rear side view thereof;

FIG. 4 is a right side view thereof;

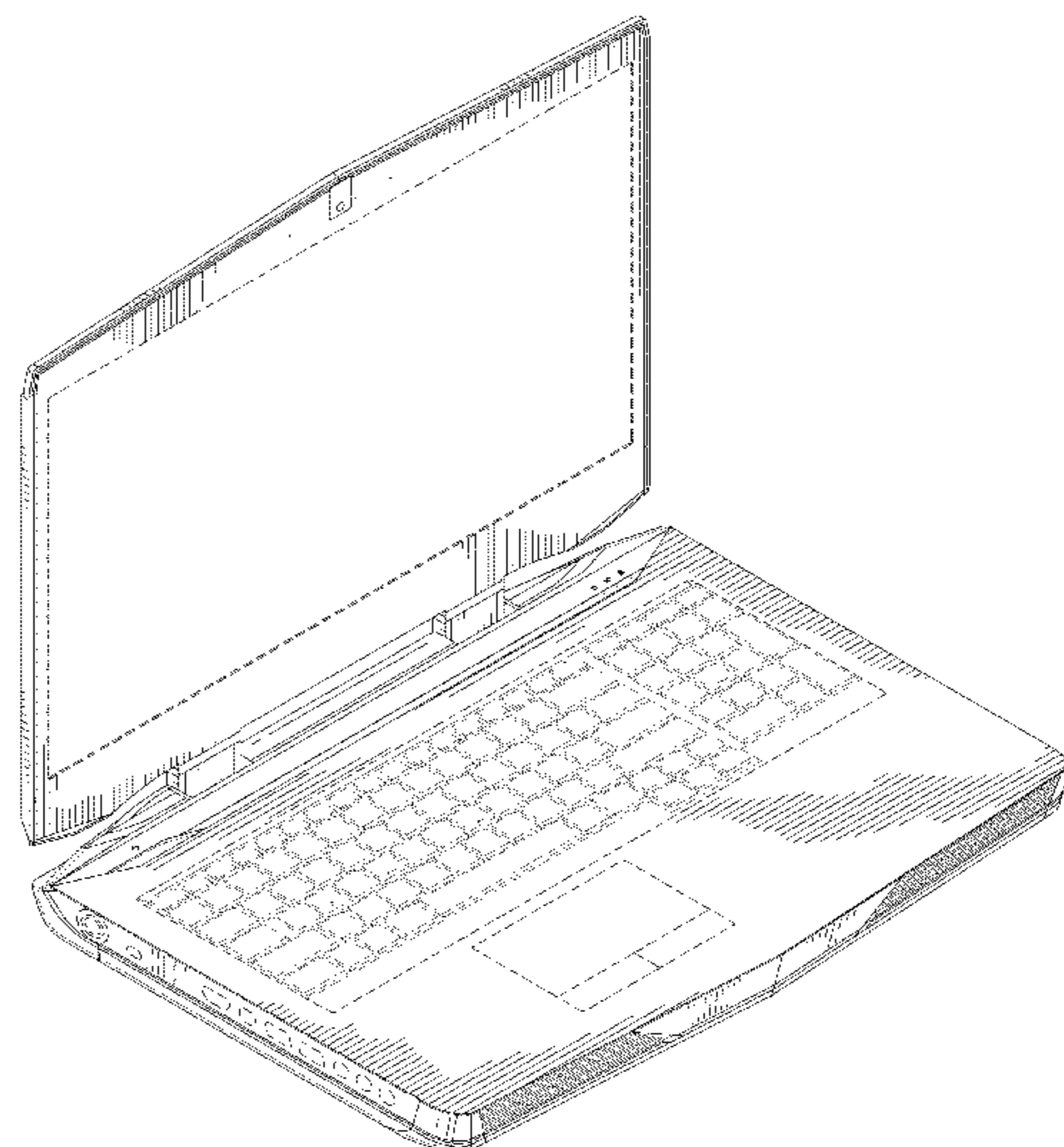
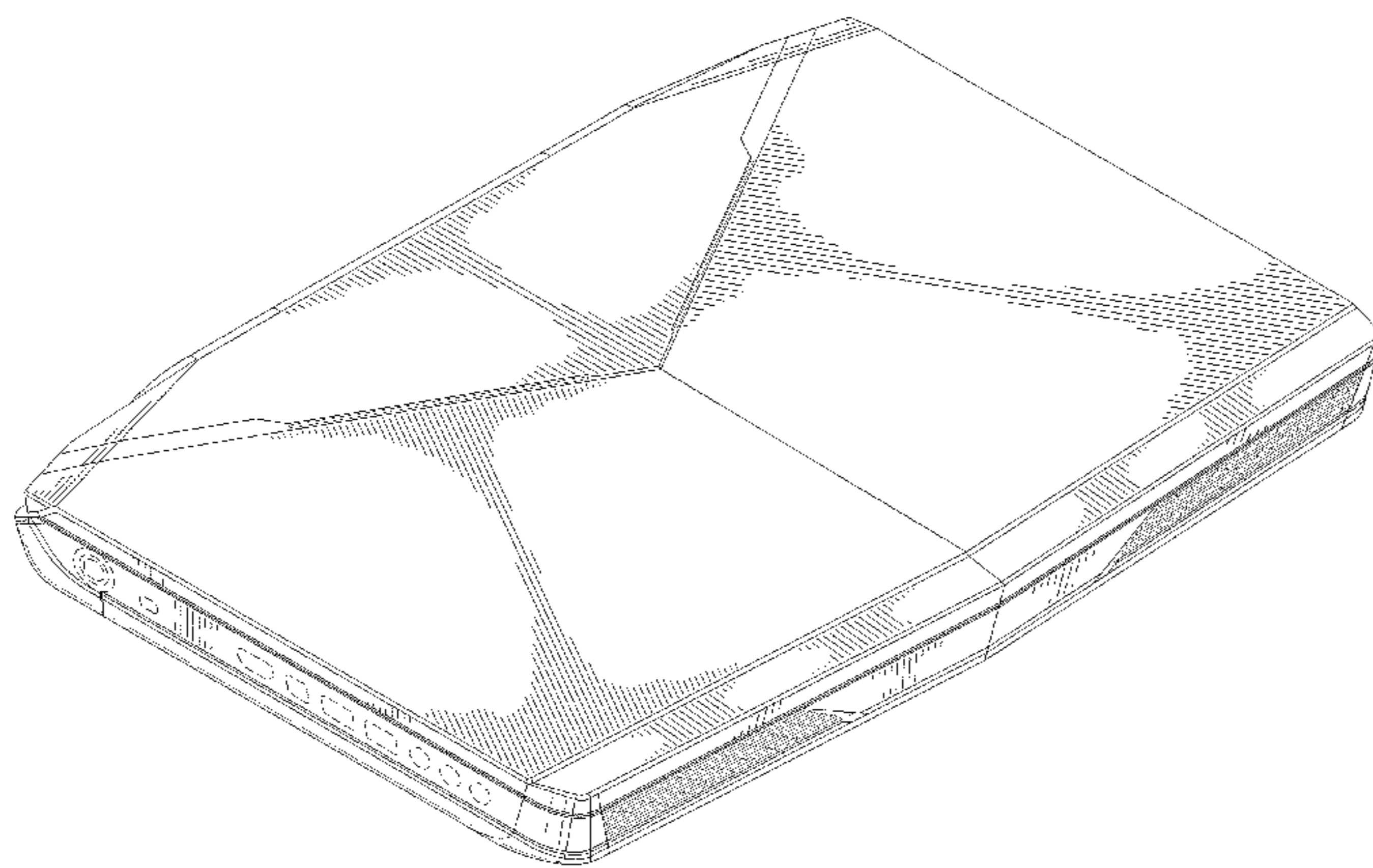
FIG. 5 is a left side view thereof;

FIG. 6 is a top view;

FIG. 7 is a bottom view; and,

FIG. 8 is a front perspective view in an open position thereof. Broken lines shown in the drawings illustrate portions of the information handling system and form no part of the claimed design.

1 Claim, 6 Drawing Sheets



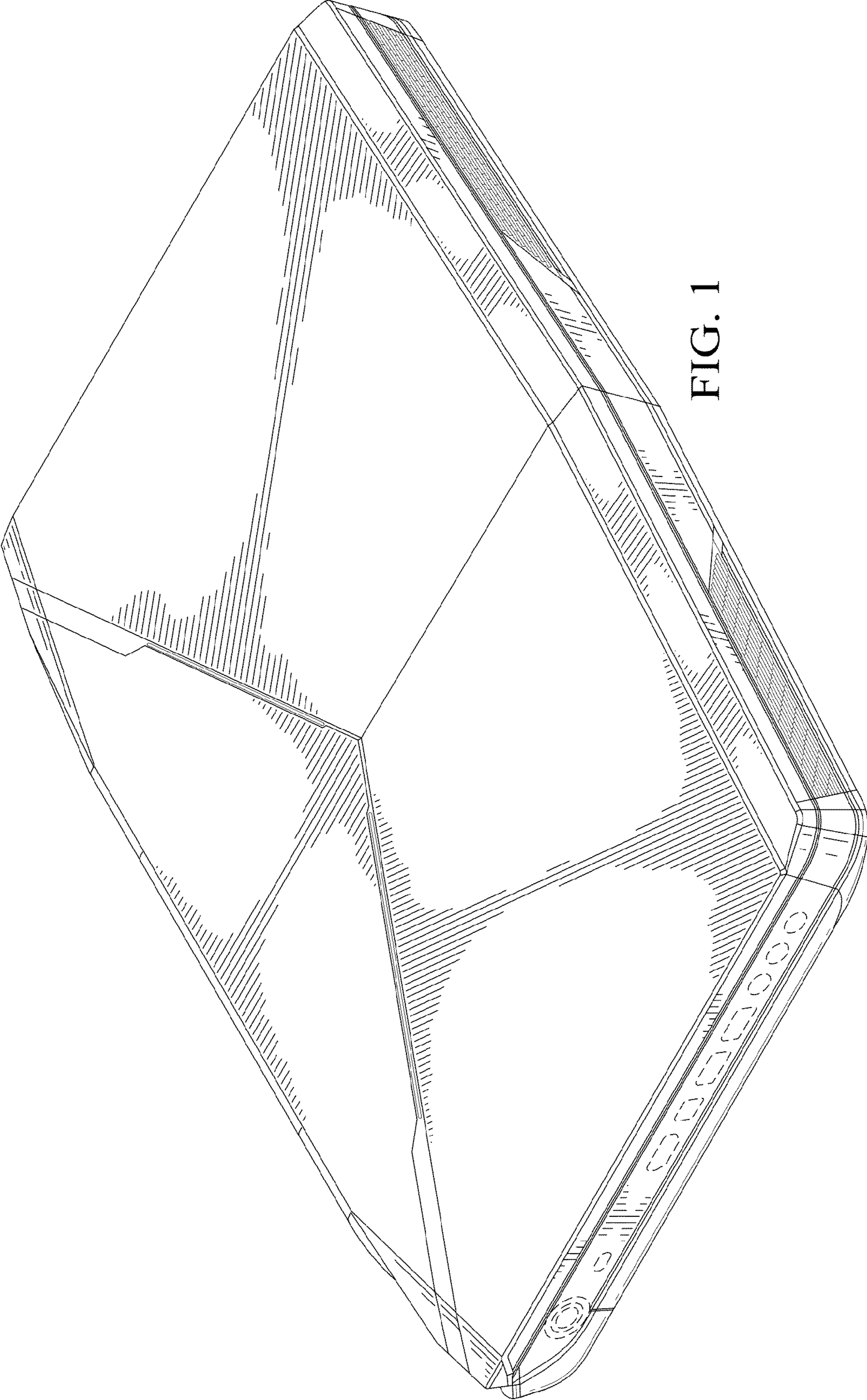


FIG. 1

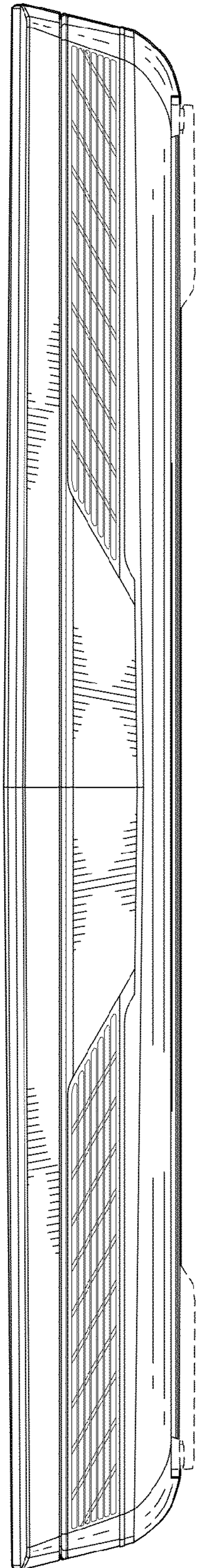


FIG. 2

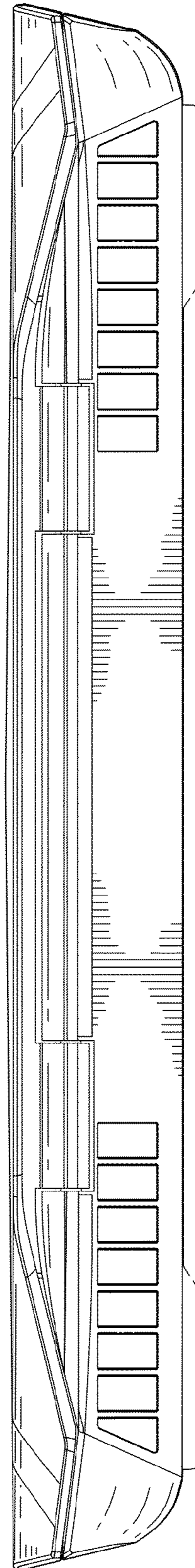


FIG. 3

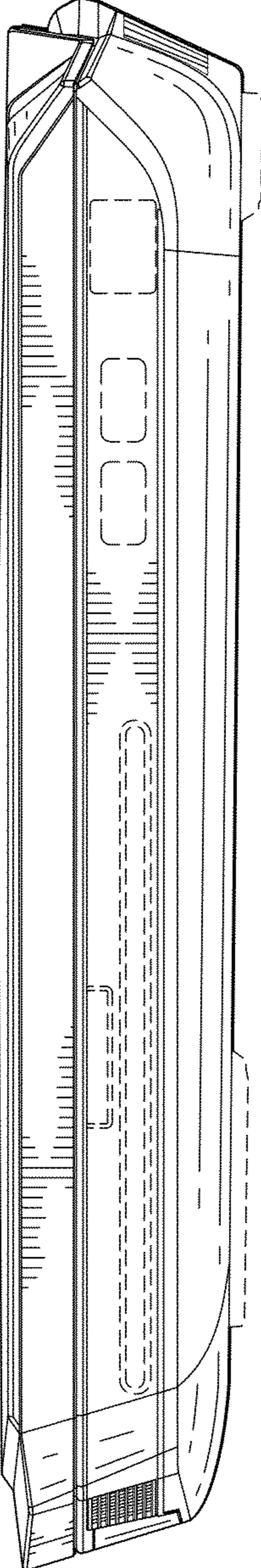


FIG. 4

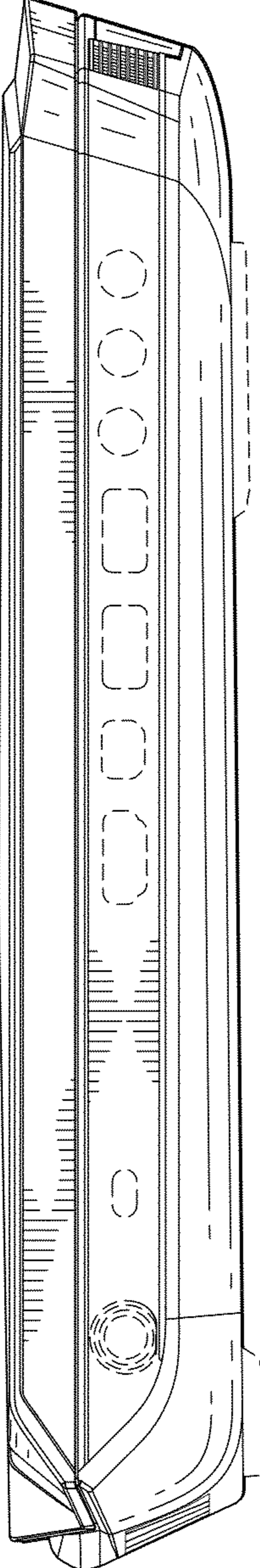


FIG. 5

FIG. 6

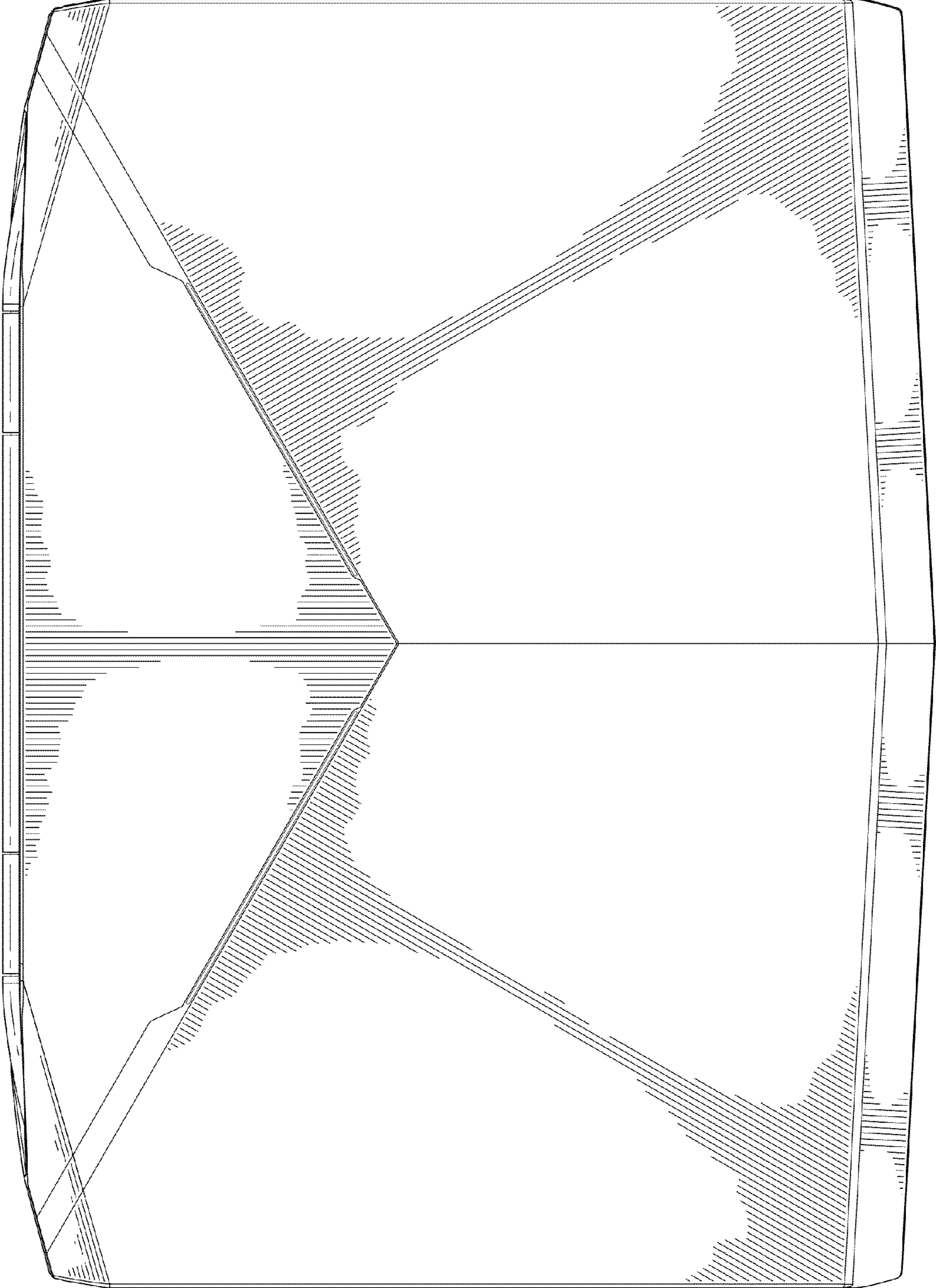


FIG. 7

