



US00D698348S

(12) **United States Design Patent**
Ilchan et al.

(10) **Patent No.:** **US D698,348 S**
(45) **Date of Patent:** **** *Jan. 28, 2014**

(54) **COMPUTING DEVICE**

(75) Inventors: **Lee Ilchan**, Houston, TX (US); **Kevin L. Massaro**, Houston, TX (US); **Dimitre D. Mehandjiysky**, Cypress, TX (US)

(73) Assignee: **Hewlett-Packard Development Company, L.P.**, Houston, TX (US)

(*) Notice: This patent is subject to a terminal disclaimer.

(**) Term: **14 Years**

(21) Appl. No.: **29/428,974**

(22) Filed: **Aug. 6, 2012**

(51) **LOC (10) Cl.** **14-02**

(52) **U.S. Cl.**
USPC **D14/315**

(58) **Field of Classification Search**
USPC D14/315-327; D18/1, 2, 7, 11;
235/145 A, 145 R; 341/22, 23; 345/104,
345/156, 168, 169, 173; 361/679.08,
361/679.09, 679.11, 679.26, 679.27

See application file for complete search history.

(56) **References Cited**

U.S. PATENT DOCUMENTS

| | | | | | | |
|--------------|----|---|---------|-----------------|-------|---------|
| D463,797 | S | * | 10/2002 | Andre et al. | | D14/327 |
| D499,726 | S | * | 12/2004 | Kurokawa | | D14/318 |
| D602,485 | S | * | 10/2009 | Ting et al. | | D14/318 |
| D615,969 | S | * | 5/2010 | Arbisi et al. | | D14/327 |
| D658,171 | S | * | 4/2012 | Masui et al. | | D14/318 |
| 2005/0018396 | A1 | * | 1/2005 | Nakajima et al. | | 361/683 |

* cited by examiner

Primary Examiner — Freda S Nunn

(57) **CLAIM**

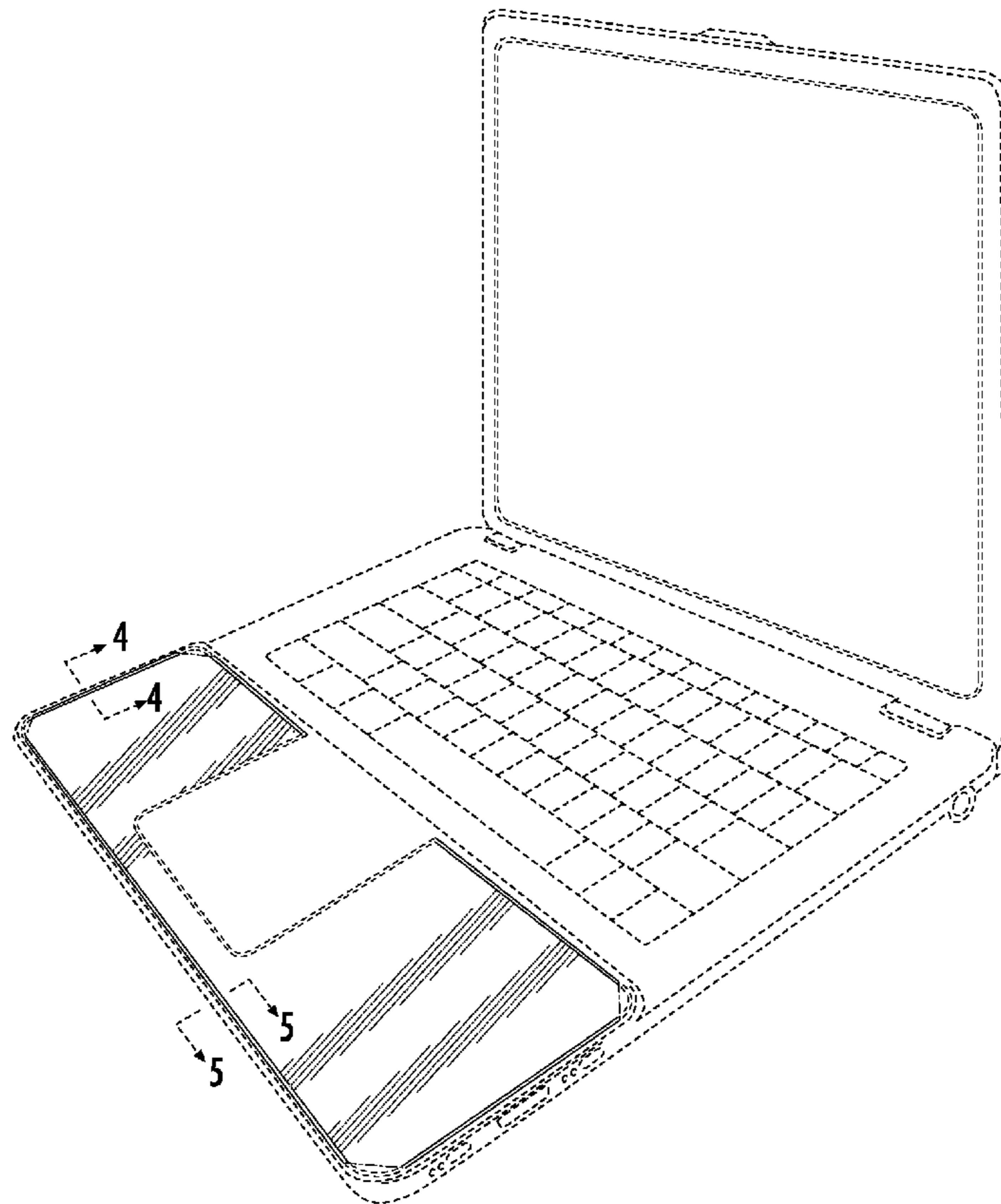
We claim the ornamental design for a computing device, as shown and described.

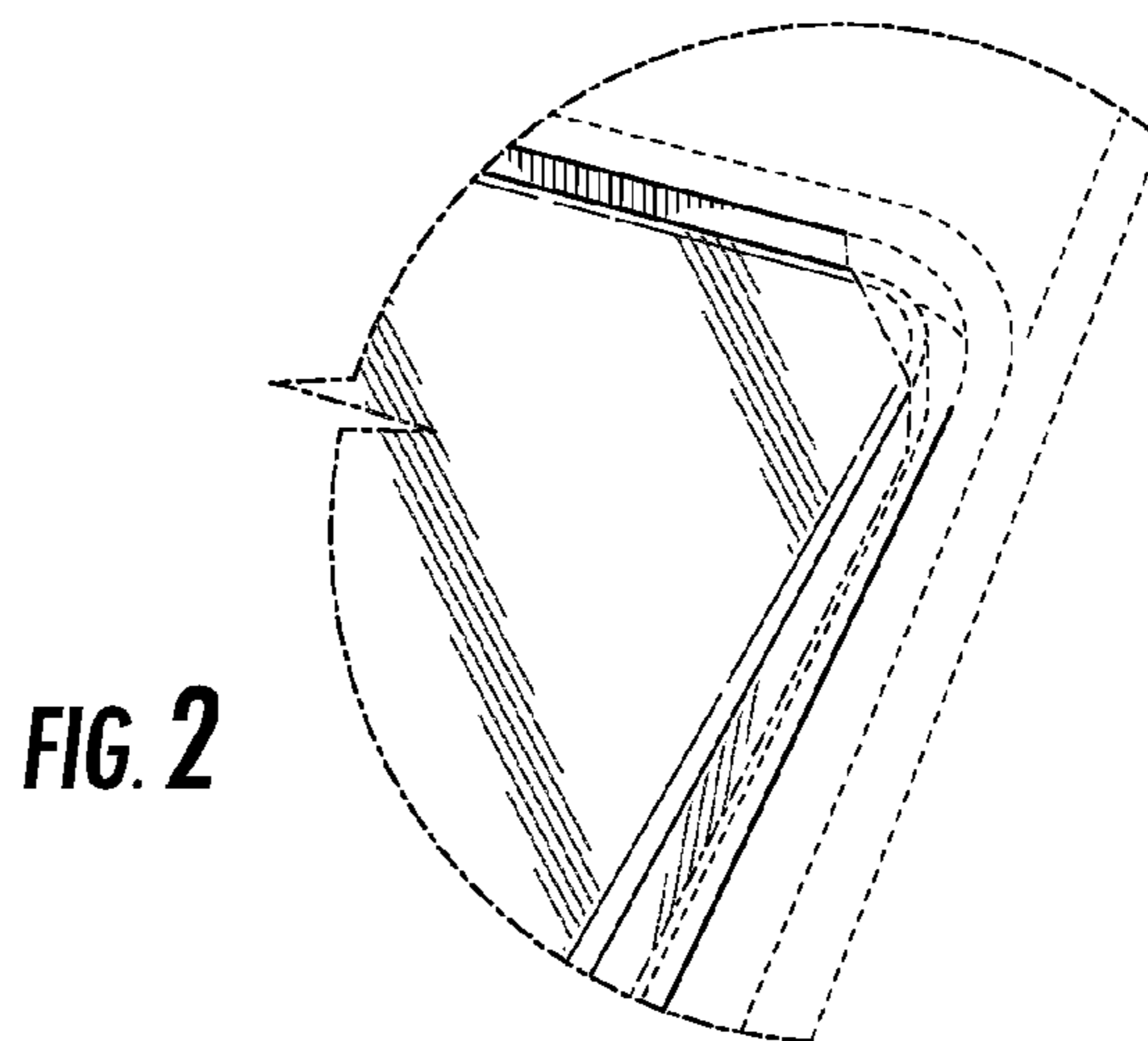
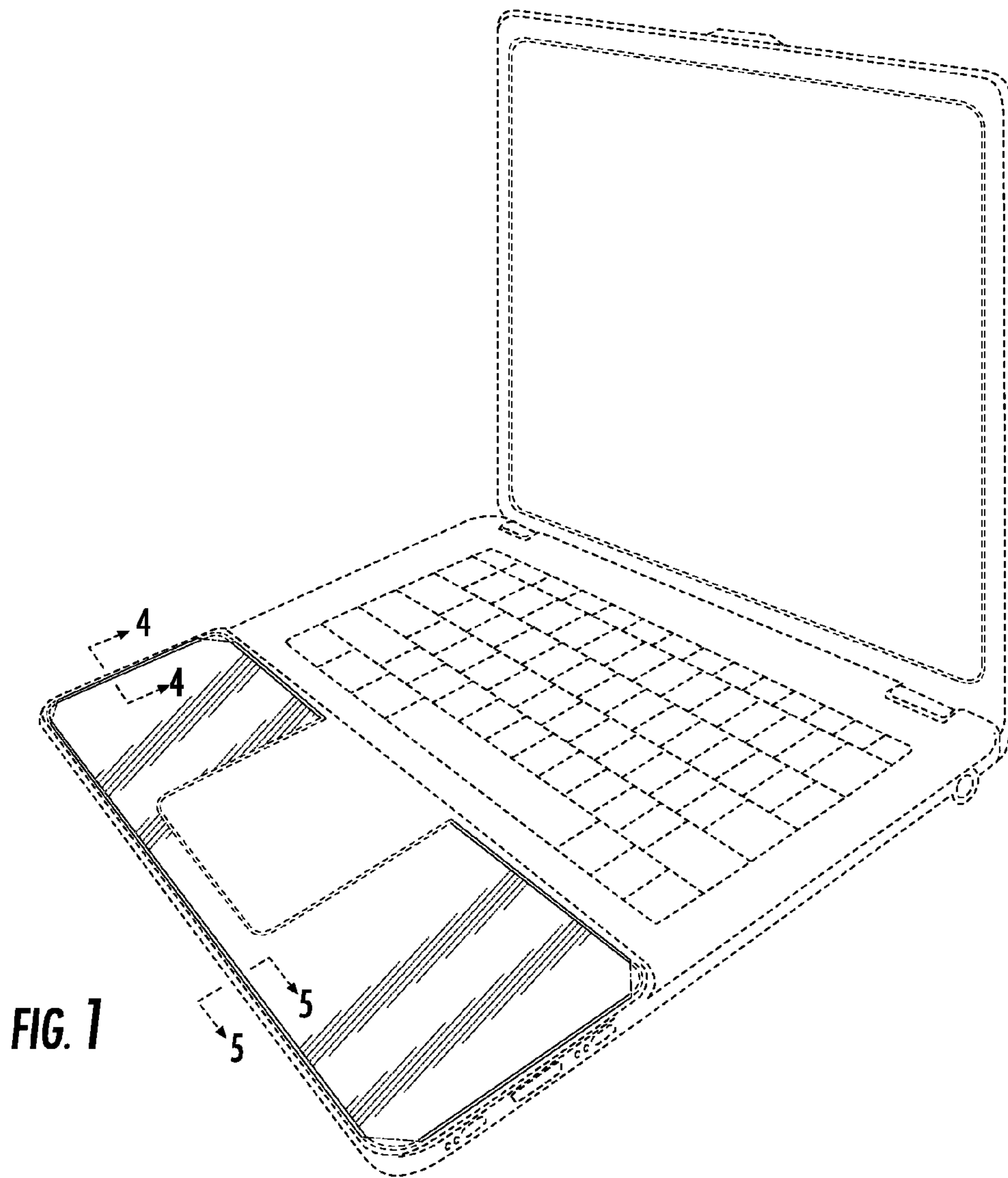
DESCRIPTION

FIG. 1 is a top perspective view of a computing device; FIG. 2 is an enlarged fragmentary perspective view thereof; FIG. 3 is a top view thereof; FIG. 4 is a sectional view thereof taken along line 4-4 of FIG. 1; and, FIG. 5 is a sectional view thereof taken along line 5-5 of FIG. 1.

The dash-dash broken lines in the drawings are environmental lines which do not form part of the claimed design. The short dash-long dash lines are boundary lines which do not form part of the claimed design. The shading represents a translucent glass material.

1 Claim, 3 Drawing Sheets





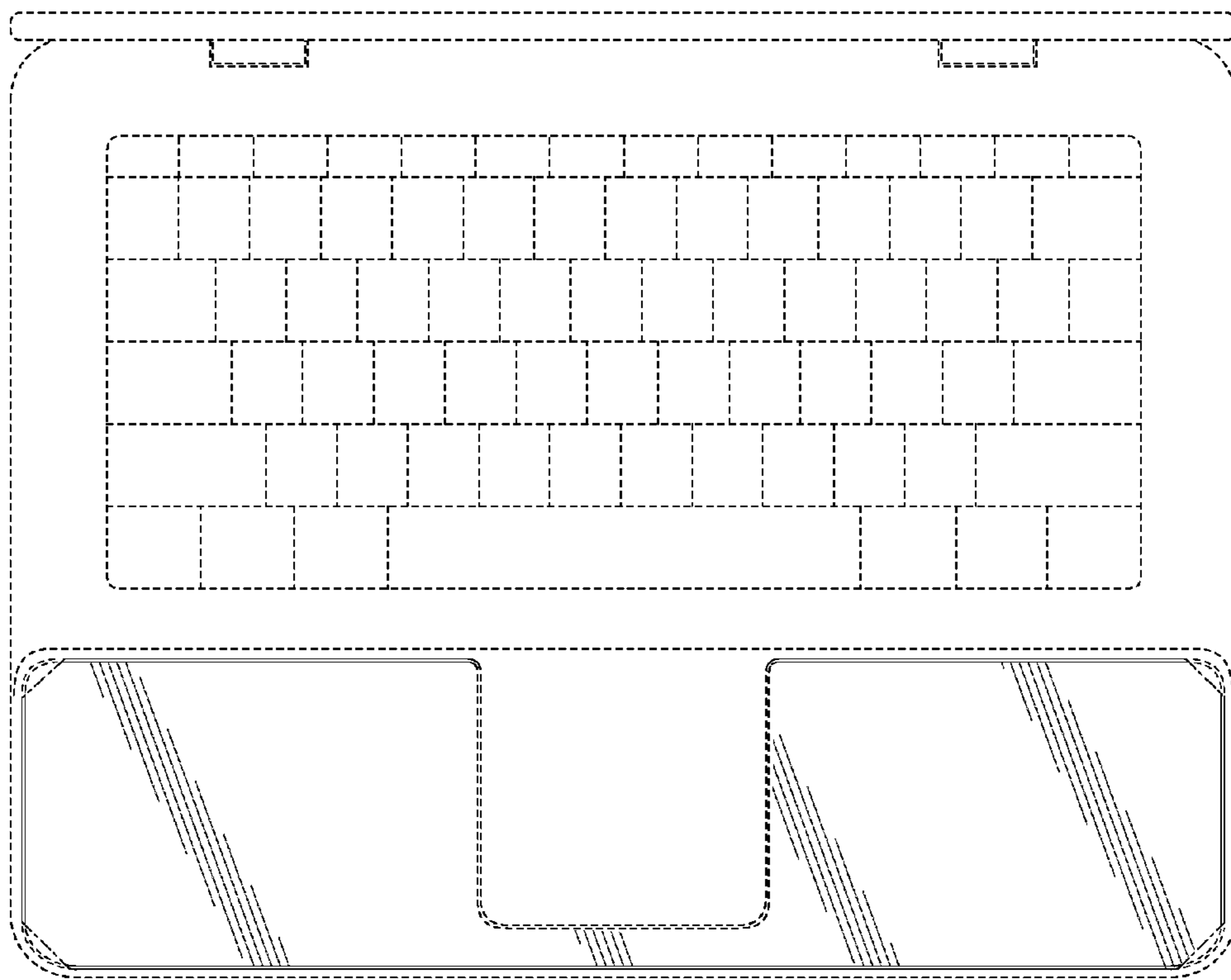


FIG. 3

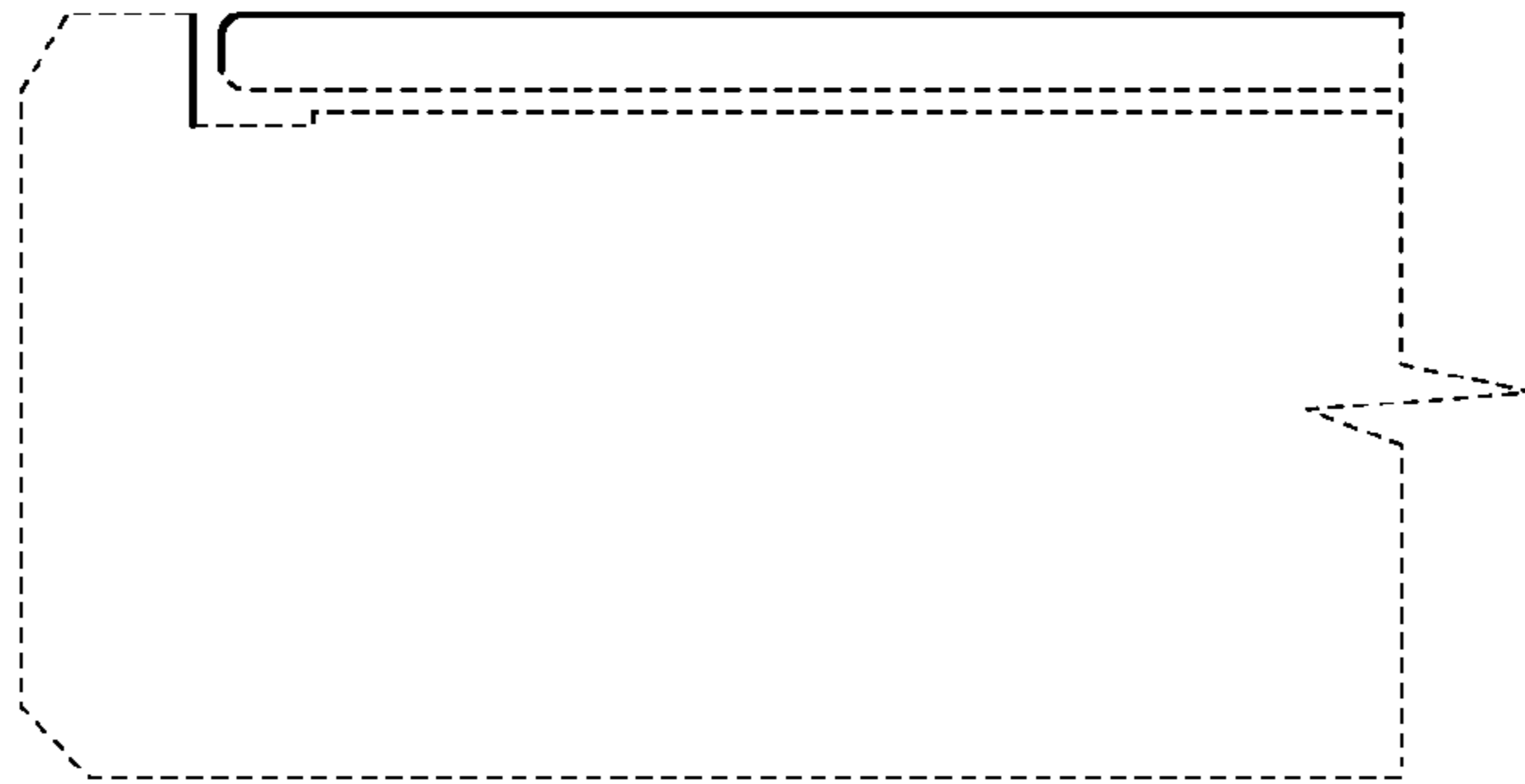


FIG. 4

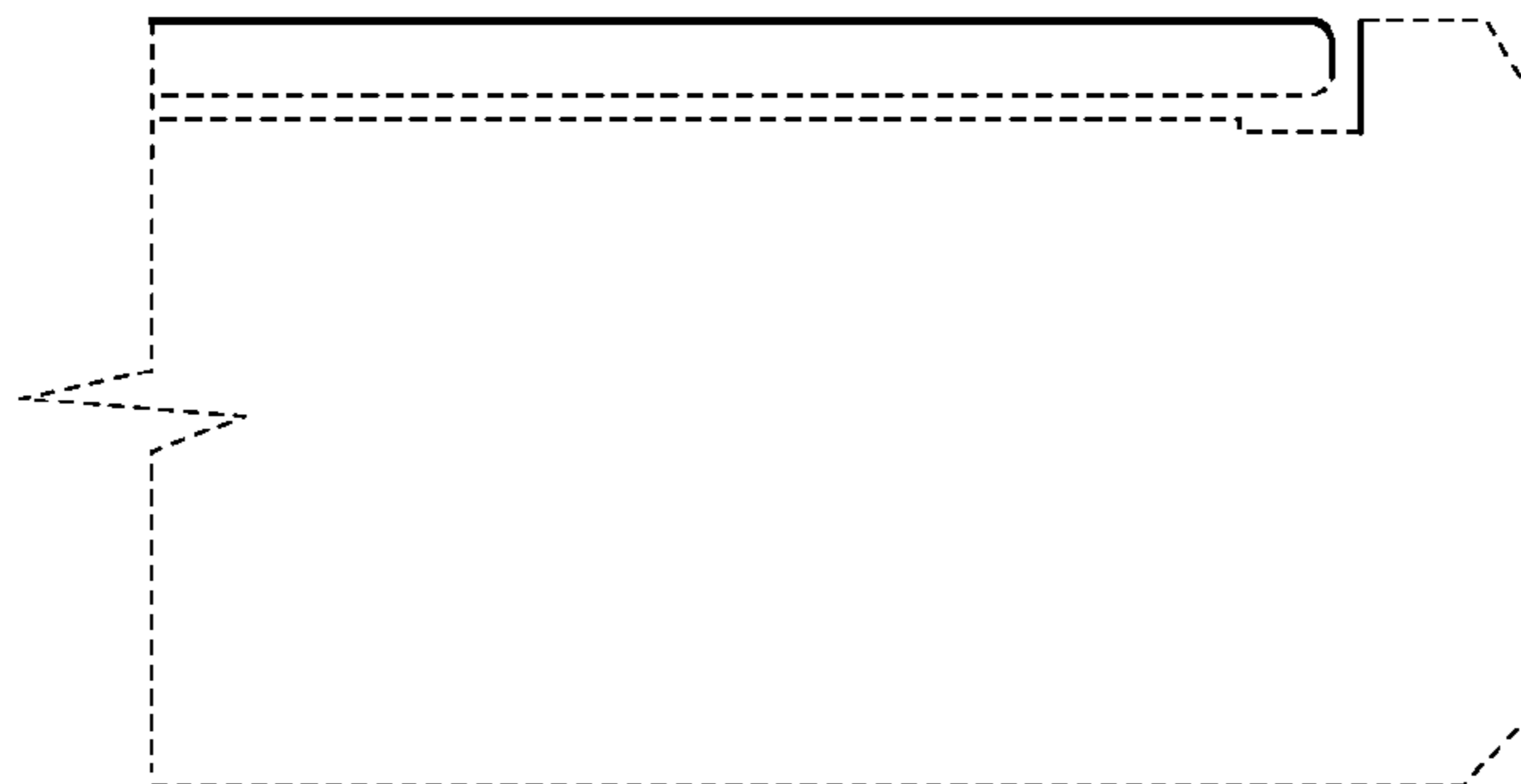


FIG. 5