



US00D698345S

(12) **United States Design Patent**
Chang et al.

(10) **Patent No.:** **US D698,345 S**
(45) **Date of Patent:** **** Jan. 28, 2014**

(54) **CASE FOR ELECTRONIC DEVICE**

(71) Applicant: **Otter Products, LLC**, Fort Collins, CO (US)

(72) Inventors: **Tao-Wei Chang**, Arvada, CO (US);
Peter Gronewoller, Fort Collins, CO (US); **Alan Morine**, Fort Collins, CO (US)

(73) Assignee: **Otter Products, LLC**

(**) Term: **14 Years**

(21) Appl. No.: **29/447,522**

(22) Filed: **Mar. 4, 2013**

(51) **LOC (10) Cl.** **14-03**

(52) **U.S. Cl.**
USPC **D14/250**

(58) **Field of Classification Search**
USPC D14/250–253, 440, 203.3–203.7, 217, D14/496, 248, 238.1, 240, 447, 341–347, D14/444; D13/103, 107–108, 119; D3/201, D3/218, 247, 269, 273, 301, 303; 248/309.1, 371, 176.3, 668; 361/679.56, 679.3, 679.25, 816; 379/426, 433.11, 455; 455/575.1, 455/575.8; 206/305, 320; 320/108, 115; 429/96; 220/4.02; 150/165

See application file for complete search history.

(56) **References Cited**

U.S. PATENT DOCUMENTS

D581,155 S	11/2008	Richardson et al.
D587,008 S	2/2009	Richardson et al.
D589,016 S	3/2009	Richardson et al.
D593,746 S	6/2009	Richardson et al.
D597,301 S	8/2009	Richardson et al.
D603,602 S	11/2009	Richardson et al.
D605,850 S	12/2009	Richardson et al.
D613,282 S	4/2010	Richardson et al.

D615,535 S	5/2010	Richardson et al.
D617,784 S	6/2010	Richardson et al.
D623,639 S	9/2010	Richardson et al.
D626,964 S	11/2010	Richardson et al.
D634,741 S	3/2011	Richardson et al.
D636,387 S *	4/2011	Willes et al. D14/250
7,933,122 B2	4/2011	Richardson et al.
D637,589 S	5/2011	Willes et al.
D638,411 S	5/2011	Willes et al.
D638,413 S	5/2011	Magness et al.
D638,828 S	5/2011	Melanson et al.
D640,679 S	6/2011	Willes et al.
D641,013 S *	7/2011	Richardson et al. D14/250
D642,170 S	7/2011	Johnson et al.
D642,171 S	7/2011	Melanson et al.
D643,422 S *	8/2011	Smith et al. D14/250
D643,837 S	8/2011	Smith et al.
D644,637 S	9/2011	Smith et al.
D644,639 S	9/2011	Weller et al.
D645,031 S	9/2011	Richardson et al.
D649,347 S	11/2011	Smith et al.
D651,203 S	12/2011	Michie et al.
D651,204 S *	12/2011	Wibby et al. D14/250
D651,594 S	1/2012	Melanson et al.

(Continued)

Primary Examiner — Carla Jobe Wright

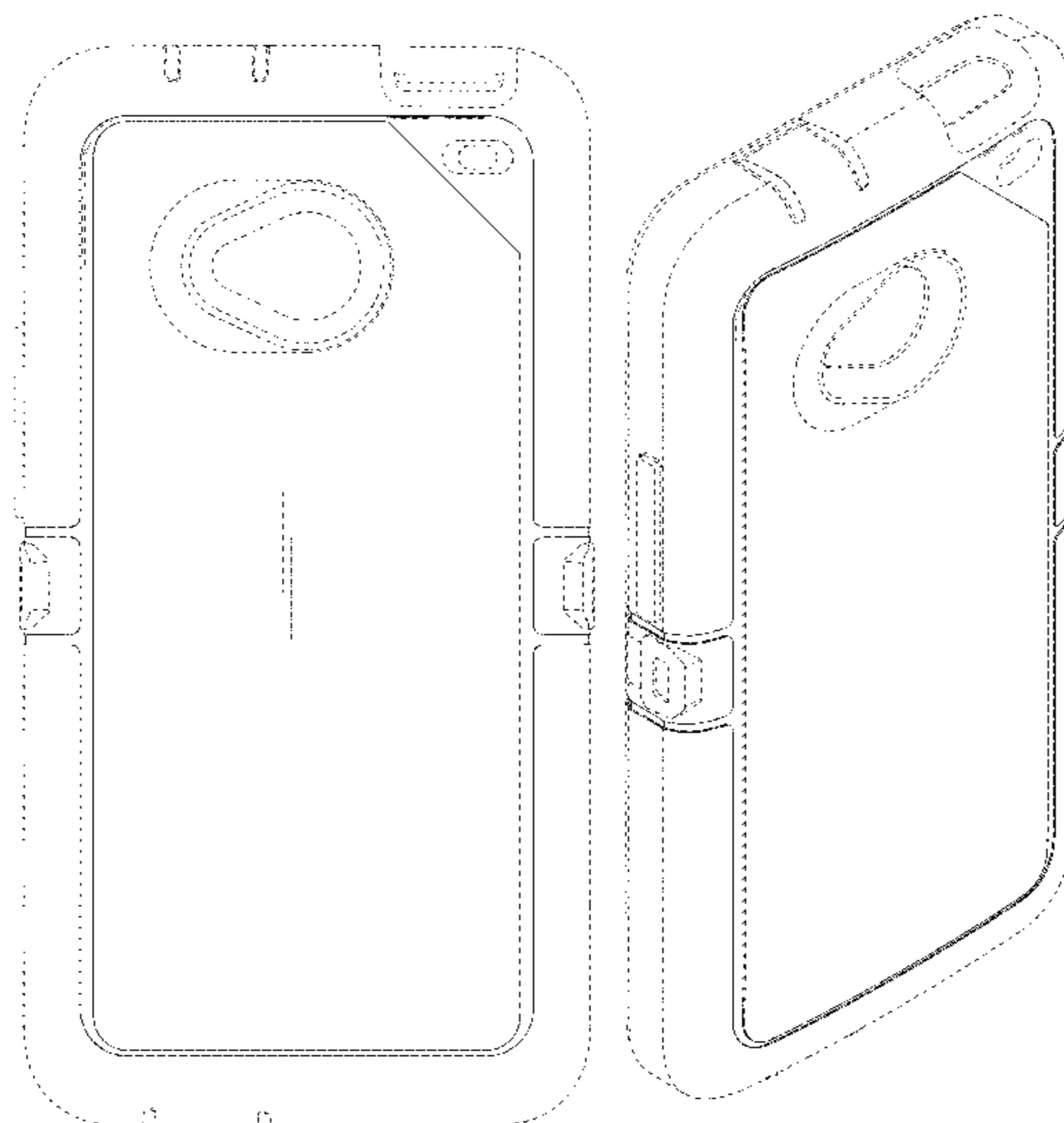
(57) **CLAIM**

The ornamental design for a case for electronic device, as shown and described.

DESCRIPTION

FIG. 1 is a first front isometric view of a case for electronic device showing our new design; FIG. 2 is a second front isometric view thereof; FIG. 3 is a first rear isometric view thereof; FIG. 4 is a rear view thereof; and, FIG. 5 is a second rear isometric view thereof. In the drawings, the broken lines depict unclaimed environment. The dash-dash-dash broken lines depict unclaimed environment. The broken lines form no part of the claimed design.

1 Claim, 5 Drawing Sheets



(56)

References Cited

U.S. PATENT DOCUMENTS

D654,485 S	2/2012	Chang et al.	
D654,487 S	2/2012	Weller et al.	
D654,491 S *	2/2012	Melanson et al.	D14/250
D654,492 S	2/2012	Melanson et al.	
D657,137 S	4/2012	Weller et al.	
D661,482 S	6/2012	Chang et al.	
D661,483 S	6/2012	Weller et al.	
D663,296 S *	7/2012	Melanson et al.	D14/250
D673,539 S	1/2013	Magness et al.	
D673,541 S	1/2013	Weller et al.	
D673,543 S	1/2013	Melanson et al.	
D673,545 S	1/2013	Magness et al.	
D673,546 S	1/2013	Magness et al.	
D673,550 S	1/2013	Magness et al.	
D673,552 S	1/2013	Weller et al.	
D673,569 S	1/2013	Smith et al.	
D673,936 S	1/2013	Michie et al.	
D673,939 S *	1/2013	Chang et al.	D14/250
D673,940 S	1/2013	Chang et al.	
D673,941 S	1/2013	Melanson et al.	
D674,791 S	1/2013	Melanson et al.	
D675,603 S	2/2013	Melanson et al.	
D676,036 S	2/2013	Chang et al.	
D676,435 S	2/2013	Chang et al.	
D676,838 S	2/2013	Magness et al.	
D677,251 S	3/2013	Melanson et al.	
D680,522 S	4/2013	Melanson	
D681,023 S	4/2013	Weller et al.	
D681,025 S *	4/2013	Chang et al.	D14/250
D681,613 S	5/2013	Magness et al.	
D681,616 S *	5/2013	Weller et al.	D14/250
D681,617 S *	5/2013	Weller et al.	D14/250
D681,618 S *	5/2013	Magness et al.	D14/250
D683,340 S	5/2013	Chang et al.	
D683,341 S	5/2013	Melanson et al.	
D684,568 S	6/2013	Fitzgerald et al.	
D687,027 S *	7/2013	Melanson et al.	D14/250
2012/0018323 A1 *	1/2012	Johnson et al.	206/320

* cited by examiner

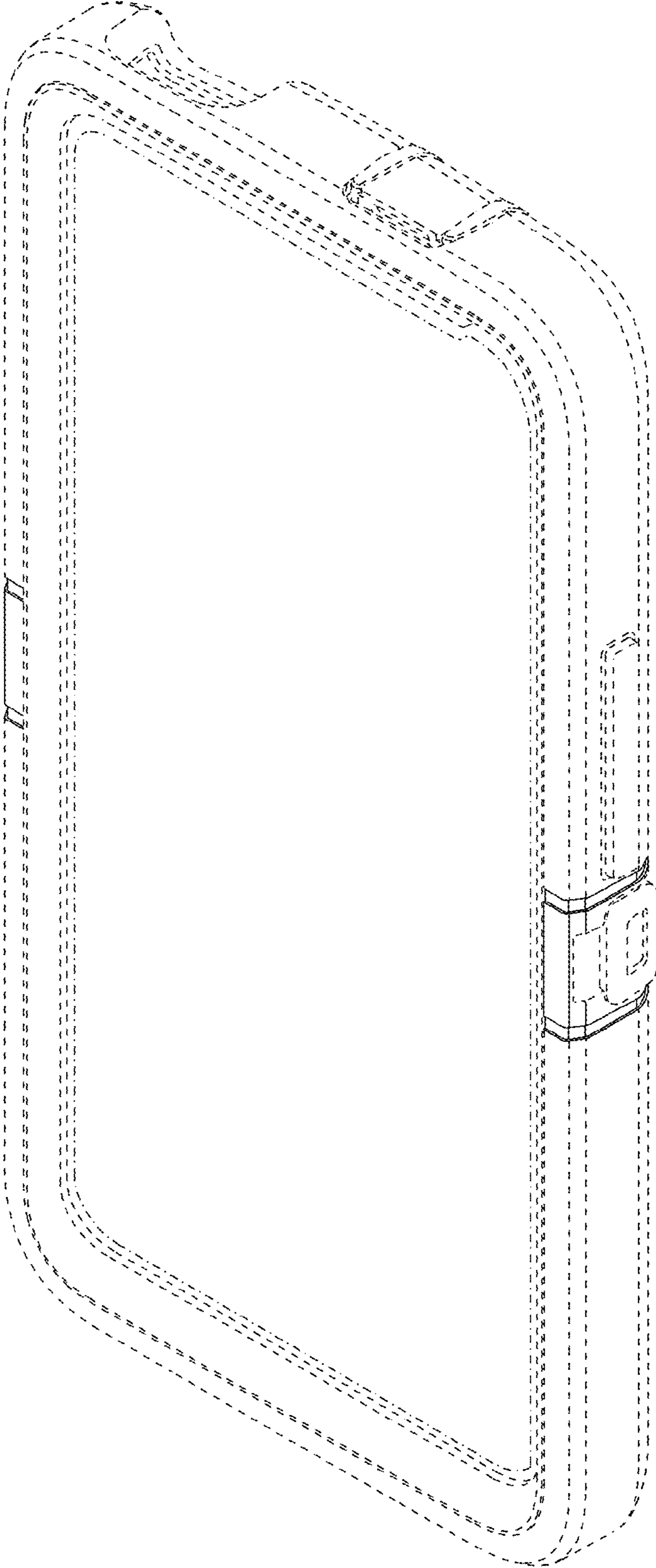


FIG. 1

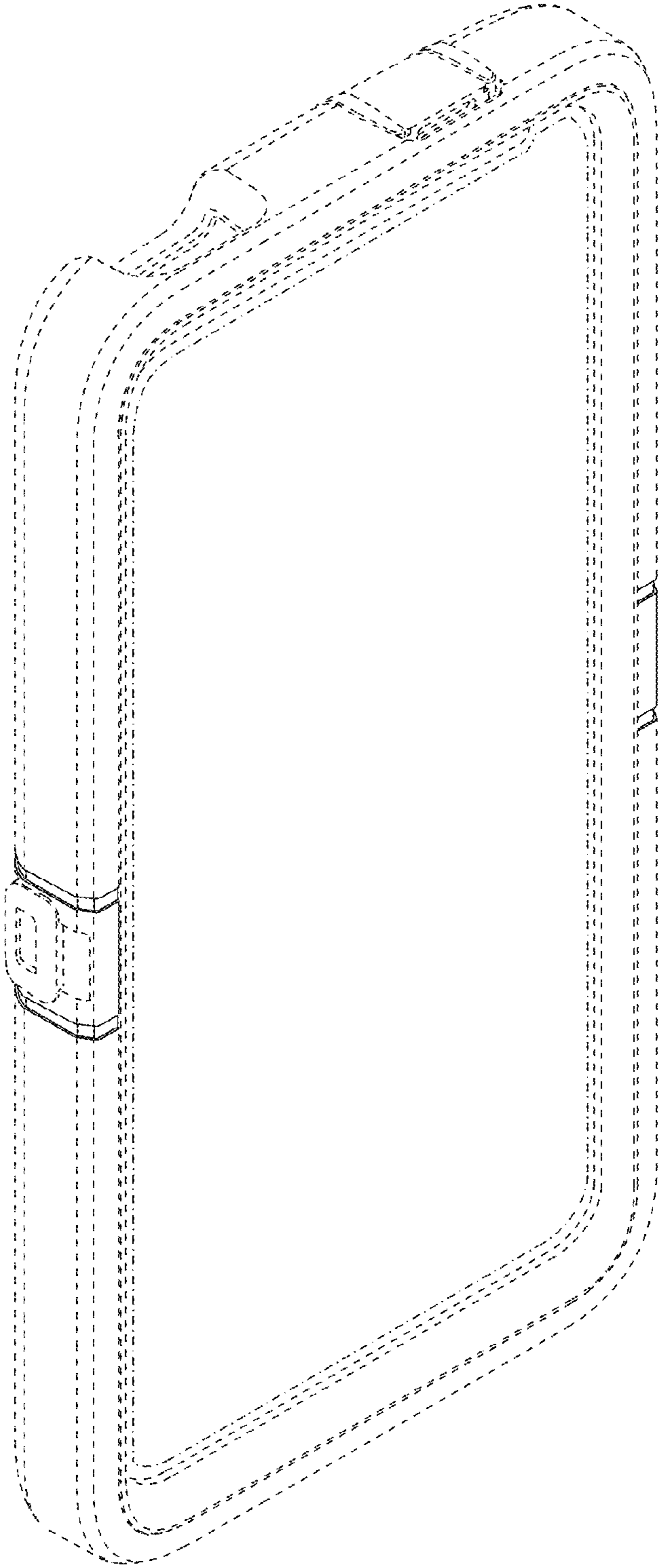


FIG. 2

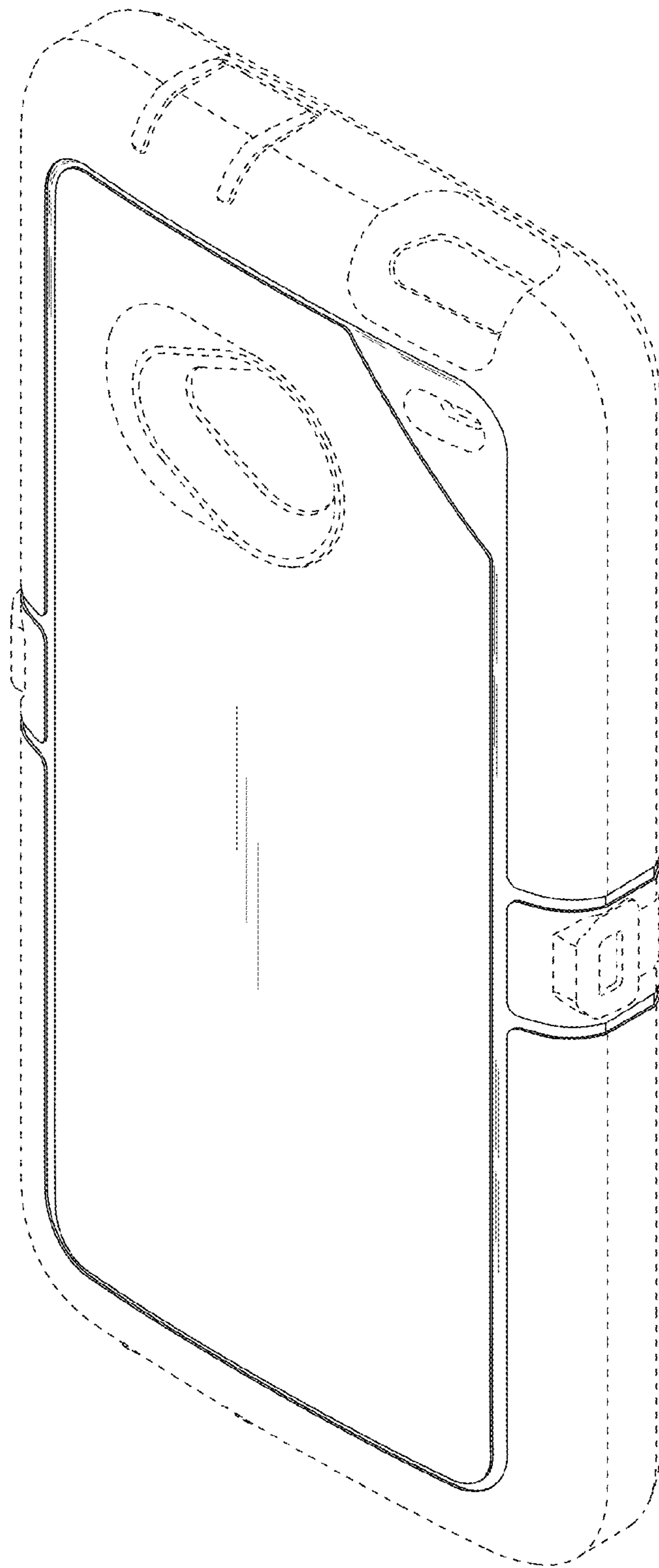


FIG. 3

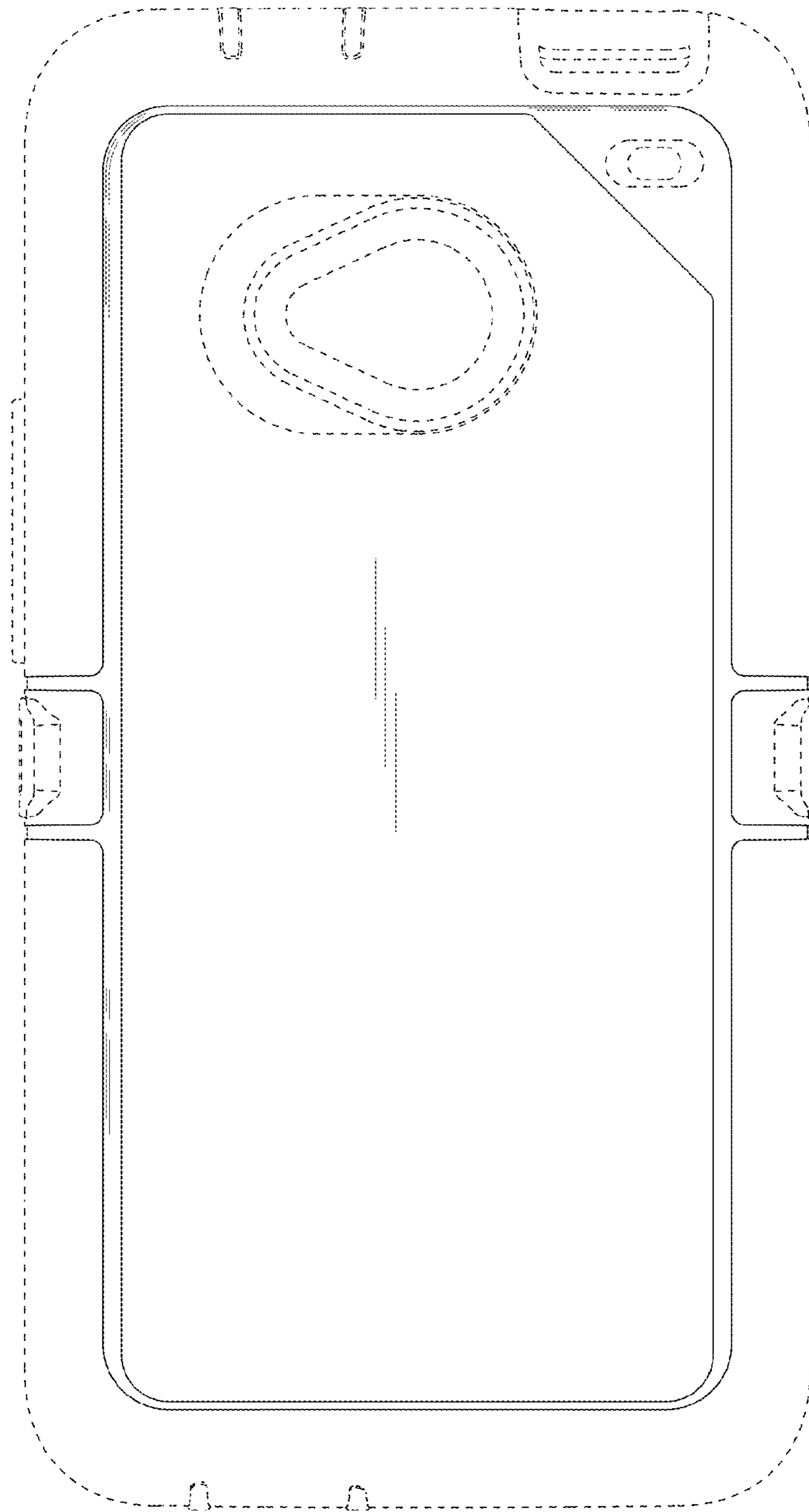


FIG. 4

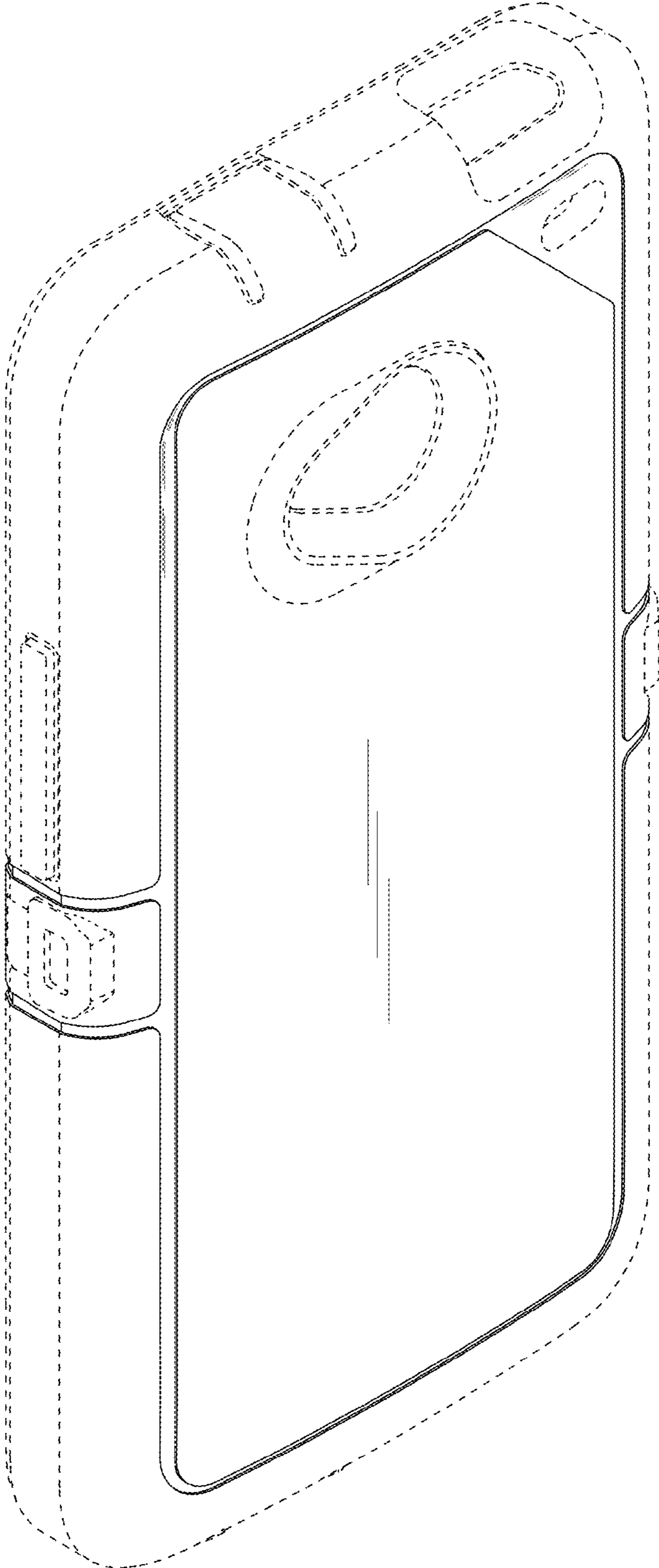


FIG. 5