



US00D698334S

(12) **United States Design Patent**
Fujioka

(10) **Patent No.:** **US D698,334 S**
(45) **Date of Patent:** **** Jan. 28, 2014**

(54) **HEADPHONES**

(71) Applicant: **Fuhu Holdings, Inc.**, El Segundo, CA
(US)

(72) Inventor: **Robb Fujioka**, Manhattan Beach, CA
(US)

(**) Term: **14 Years**

(21) Appl. No.: **29/439,704**

(22) Filed: **Dec. 13, 2012**

(51) **LOC (10) Cl.** **14-01**

(52) **U.S. Cl.**

USPC **D14/205**

(58) **Field of Classification Search**

USPC D14/205, 223; 181/129, 130, 135;
379/430, 431; 381/380, 381; 455/90.3,
455/575.1

See application file for complete search history.

(56) **References Cited**

U.S. PATENT DOCUMENTS

D337,115	S *	7/1993	Yamazaki et al.	D14/205
D351,172	S *	10/1994	Nakamura et al.	D14/205
D386,181	S *	11/1997	Fisher	D14/205
D430,140	S *	8/2000	Roman	D14/205
D439,574	S *	3/2001	Katayama	D14/203.5
D457,512	S *	5/2002	Yoneda	D14/205
D491,163	S *	6/2004	Green	D14/205
7,072,483	B2 *	7/2006	Lenhard-Backhaus	381/383
D534,155	S *	12/2006	Obata	D14/205
D540,301	S *	4/2007	Obata	D14/205
D557,684	S *	12/2007	Pundsack et al.	D14/205
D563,382	S *	3/2008	Wikel	D14/205
7,388,960	B2 *	6/2008	Kuo et al.	381/186
D573,581	S *	7/2008	Gondo et al.	D14/205
D583,800	S *	12/2008	Jaakkola et al.	D14/205
D593,995	S *	6/2009	Shimizu	D14/205
7,551,748	B2 *	6/2009	Kamo et al.	381/380
D617,770	S *	6/2010	Sanguinetti et al.	D14/205

(Continued)

Primary Examiner — Paula Greene

(74) *Attorney, Agent, or Firm* — Manatt, Phelps & Phillips, LLP

(57) **CLAIM**

The ornamental design for headphones, as shown and described.

DESCRIPTION

FIG. 1 is a perspective view of headphones, according to one embodiment.

FIG. 2 is a second perspective view of the headphones illustrated in FIG. 1, according to one embodiment.

FIG. 3 is a front view of the headphones illustrated in FIG. 1, according to one embodiment.

FIG. 4 is a back view of the headphones illustrated in FIG. 1, according to one embodiment.

FIG. 5 is a side view of the headphones illustrated in FIG. 1, the opposite side view being mirror symmetrical, according to one embodiment.

FIG. 6 is a bottom view of the headphones illustrated in FIG. 1, according to one embodiment.

FIG. 7 is a top view of the headphones illustrated in FIG. 1, according to one embodiment.

FIG. 8 is a perspective view of headphones, according to a second embodiment.

FIG. 9 is a second perspective view of the headphones illustrated in FIG. 8, according to the second embodiment.

FIG. 10 is a front view of the headphones illustrated in FIG. 8, according to the second embodiment.

FIG. 11 is a back view of the headphones illustrated in FIG. 8, according to the second embodiment.

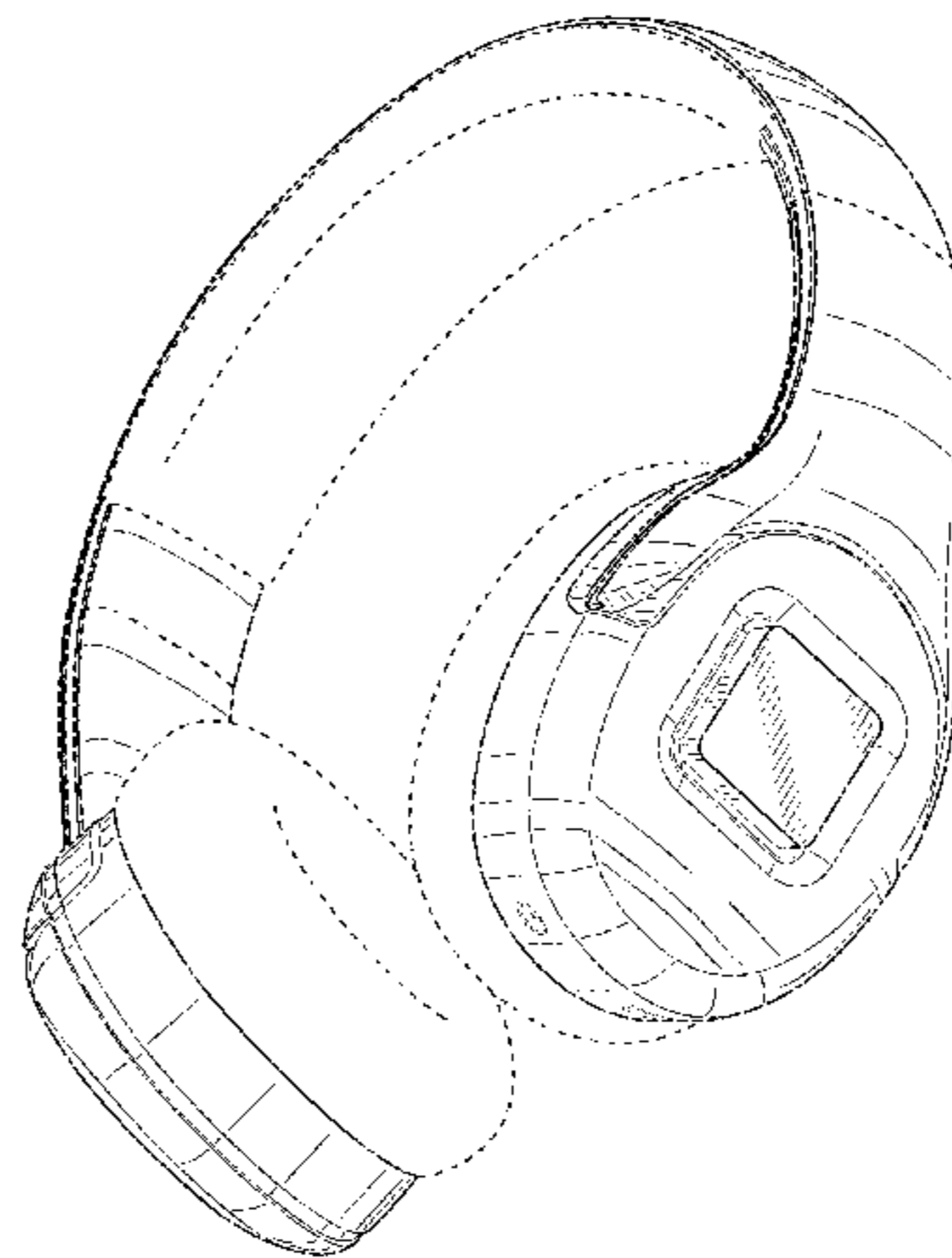
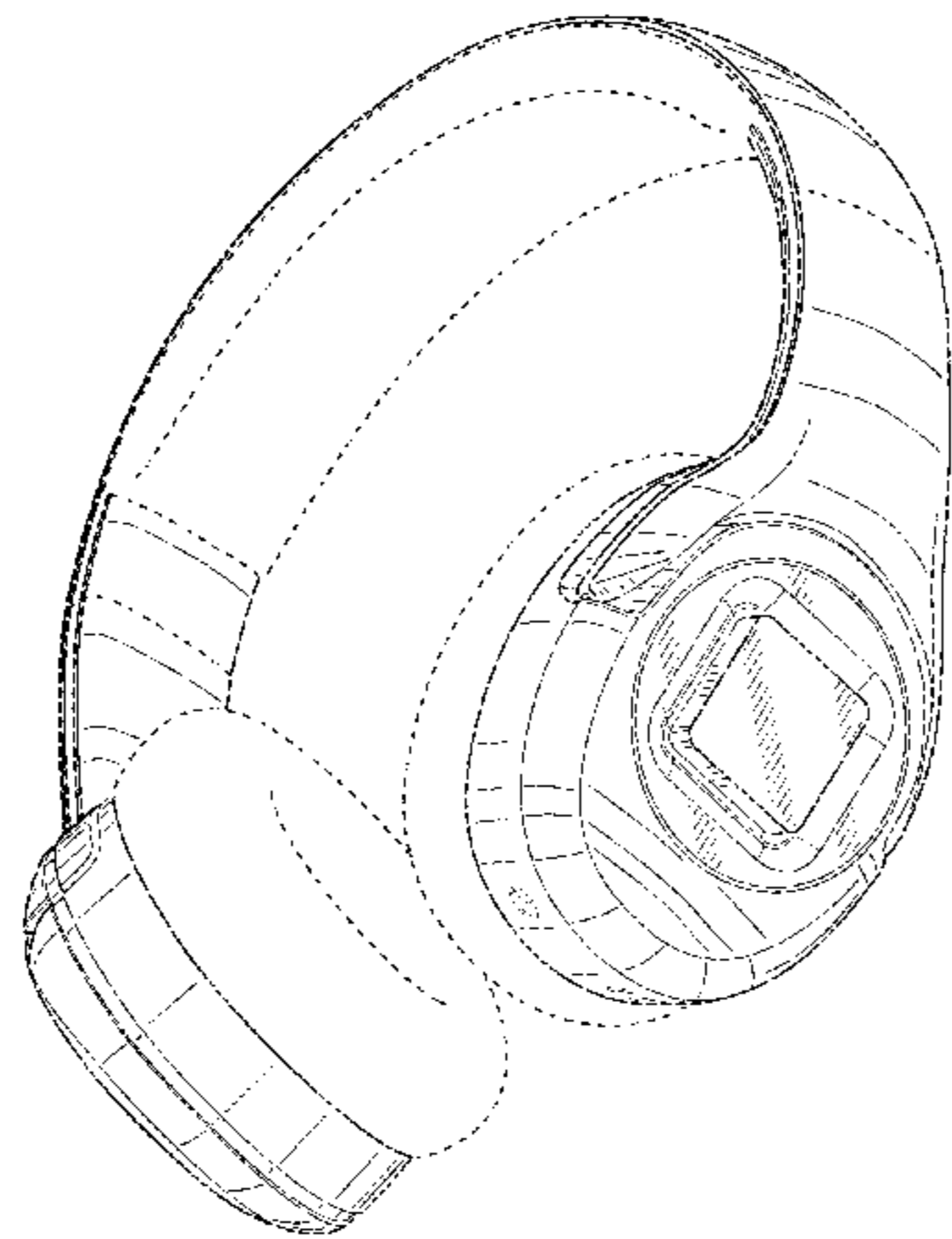
FIG. 12 is a side view of the headphones illustrated in FIG. 8, the opposite side view being mirror symmetrical, according to one embodiment.

FIG. 13 is a bottom view of the headphones illustrated in FIG. 8, according to the second embodiment; and,

FIG. 14 is a top view of the headphones illustrated in FIG. 8, according to the second embodiment.

The broken lines are for illustrative purposes only and form no part of the claimed design.

1 Claim, 10 Drawing Sheets



(56)

References Cited

U.S. PATENT DOCUMENTS

D625,705 S *	10/2010	Ohuri et al.	D14/205	D673,136 S *	12/2012	Kelly et al.	D14/205
D632,668 S *	2/2011	Brunner et al.	D14/205	D673,518 S *	1/2013	Tan	D14/205
D635,959 S *	4/2011	Hutchieson	D14/205	D673,520 S *	1/2013	Tan	D14/205
D637,176 S *	5/2011	Brunner et al.	D14/205	D674,372 S *	1/2013	Kelly et al.	D14/205
D648,318 S *	11/2011	Huang	D14/206	D674,767 S *	1/2013	Brunner et al.	D14/205
D652,017 S *	1/2012	Groves et al.	D14/206	D677,243 S *	3/2013	Kitayama et al.	D14/205
D652,406 S *	1/2012	Lee et al.	D14/205	D677,648 S *	3/2013	Lee et al.	D14/206
8,098,872 B2 *	1/2012	Chang	381/371	D678,860 S *	3/2013	Hagelin	D14/205
D657,344 S *	4/2012	Brunner et al.	D14/205	D683,329 S *	5/2013	Hagelin	D14/205
D660,823 S *	5/2012	Hardi et al.	D14/205	D683,717 S *	6/2013	Kelly et al.	D14/205
D660,824 S *	5/2012	Hardi et al.	D14/205	D684,139 S *	6/2013	Miyake et al.	D14/205
D663,716 S *	7/2012	Hardi et al.	D14/205	D685,345 S *	7/2013	Serota	D14/205
D665,775 S *	8/2012	Katsumata	D14/205	D685,763 S *	7/2013	Lee et al.	D14/205
				D691,109 S *	10/2013	Hardi et al.	D14/205
				D691,579 S *	10/2013	Lee et al.	D14/205
				D691,582 S *	10/2013	Nguyen et al.	D14/205

* cited by examiner

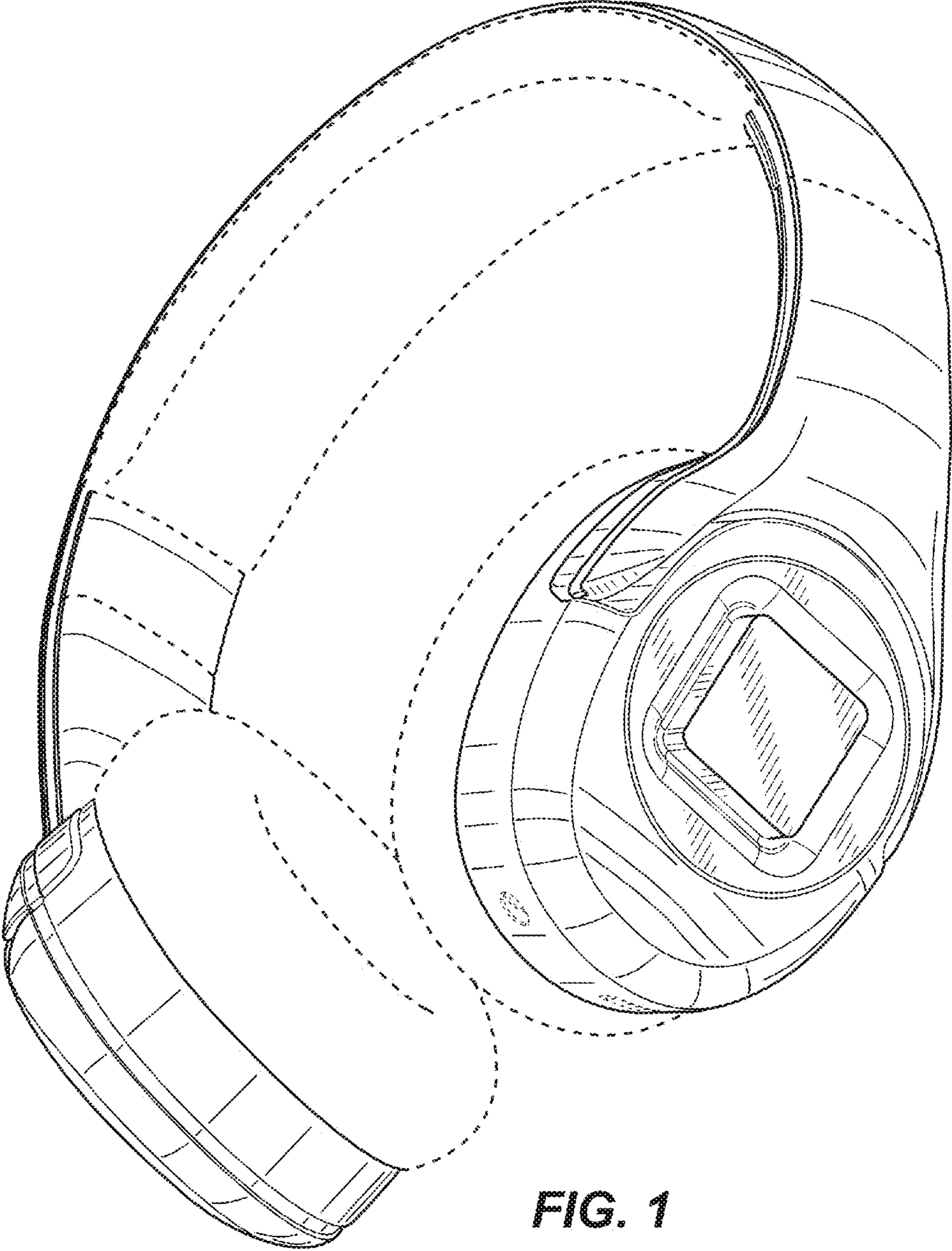


FIG. 1

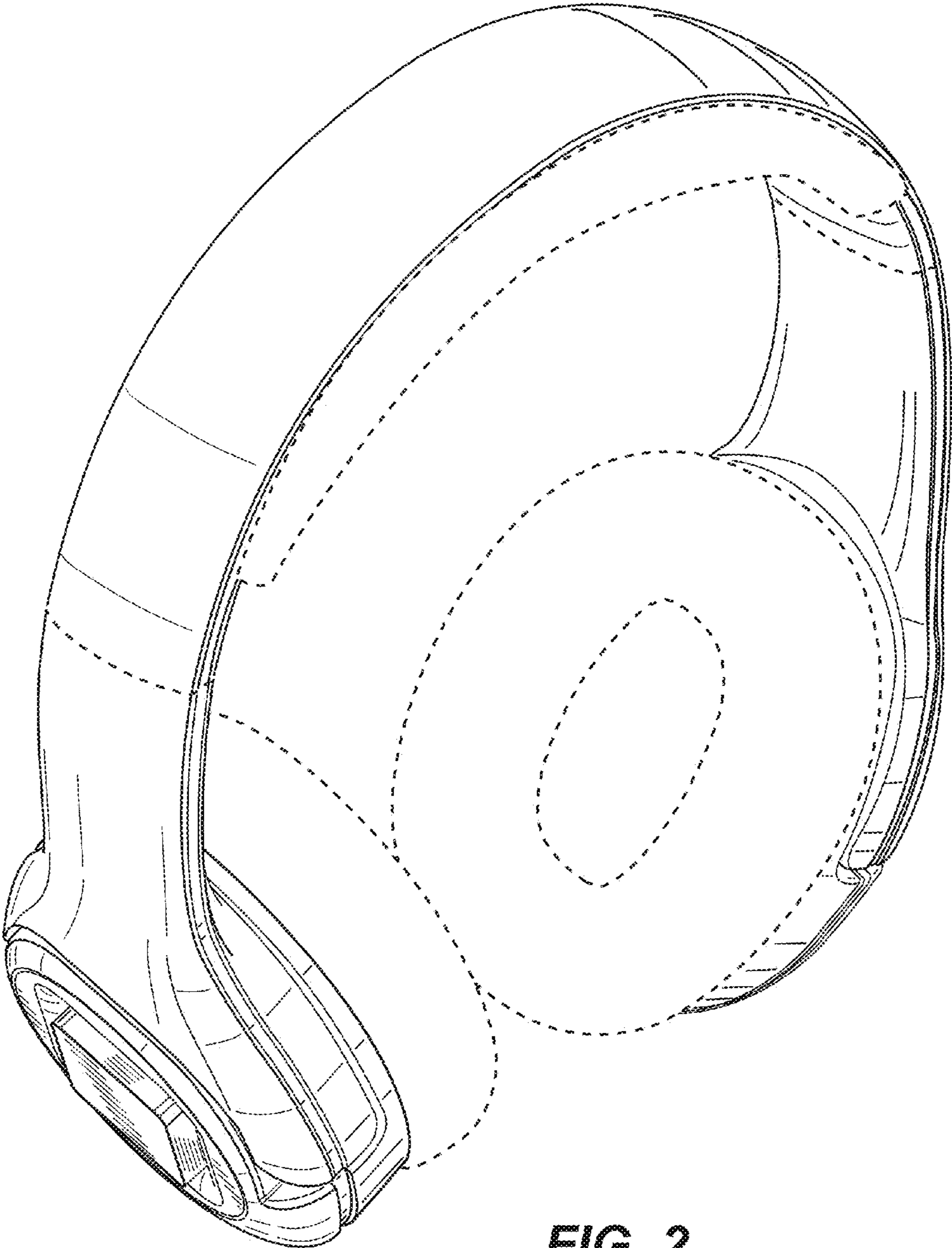


FIG. 2

FIG. 3

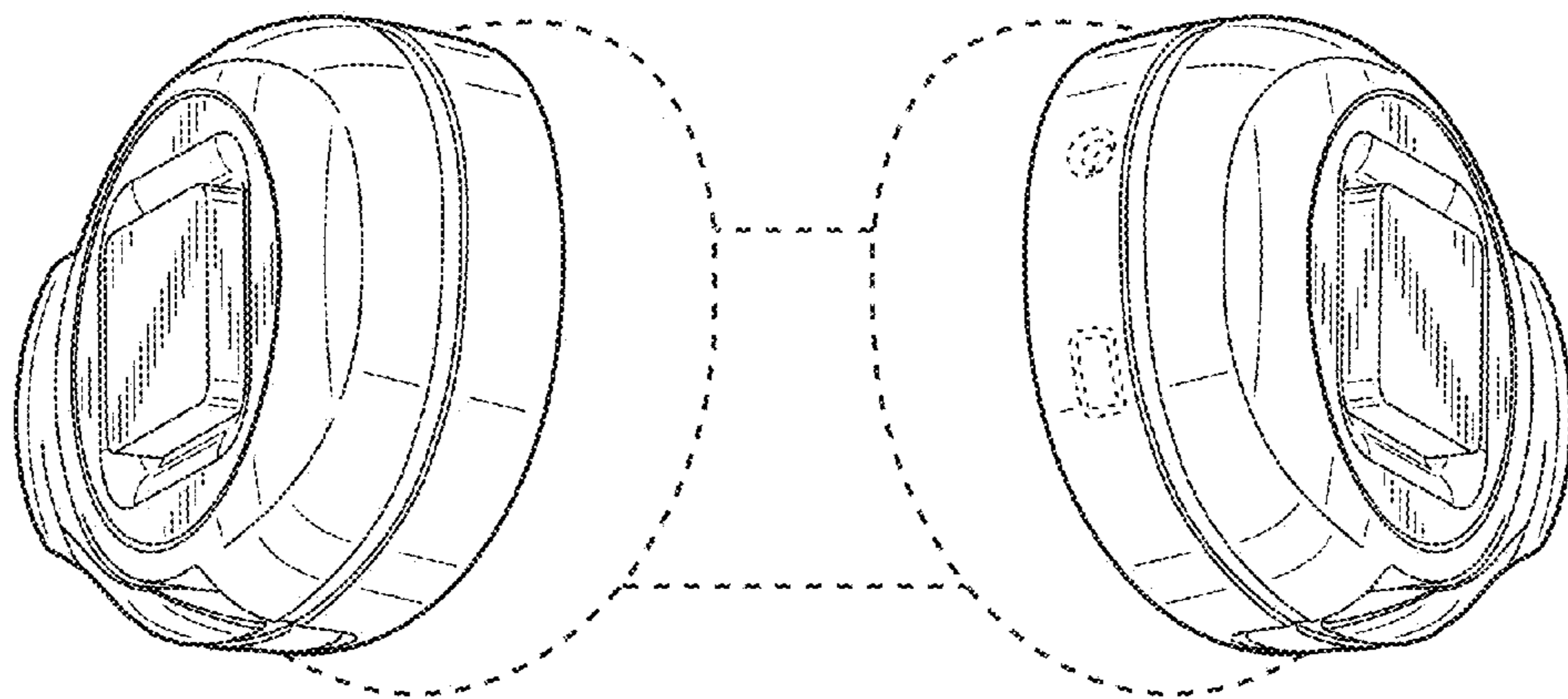
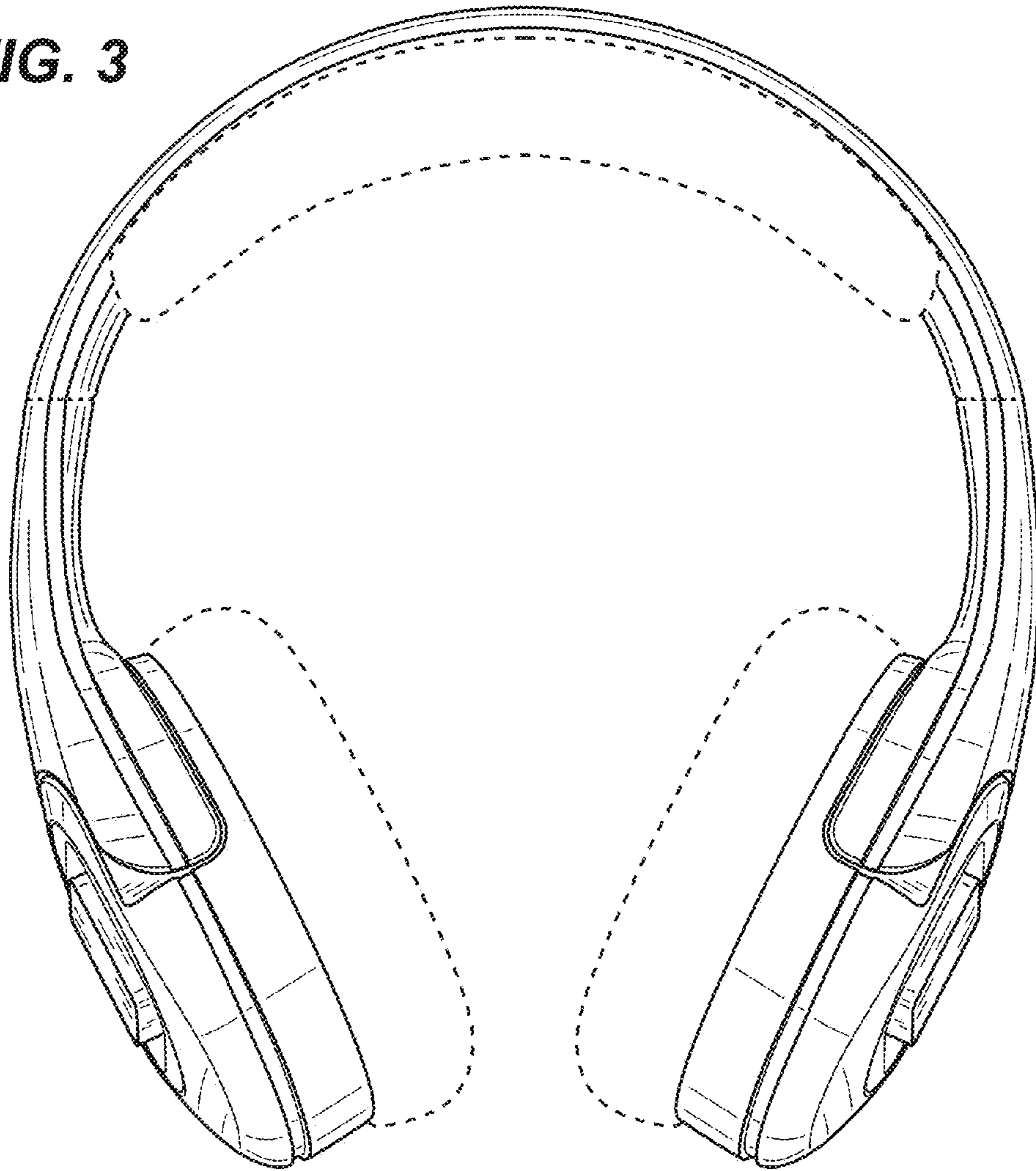


FIG. 6

FIG. 4

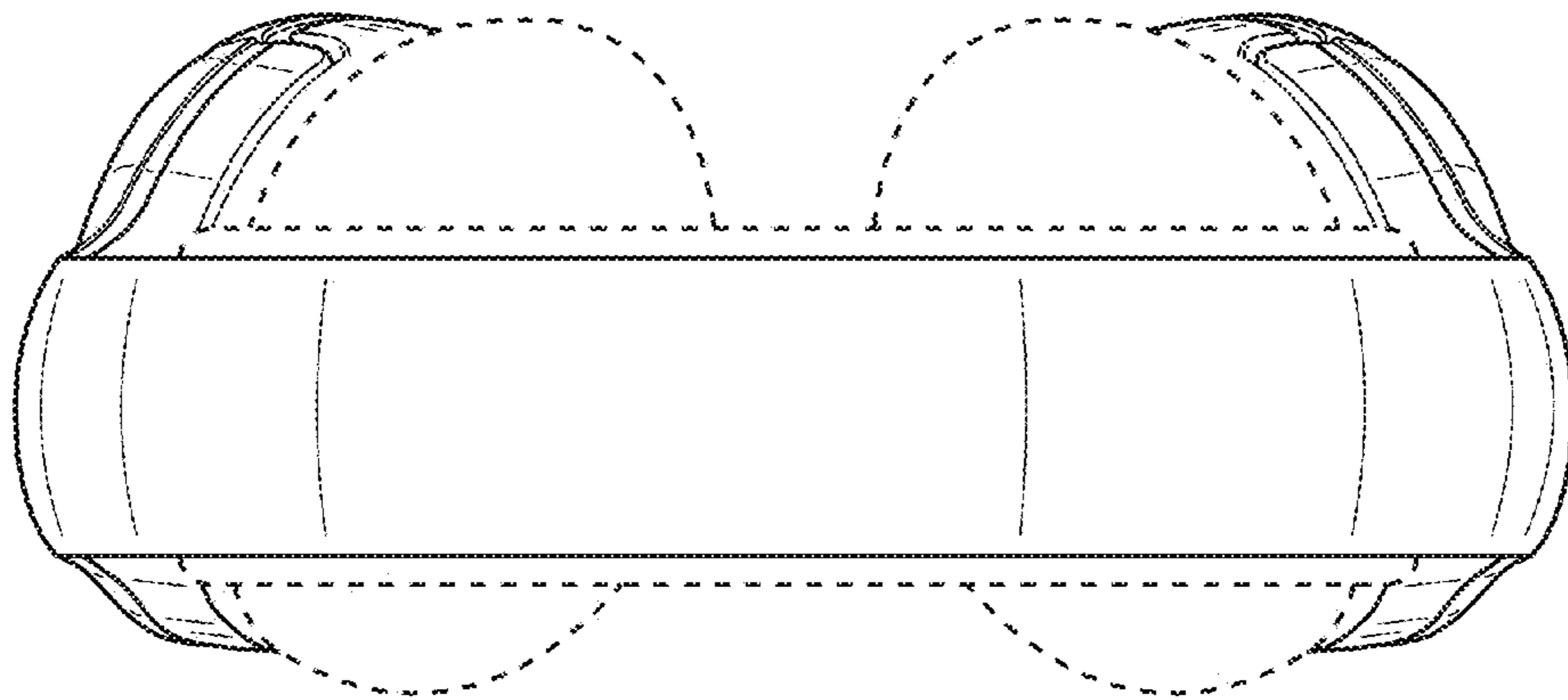
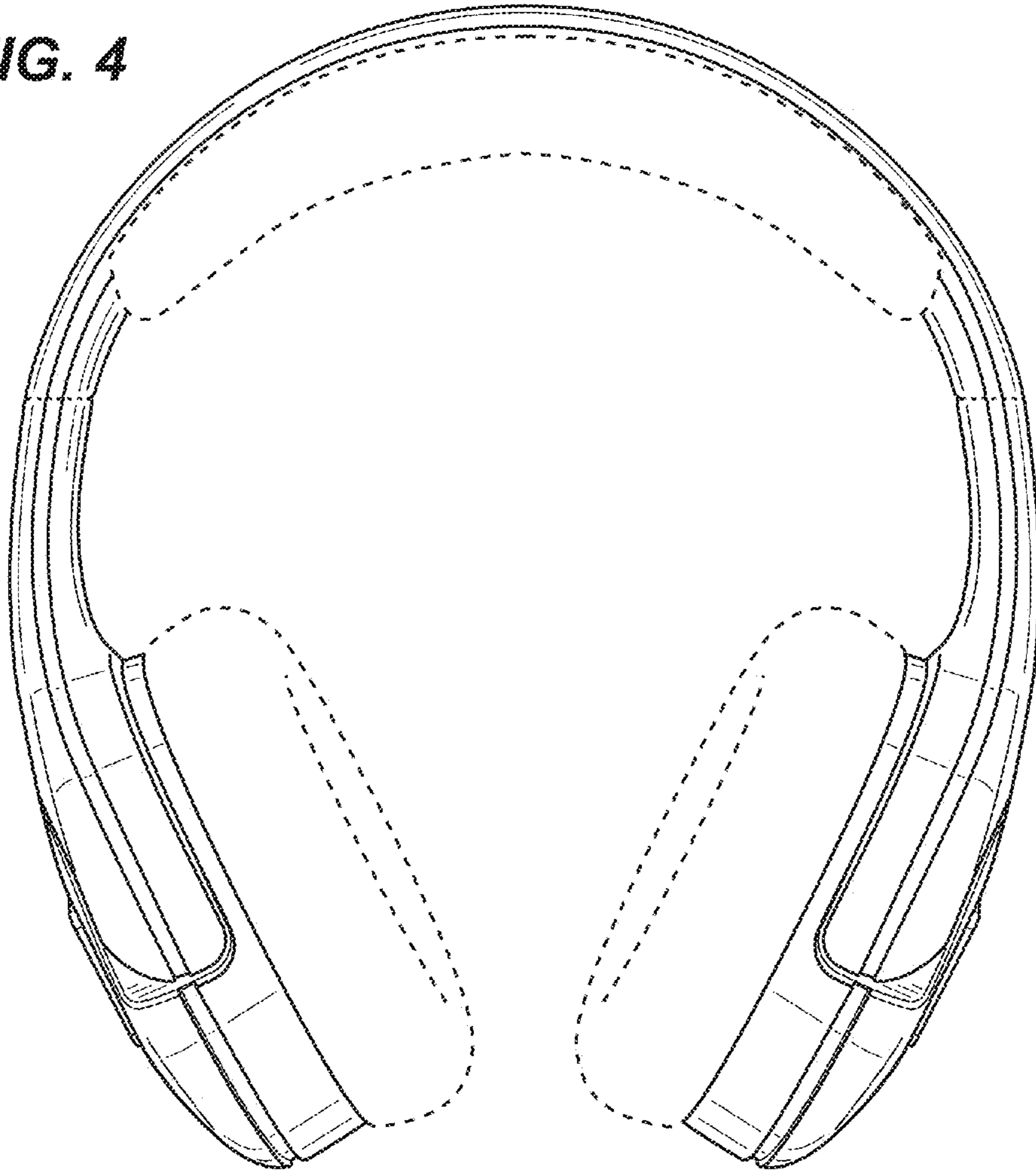


FIG. 7

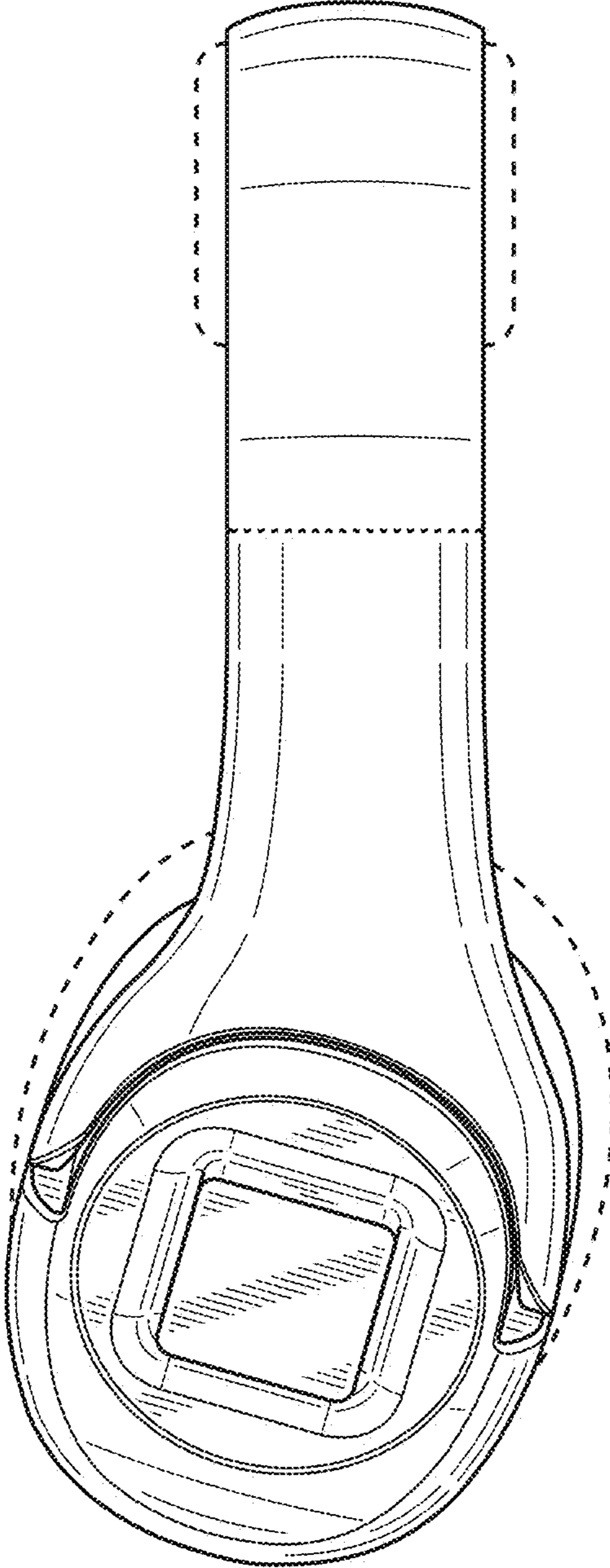


FIG. 5

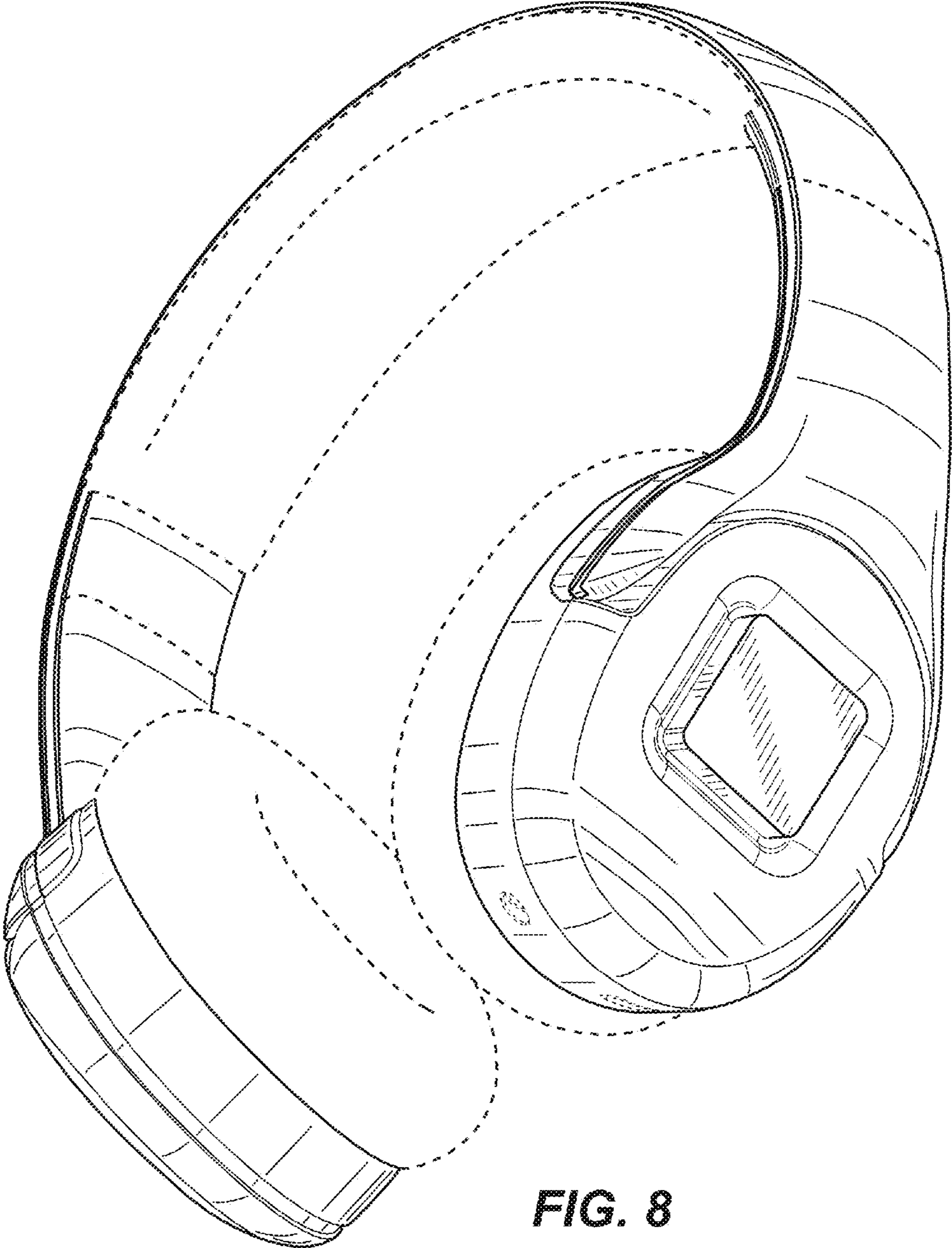


FIG. 8

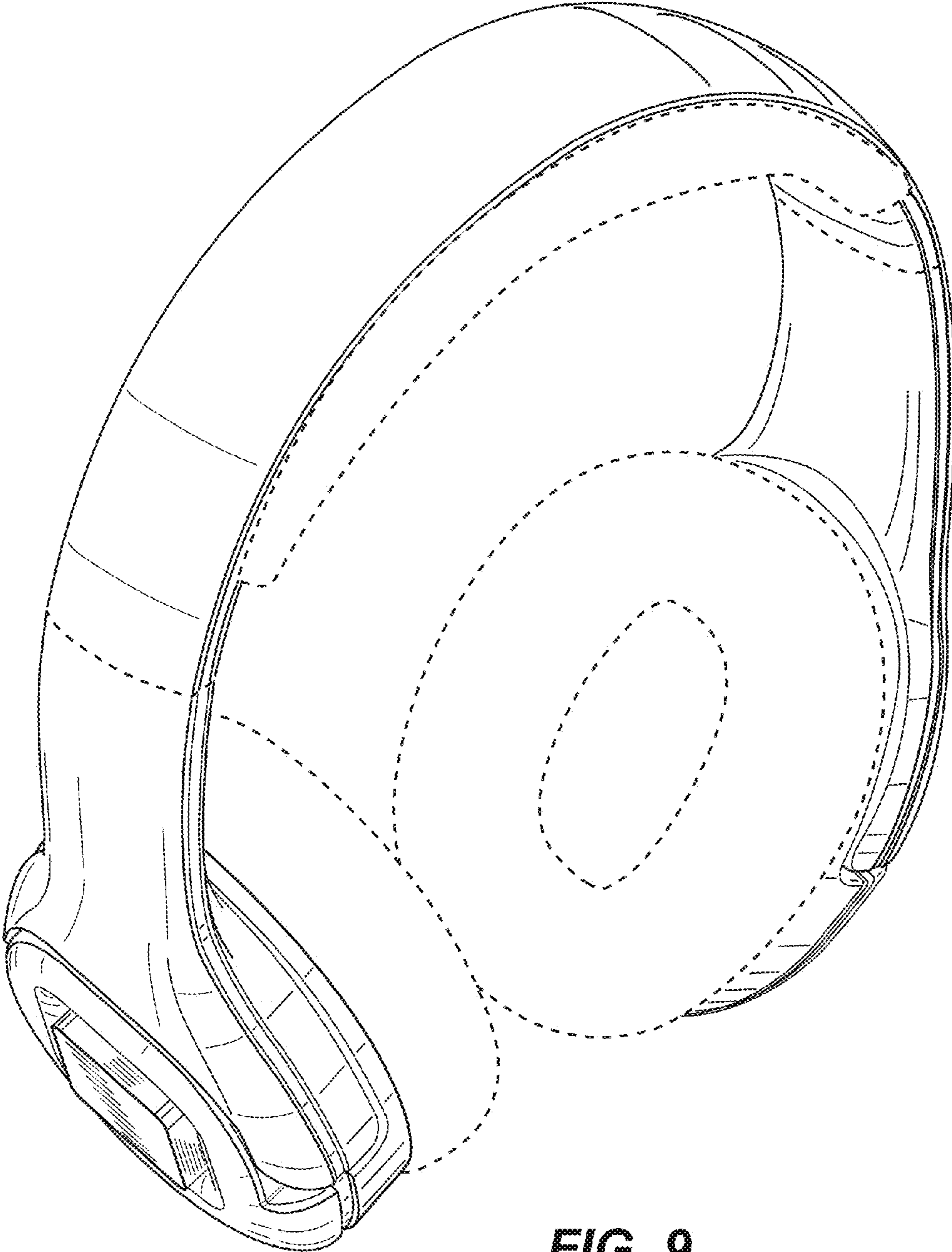


FIG. 9

FIG. 10

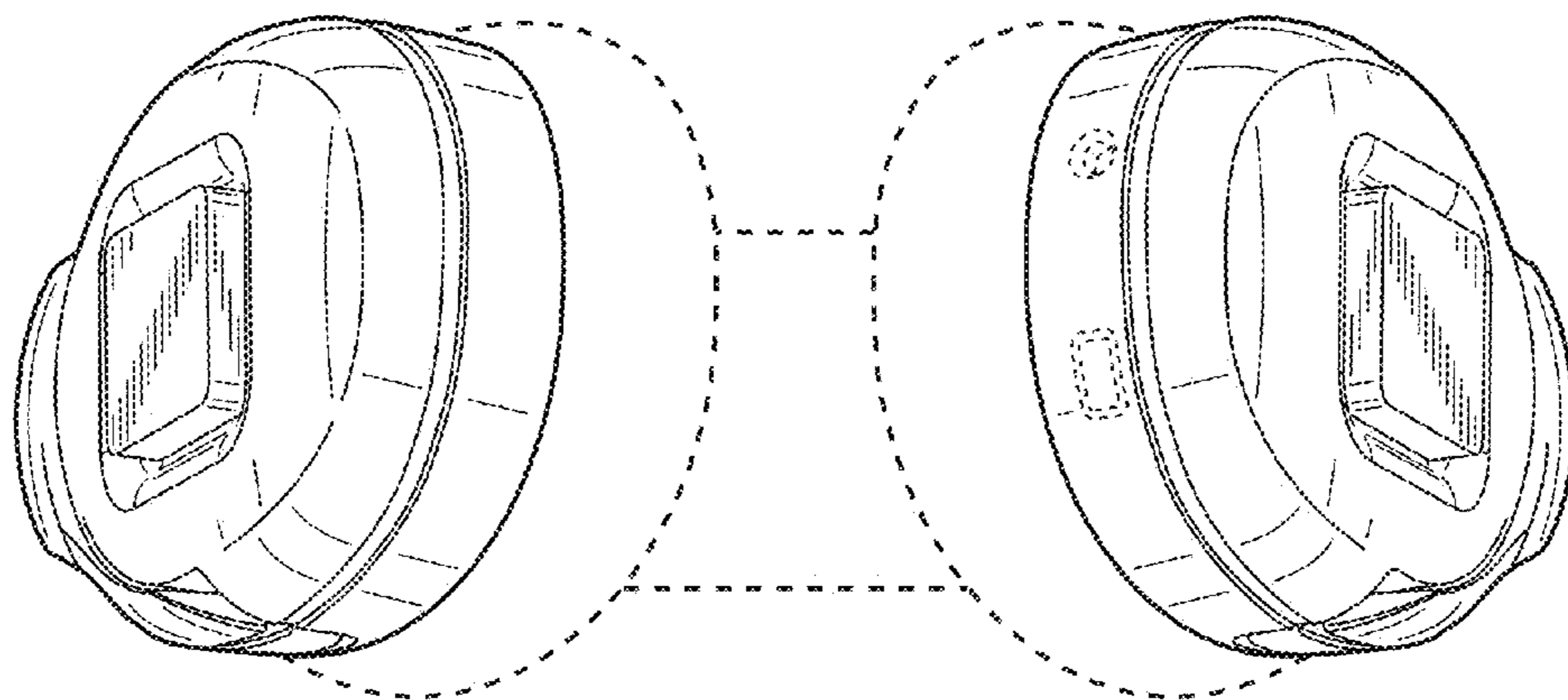
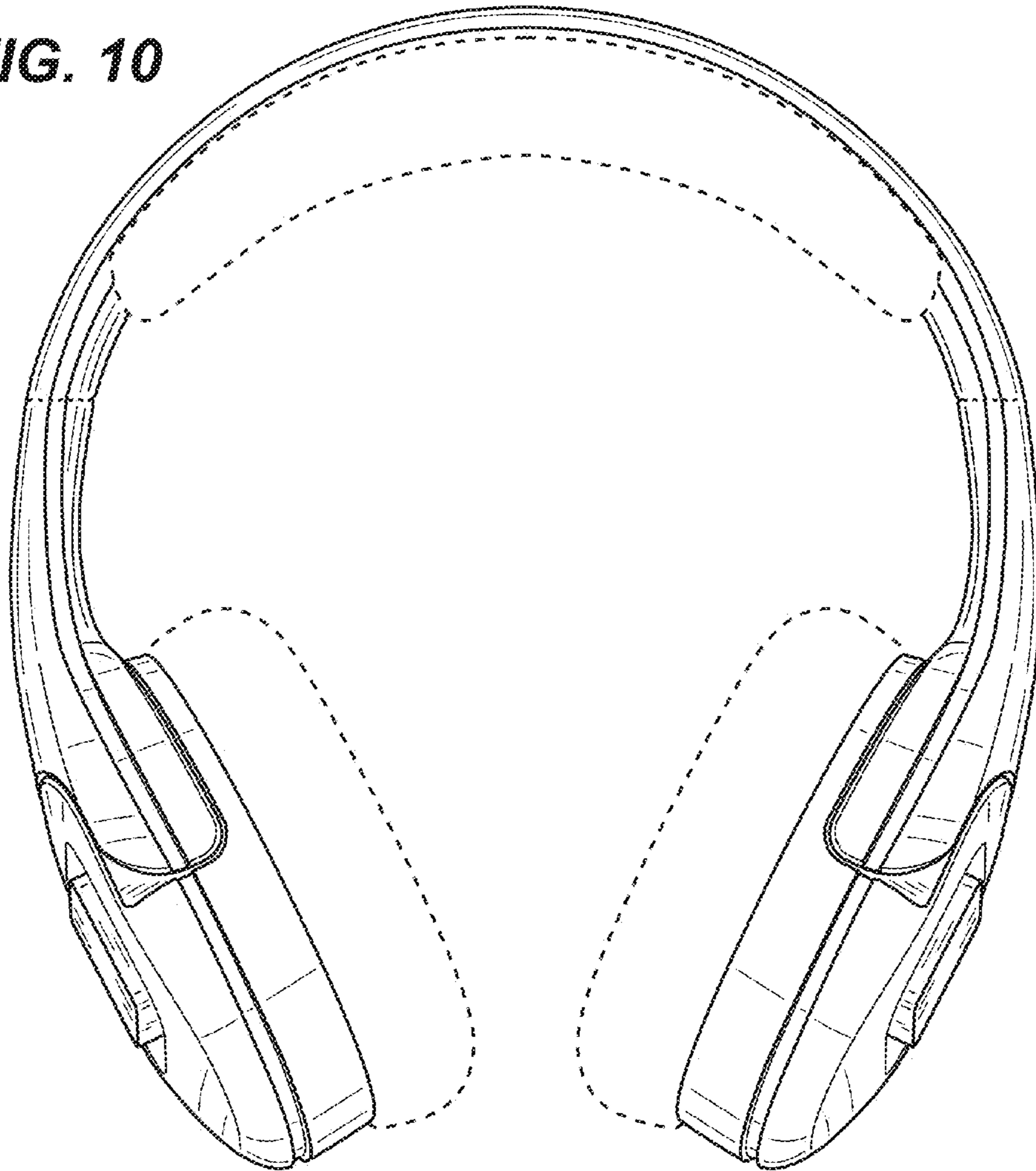


FIG. 13

FIG. 11

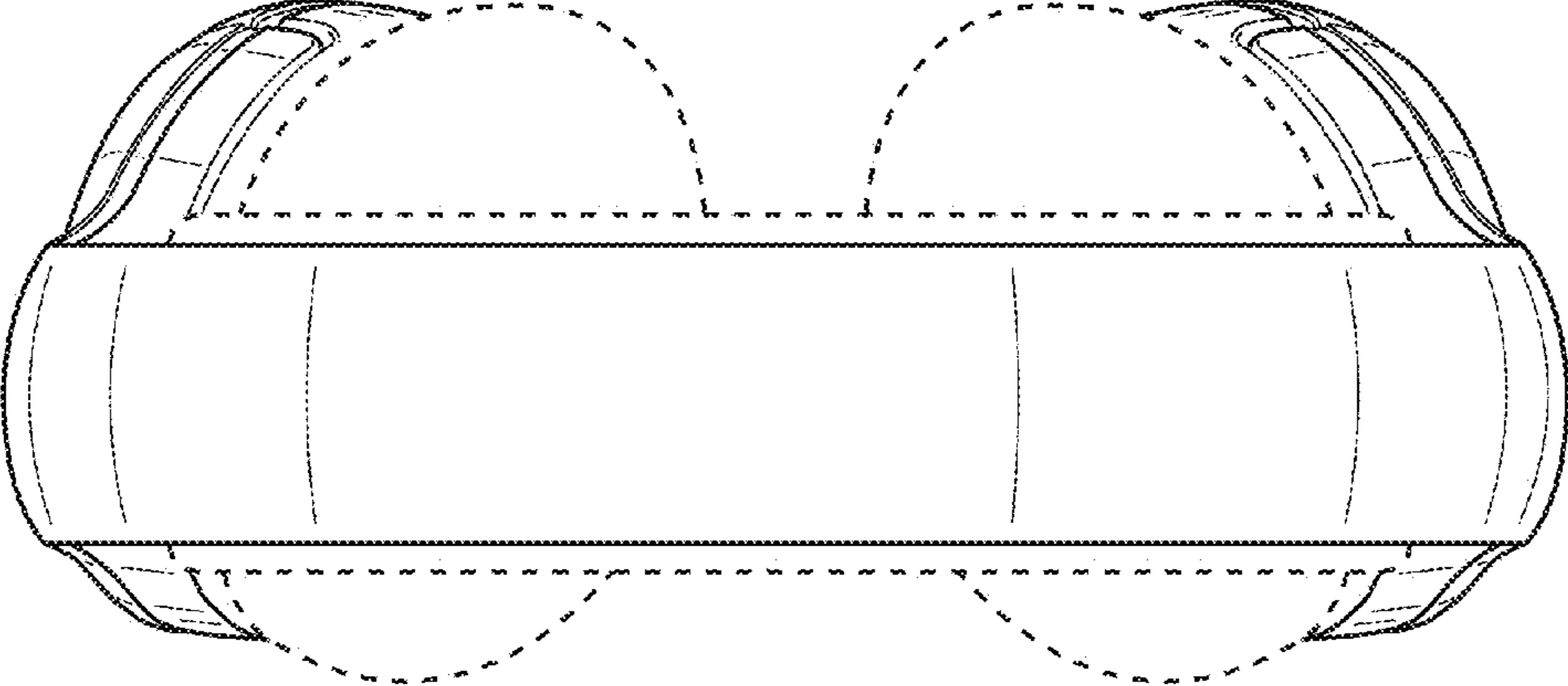
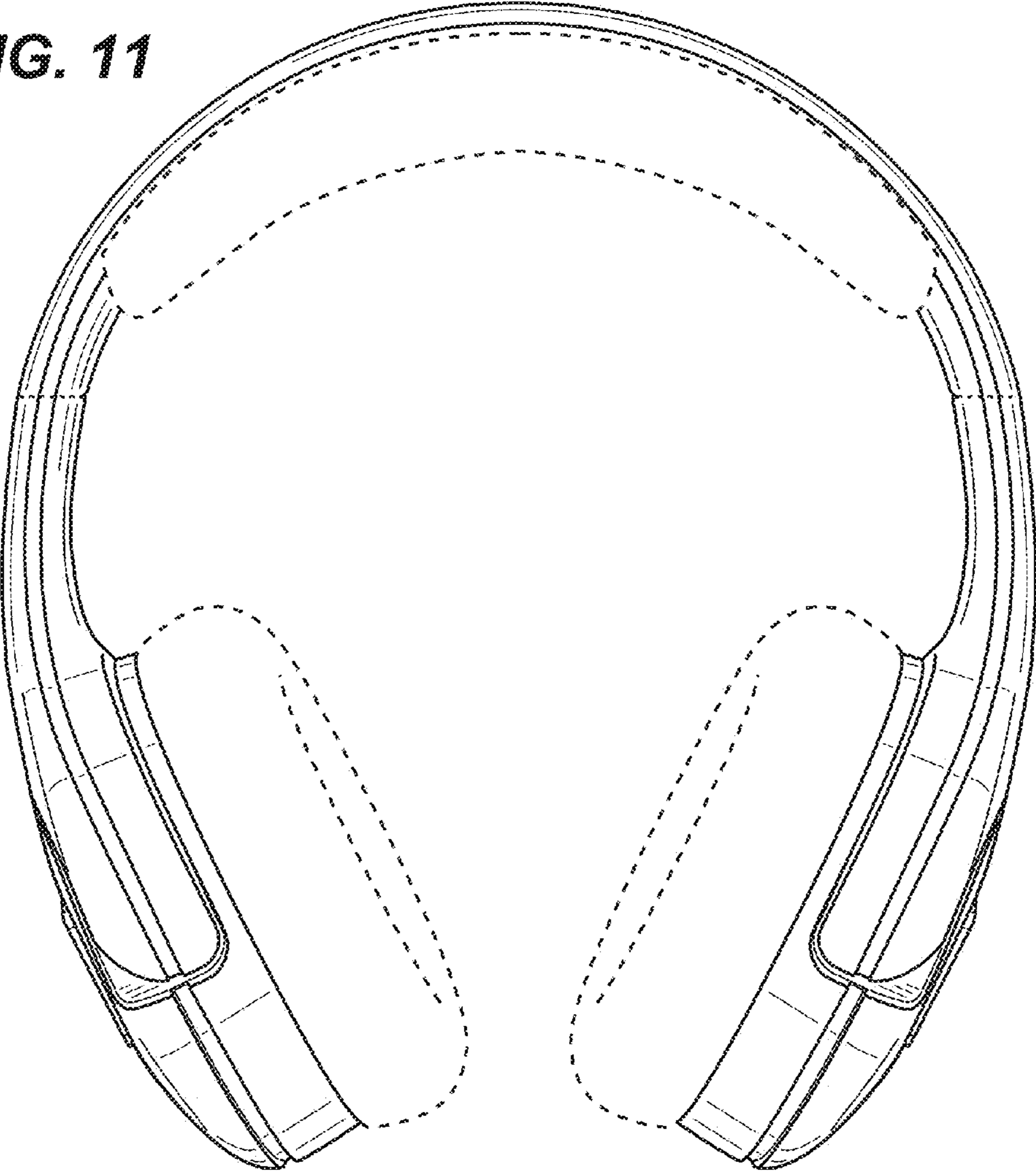


FIG. 14

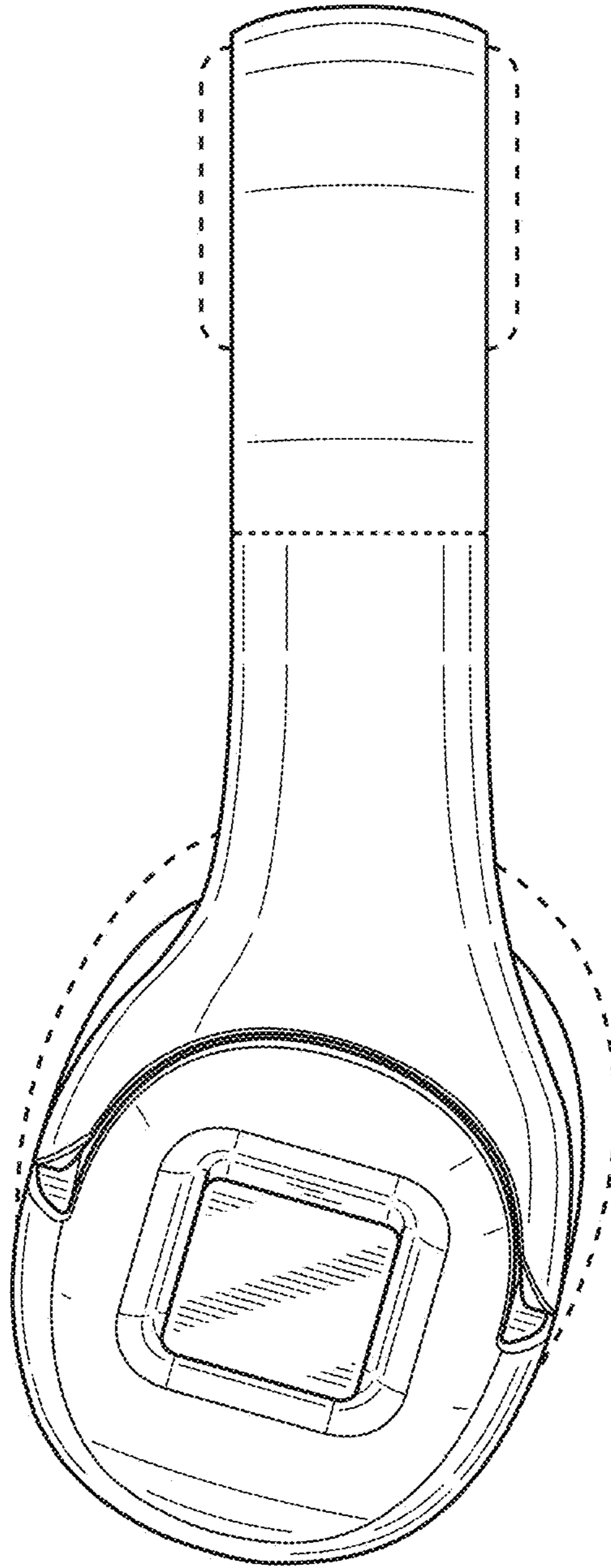


FIG. 12