



US00D698324S

(12) **United States Design Patent**
Lee et al.

(10) **Patent No.:** **US D698,324 S**
(45) **Date of Patent:** **** Jan. 28, 2014**

(54) **TV RECEIVER**

(75) Inventors: **Ok-Keun Lee**, Seoul (KR); **Eui-Seok Kim**, Kyunggi-do (KR); **Jun-Ho Yang**, Kyunggi-do (KR)

(73) Assignee: **Samsung Electronics Co., Ltd.**, Suwon-si, Gyeonggi-do (KR)

(**) **Term:** **14 Years**

(21) **Appl. No.:** **29/426,847**

(22) **Filed:** **Jul. 11, 2012**

(30) **Foreign Application Priority Data**

Jan. 19, 2012 (KR) 30-2012-0002826

(51) **LOC (10) Cl.** **14-03**

(52) **U.S. Cl.**
USPC **D14/126**

(58) **Field of Classification Search**
USPC D14/125-134, 239, 371, 136, 374-377, D14/440, 450, 448, 336, 342, 159, 247; 312/7.2; 348/836, 838, 180, 184, 325, 348/739; 341/12; 248/917-924, 465; 345/104, 133, 156, 168, 87, 173; 720/605, 669, 600, 655; 369/99, 197; D21/329, 515, 577, 622, 333, 433, 448, D21/452, 450, 331; D6/477, 479, 300; 273/148 B; 446/484, 175, 356; D10/15, D10/26; D13/125, 158-177, 184, 199; 200/310, 314, 329, 4, 406, 524, 530, 200/532, 535, 536, 6 A, 81 R

See application file for complete search history.

(56) **References Cited**

U.S. PATENT DOCUMENTS

4,476,355 A * 10/1984 Mital 200/5 A
5,134,259 A * 7/1992 Page, Jr. 200/341
D366,027 S * 1/1996 Van Hout D13/162

D469,411 S * 1/2003 Decosse D13/174
D554,074 S * 10/2007 Laurent et al. D13/164
D554,076 S * 10/2007 Laurent et al. D13/164
D559,800 S * 1/2008 Neveu et al. D13/174
D578,080 S * 10/2008 Whang et al. D13/174
D602,881 S * 10/2009 Lando et al. D13/171
D629,766 S * 12/2010 Stepanian D13/174
8,044,314 B2 * 10/2011 Weber et al. 200/341
8,071,902 B2 * 12/2011 Ichikawa et al. 200/341
8,232,493 B2 * 7/2012 Ichikawa et al. 200/341

OTHER PUBLICATIONS

U.S. Appl. No. 29/426,408, Applicant: Ok-Keun Lee, et al., filed Jul. 5, 2012 entitled TV Receiver.

* cited by examiner

Primary Examiner — Randall Gholson

(74) *Attorney, Agent, or Firm* — Flynn, Thiel, Boutell & Tanis, P.C.

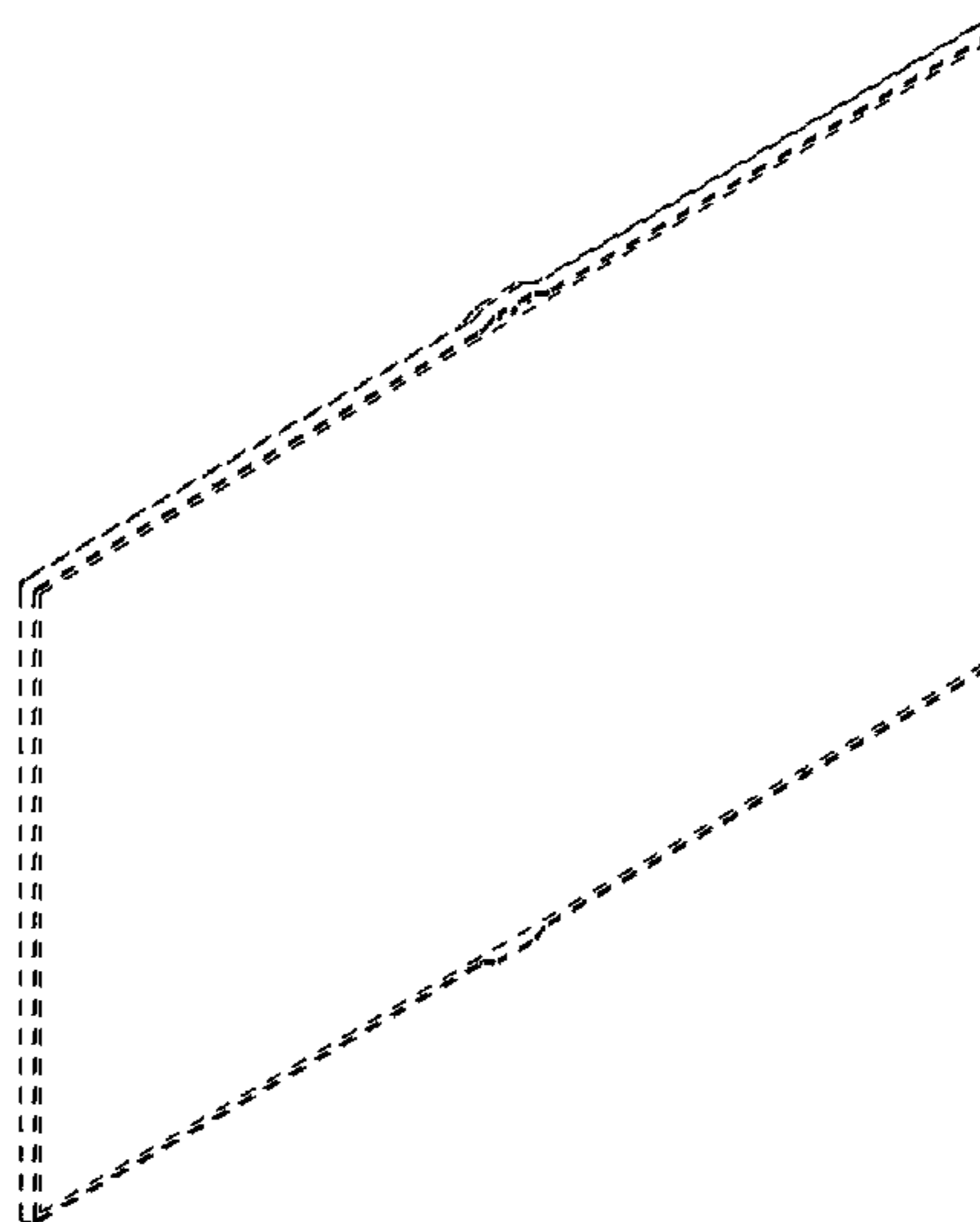
(57) **CLAIM**

The ornamental design for a TV receiver, as shown and described.

DESCRIPTION

FIG. 1 is a top front perspective view of a TV receiver showing our new design;
FIG. 2 is a front elevational view thereof;
FIG. 3 is a rear elevational view thereof;
FIG. 4 is a left side elevational view thereof;
FIG. 5 is a right side elevational view thereof;
FIG. 6 is a top plan view thereof;
FIG. 7 is a bottom plan view thereof;
FIG. 8 is an enlarged detail view of the bottom of the TV receiver as shown in FIG. 3;
FIG. 9 is a fragmentary and enlarged cross-sectional view as seen generally along line 9-9 in FIG. 8; and,
FIG. 10 is a rear perspective view thereof.
The broken lines depict environmental subject matter only and form no part of the claimed design.

1 Claim, 5 Drawing Sheets



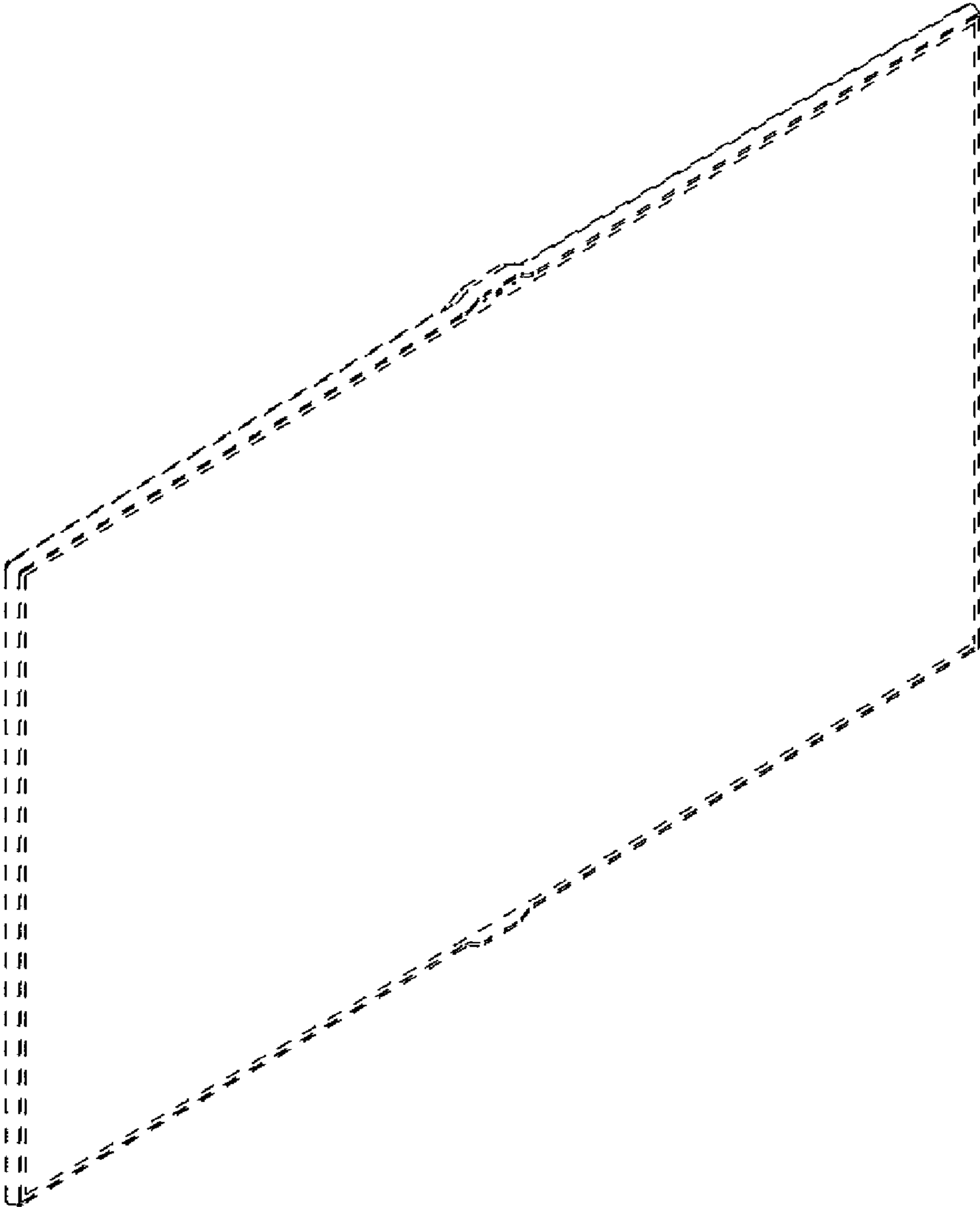


FIG. 1

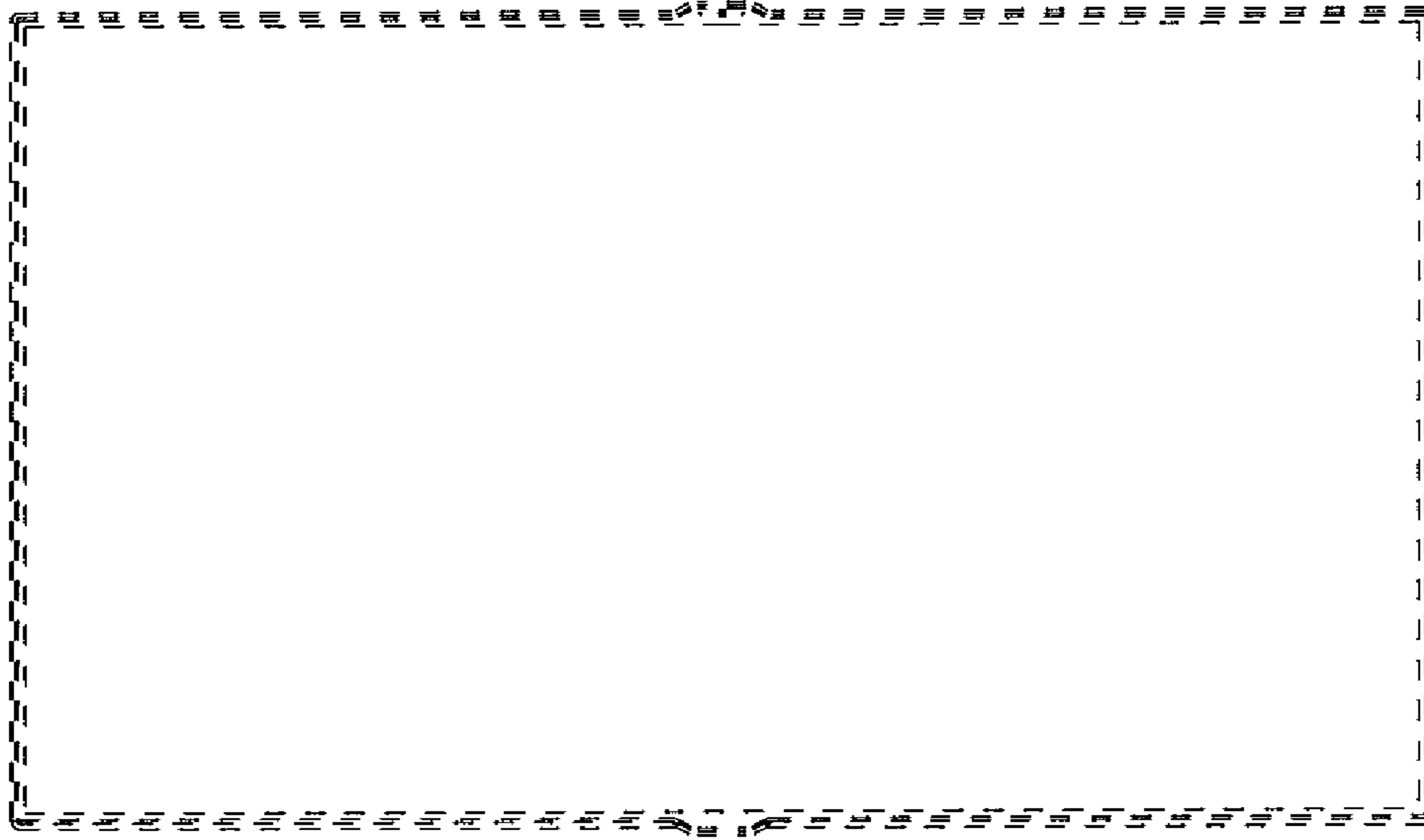


FIG. 2

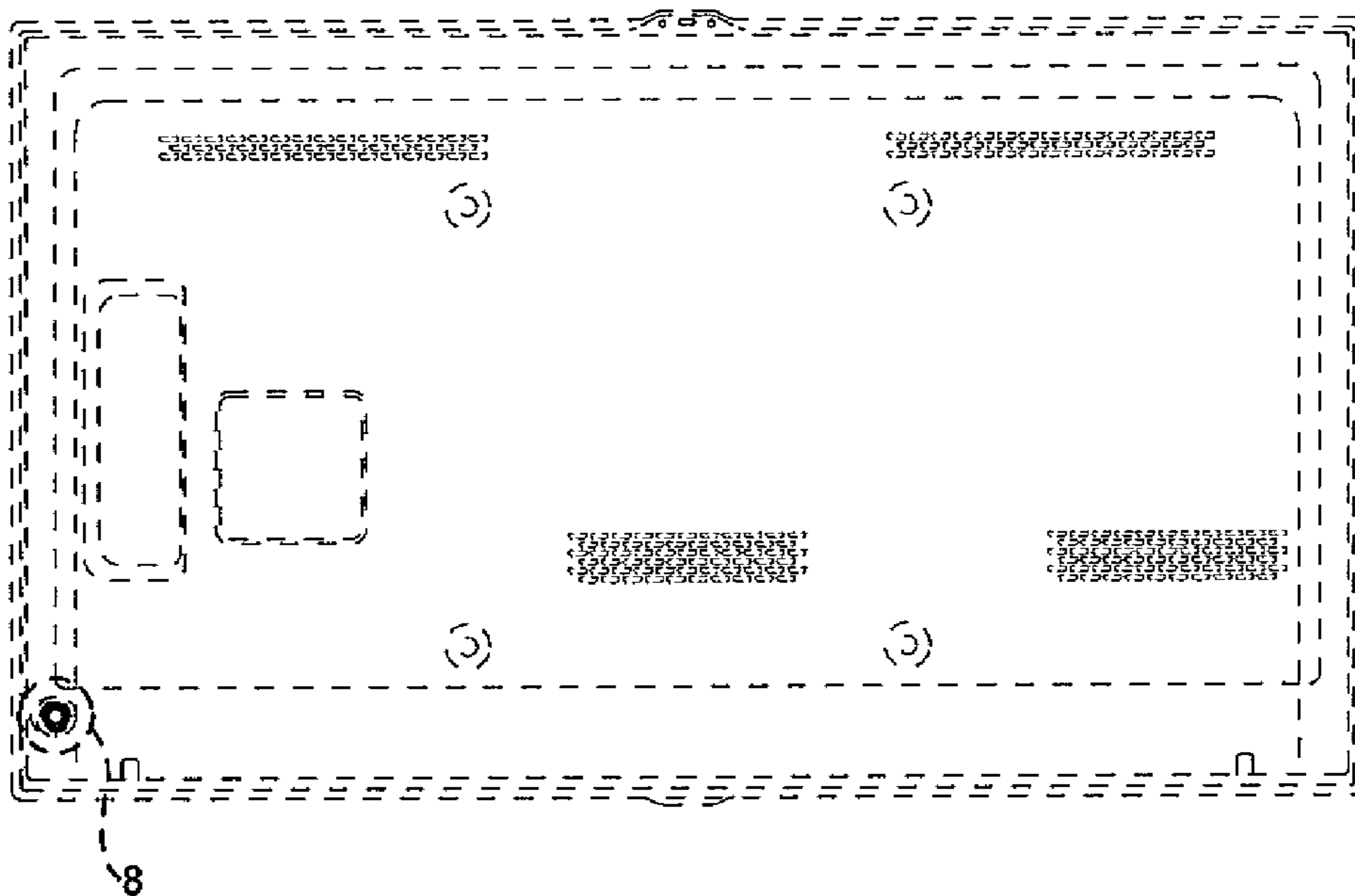


FIG. 3



FIG. 4

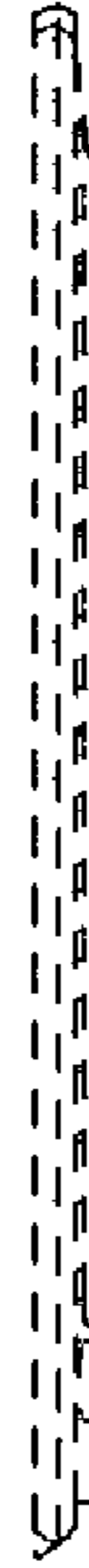


FIG. 5

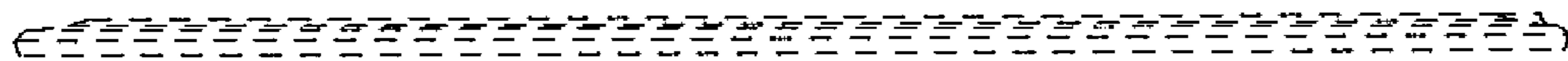


FIG. 6

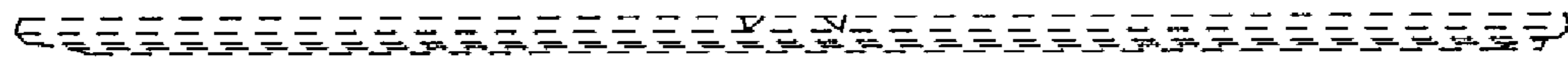


FIG. 7

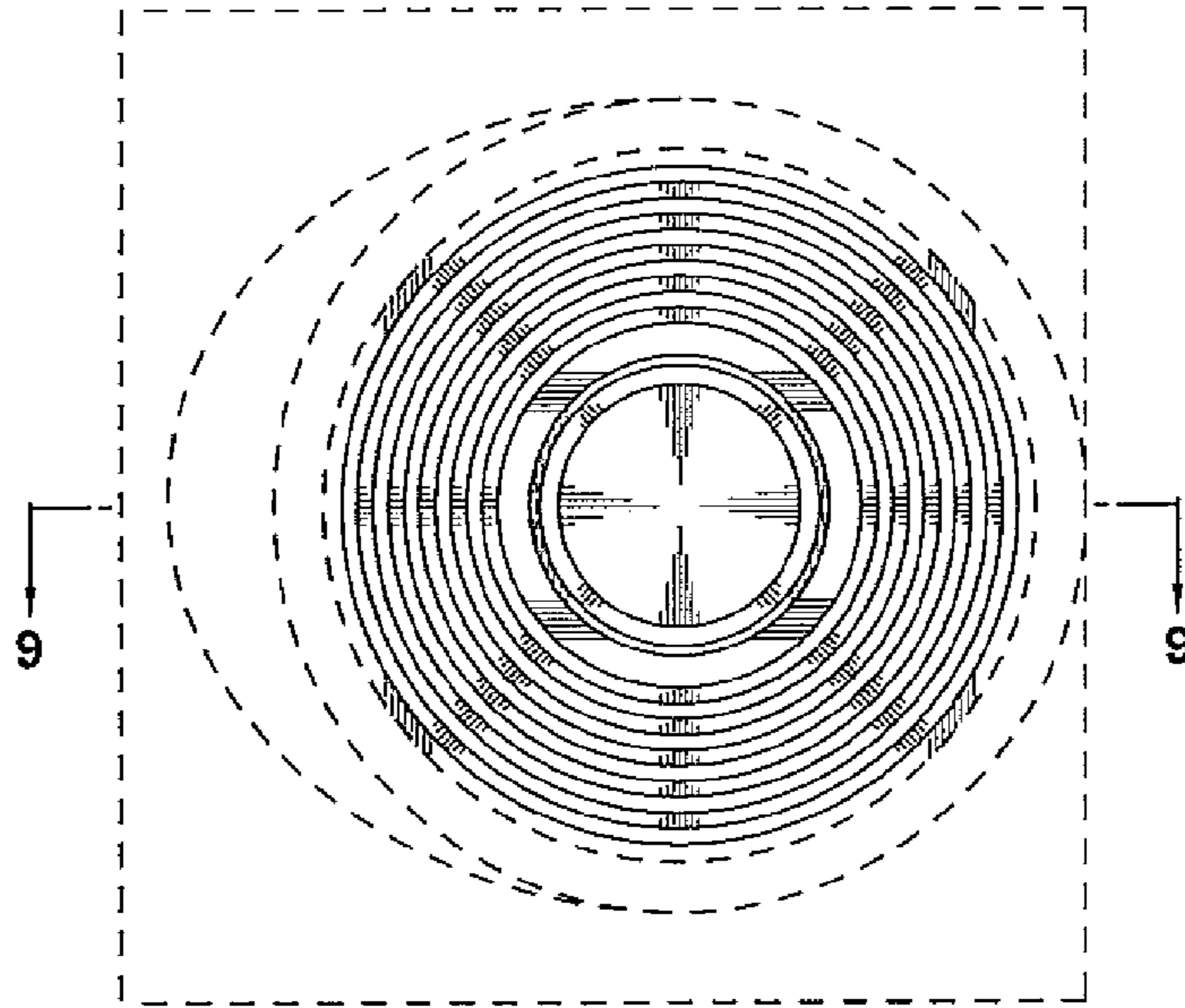


FIG. 8

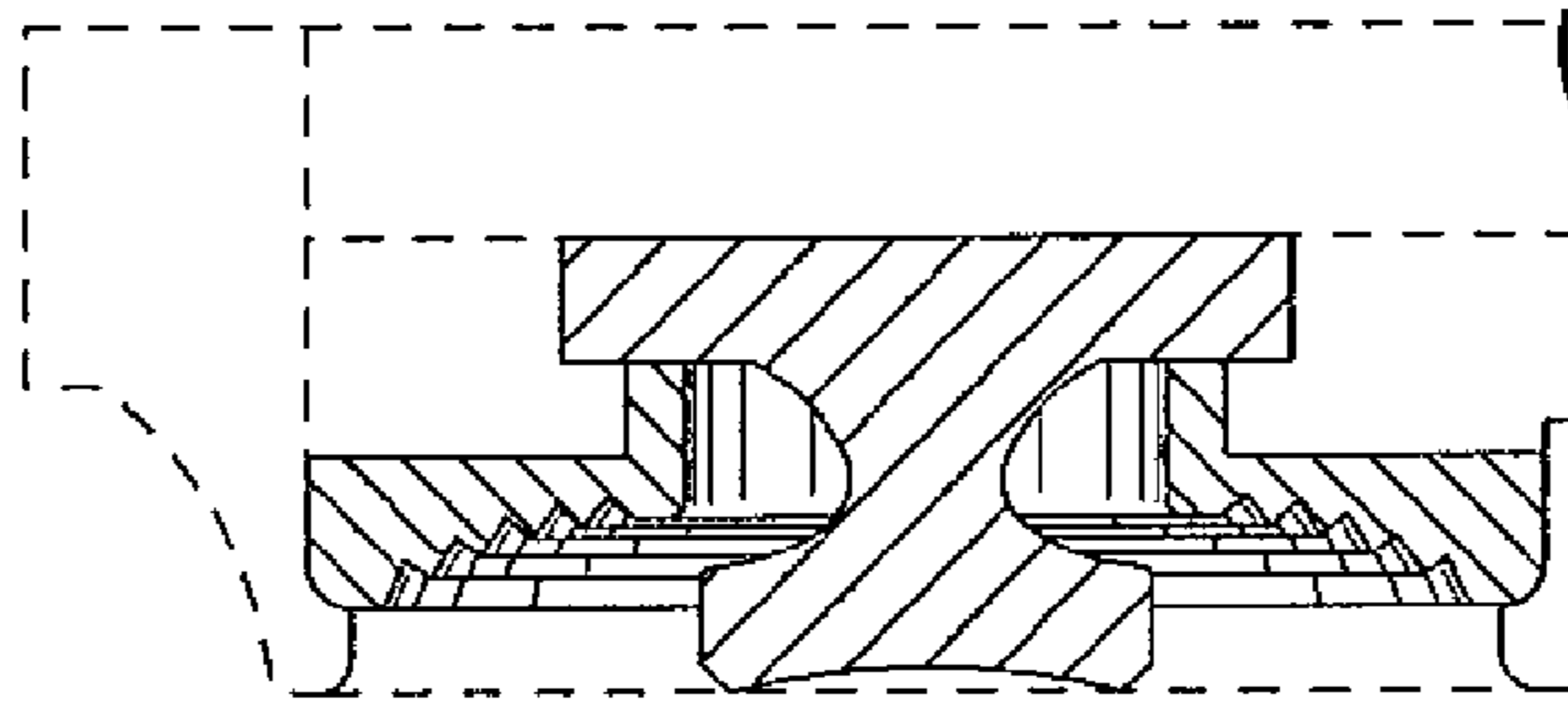


FIG. 9

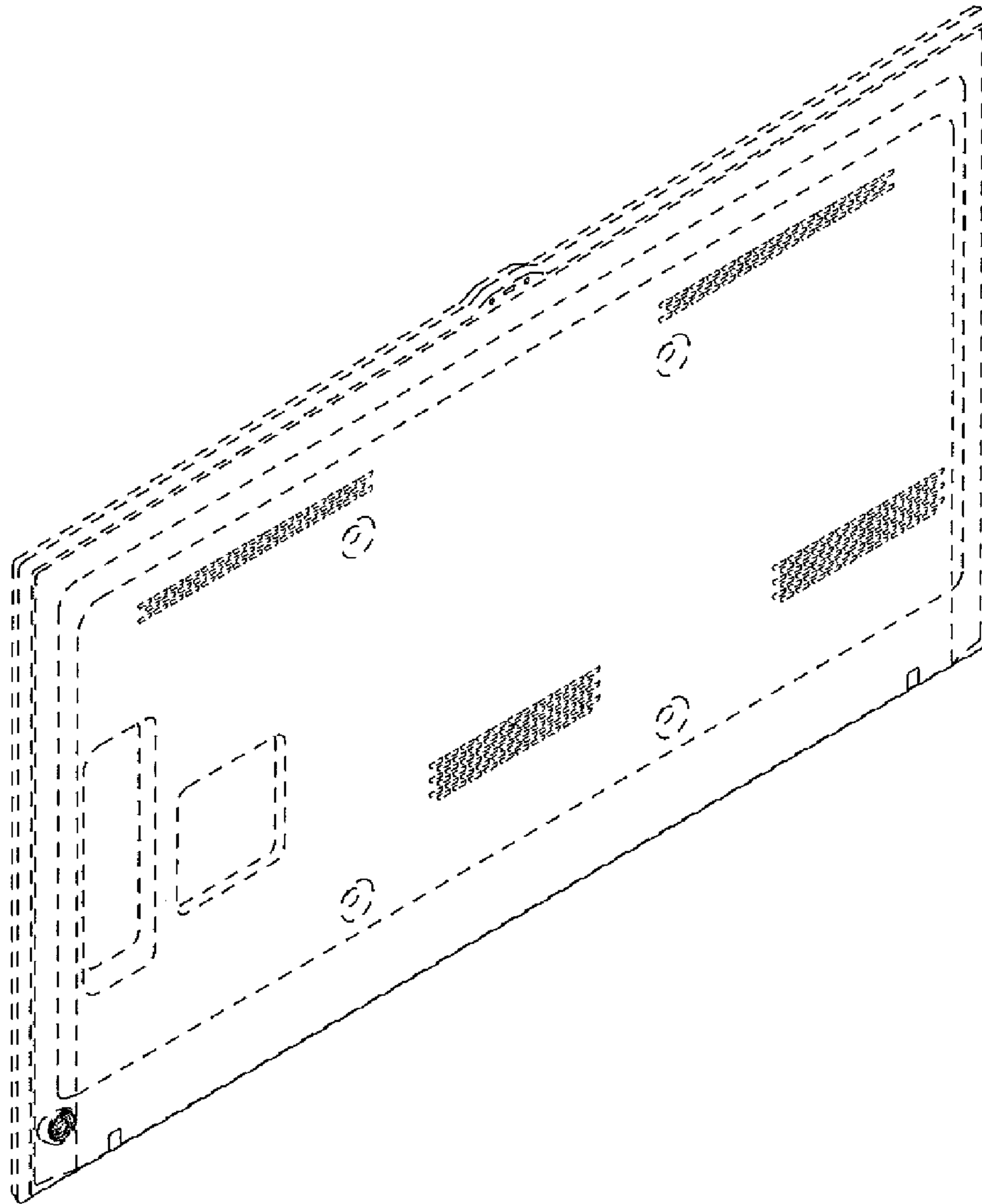


FIG. 10