

US00D698323S

(12) **United States Design Patent**
Noichi

(10) **Patent No.:** **US D698,323 S**
(45) **Date of Patent:** **** Jan. 28, 2014**

- (54) **LIGHT EMITTING DIODE**
- (71) Applicant: **Nichia Corporation**, Anan (JP)
- (72) Inventor: **Takuya Noichi**, Tokushima (JP)
- (73) Assignee: **Nichia Corporation** (JP)
- (**) Term: **14 Years**
- (21) Appl. No.: **29/445,663**
- (22) Filed: **Feb. 14, 2013**

D535,263 S 1/2007 Sumitani
 D539,760 S 4/2007 Sumitani
 7,224,000 B2 5/2007 Aanegola et al.
 D572,210 S 7/2008 Lee
 7,491,977 B2* 2/2009 Fukasawa 257/98

(Continued)

FOREIGN PATENT DOCUMENTS

EP 1187226 A1 3/2002
 JP 2000-216439 A 8/2000

(Continued)

OTHER PUBLICATIONS

OSRAM Product Catalogue "LUW CN₇N", published Jan. 21, 2010 by OSRAM Opto Semi-conductors, GmbH.

(Continued)

Primary Examiner — Selina Sikder
 (74) *Attorney, Agent, or Firm* — SAIDMAN DesignLaw Group

(57) **CLAIM**
 The ornamental design for a light emitting diode, as shown and described.

DESCRIPTION

FIG. 1 is a front, top, left side perspective view of a light emitting diode showing my new design;
 FIG. 2 is a rear, bottom, right side perspective view thereof;
 FIG. 3 is a front elevational view thereof;
 FIG. 4 is a rear elevational view thereof;
 FIG. 5 is a top plan view thereof;
 FIG. 6 is a bottom plan view thereof;
 FIG. 7 is a right side elevational view thereof; and,
 FIG. 8 is a left side elevational view thereof.
 The broken lines illustrate environmental structure and form no part of the claimed design.

1 Claim, 8 Drawing Sheets

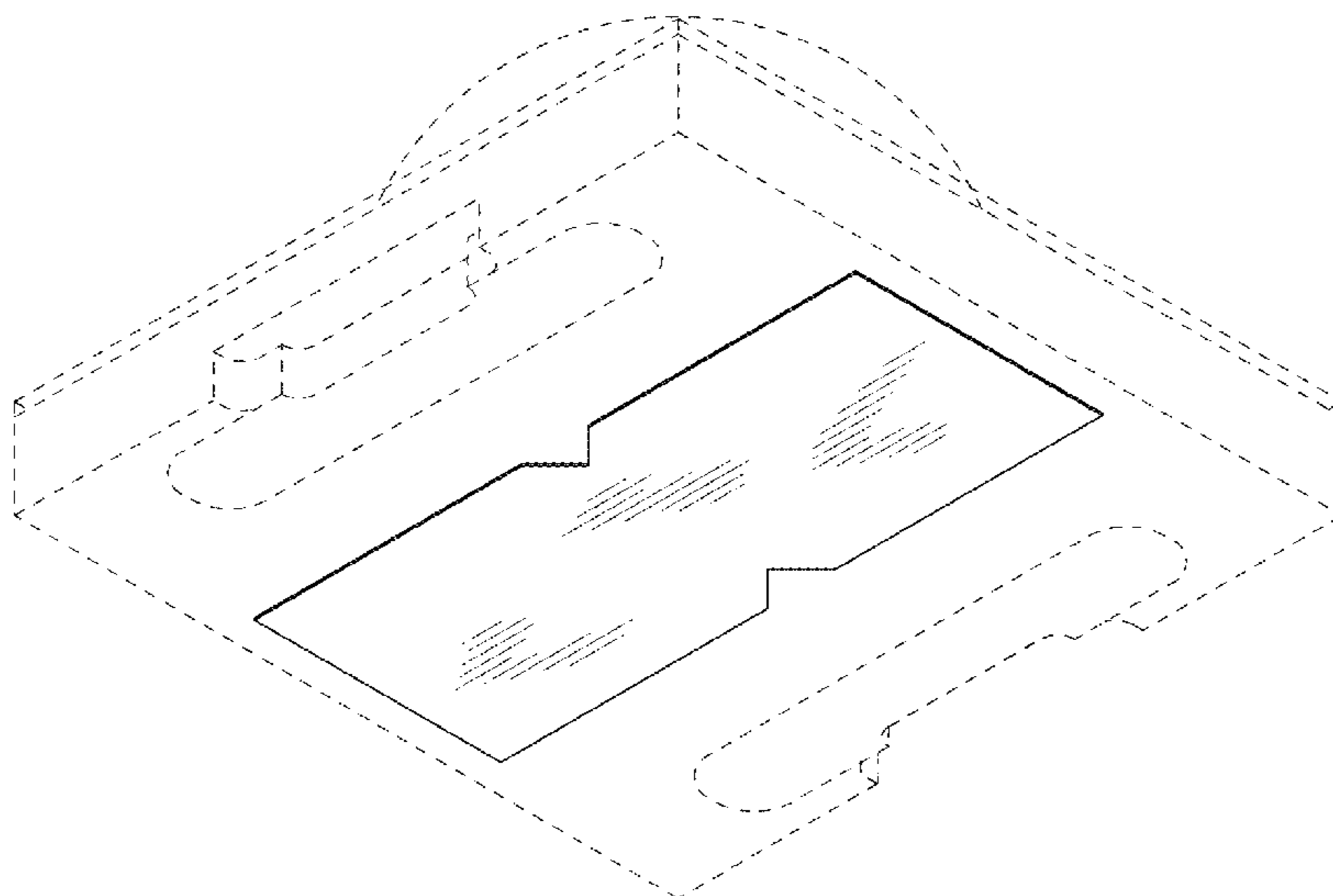
Related U.S. Application Data

- (62) Division of application No. 29/366,843, filed on Jul. 30, 2010, now Pat. No. Des. 680,504.
 - (51) **LOC (10) Cl.** **13-03**
 - (52) **U.S. Cl.**
USPC **D13/180**
 - (58) **Field of Classification Search**
USPC D13/180; D26/1; D5/56; D25/156;
362/555, 800; 257/79, 80, 81, 88, 89,
257/95, 98, 99, 100, E33.058; 313/483,
313/498, 500
- See application file for complete search history.

(56) **References Cited**

U.S. PATENT DOCUMENTS

4,307,297 A 12/1981 Groff et al.
 5,130,761 A 7/1992 Tanaka
 6,153,894 A 11/2000 Udagawa
 6,498,355 B1 12/2002 Harrah et al.
 6,770,498 B2 8/2004 Hsu
 D508,233 S 8/2005 Kasae et al.
 6,936,855 B1 8/2005 Harrah
 D510,913 S 10/2005 Sumitani
 6,995,510 B2 2/2006 Murakami et al.
 D517,027 S 3/2006 Suenaga
 7,066,626 B2 6/2006 Omata



(56)

References Cited

U.S. PATENT DOCUMENTS

D598,871 S 8/2009 Eberle et al.
 D615,504 S 5/2010 Keller et al.
 D627,315 S 11/2010 Lai et al.
 D628,167 S 11/2010 Lai et al.
 D628,168 S 11/2010 Lai et al.
 7,855,395 B2* 12/2010 Lee et al. 257/99
 D631,020 S 1/2011 Chuang et al.
 D633,631 S 3/2011 Shieh et al.
 7,906,788 B2* 3/2011 Nagai 257/88
 D637,565 S* 5/2011 Wu et al. D13/180
 D640,643 S 6/2011 Hsieh
 D642,143 S 7/2011 Kuwaharada et al.
 D643,381 S 8/2011 Hsieh
 D647,865 S* 11/2011 Miyashita D13/180
 D650,343 S* 12/2011 Andrews et al. D13/180
 D651,989 S 1/2012 Lin
 8,119,534 B2* 2/2012 Tanaka et al. 438/734
 D674,361 S* 1/2013 Lin et al. D13/180
 D674,362 S* 1/2013 Lin et al. D13/180
 D680,504 S* 4/2013 Noichi D13/180
 8,415,690 B2* 4/2013 Miyoshi et al. 257/96
 2002/0163001 A1 11/2002 Shaddock
 2004/0227149 A1 11/2004 Ibbetson et al.

2005/0051789 A1 3/2005 Negley et al.
 2006/0049421 A1 3/2006 Suehiro et al.
 2007/0269586 A1 11/2007 Leatherdale et al.
 2008/0246045 A1 10/2008 Song
 2009/0020778 A1 1/2009 Noichi
 2009/0108281 A1 4/2009 Keller et al.
 2009/0122514 A1 5/2009 Yoon et al.
 2009/0166655 A1 7/2009 Lin
 2009/0283779 A1 11/2009 Negley et al.
 2010/0252851 A1* 10/2010 Emerson et al. 257/98
 2011/0024786 A1* 2/2011 Sugiyama 257/99
 2011/0248289 A1* 10/2011 Hsieh et al. 257/88
 2011/0260192 A1* 10/2011 Kwak et al. 257/98
 2011/0291154 A1 12/2011 Noichi et al.

FOREIGN PATENT DOCUMENTS

JP 2000-252524 A 9/2000
 JP 2001-203396 A 7/2001
 WO 2005/014247 A1 11/2005

OTHER PUBLICATIONS

2009 Nichia LED Catalogue (pp. 7, 93), published Sep. 2009 by Nichia Corporation.

* cited by examiner

FIG. 1

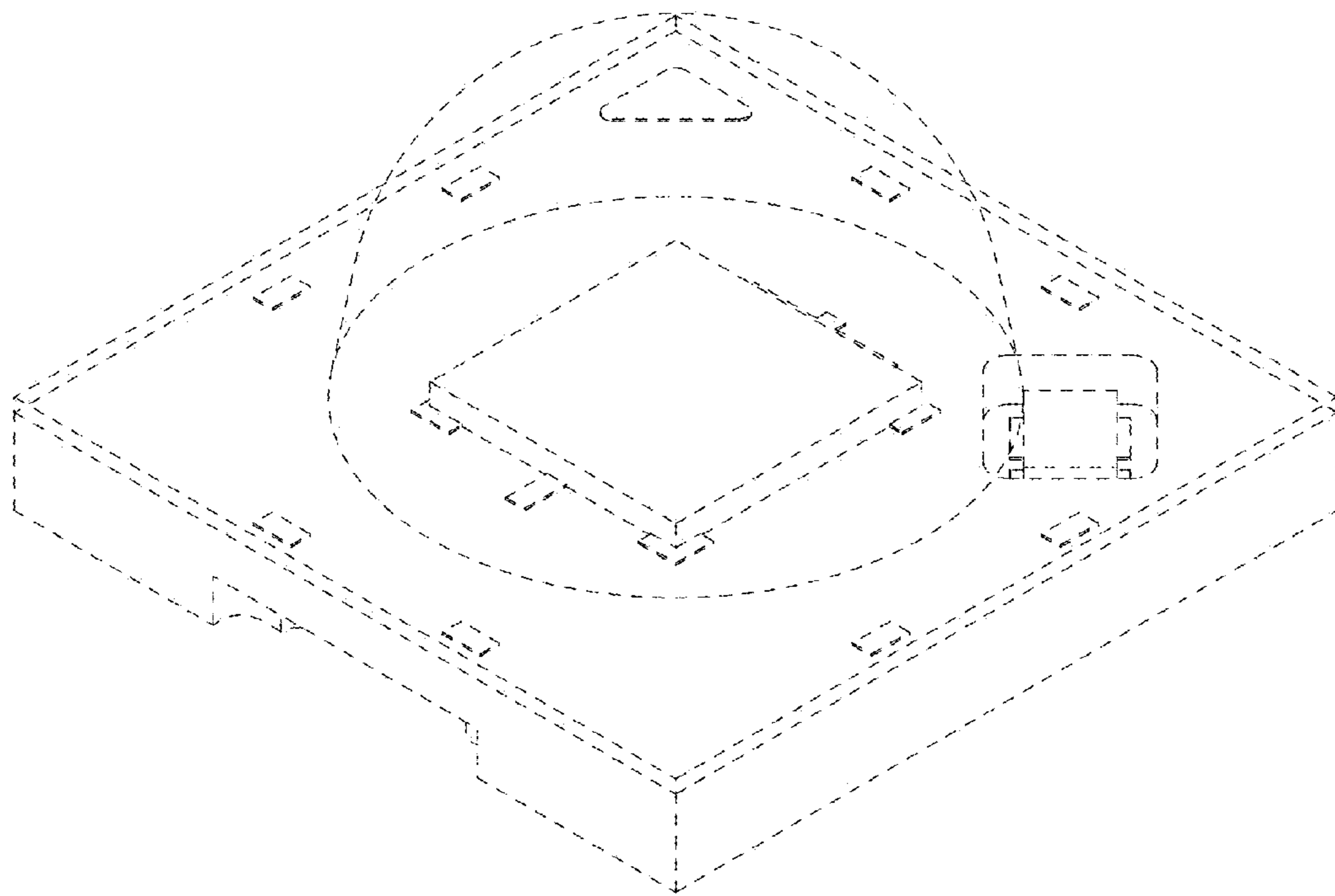


FIG. 2

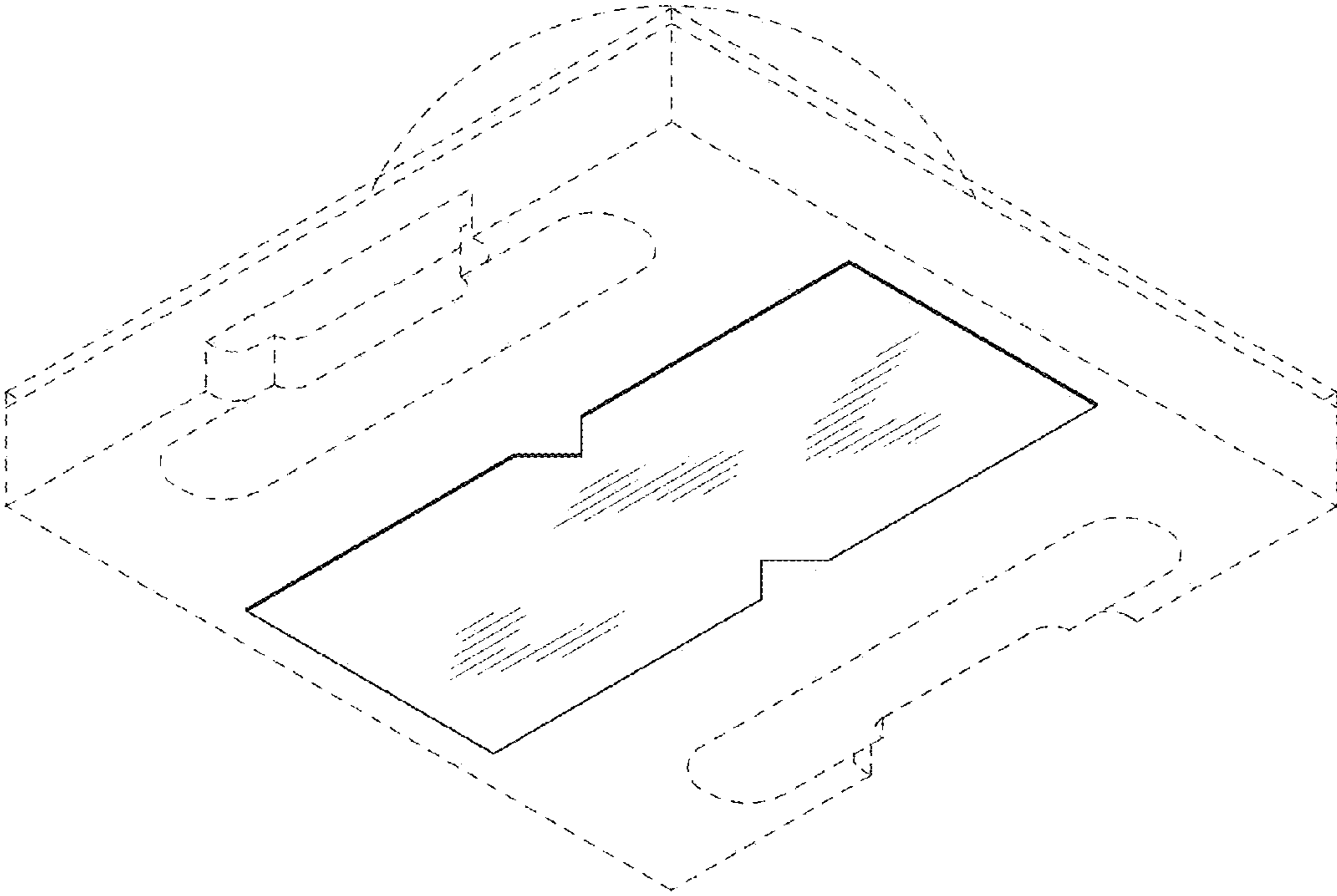


FIG. 3

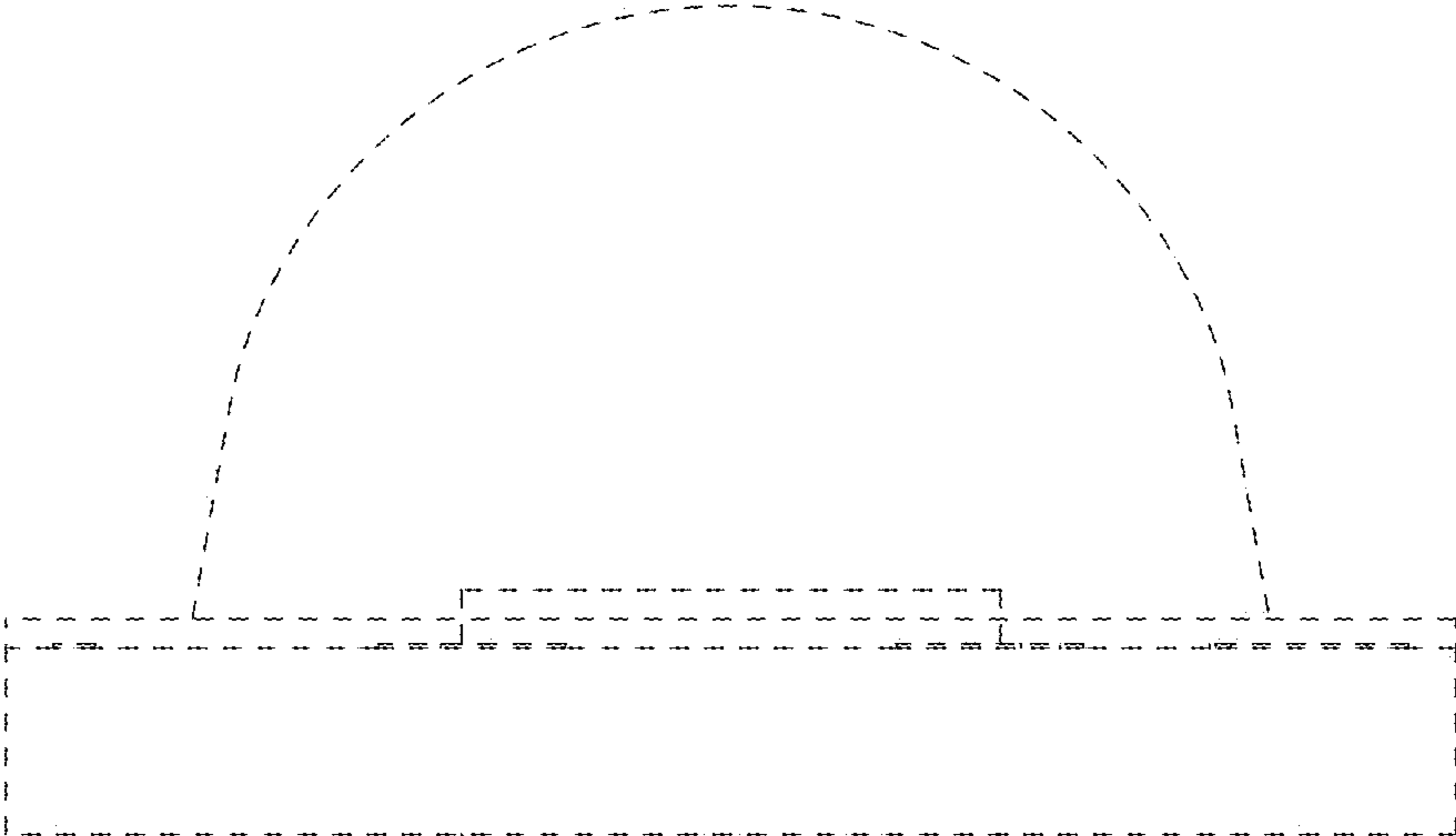


FIG. 4

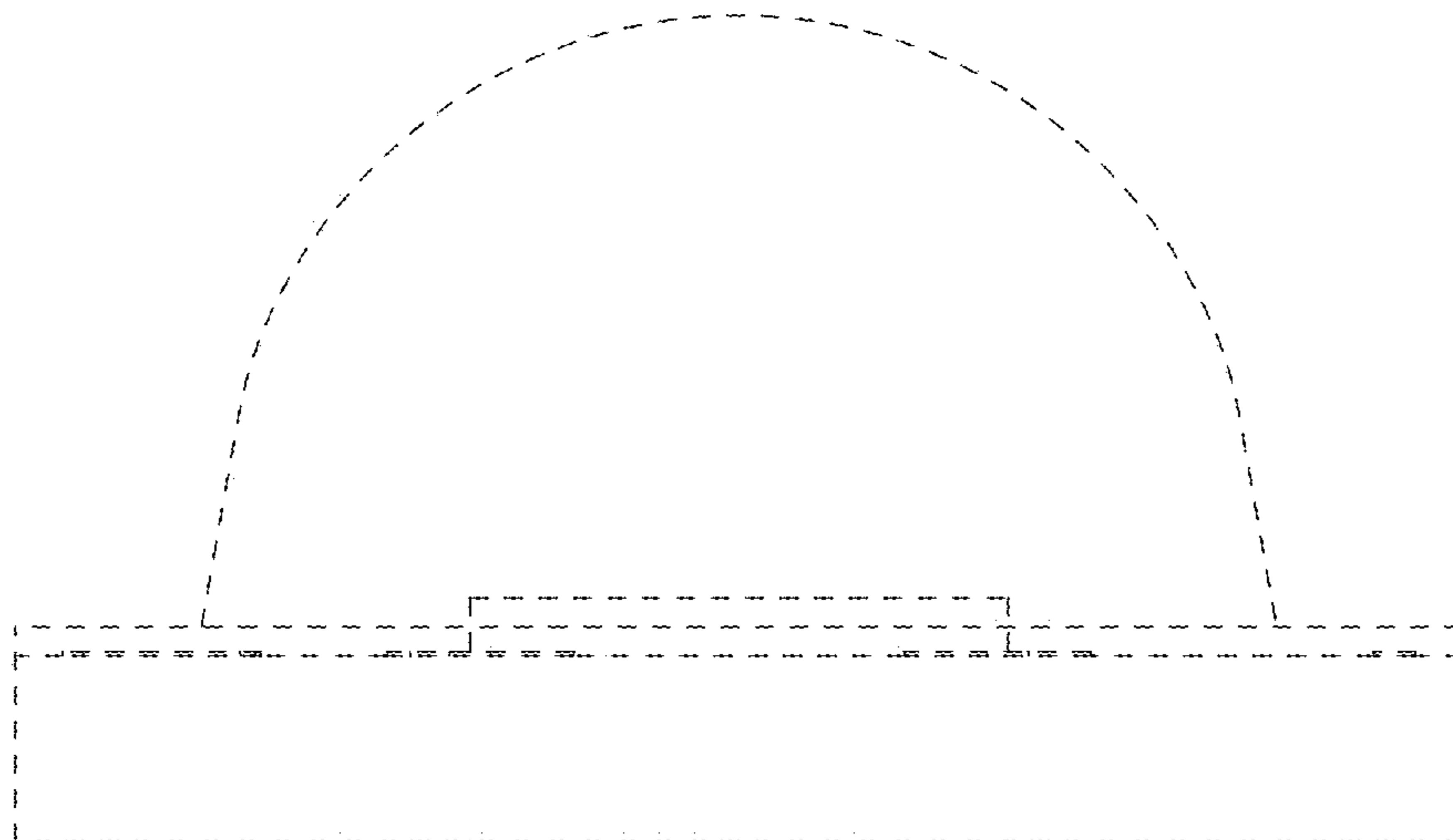


FIG. 5

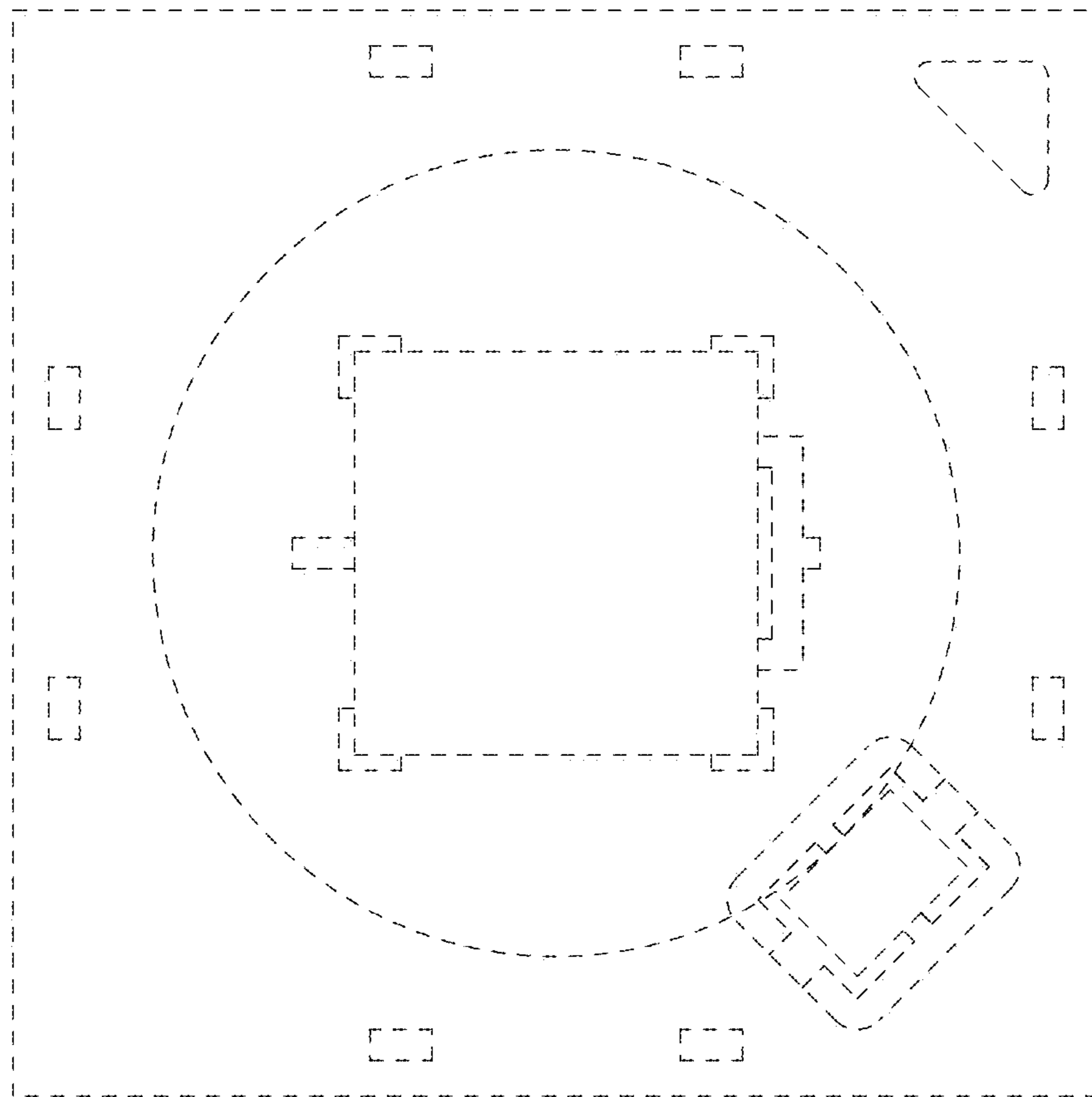


FIG. 6

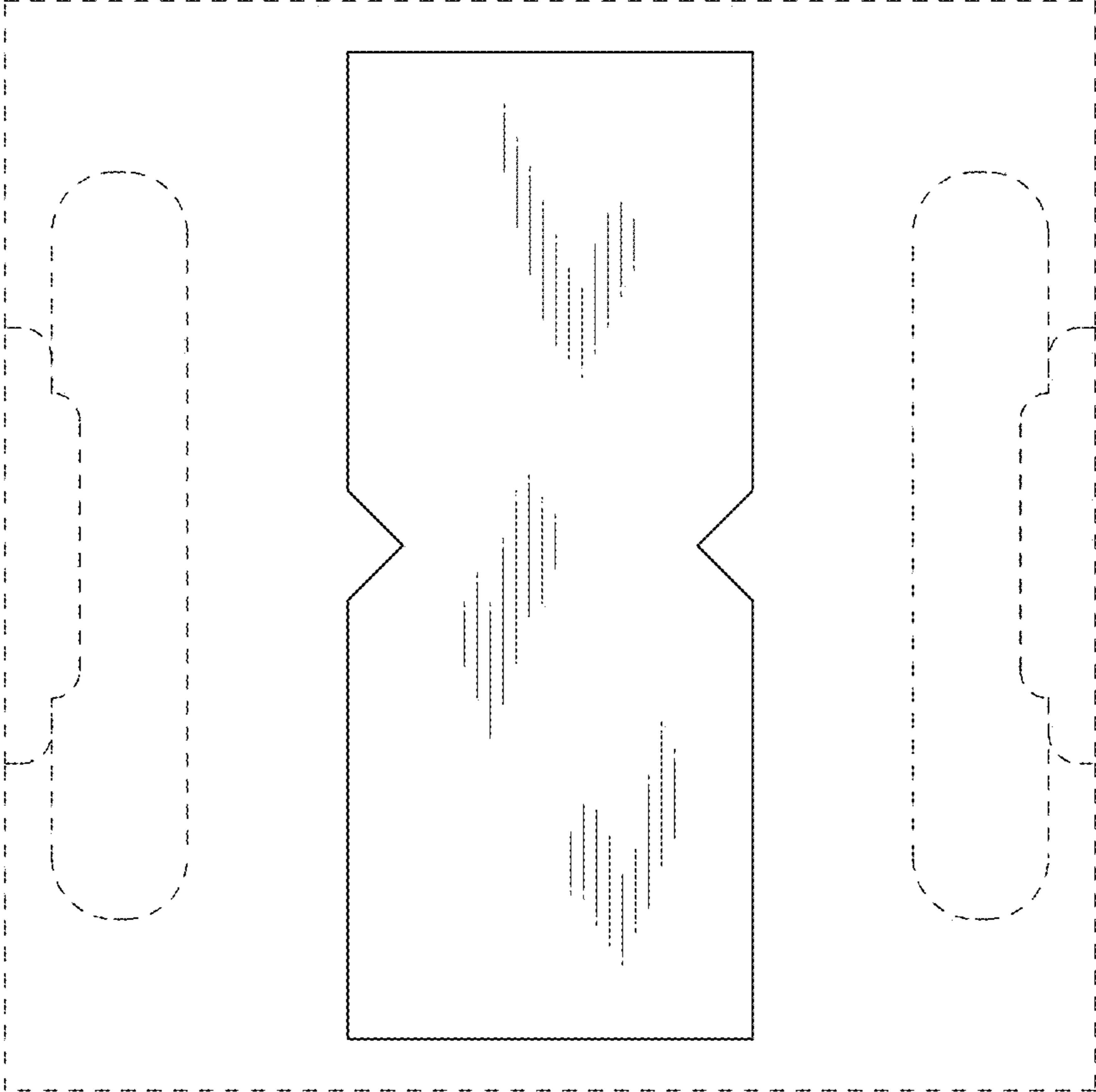


FIG. 7

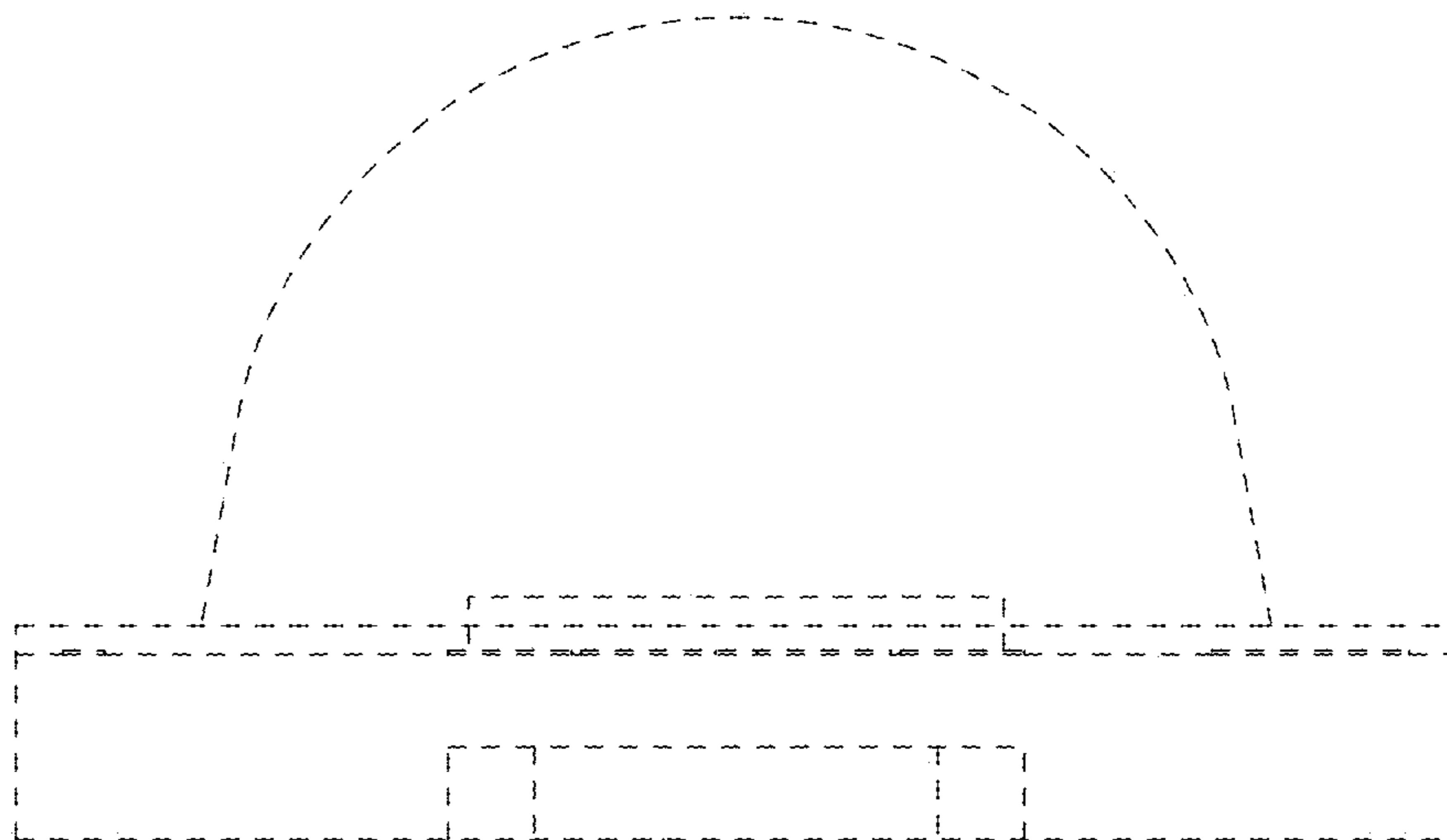
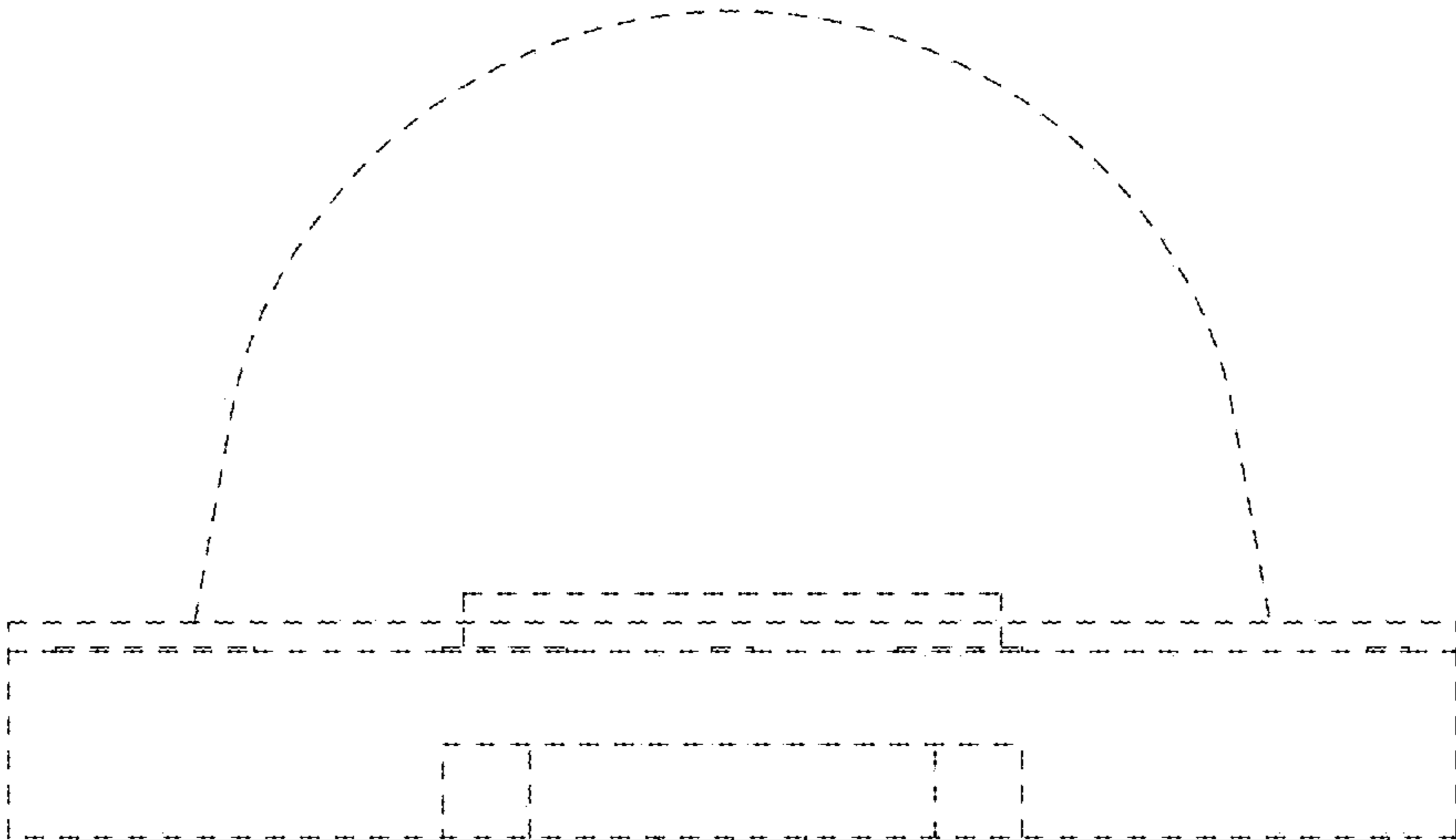


FIG. 8



UNITED STATES PATENT AND TRADEMARK OFFICE
CERTIFICATE OF CORRECTION

PATENT NO. : D698,323 S
APPLICATION NO. : 29/445663
DATED : January 28, 2014
INVENTOR(S) : Takuya Noichi

Page 1 of 1

It is certified that error appears in the above-identified patent and that said Letters Patent is hereby corrected as shown below:

On the Title Page

Item (56) References Cited

Under FOREIGN PATENT DOCUMENTS

Insert --WO 2005/104247 A1 11/2005--

Signed and Sealed this
Third Day of June, 2014



Michelle K. Lee
Deputy Director of the United States Patent and Trademark Office