



US00D698322S

(12) **United States Design Patent**  
**Takeda et al.**

(10) **Patent No.:** **US D698,322 S**  
(45) **Date of Patent:** **\*\* Jan. 28, 2014**

(54) **LIGHT EMITTING DIODE**

(71) Applicant: **Toyoda Gosei Co., Ltd.**, Kiyosu (JP)

(72) Inventors: **Shigeo Takeda**, Kiyosu (JP); **Tomohiro Miwa**, Kiyosu (JP); **Shota Shimonishi**, Kiyosu (JP); **Hiroyuki Tajima**, Kiyosu (JP)

(73) Assignee: **Toyoda Gosei Co., Ltd.**, Kiyosu-Shi, Aichi-Ken (JP)

(\*\*) Term: **14 Years**

(21) Appl. No.: **29/439,697**

(22) Filed: **Dec. 13, 2012**

(30) **Foreign Application Priority Data**

Jul. 5, 2012 (JP) ..... 2012-015942  
Jul. 5, 2012 (JP) ..... 2012-015943  
Jul. 5, 2012 (JP) ..... 2012-015944

(51) **LOC (10) Cl.** ..... **13-03**

(52) **U.S. Cl.**  
USPC ..... **D13/180**

(58) **Field of Classification Search**  
USPC ..... D13/180; D26/1; 257/79, 80, 81, 88,  
257/89, 95, 98, 99, 100, E33.058; 313/483,  
313/498, 500; 362/555, 800  
See application file for complete search history.

(56) **References Cited**

**U.S. PATENT DOCUMENTS**

D573,553 S \* 7/2008 Uemoto et al. .... D13/180  
D576,576 S \* 9/2008 Shida et al. .... D13/180  
D593,043 S \* 5/2009 Song ..... D13/180  
D607,420 S \* 1/2010 Imai et al. .... D13/180  
D615,052 S \* 5/2010 Imai et al. .... D13/180  
D618,635 S \* 6/2010 Imai et al. .... D13/180  
D637,564 S \* 5/2011 Tseng et al. .... D13/180  
D650,760 S \* 12/2011 Hussell et al. .... D13/180

D658,603 S \* 5/2012 Egawa et al. .... D13/180  
D667,803 S \* 9/2012 Hussell et al. .... D13/180  
D669,041 S \* 10/2012 Imai et al. .... D13/180  
D676,000 S \* 2/2013 Hussell et al. .... D13/180  
D676,395 S \* 2/2013 Hussell et al. .... D13/180  
D683,708 S \* 6/2013 Sasano et al. .... D13/180

(Continued)

*Primary Examiner* — Selina Sikder

(74) *Attorney, Agent, or Firm* — McGinn IP Law Group, PLLC

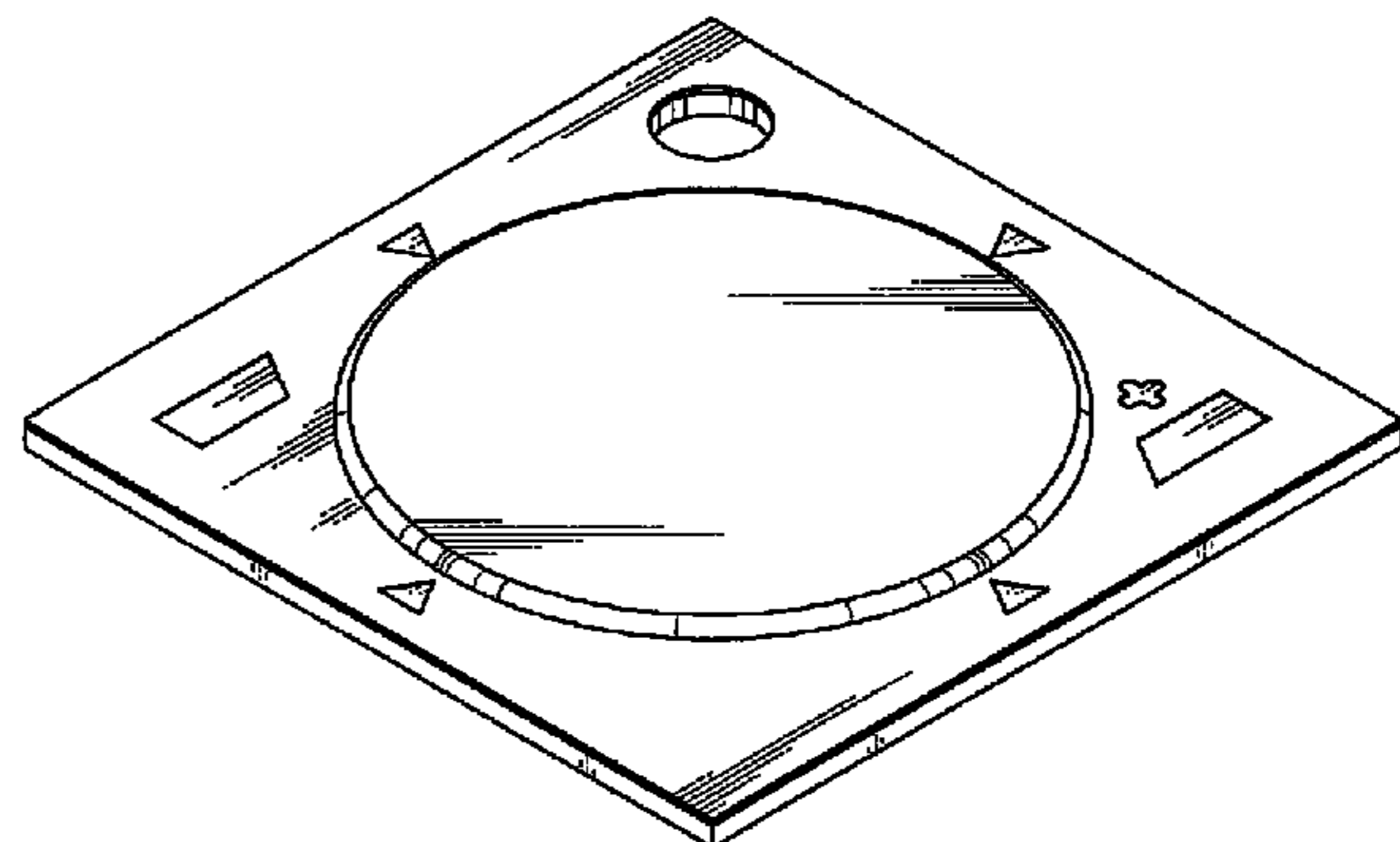
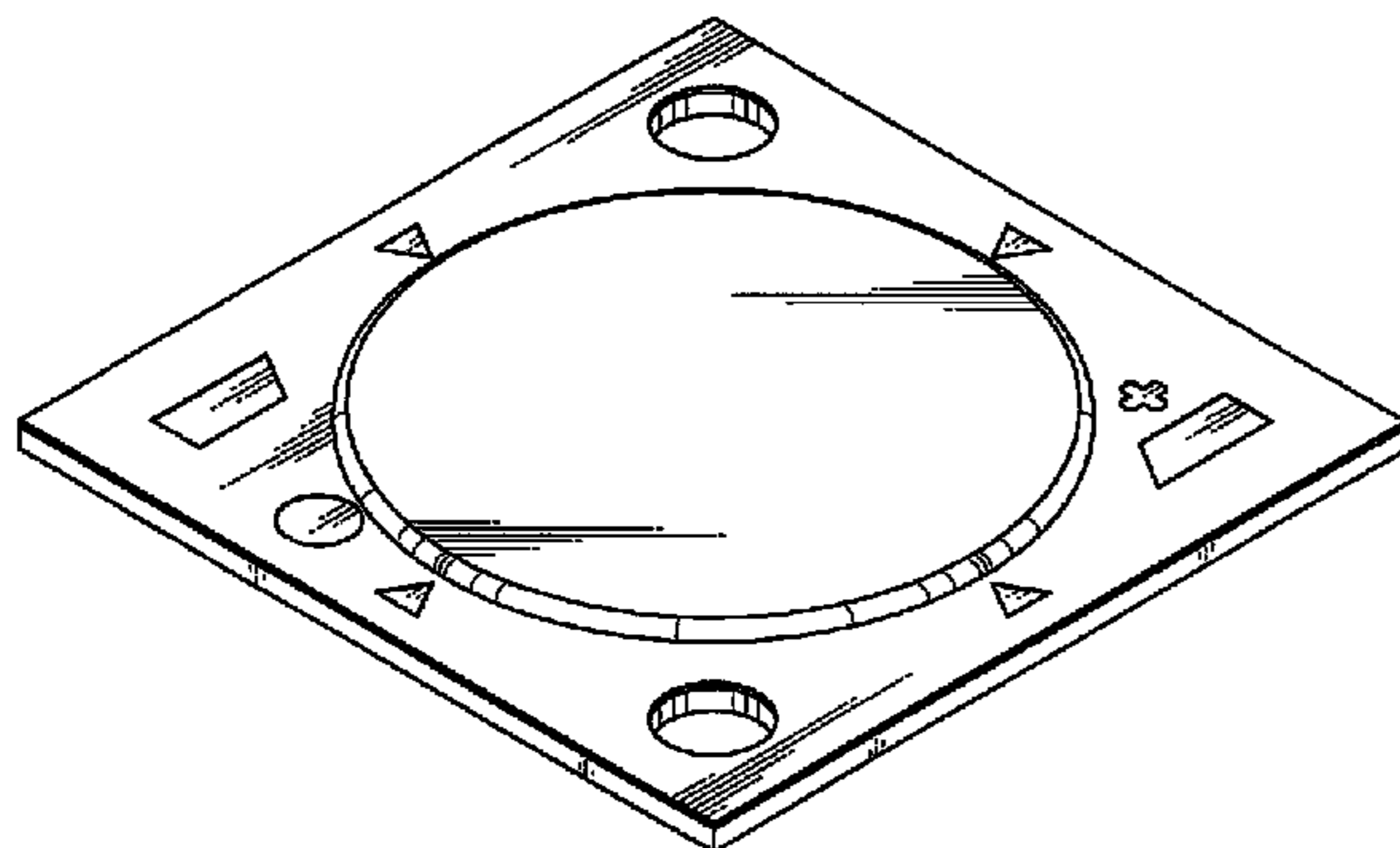
(57) **CLAIM**

The ornamental design for the light emitting diode, as shown and described.

**DESCRIPTION**

FIG. 1 is a perspective view of the light emitting diode in a first embodiment;  
FIG. 2 is a front view thereof, a rear view being mirror image thereof;  
FIG. 3 is a right side view thereof, a left side view being mirror image thereof;  
FIG. 4 is a top plan view thereof;  
FIG. 5 is a bottom view thereof;  
FIG. 6 is a perspective view of the light emitting diode in a second embodiment;  
FIG. 7 is a front view thereof, a rear view being mirror image thereof;  
FIG. 8 is a right side view thereof, a left side view being mirror image thereof;  
FIG. 9 is a top plan view thereof;  
FIG. 10 is a bottom view thereof;  
FIG. 11 is a perspective view of the light emitting diode in a third embodiment;  
FIG. 12 is a front view thereof, a rear view being mirror image thereof;  
FIG. 13 is a right side view thereof, a left side view being mirror image thereof;  
FIG. 14 is a top plan view thereof; and,  
FIG. 15 is a bottom view thereof.

**1 Claim, 12 Drawing Sheets**



# US D698,322 S

Page 2

---

(56)

## References Cited

### U.S. PATENT DOCUMENTS

D689,451 S *	9/2013	Shimonishi et al. ....	D13/180	2009/0122514 A1 *	5/2009	Yoon et al. ....	362/84
2004/0196663 A1 *	10/2004	Ishida et al. ....	362/539	2012/0193651 A1 *	8/2012	Edmond et al. ....	257/88
2007/0018295 A1 *	1/2007	Kim et al. ....	257/678	2012/0205689 A1 *	8/2012	Welch et al. ....	257/91
				2012/0299022 A1 *	11/2012	Hussell ....	257/88
				2013/0058099 A1 *	3/2013	Shum et al. ....	362/294

\* cited by examiner

Fig. 1

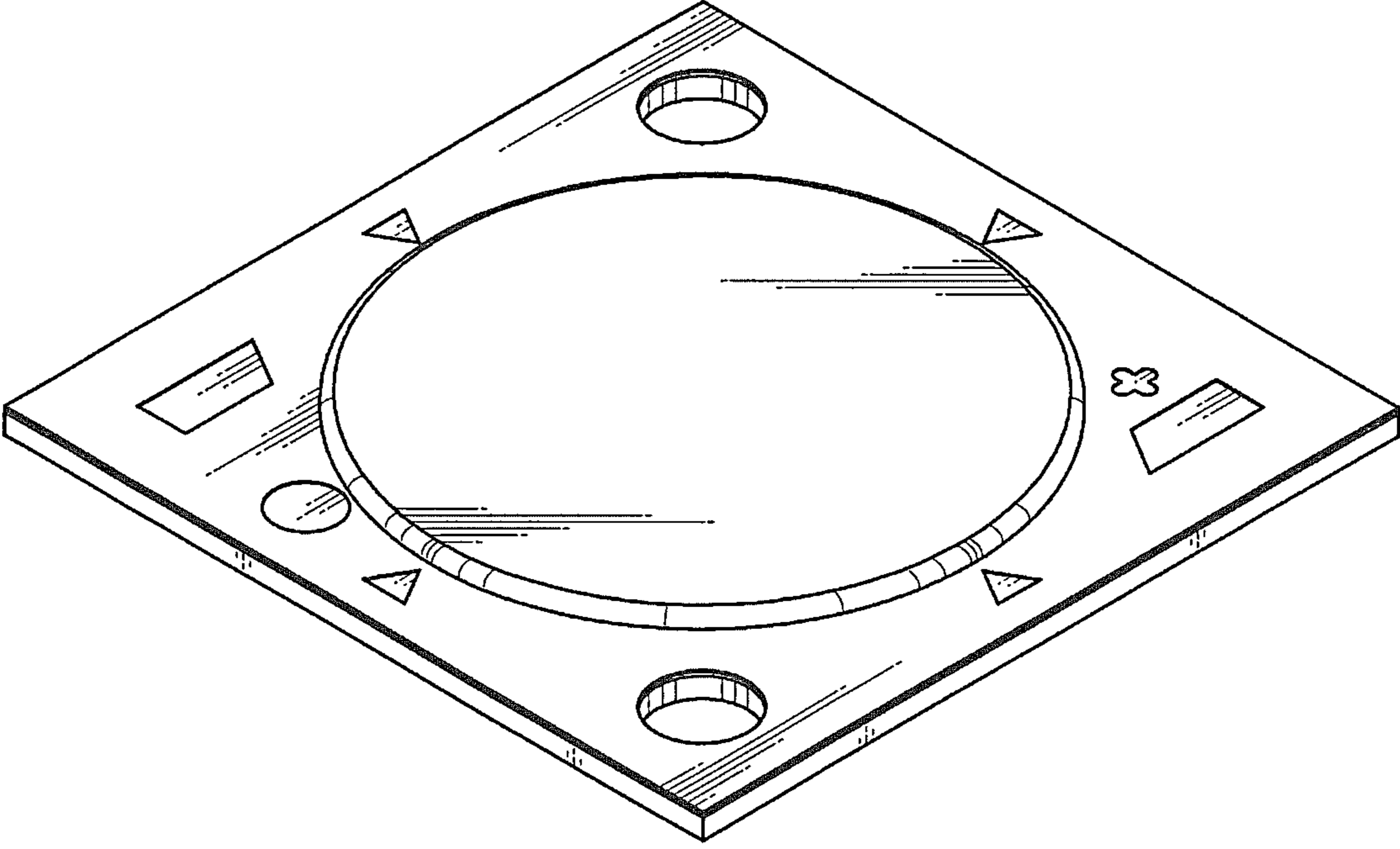


Fig. 2

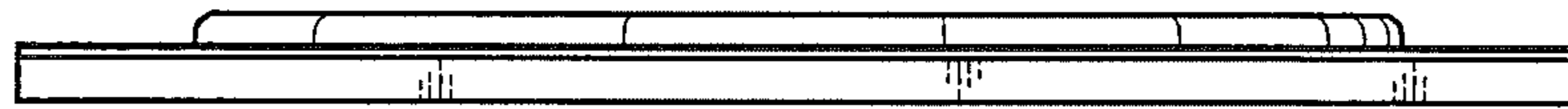


Fig. 3



Fig. 4

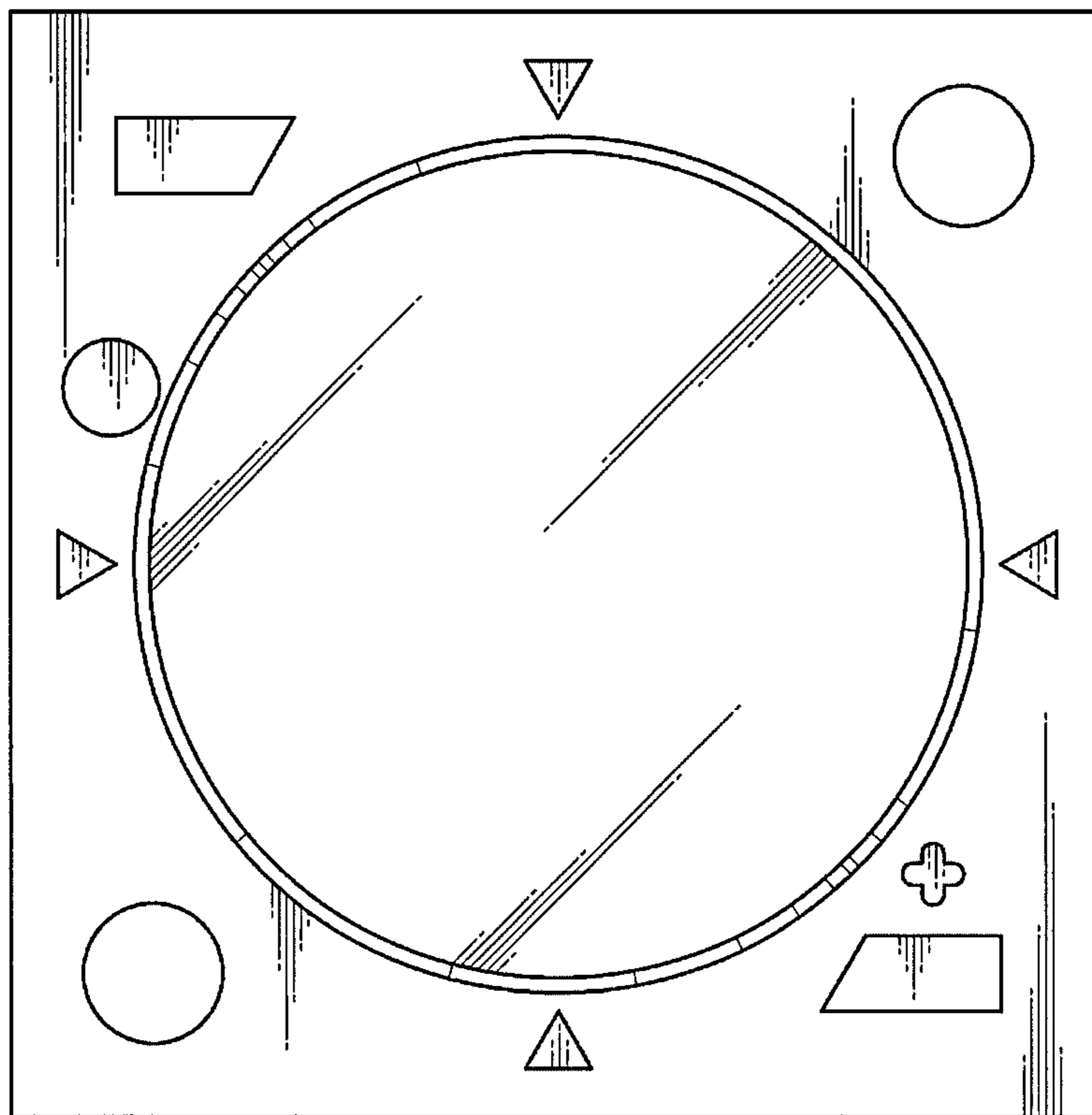


Fig. 5

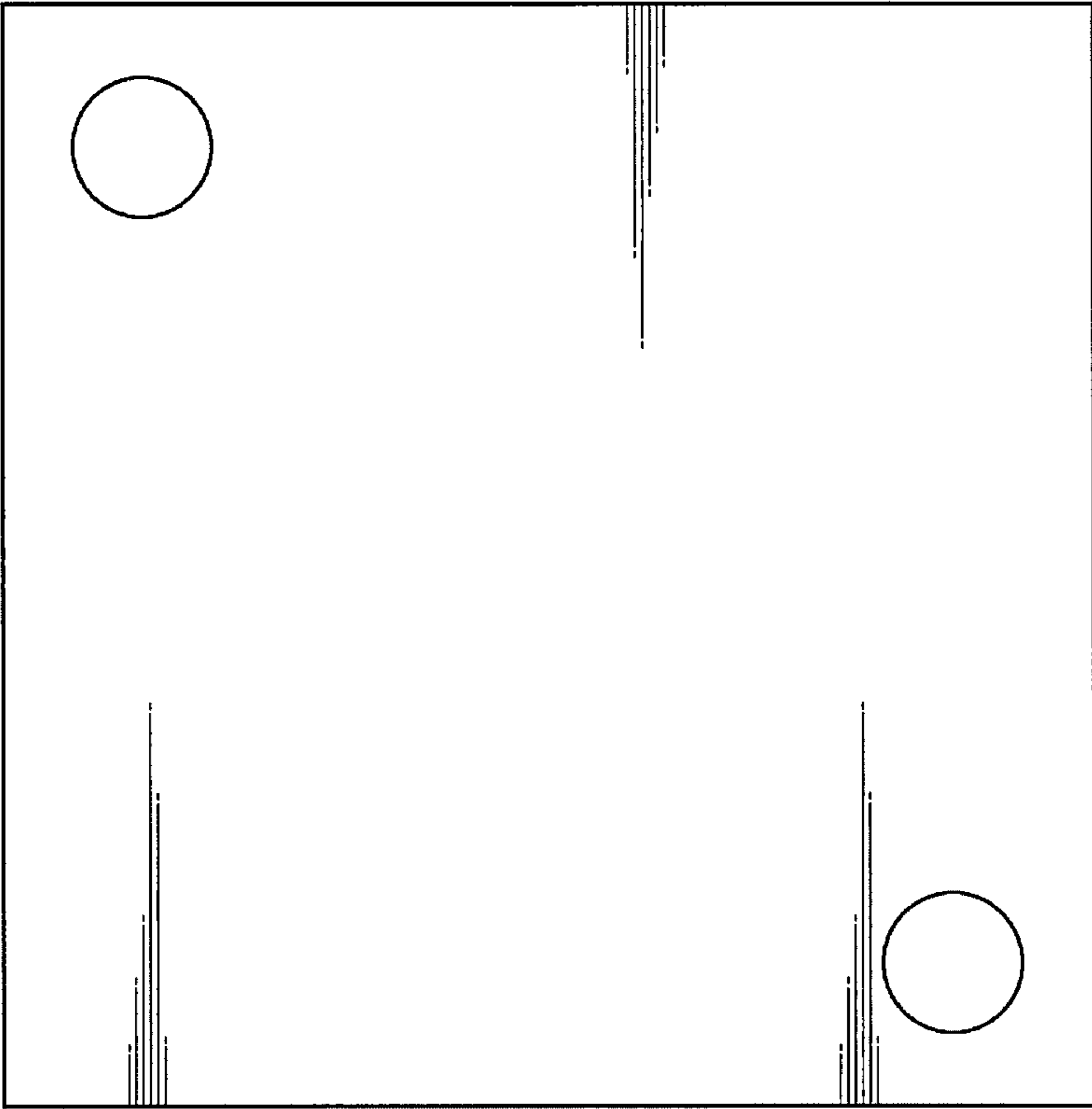


Fig. 6

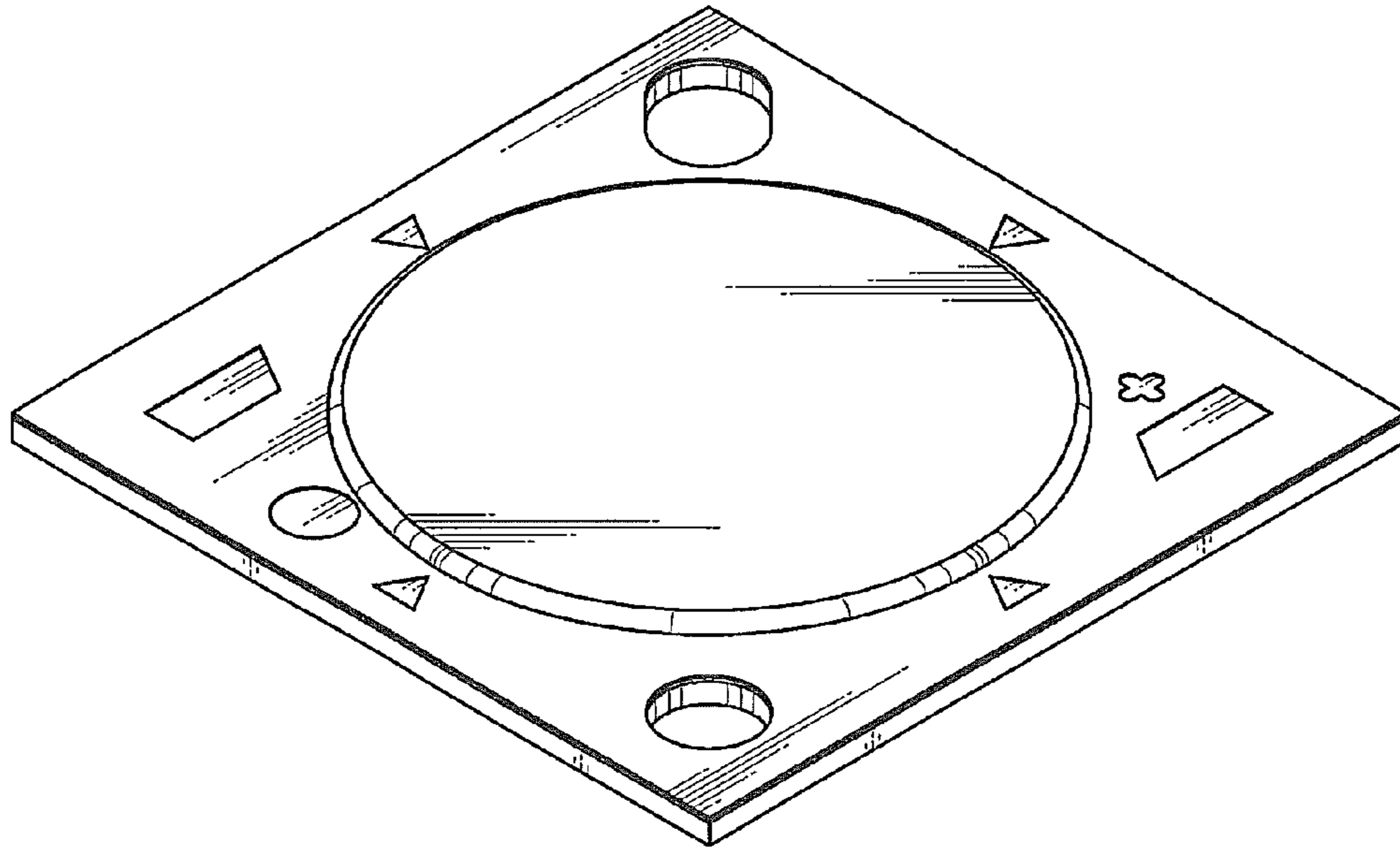


Fig. 7

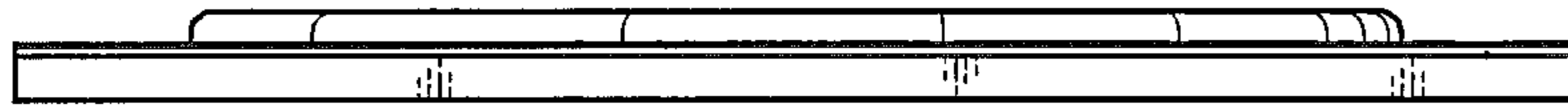


Fig. 8





Fig. 9

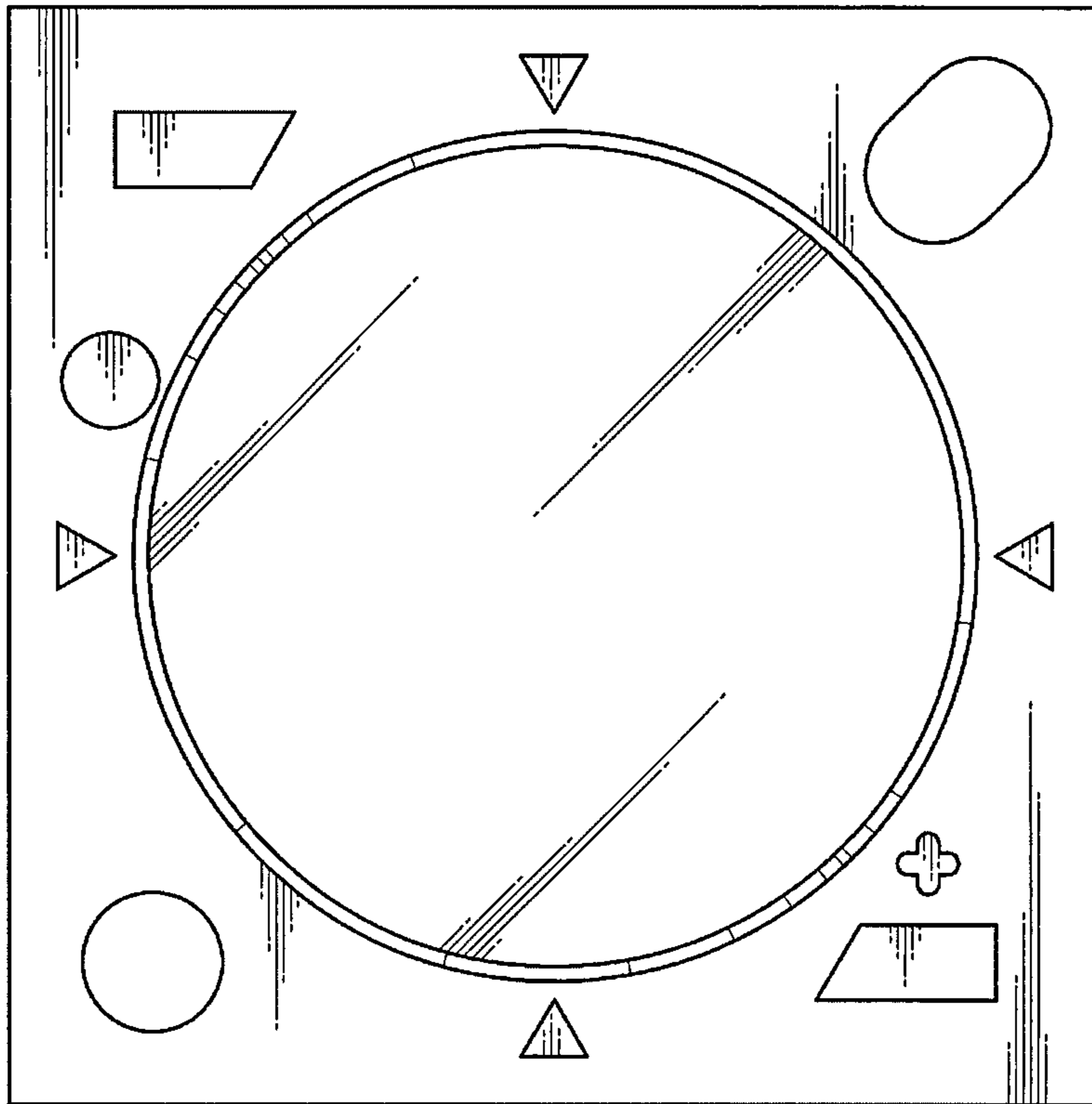


Fig. 10

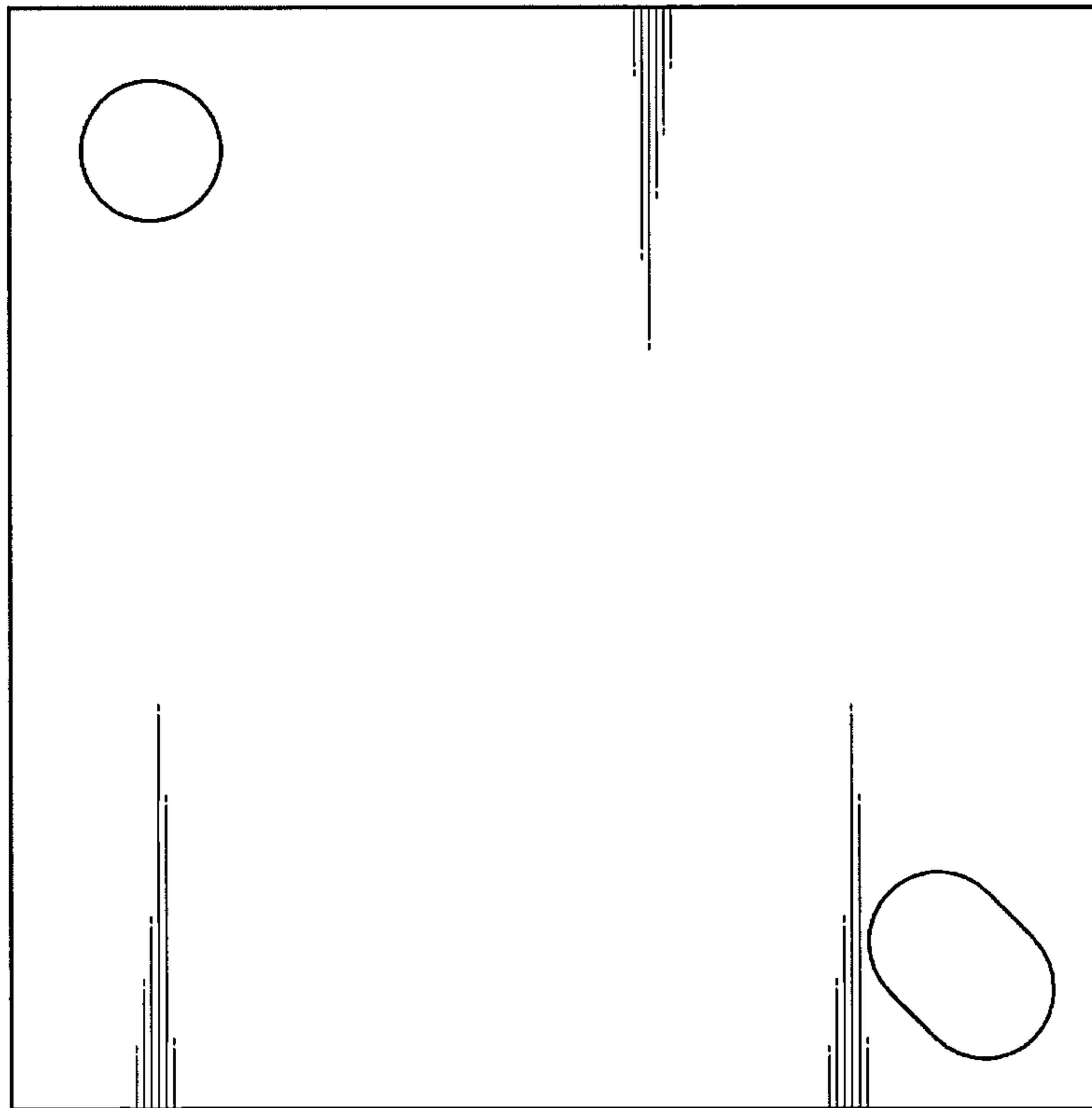


Fig. 11

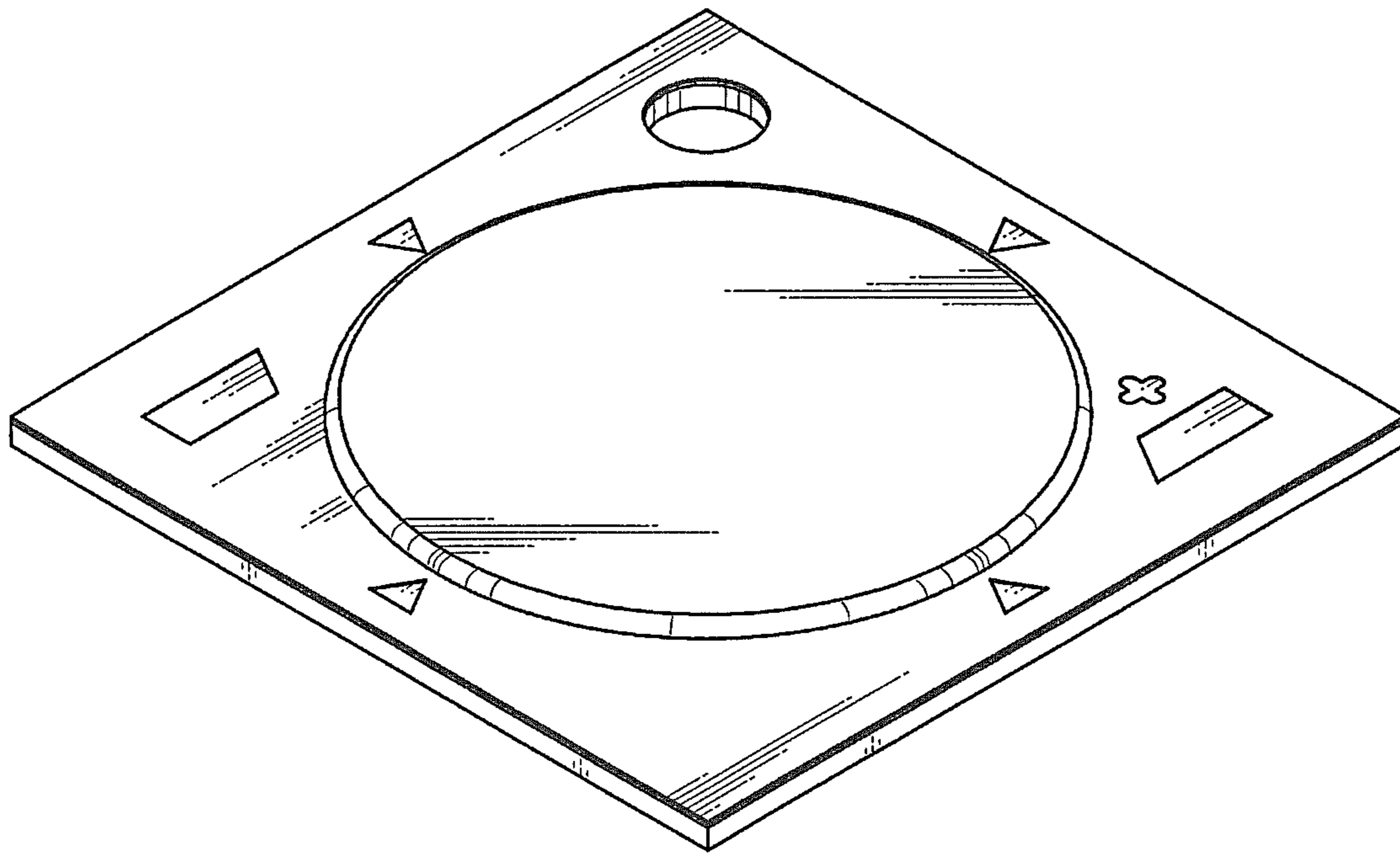


Fig. 12

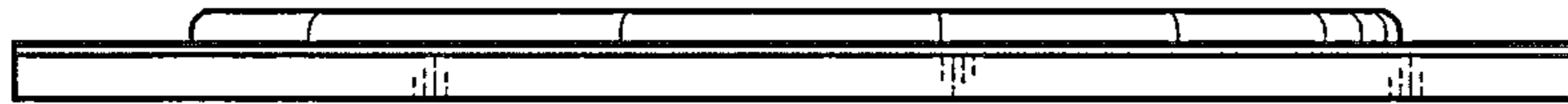


Fig. 13



Fig. 14

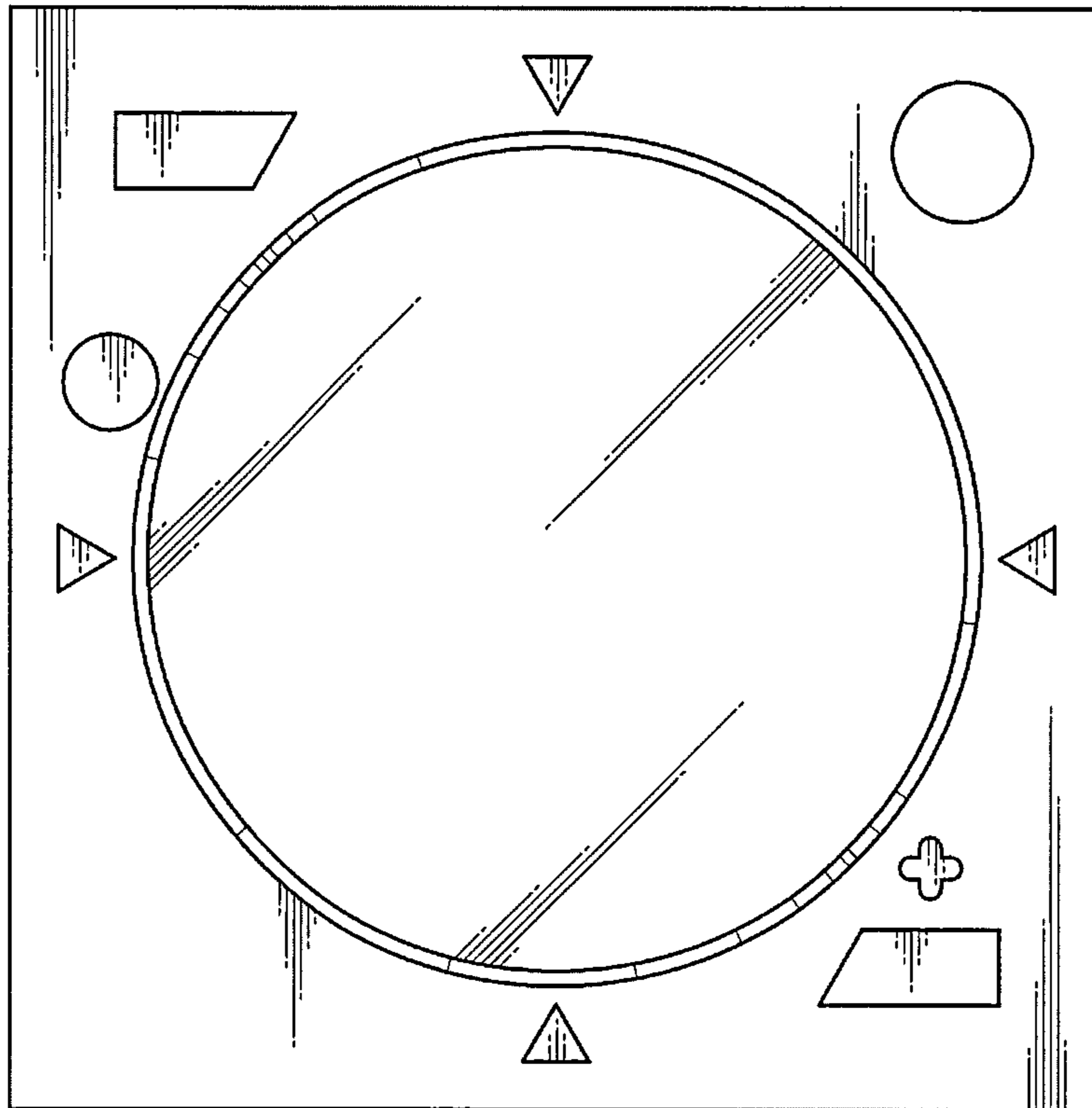


Fig. 15

