



US00D698321S

(12) **United States Design Patent**
Arioka et al.

(10) **Patent No.:** **US D698,321 S**
(45) **Date of Patent:** **** Jan. 28, 2014**

(54) **VACUUM CIRCUIT BREAKER**

(56) **References Cited**

(71) Applicant: **Mitsubishi Electric Corporation,**
Tokyo (JP)

U.S. PATENT DOCUMENTS

(72) Inventors: **Masahiro Arioka,** Chiyoda-Ku (JP);
Tomotaka Yano, Chiyoda-Ku (JP);
Kyoichi Otsuka, Chiyoda-Ku (JP);
Satoru Yoshida, Chiyoda-Ku (JP);
Tachyun Kim, Chiyoda-Ku (JP); **Koji**
Sano, Chiyoda-Ku (JP); **Yuta**
Nakayama, Chiyoda-Ku (JP)

D223,671	S	*	5/1972	Forsty et al.	D13/160
4,365,126	A	*	12/1982	Oshima et al.	218/143
5,321,221	A	*	6/1994	Rozier	218/2
5,373,129	A	*	12/1994	Shutoh et al.	218/143
7,102,101	B1	*	9/2006	Johnson et al.	219/201
D562,776	S	*	2/2008	Osumi et al.	D13/158
D583,332	S	*	12/2008	Shang	D13/158
8,440,930	B2	*	5/2013	Lee	218/140
2009/0045892	A1	*	2/2009	Nelson et al.	335/202
2010/0006405	A1	*	1/2010	Einschenk et al.	200/42.01
2012/0103941	A1	*	5/2012	Nakayama et al.	218/134
2013/0100587	A1	*	4/2013	Yoshida et al.	361/612

(73) Assignee: **Mitsubishi Electric Corporation,**
Tokyo (JP)

* cited by examiner

(**) Term: **14 Years**

Primary Examiner — Thomas Johannes

(21) Appl. No.: **29/432,773**

(74) *Attorney, Agent, or Firm* — Sughrue Mion, PLLC

(22) Filed: **Sep. 20, 2012**

(57) **CLAIM**

(30) **Foreign Application Priority Data**

The ornamental design for a vacuum circuit breaker, as shown and described.

Mar. 23, 2012 (JP) 2012-006593

(51) **LOC (10) Cl.** **13-03**

DESCRIPTION

(52) **U.S. Cl.**

USPC **D13/160**

(58) **Field of Classification Search**

USPC D13/123, 125, 158, 160, 162, 164, 171;
439/417-419, 395-404, 465, 695, 696,
439/701; D32/60, 61; 338/179, 198;
174/50, 66, 65 R, 67, 70 R, 77 R, 77 S,
174/92; 200/5 R, 43.11, 43.14, 50.01, 50.15,
200/293, 293.1, 303, 401; 361/42, 44, 45,
361/50, 71, 115, 118, 119, 679; 335/374,
335/68, 132, 202; 15/230.11; 401/121, 127,
401/137, 146, 197; D4/122, 123;
D8/373-386

FIG. 1 is a front, top and left side perspective view of a vacuum circuit breaker, showing our new design;
FIG. 2 is a front elevational view thereof;
FIG. 3 is a rear elevational view thereof;
FIG. 4 is a left side elevational view thereof;
FIG. 5 is a right side elevational view thereof;
FIG. 6 is a top plan view thereof; and,
FIG. 7 is a bottom plan view thereof.

The broken line portion of the figures is included to show unclaimed subject matter only and forms no part of the claimed design.

See application file for complete search history.

1 Claim, 7 Drawing Sheets

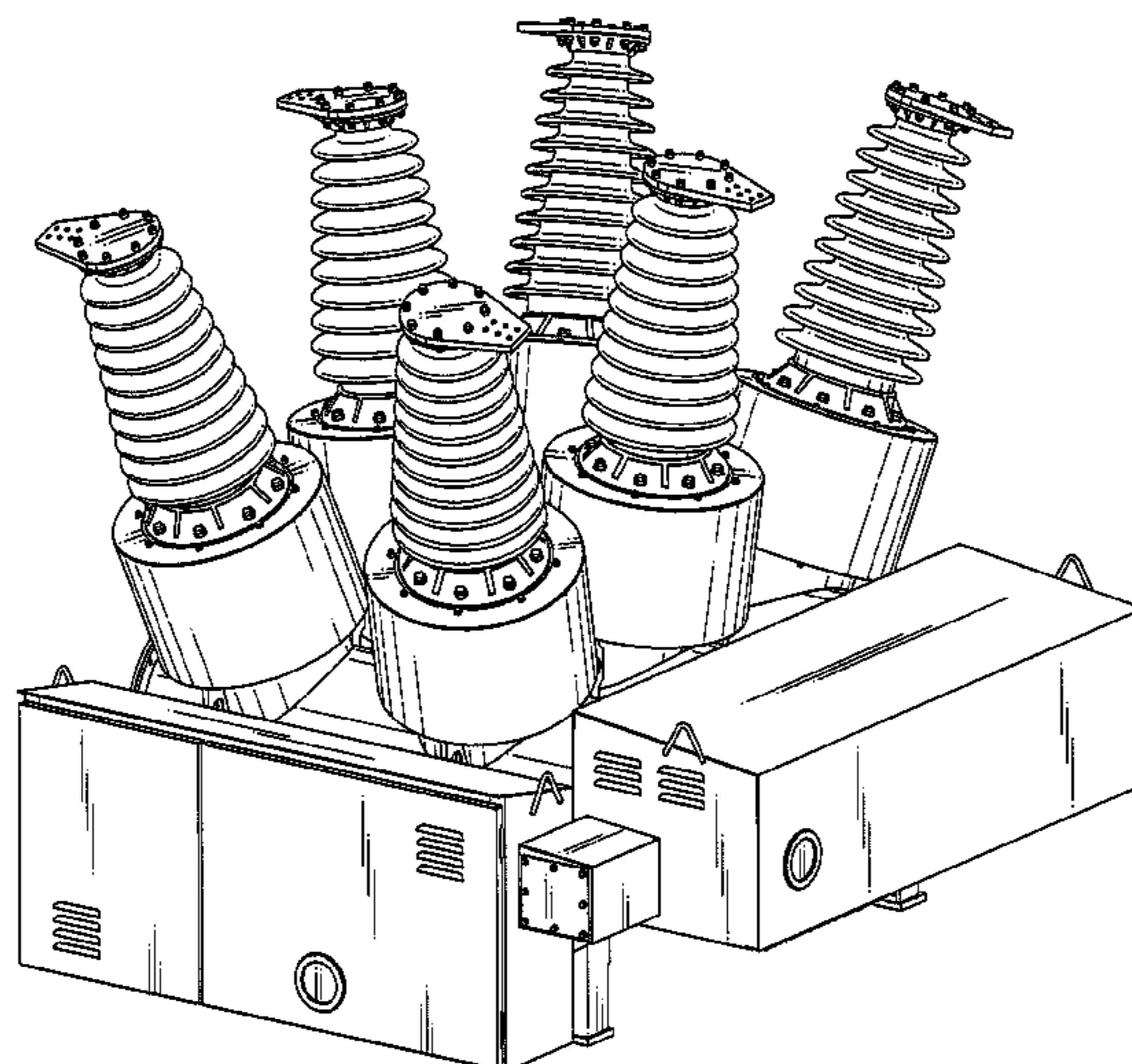


Fig. 1

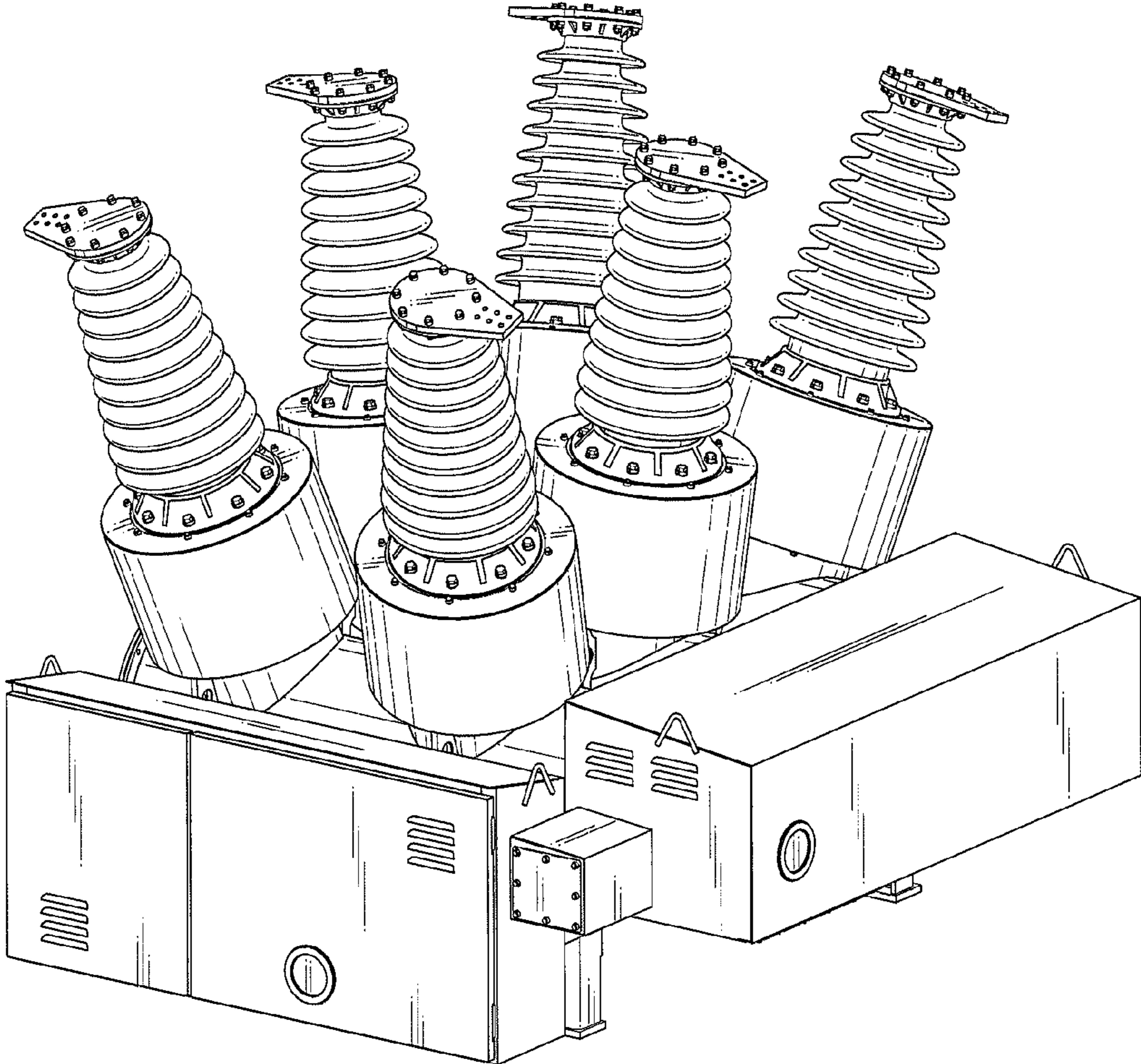


Fig. 2

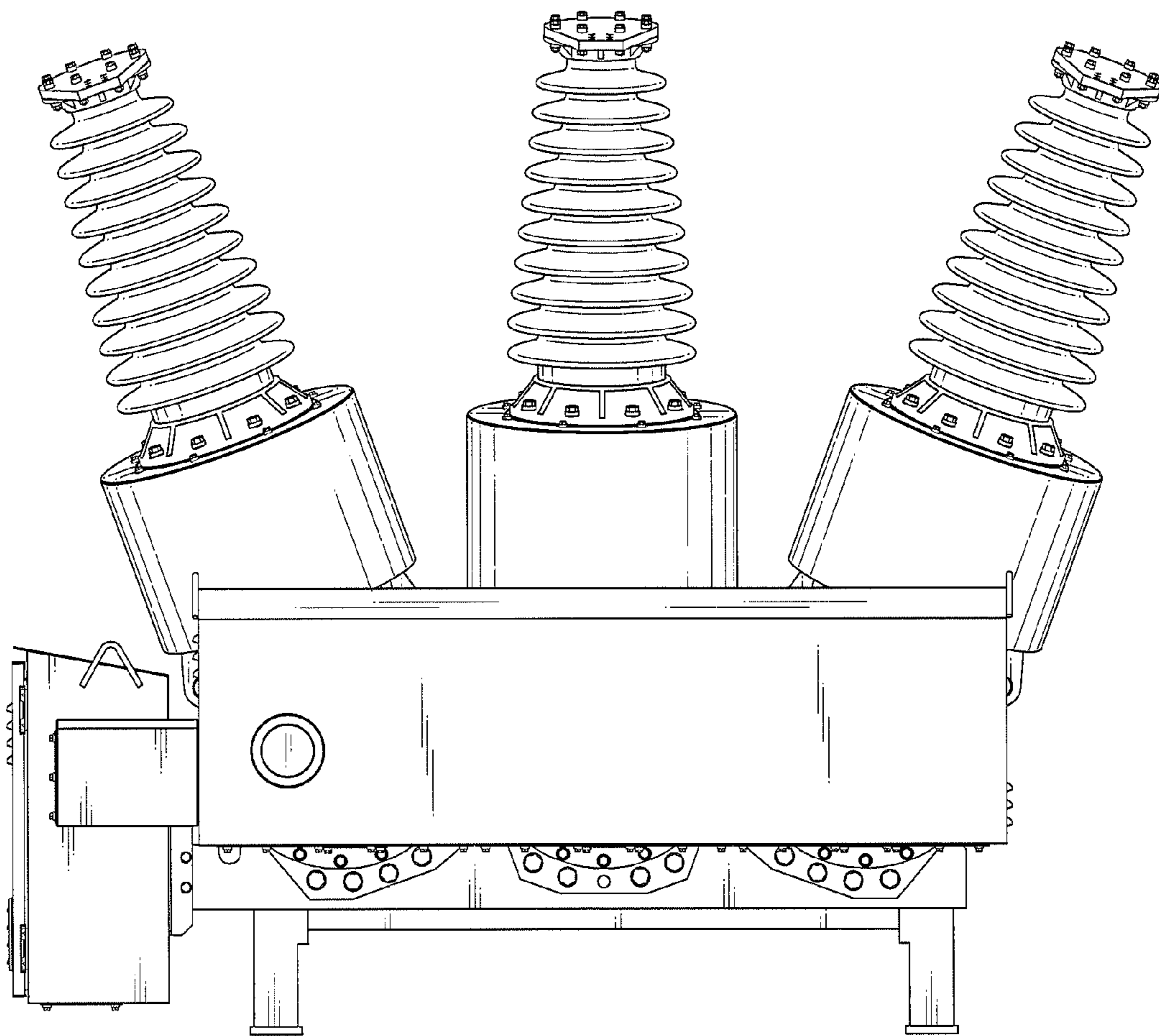


Fig. 3

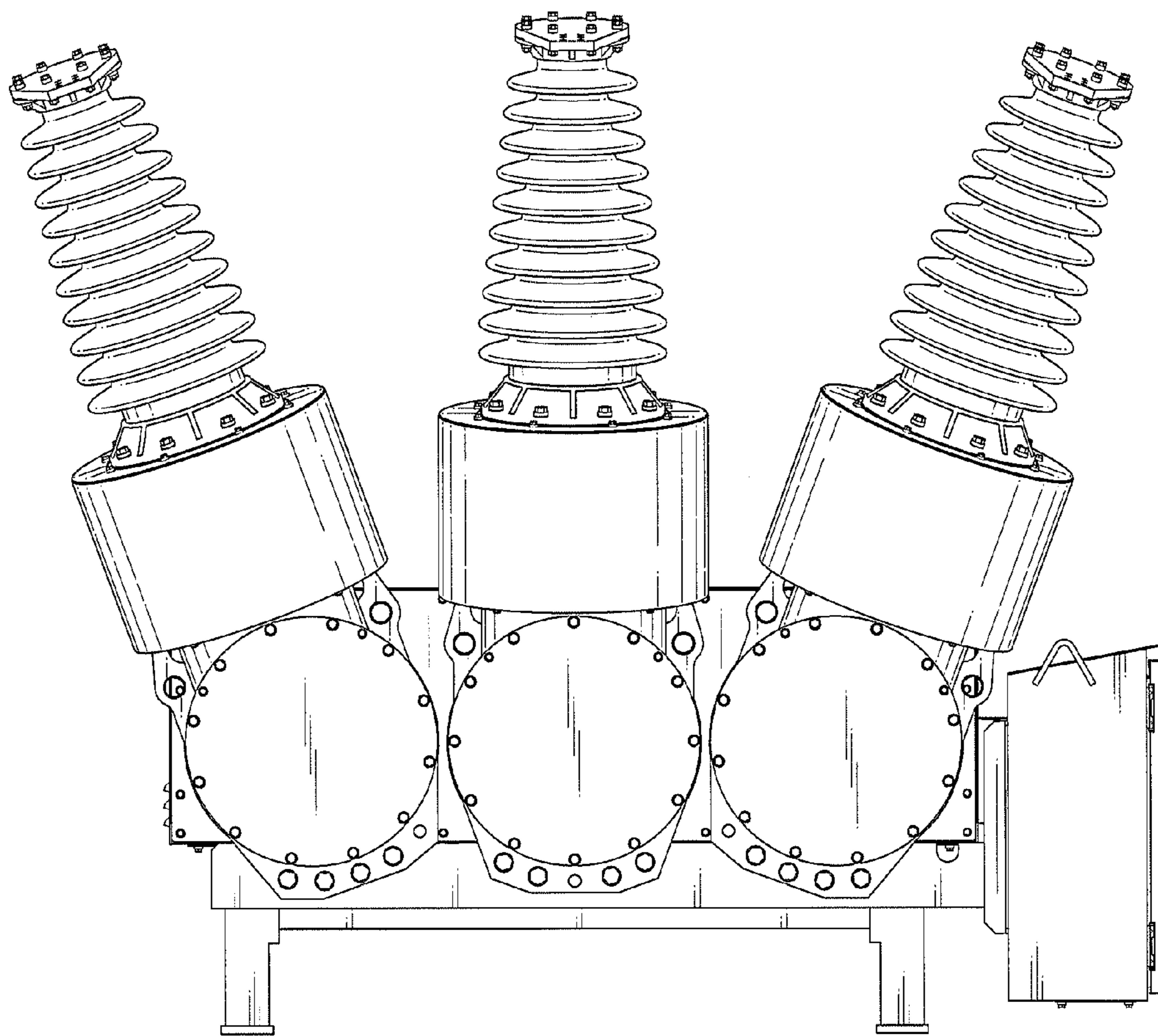


Fig. 4

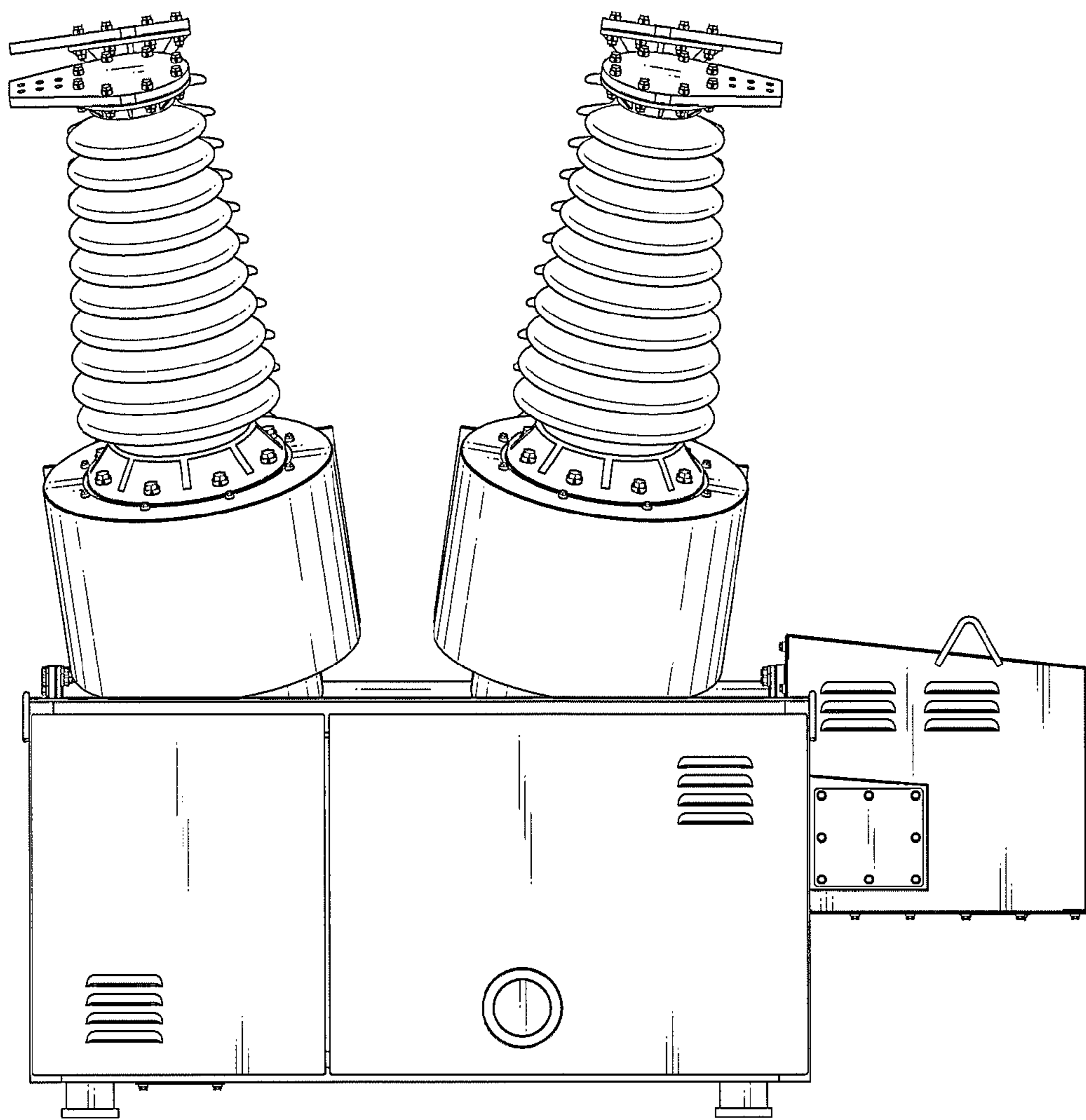


Fig. 5

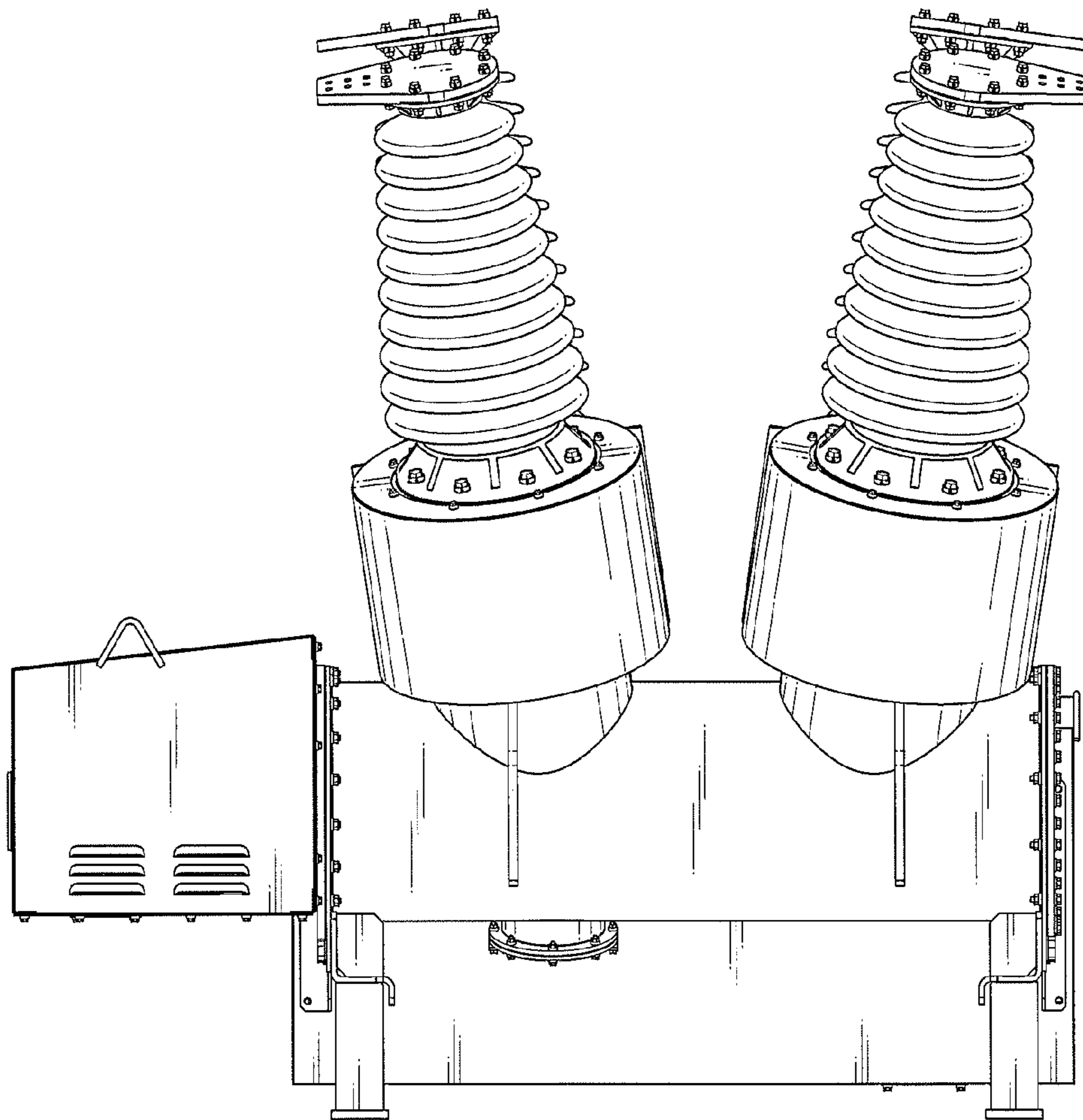


Fig. 6

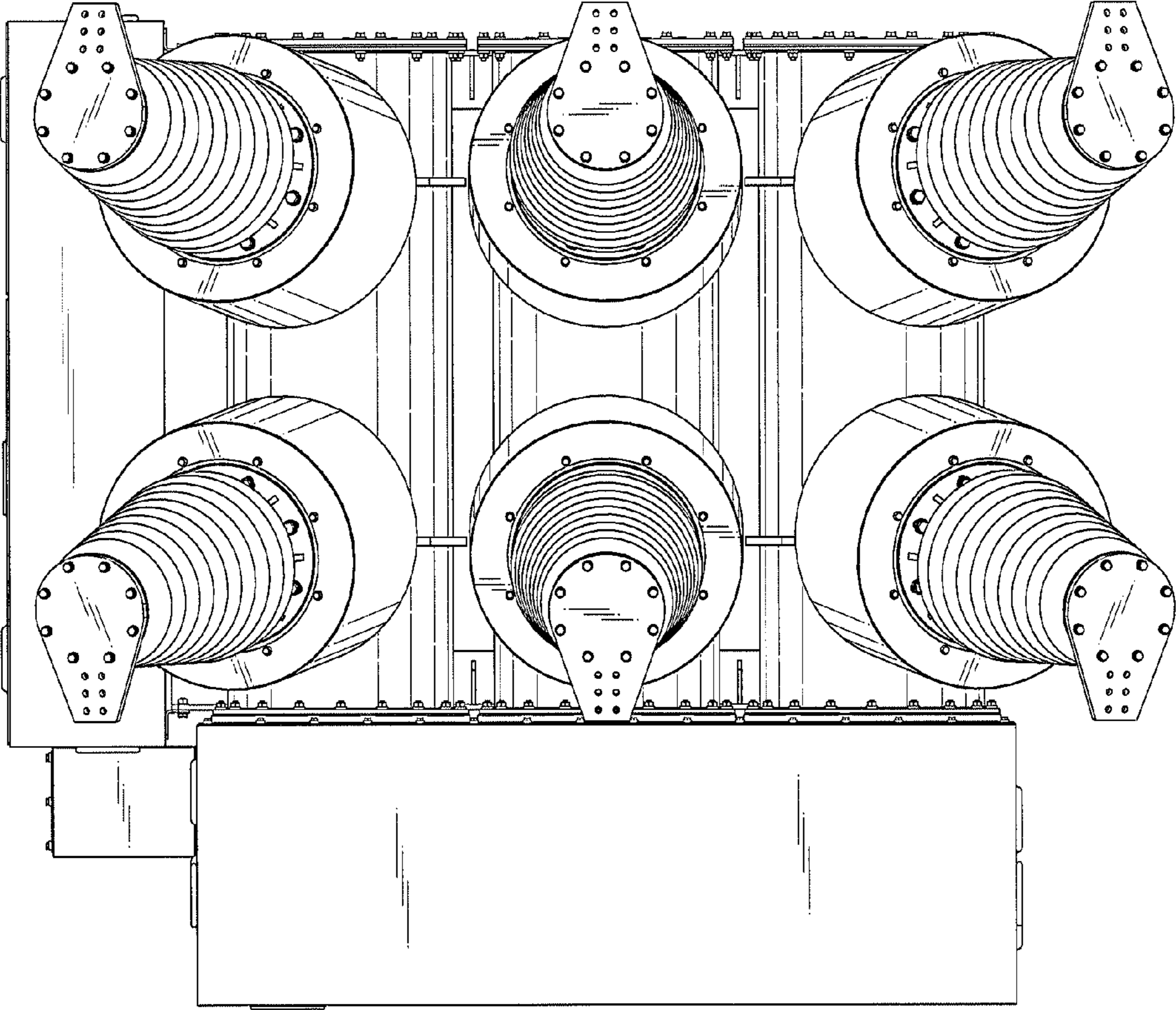


Fig. 7

