



US00D698320S

(12) **United States Design Patent**
Condo et al.

(10) **Patent No.:** **US D698,320 S**
(45) **Date of Patent:** **** Jan. 28, 2014**

- (54) **ELECTRICAL RECEPTACLE HOUSING**
- (71) Applicant: **Hubbell Incorporated**, Shelton, CT (US)
- (72) Inventors: **Mark Andrew Condo**, Seymour, CT (US); **Thomas Louis Scanzillo**, Monroe, CT (US); **William Henry Dietz**, Branford, CT (US)
- (73) Assignee: **Hubbell Incorporated**, Shelton, CT (US)
- (**) Term: **14 Years**
- (21) Appl. No.: **29/451,171**
- (22) Filed: **Mar. 28, 2013**
- (51) **LOC (10) Cl.** **13-03**
- (52) **U.S. Cl.**
USPC **D13/154**
- (58) **Field of Classification Search**
USPC D13/133, 154, 184, 199; 439/79, 248, 439/258, 274, 35, 352, 353, 358, 359, 362, 439/378, 445, 447, 578, 584, 585, 656, 66, 439/676, 677, 678, 679, 68, 681, 682, 686
See application file for complete search history.

- 6,255,607 B1 * 7/2001 Miller 200/50.29
- D639,243 S * 6/2011 Gharib et al. D13/133
- D648,271 S * 11/2011 Spilker et al. D13/133
- D667,791 S * 9/2012 Angel et al. D13/133
- D680,494 S * 4/2013 Hirakawa D13/133
- D683,313 S * 5/2013 Hirakawa et al. D13/133
- D688,629 S * 8/2013 Spilker et al. D13/133

* cited by examiner

Primary Examiner — Thomas Johannes

(74) *Attorney, Agent, or Firm* — Alan I. Cantor; Mark S. Bicks; Alfred N. Goodman

(57) **CLAIM**

The ornamental design for an electrical receptacle housing, as shown and described.

DESCRIPTION

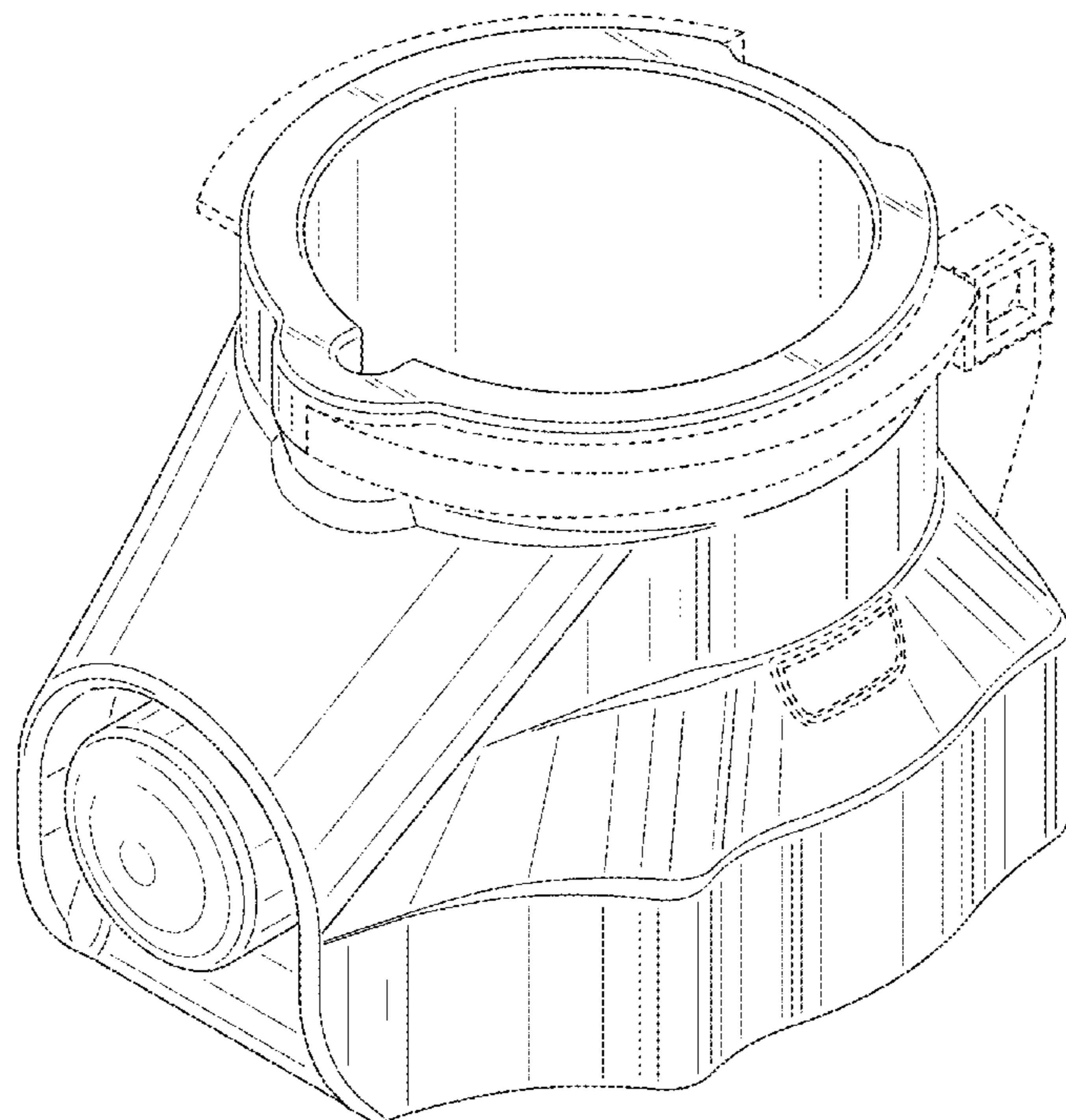
FIG. 1 is a perspective view of an electrical receptacle housing according to the invention, taken from its top, front and right side;
 FIG. 2 is a front elevational view thereof;
 FIG. 3 is a rear elevational view thereof;
 FIG. 4 is a left side elevational view thereof;
 FIG. 5 is a right side elevational view thereof;
 FIG. 6 is a top plan view thereof;
 FIG. 7 is a bottom plan view thereof;
 FIG. 8 is a perspective view thereof, taken from its top, rear and left side; and,
 FIG. 9 is a perspective view thereof, taken from its bottom, rear and right side.
 The broken lines illustrate portions of the electrical receptacle housing that form no part of the claimed design.

1 Claim, 9 Drawing Sheets

(56) **References Cited**

U.S. PATENT DOCUMENTS

- 2,241,828 A * 5/1941 Reynolds 200/50.3
- 4,553,000 A * 11/1985 Appleton 200/50.29
- D369,782 S * 5/1996 Hashizawa et al. D13/154



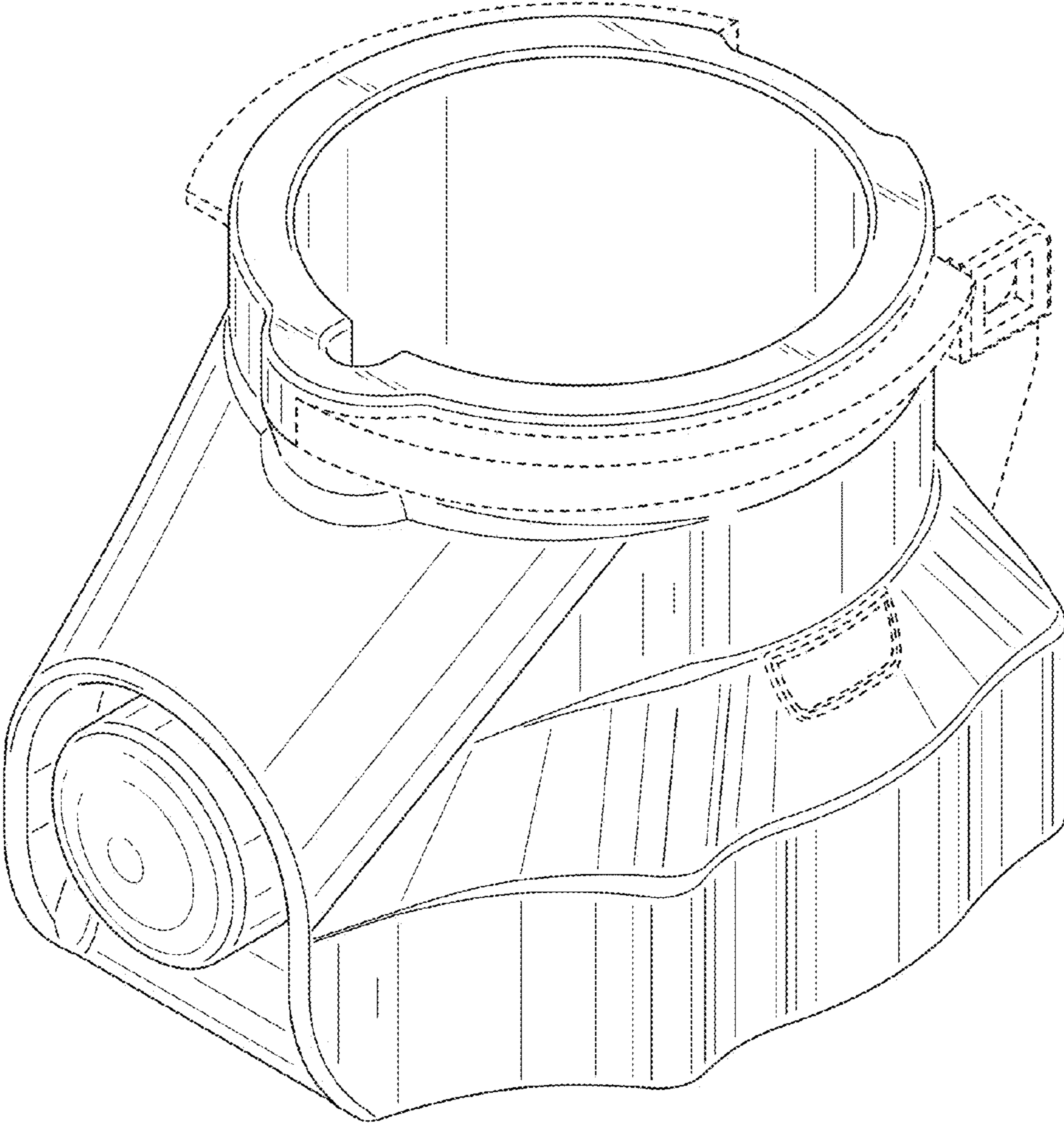


FIG. 1

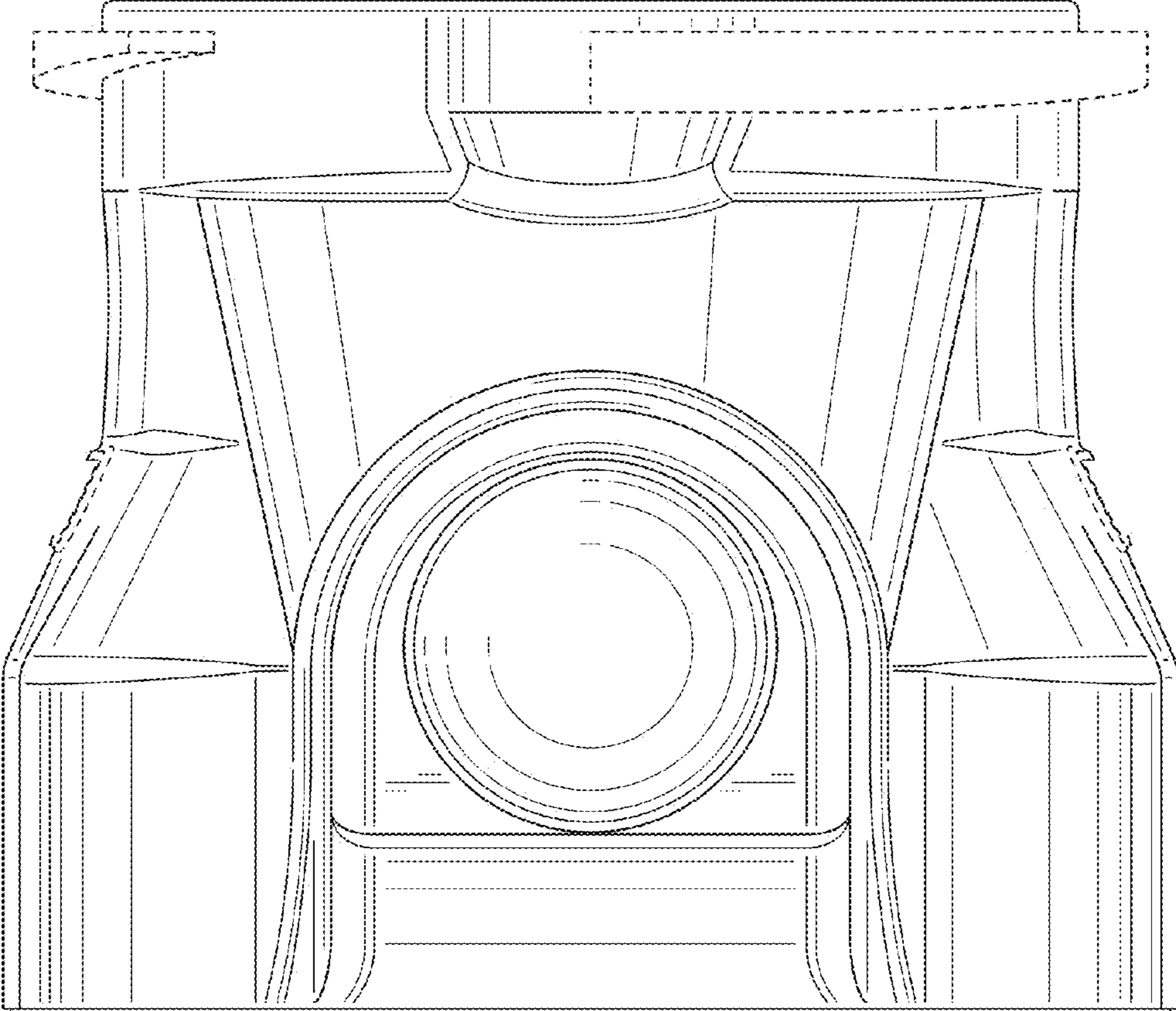


FIG. 2

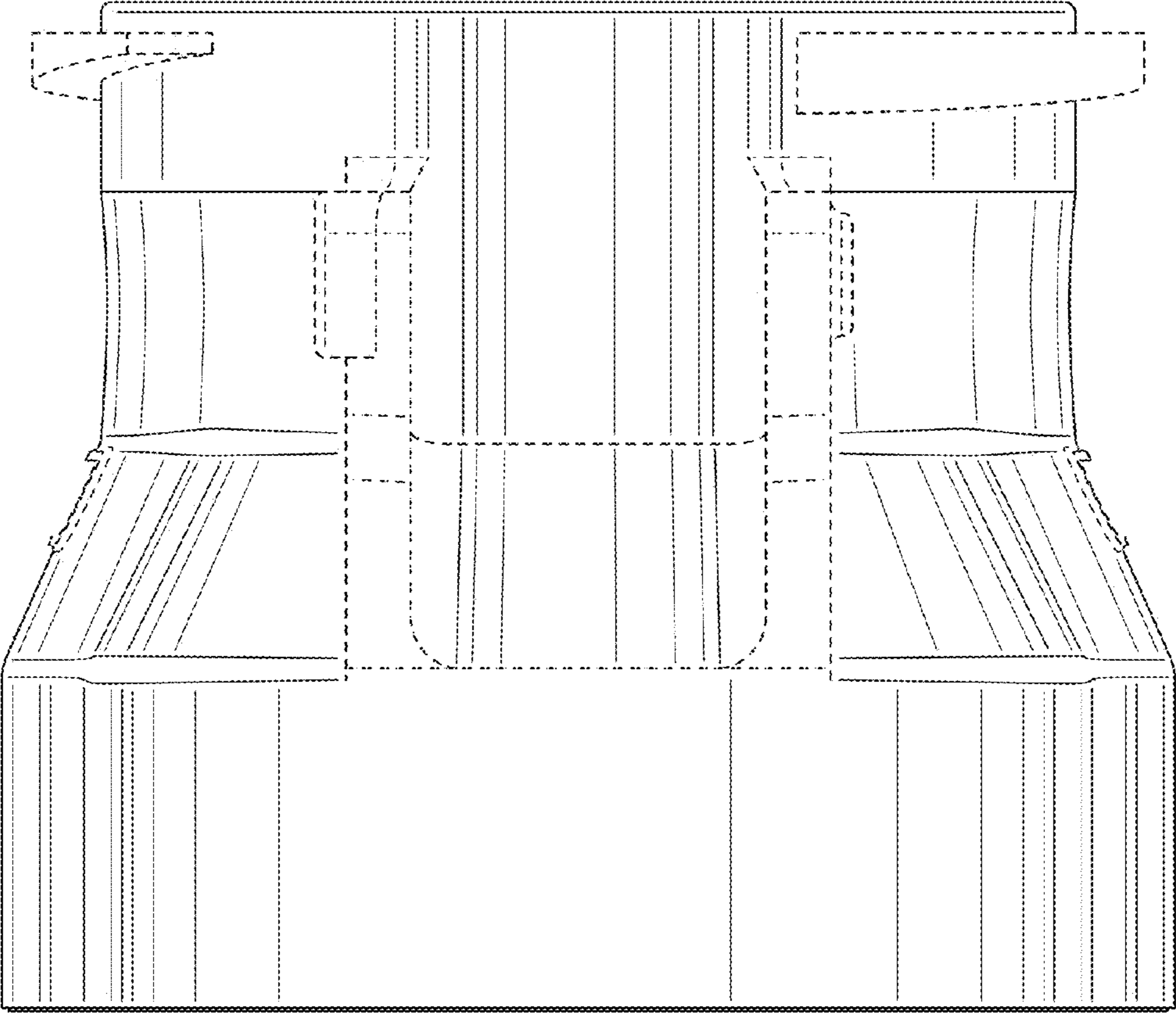


FIG. 3

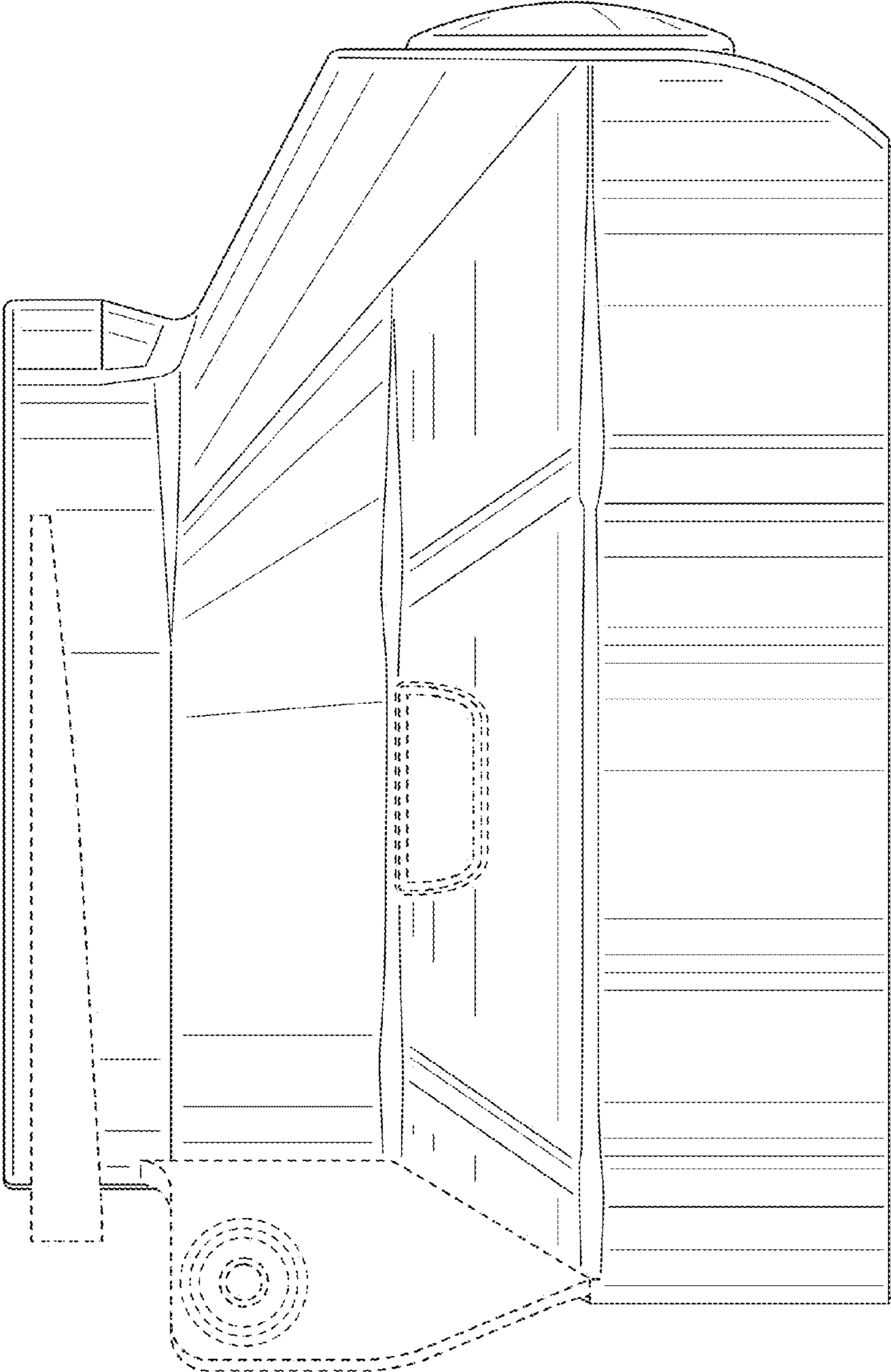


FIG. 4

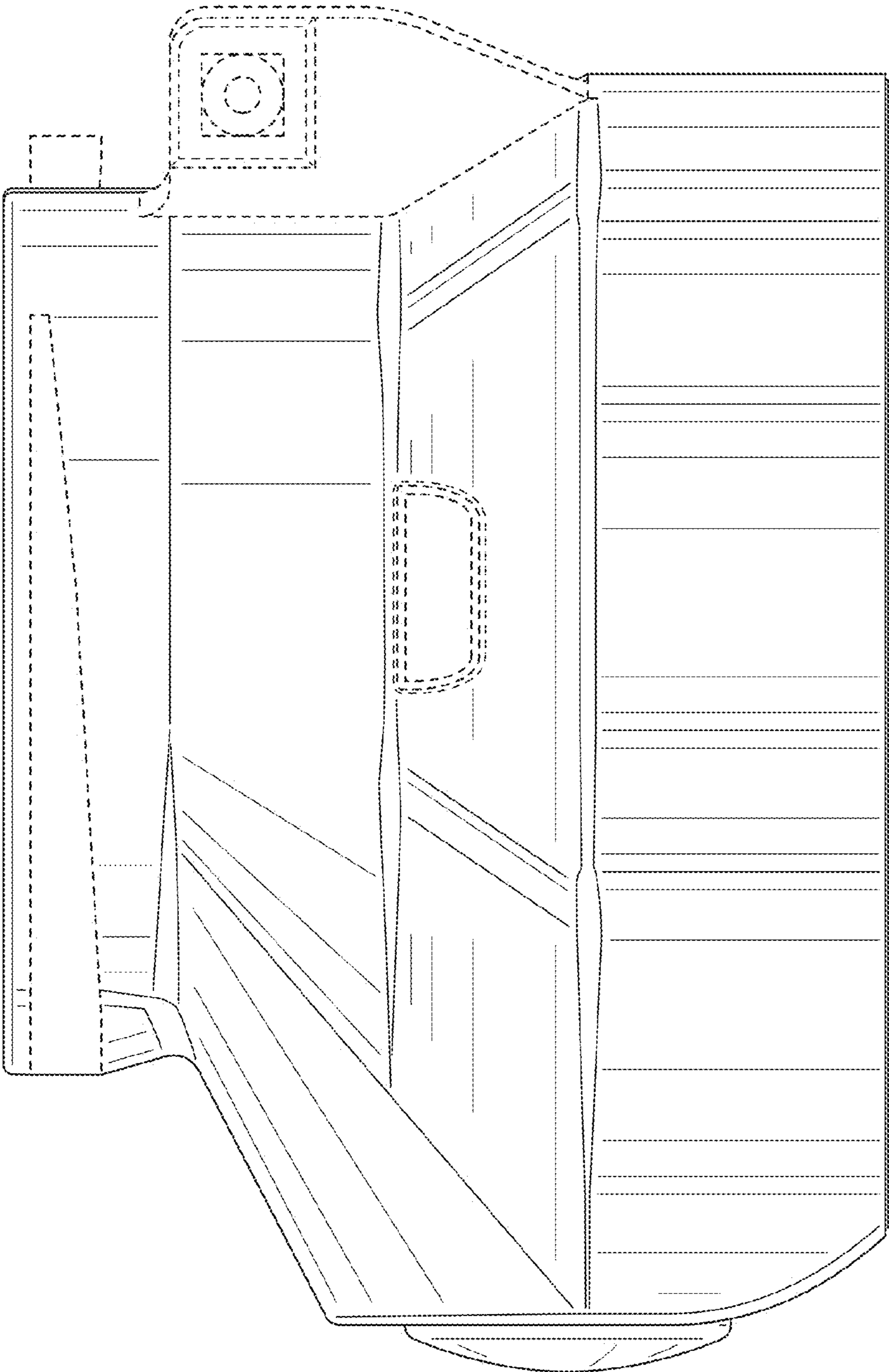


FIG. 5

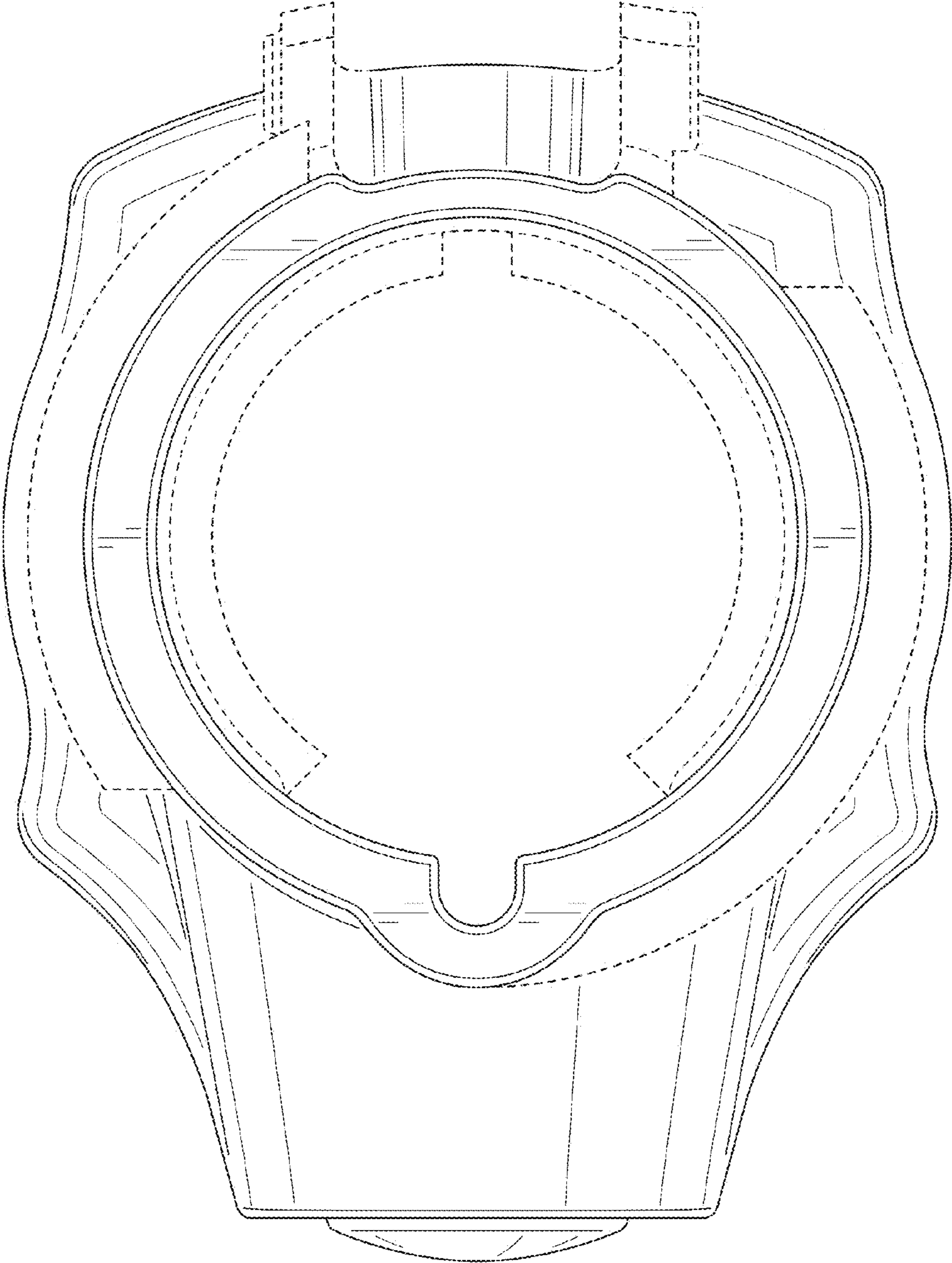


FIG. 6

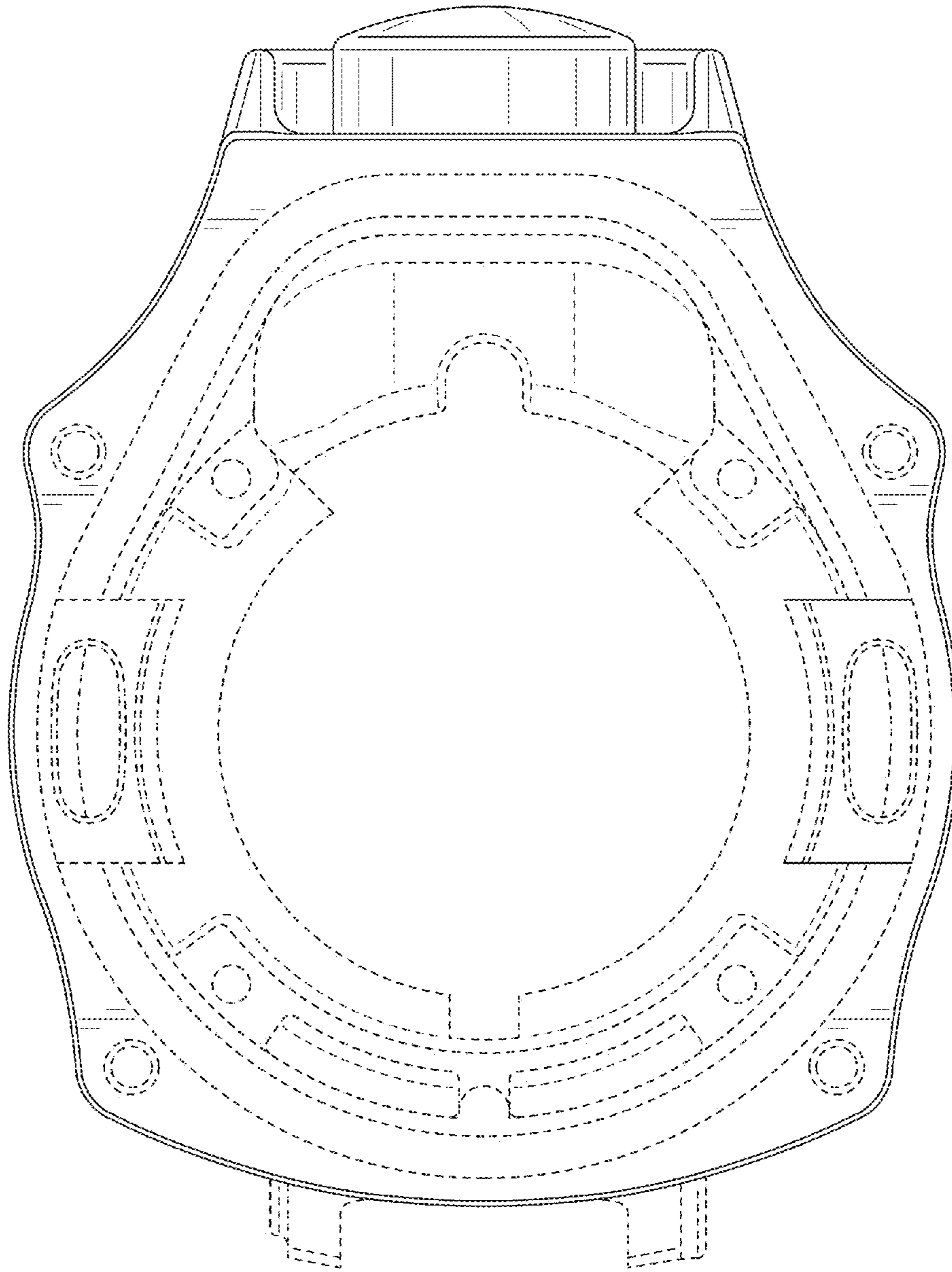


FIG. 7

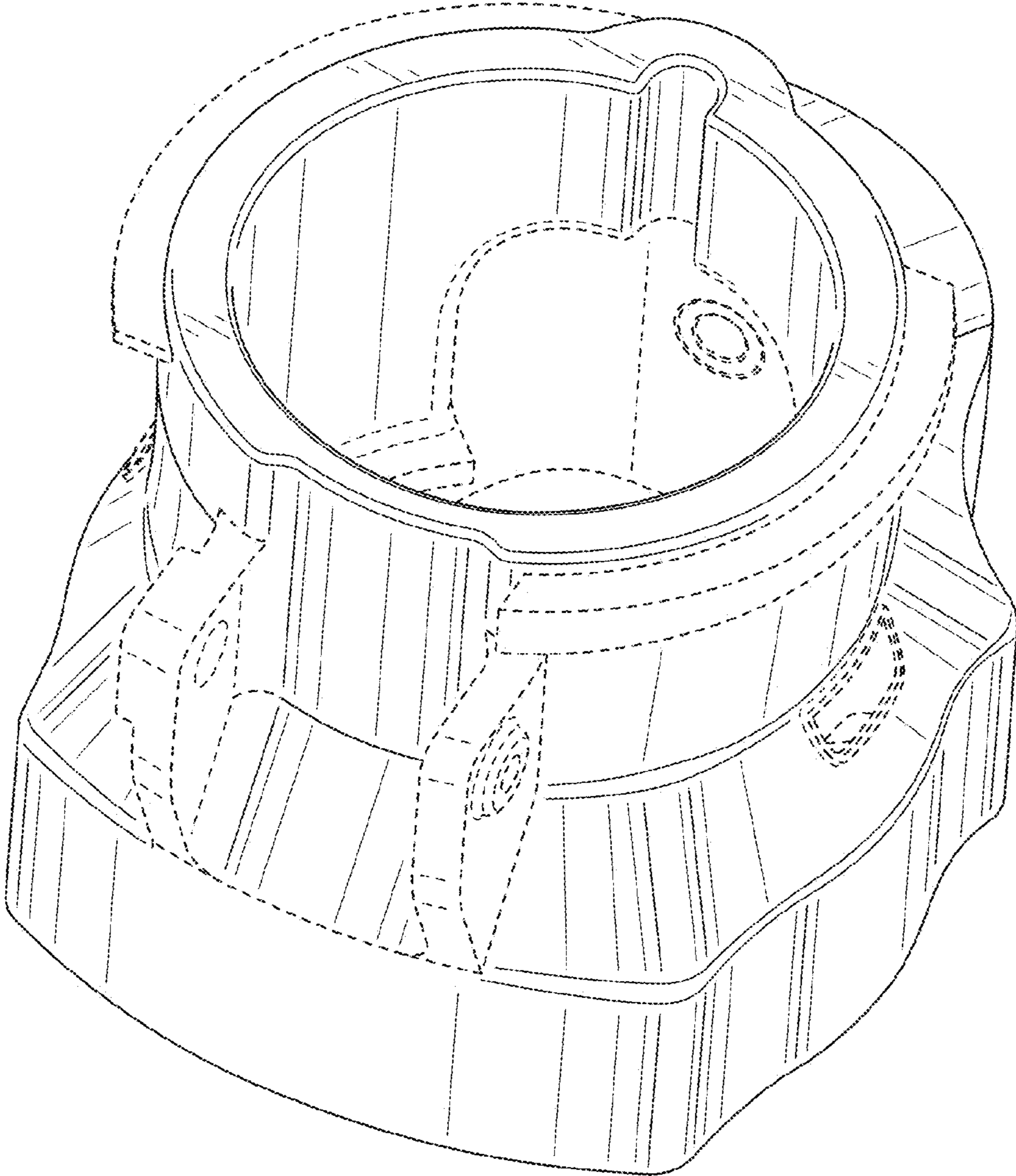


FIG. 8

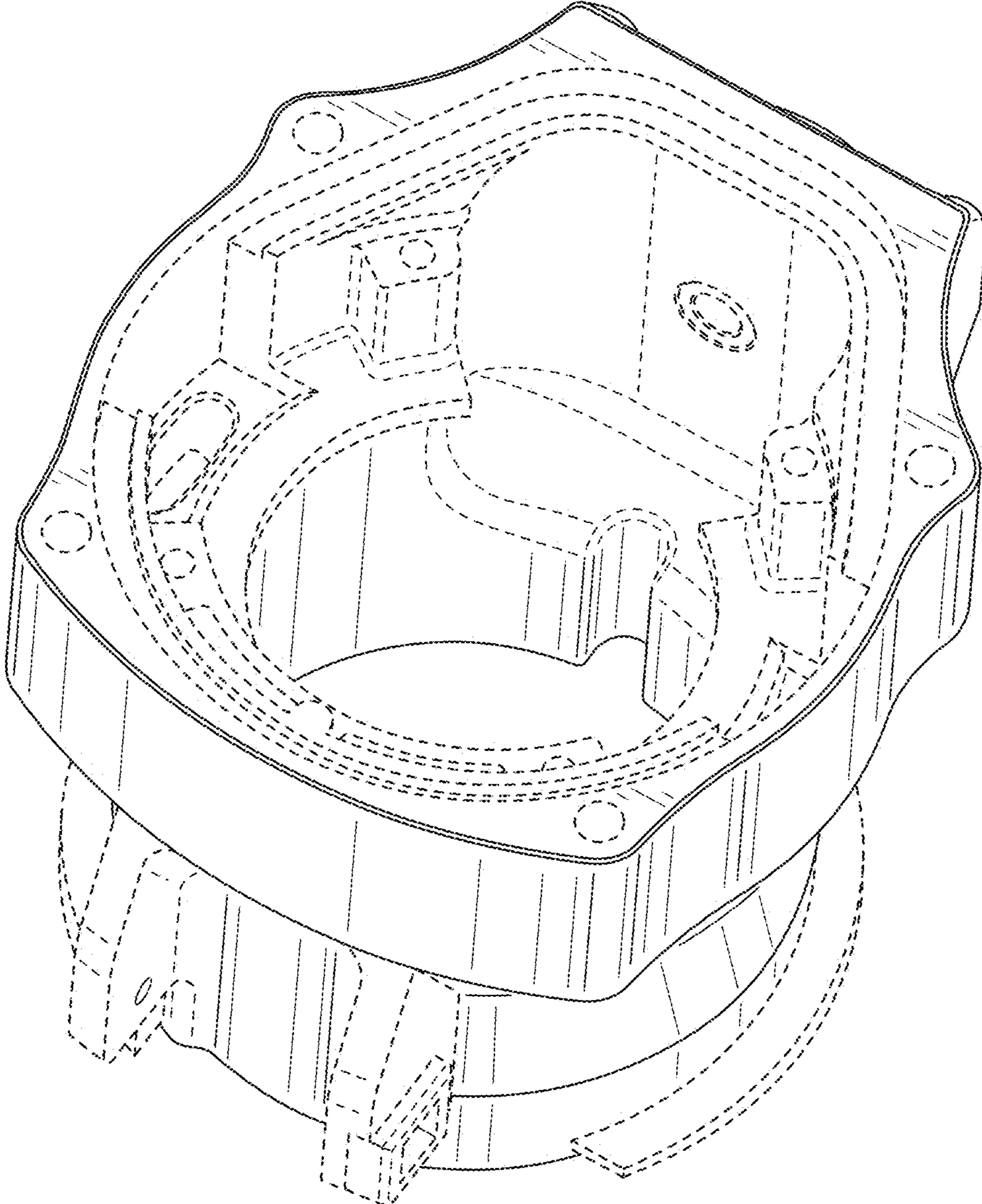


FIG. 9