



US00D698318S

(12) **United States Design Patent**  
**Villen Hernandez et al.**

(10) **Patent No.:** **US D698,318 S**  
(45) **Date of Patent:** **\*\* Jan. 28, 2014**

(54) **JUNCTION BOX**

(75) Inventors: **Francisco Villen Hernandez**, Saragossa (ES); **Juan Carlos Campos Sancho**, Saragossa (ES)

(73) Assignee: **Incaelec, S.L.U.** (ES)

(\*\*) Term: **14 Years**

(21) Appl. No.: **29/422,805**

(22) Filed: **May 24, 2012**

(30) **Foreign Application Priority Data**

Nov. 25, 2011 (EM) ..... 001953035

(51) **LOC (10) Cl.** ..... **13-03**

(52) **U.S. Cl.**  
USPC ..... **D13/152**

(58) **Field of Classification Search**  
USPC ..... D13/139.5, 161, 137.2, 137.1, 133, 127,  
D13/124, 139.8, 139.1, 154, 156, 184, 199,  
D13/153, 155, 152, 177, 138.1; D14/205,  
D14/228; D7/300.2

See application file for complete search history.

(56) **References Cited**

U.S. PATENT DOCUMENTS

D320,796 S *	10/1991	Smith .....	D14/240
D507,539 S *	7/2005	Hull et al. ....	D13/152
D545,765 S *	7/2007	Cockburn .....	D13/147
D665,363 S *	8/2012	Lin et al. ....	D13/156

\* cited by examiner

*Primary Examiner* — Robert M Spear

*Assistant Examiner* — Rhea Shields

(74) *Attorney, Agent, or Firm* — Cantor Colburn LLP

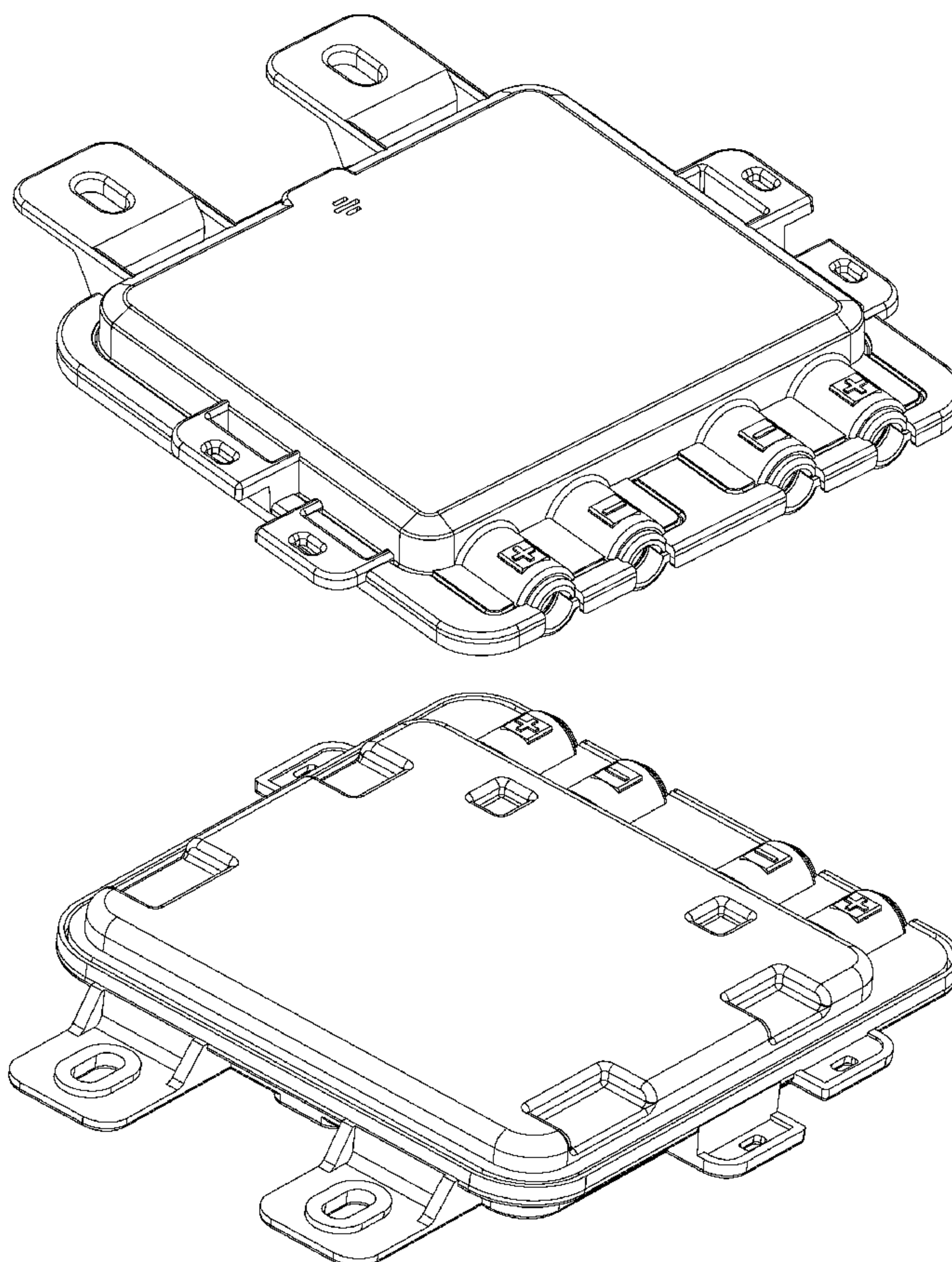
(57) **CLAIM**

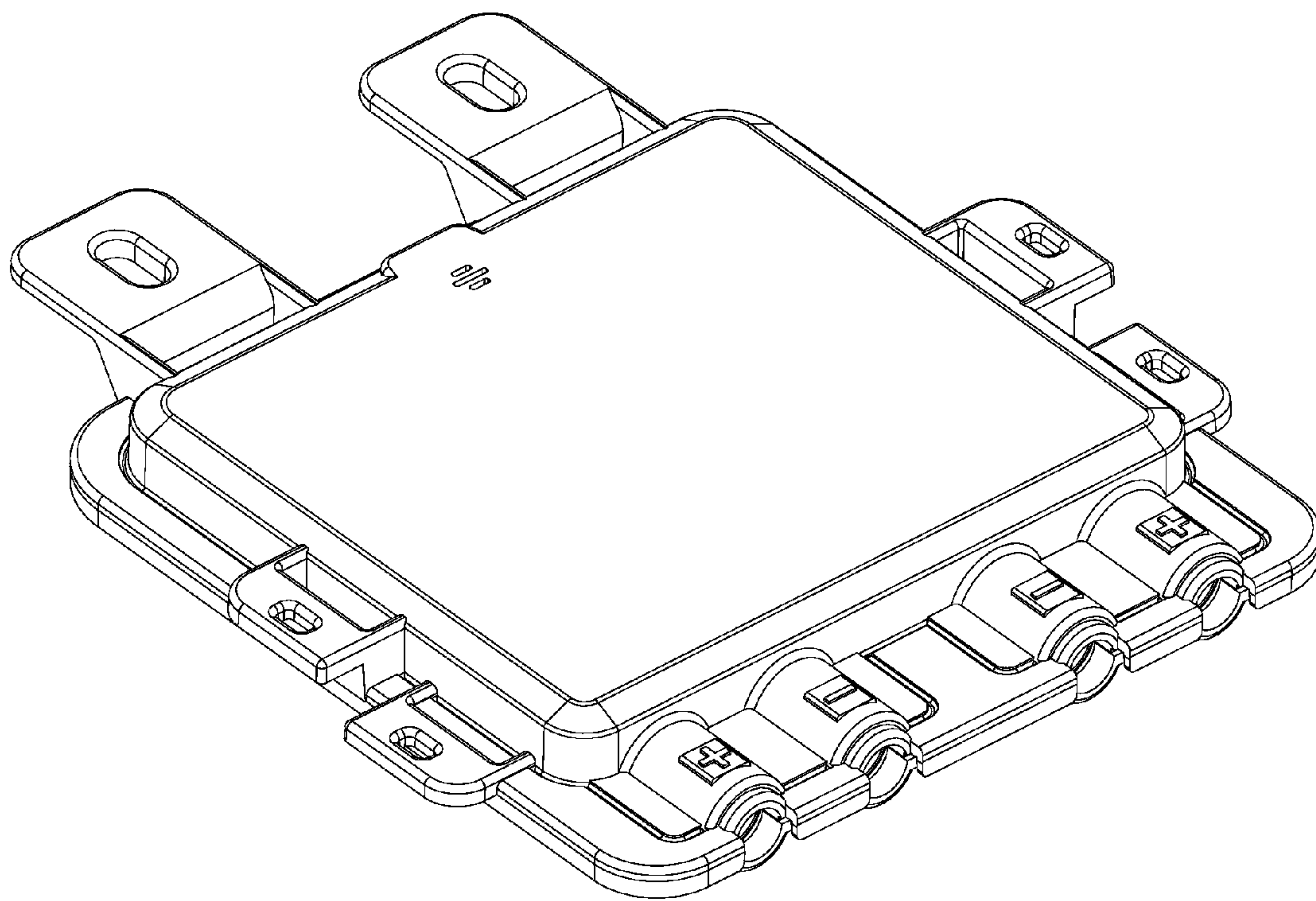
We claim, the ornamental design for junction box, as shown and described.

**DESCRIPTION**

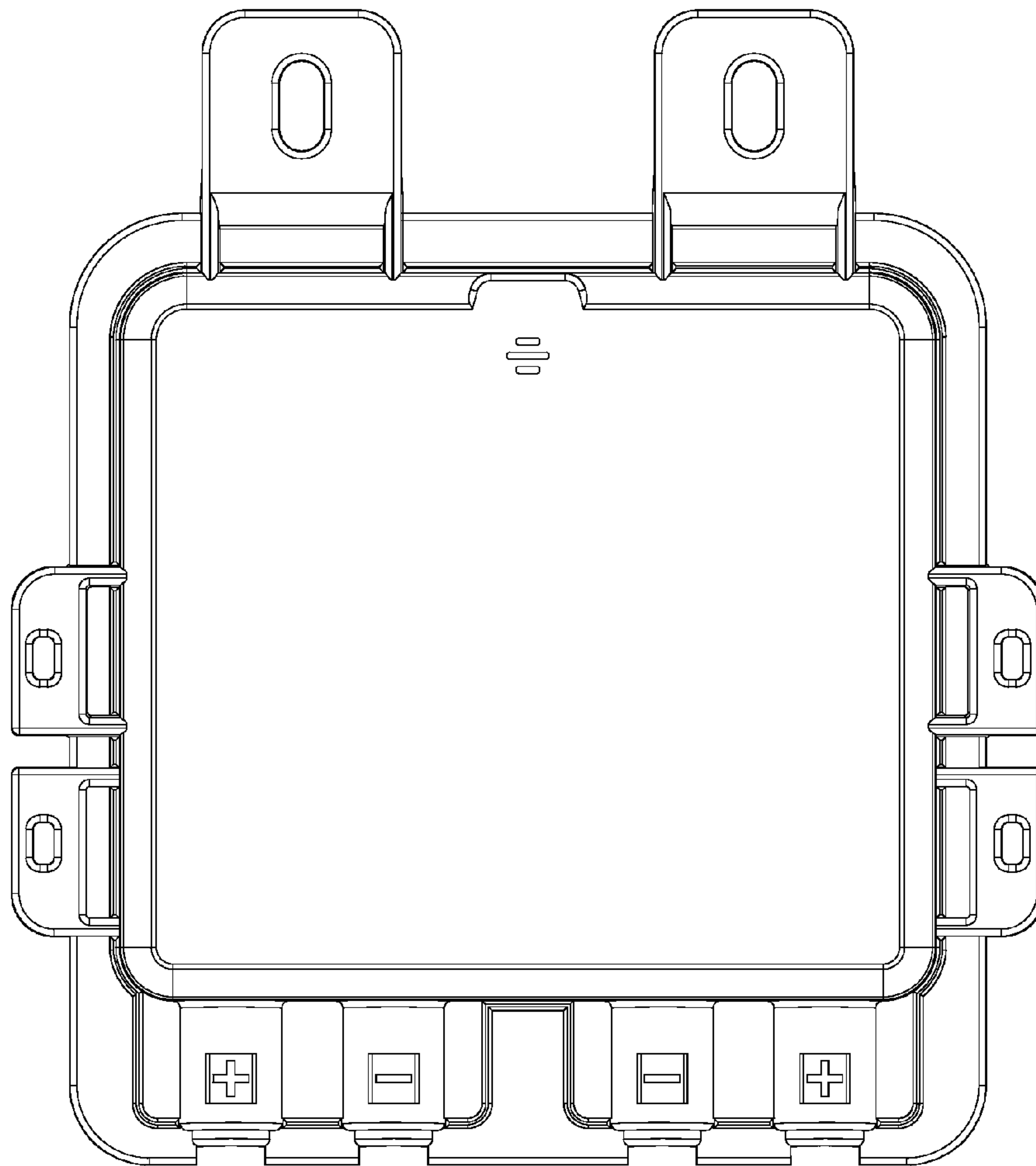
FIG. 1 is a top perspective view of a junction box, showing our new design;  
FIG. 2 is a top plan view thereof;  
FIG. 3 is a first side elevation view thereof;  
FIG. 4 is a second side elevation view thereof;  
FIG. 5 is a bottom plan view thereof;  
FIG. 6 is a third side view thereof;  
FIG. 7 is a fourth side view thereof; and,  
FIG. 8 is a bottom perspective view thereof.

**1 Claim, 8 Drawing Sheets**

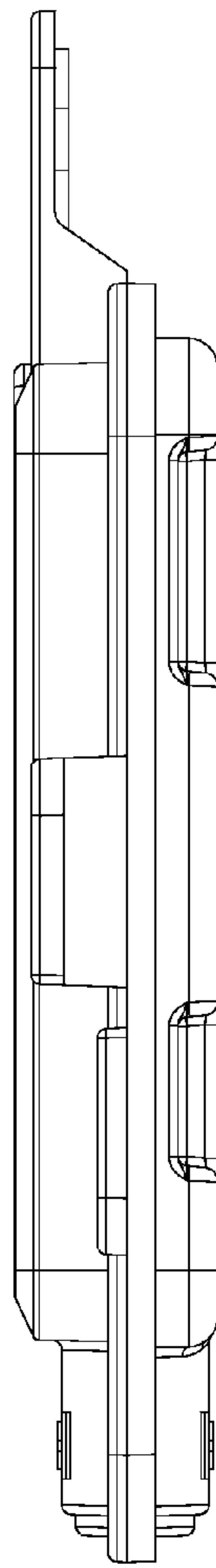




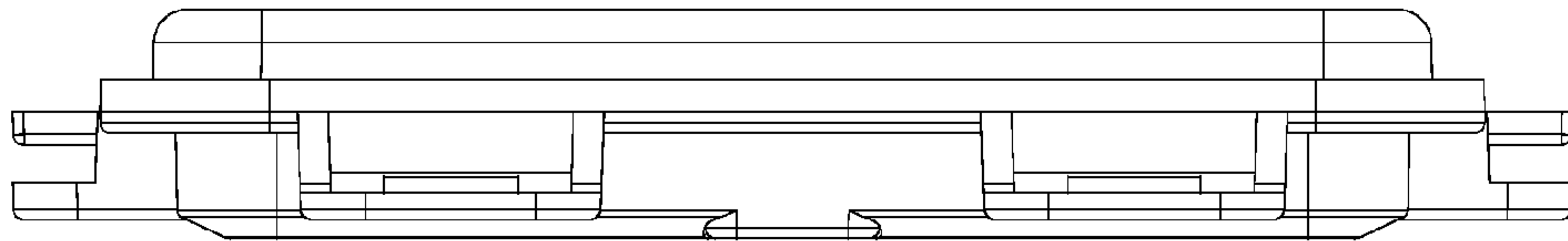
**FIG. 1**



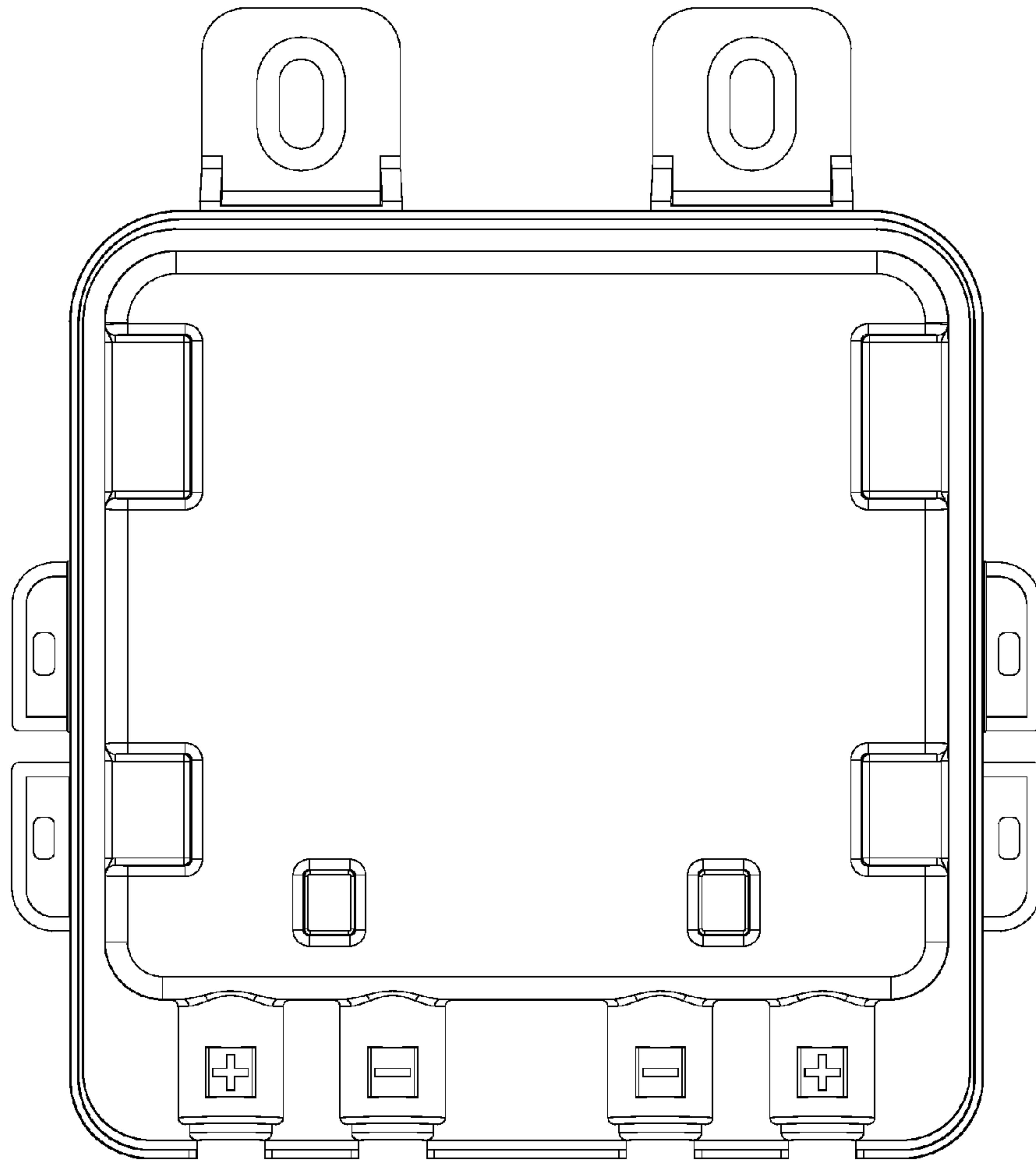
**FIG. 2**



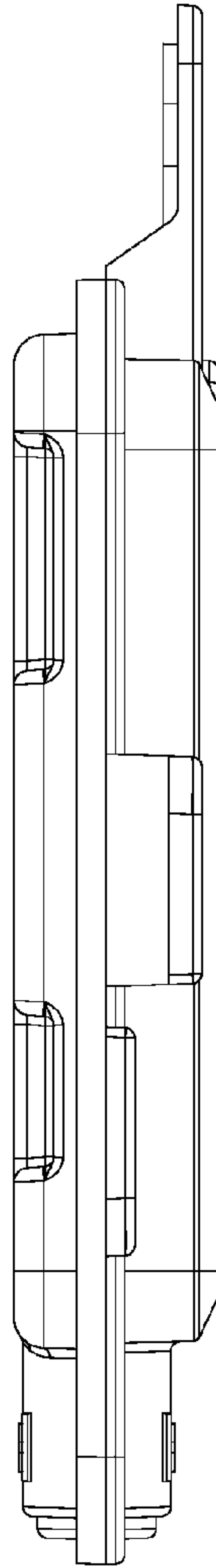
**FIG. 3**



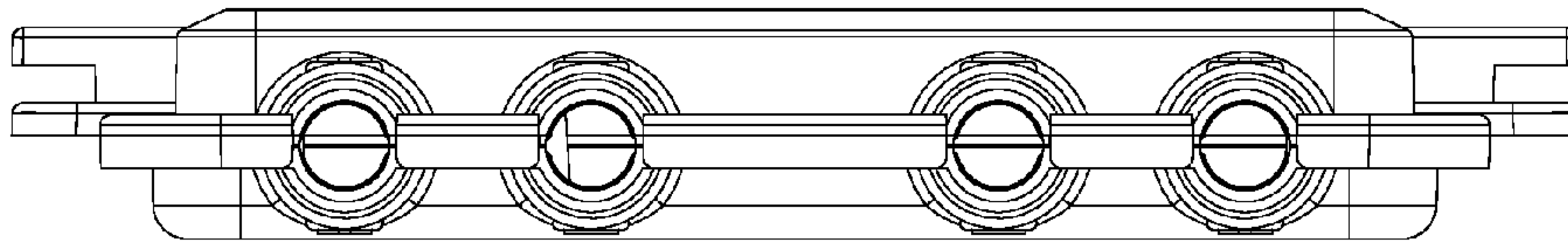
**FIG. 4**



**FIG. 5**

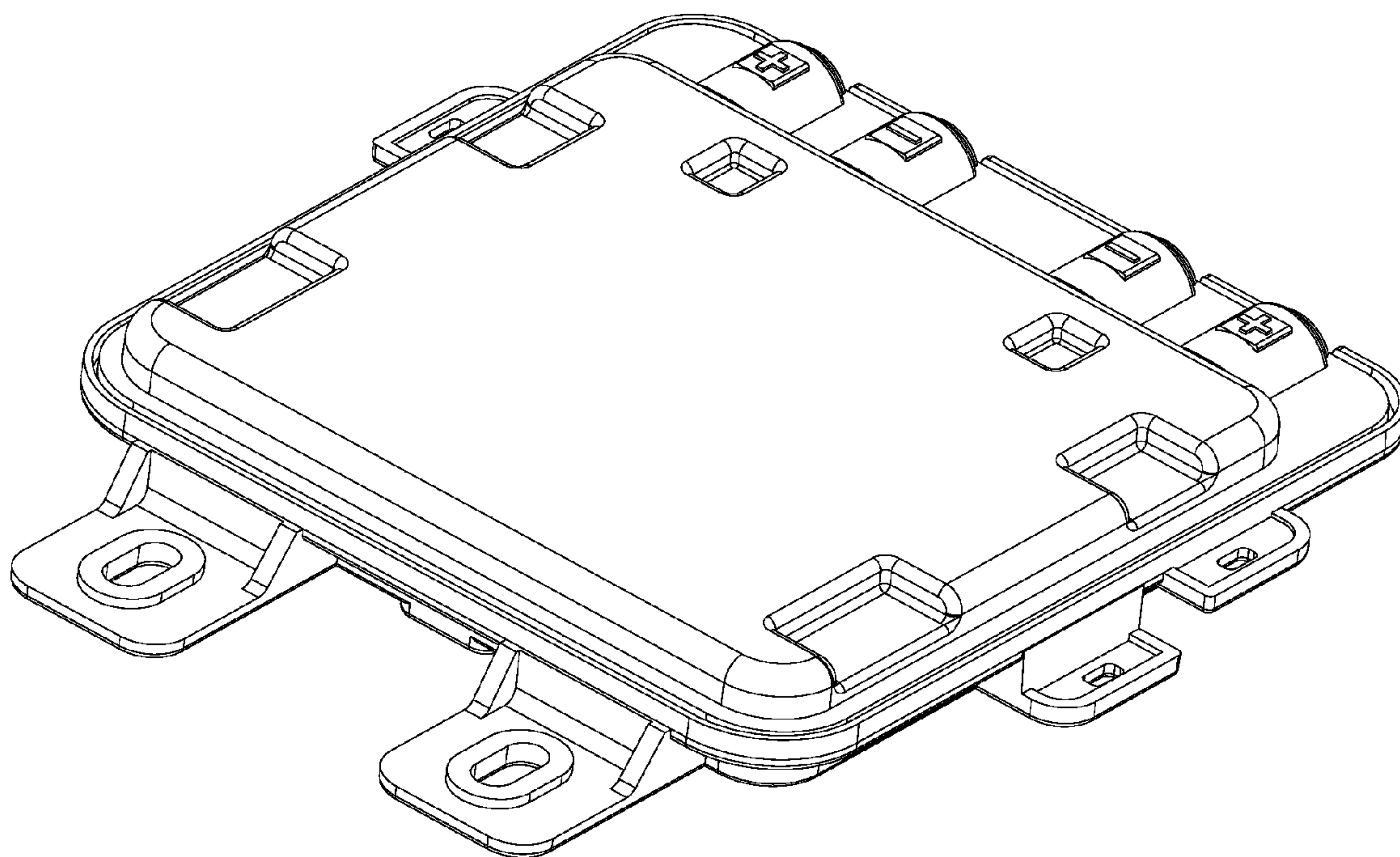


**FIG. 6**



**FIG. 7**





**FIG. 8**