



US00D698316S

(12) **United States Design Patent**
Yong et al.

(10) **Patent No.:** **US D698,316 S**
(45) **Date of Patent:** **** Jan. 28, 2014**

(54) **CONNECTOR**

- (71) Applicant: **Motorola Solutions, Inc.**, Schaumburg, IL (US)
- (72) Inventors: **Rit Fui Yong**, Singapore (SG); **Ian R Jenkins**, Stonybrook, NY (US); **Scott H Richards**, Plantation, FL (US); **Chin Sen Tang**, Taiping (MY); **Lawan Tangsakul**, Singapore (SG)
- (73) Assignee: **Motorola Solutions, Inc.**, Schaumburg, IL (US)
- (**) Term: **14 Years**
- (21) Appl. No.: **29/460,964**
- (22) Filed: **Jul. 17, 2013**

Related U.S. Application Data

- (62) Division of application No. 29/399,553, filed on Aug. 16, 2011.
- (51) **LOC (10) Cl.** **13-03**
- (52) **U.S. Cl.**
USPC **D13/147**
- (58) **Field of Classification Search**
USPC D13/133, 146, 147, 154, 184, 199;
439/350, 352, 439, 447, 582, 607.01,
439/607.04, 607.05, 607.17, 607.25,
439/607.34, 607.41, 607.53, 660, 677, 682
See application file for complete search history.

(56) **References Cited**

U.S. PATENT DOCUMENTS

4,838,808	A *	6/1989	Fujiura	439/357
D415,111	S *	10/1999	Lee	D13/154
6,428,357	B1 *	8/2002	Dolinshek et al.	439/606
D471,870	S *	3/2003	Lee	D13/147
D514,524	S *	2/2006	Suckle	D13/156
D550,158	S *	9/2007	Victor	D13/146
D553,092	S *	10/2007	Arai et al.	D13/147
D618,178	S *	6/2010	Andre et al.	D13/147
D630,582	S *	1/2011	Dai et al.	D13/146
D676,812	S *	2/2013	Smith et al.	D13/146

* cited by examiner

Primary Examiner — Daniel Bui

(74) *Attorney, Agent, or Firm* — Barbara R. Doutre

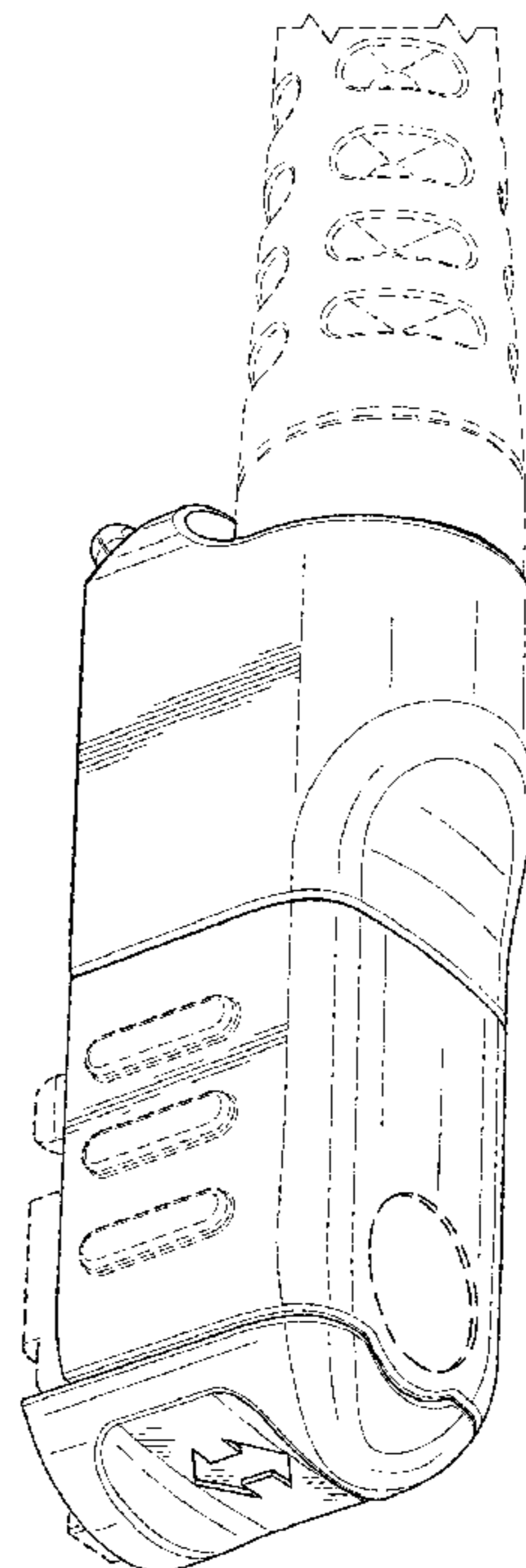
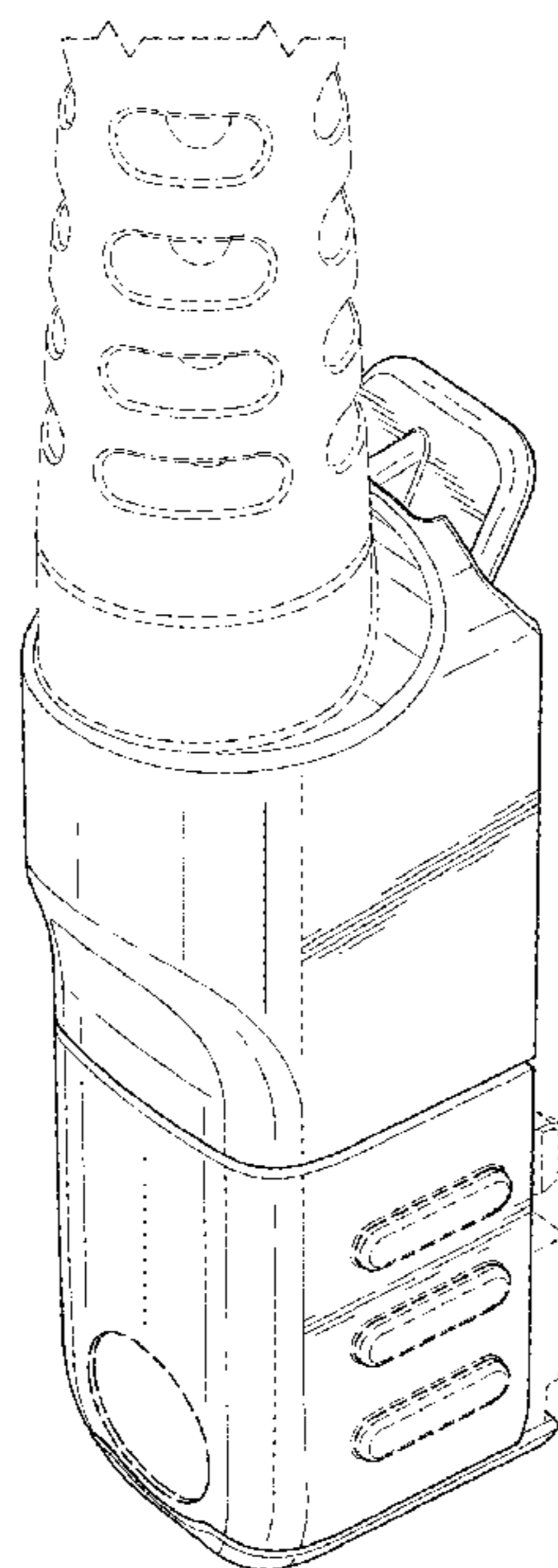
(57) **CLAIM**

The ornamental design for a connector, as shown and described.

DESCRIPTION

FIG. 1 is a front and right side perspective view of a connector showing our new design;
 FIG. 2 is a front and left side perspective view thereof;
 FIG. 3 is a front elevation thereof;
 FIG. 4 is a rear elevation thereof;
 FIG. 5 is a left side elevation thereof;
 FIG. 6 is a right side elevation thereof;
 FIG. 7 is a top plan view thereof; and,
 FIG. 8 is a bottom plan view thereof.
 The broken line portions of the figure drawings are included for the purpose of illustrating environment and form no part of the claimed design.

1 Claim, 5 Drawing Sheets



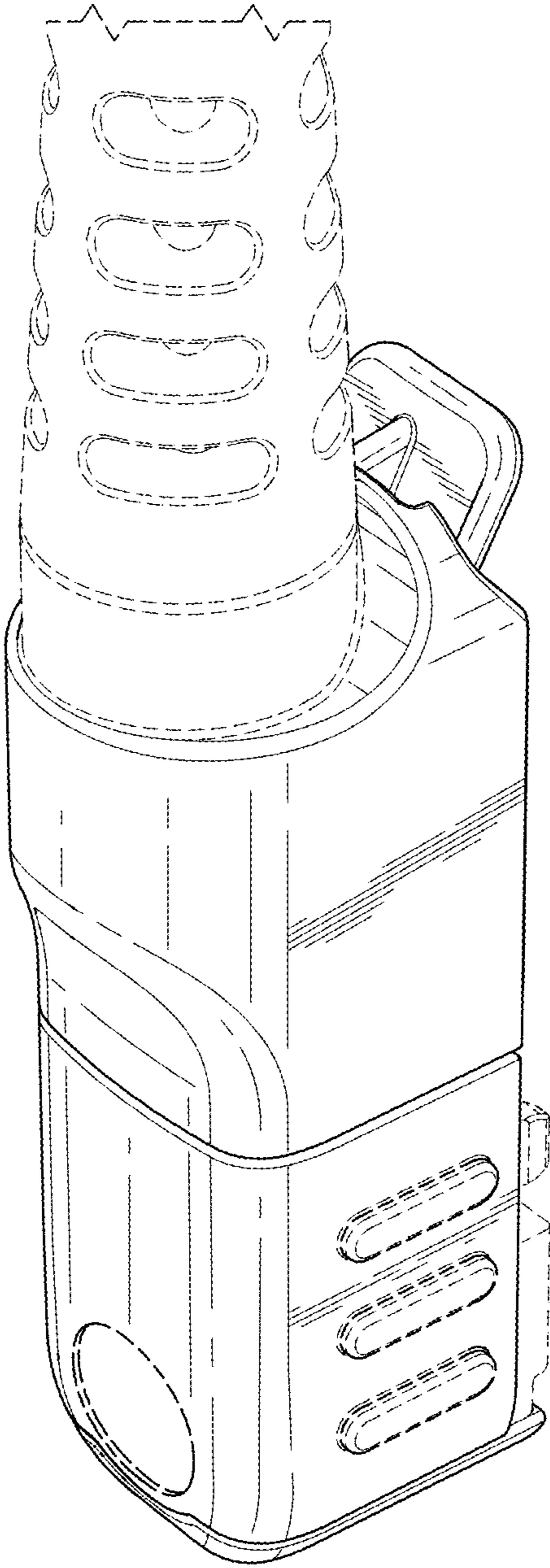


FIG. 1

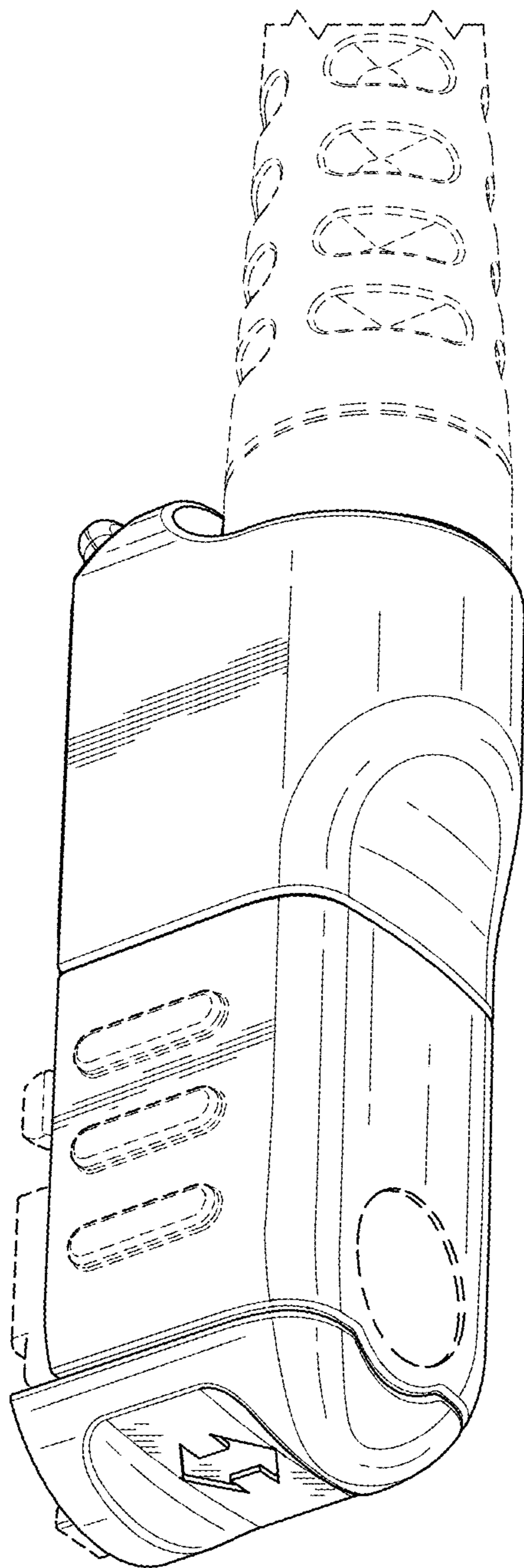


FIG. 2

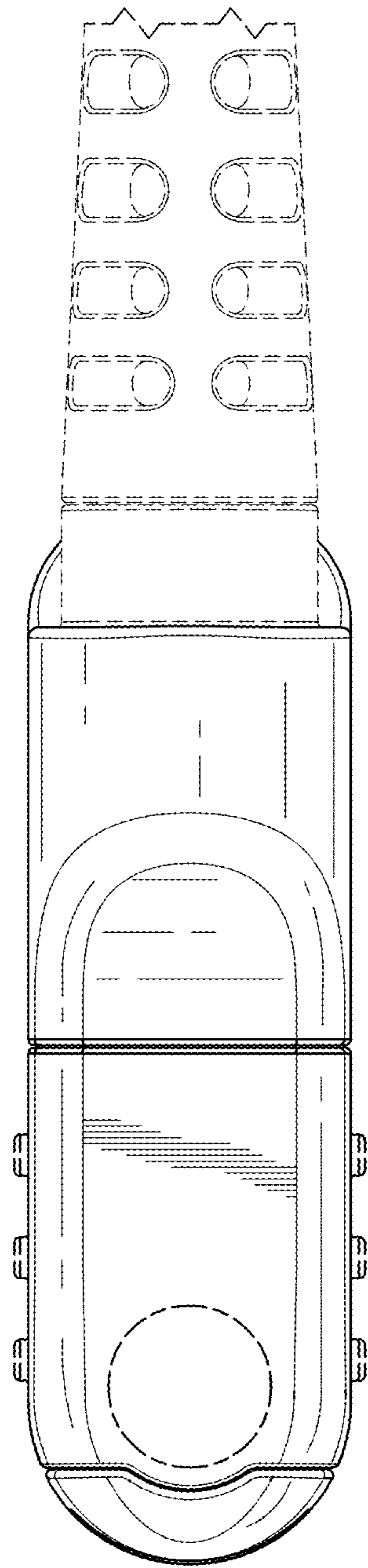


FIG. 3

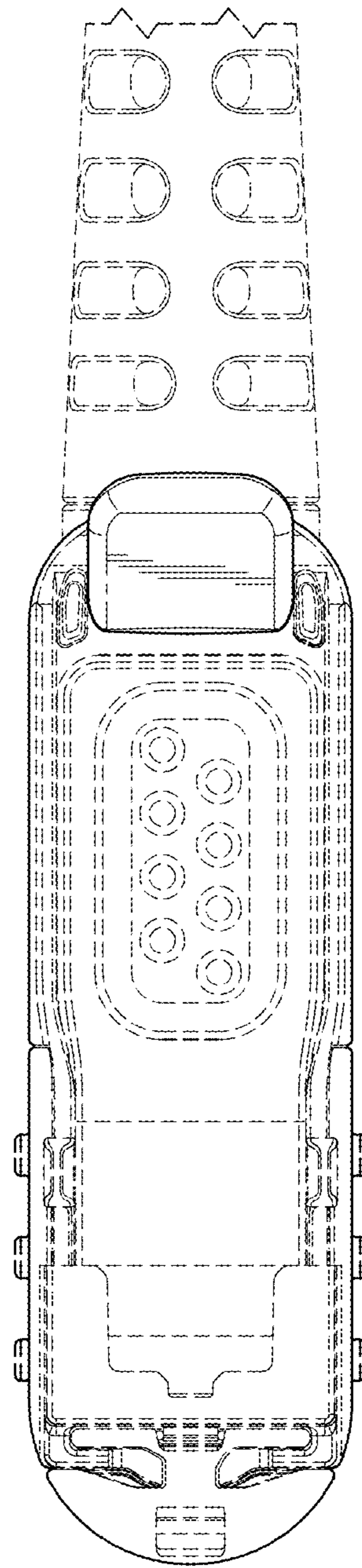


FIG. 4

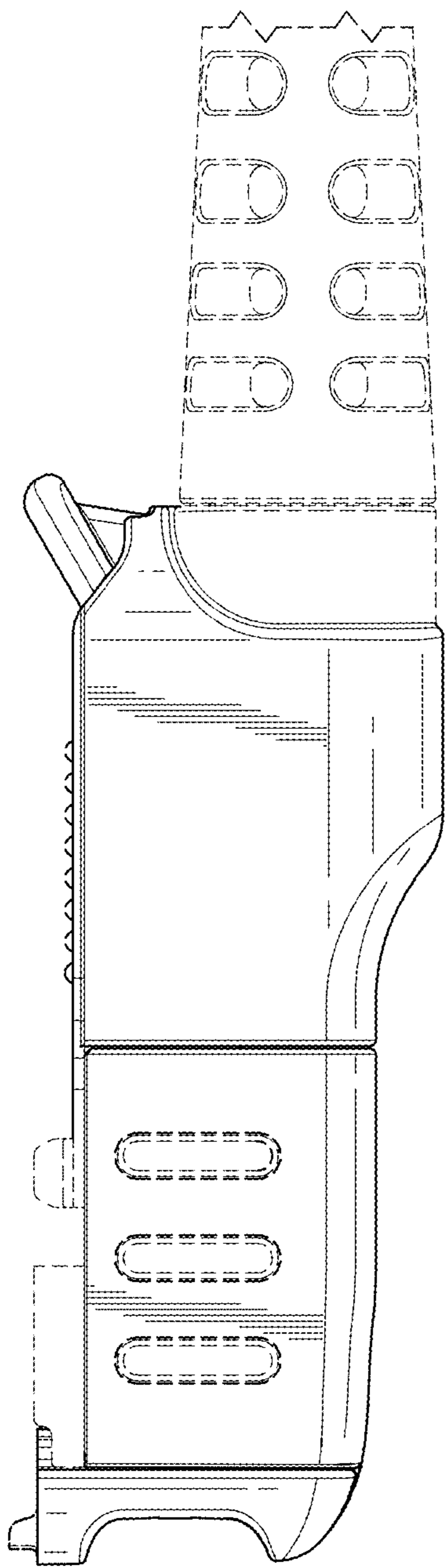


FIG. 5

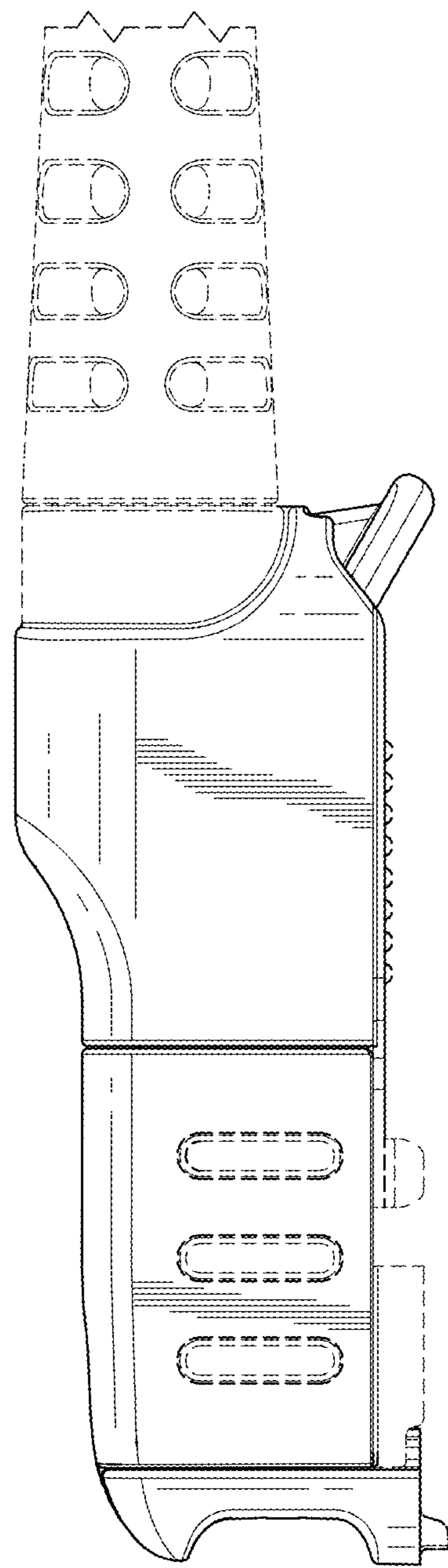


FIG. 6

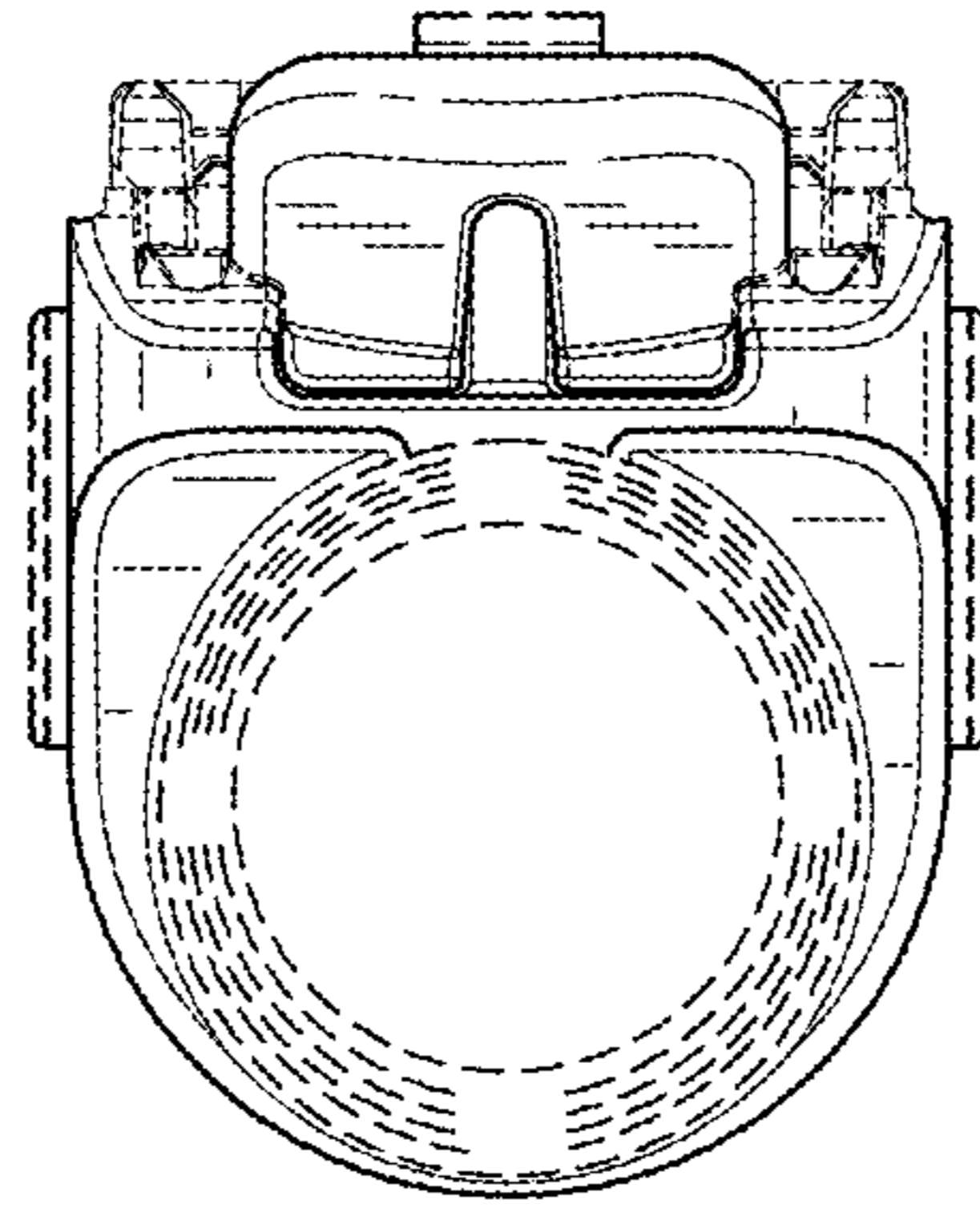


FIG. 7

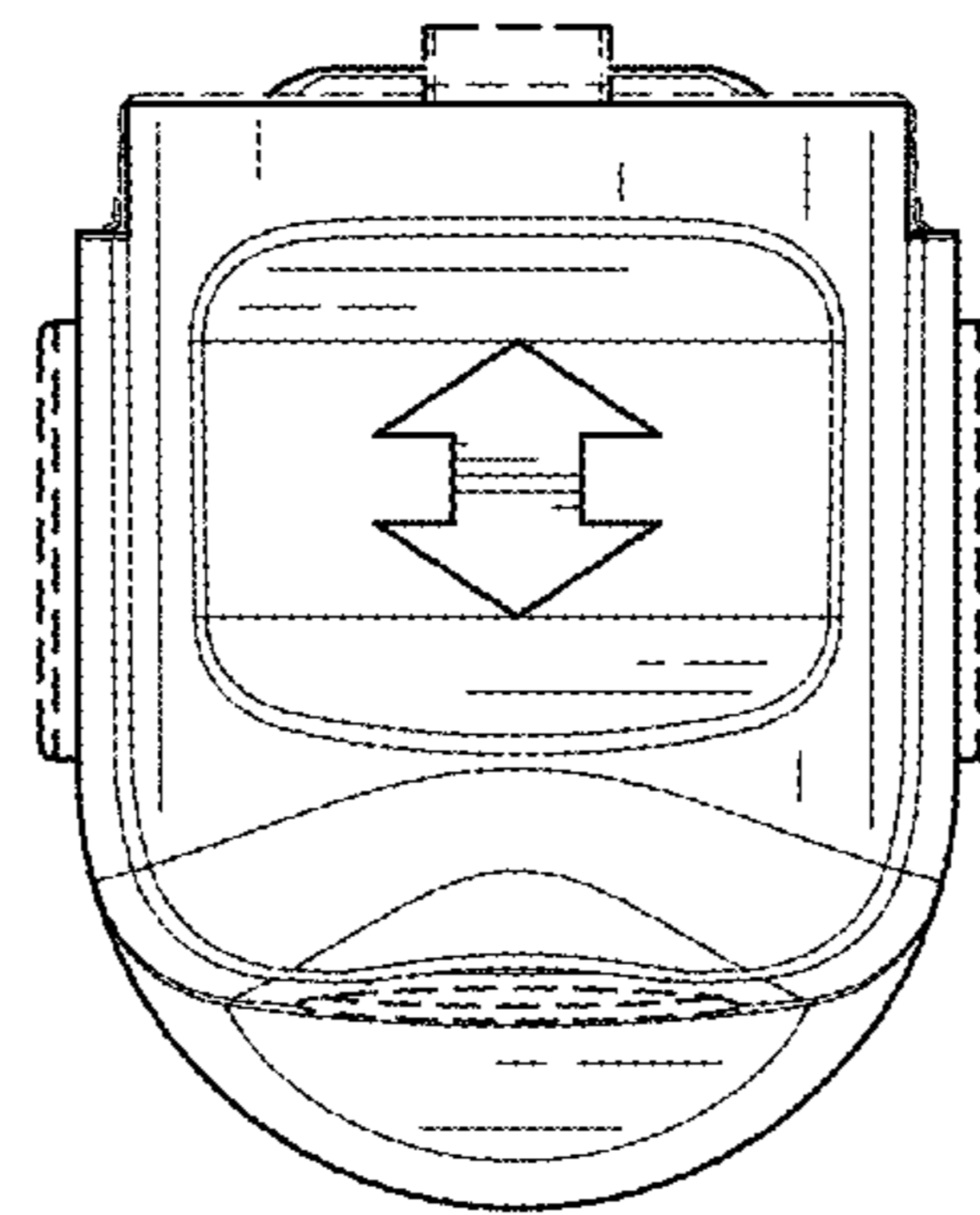


FIG. 8