



US00D698315S

(12) **United States Design Patent**
Takasaki et al.

(10) **Patent No.:** **US D698,315 S**
(45) **Date of Patent:** **** Jan. 28, 2014**

(54) **ELECTRICAL CONNECTOR**

(75) Inventors: **Masamitsu Takasaki**, Kanagawa (JP);
Yuji Naito, Kanagawa (JP); **Mitsuhiro Tomita**, Kanagawa (JP)

(73) Assignee: **Molex Incorporated**, Lisle, IL (US)

(**) Term: **14 Years**

(21) Appl. No.: **29/403,989**

(22) Filed: **Oct. 13, 2011**

(30) **Foreign Application Priority Data**

Apr. 13, 2011 (JP) 2011-008537

(51) **LOC (10) Cl.** **13-03**

(52) **U.S. Cl.**
USPC **D13/147**

(58) **Field of Classification Search**
USPC D13/147, 154, 184, 199; 439/64, 79,
439/159-160, 330, 331, 341, 342, 629, 630,
439/636, 660, 607.01, 607.04, 607.05,
439/607.17, 607.25, 607.34, 607.41,
439/607.53, 862, 884, 946
See application file for complete search history.

(56) **References Cited**

U.S. PATENT DOCUMENTS

D518,783 S * 4/2006 Takagi et al. D13/147
D568,250 S * 5/2008 Wu et al. D13/147

D576,954 S * 9/2008 Hsiao D13/147
D614,576 S * 4/2010 Chiang D13/147
D627,736 S * 11/2010 Gao et al. D13/147
D644,997 S * 9/2011 Su et al. D13/147
D664,503 S * 7/2012 Yang et al. D13/147
2012/0329330 A1* 12/2012 Uesaka et al. 439/630

* cited by examiner

Primary Examiner — Daniel Bui

(74) *Attorney, Agent, or Firm* — Timothy M. Morella

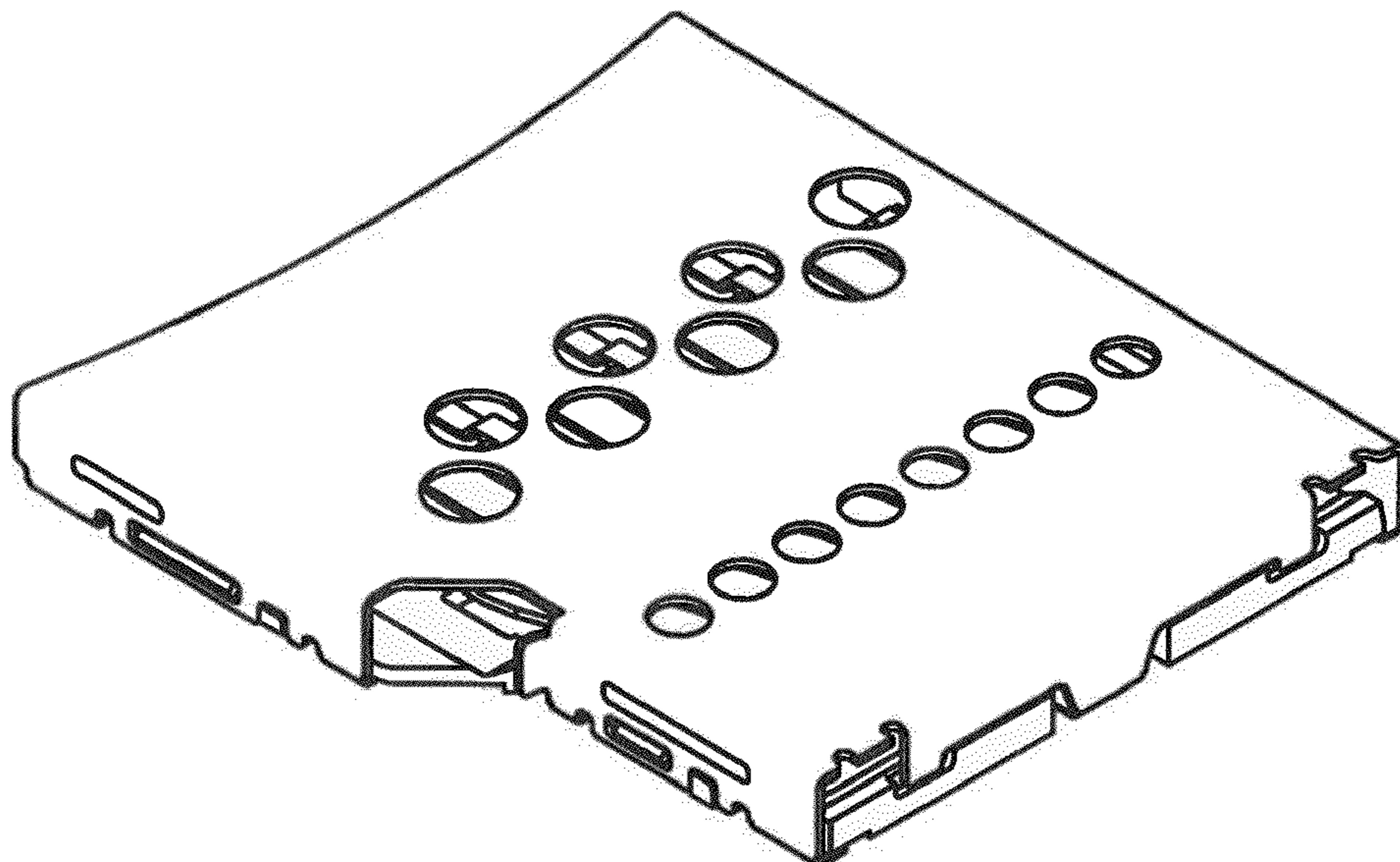
(57) **CLAIM**

The ornamental design for an electrical connector, as shown and described.

DESCRIPTION

FIG. 1 is a first top perspective view of an electrical connector that consists of a housing portion and the terminals portion in assembled condition, showing our new design; FIG. 2 is a second top perspective view thereof; FIG. 3 is a first bottom perspective view thereof; FIG. 4 is a second bottom perspective view thereof; FIG. 5 is a top plan view thereof; FIG. 6 is a bottom plan view thereof; FIG. 7 is a front elevation view thereof; FIG. 8 is a back elevation view thereof; FIG. 9 is a first side elevation view thereof; FIG. 10 is a second side elevation view thereof; FIG. 11 is a bottom perspective view of the housing portion; and, FIG. 12 is a perspective view of the terminals portion.

1 Claim, 5 Drawing Sheets



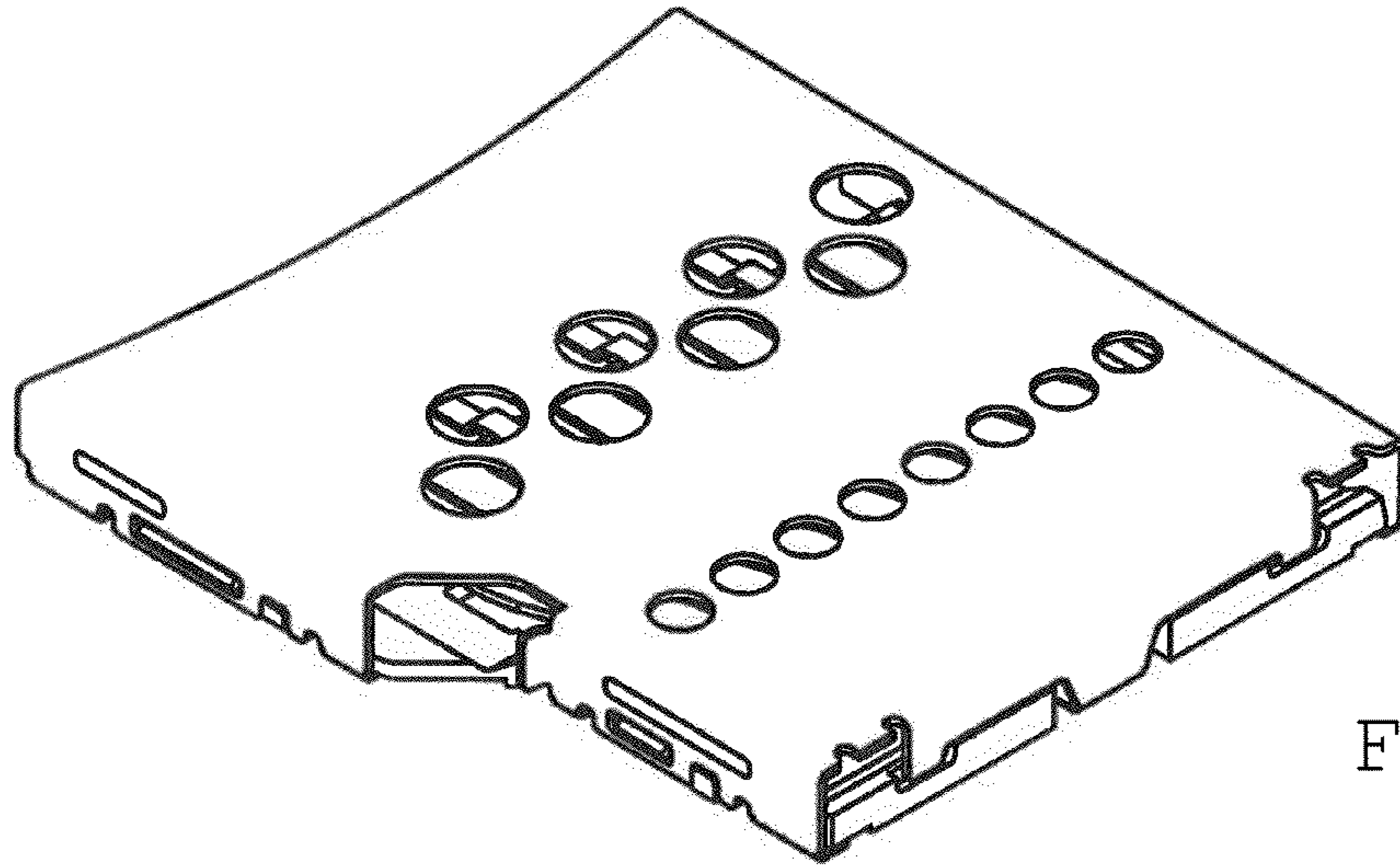


FIG. 1

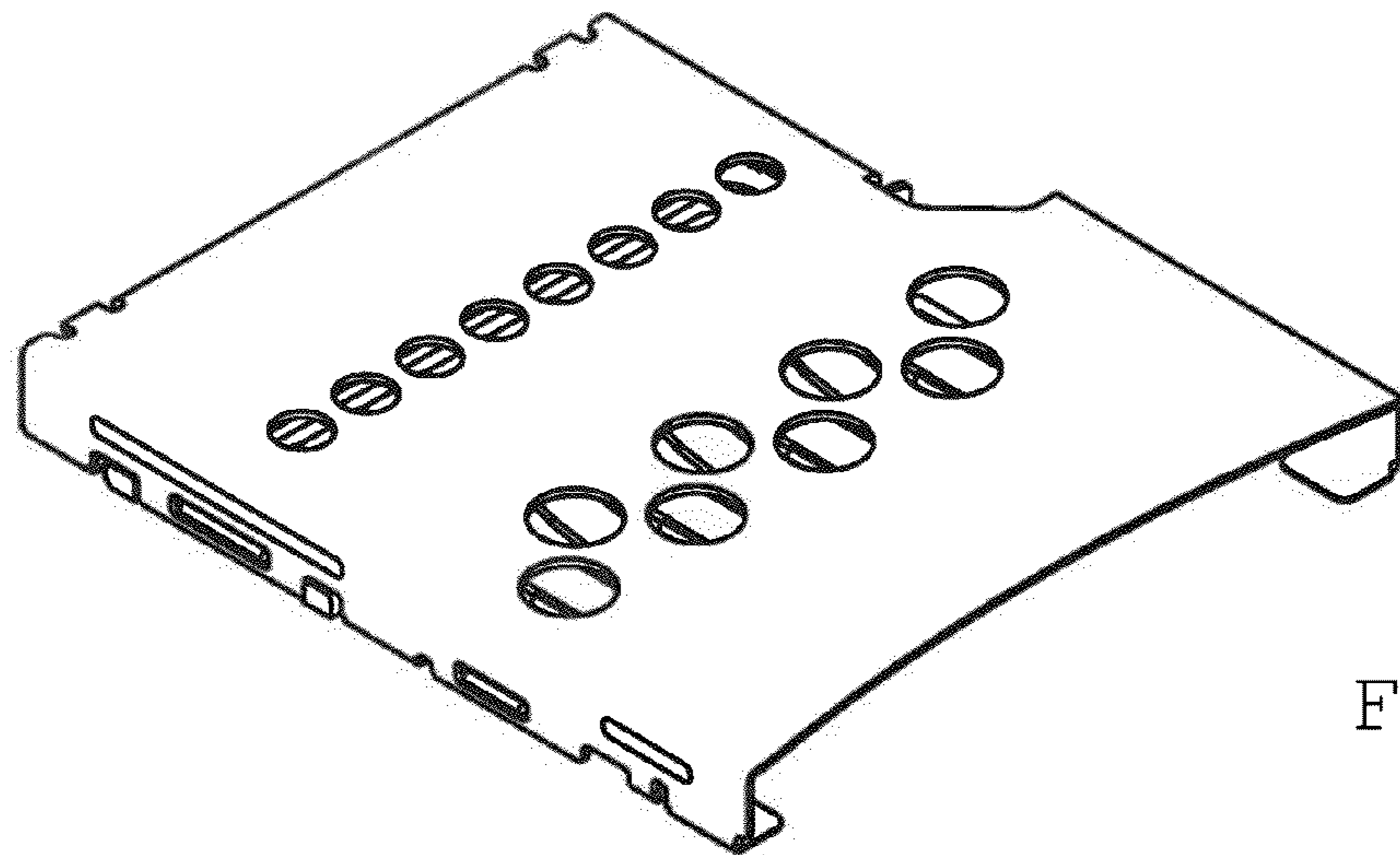


FIG. 2

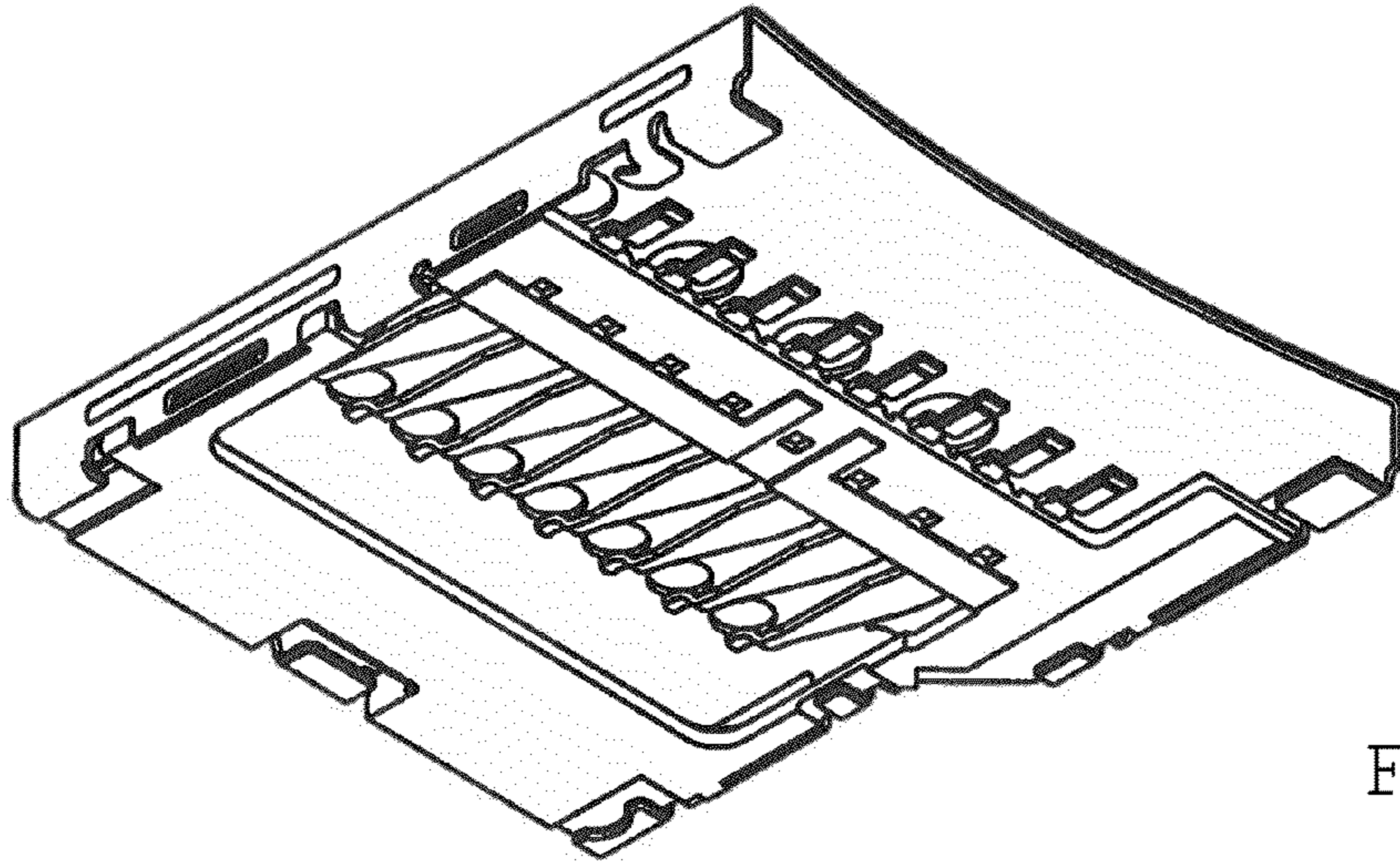


FIG. 3

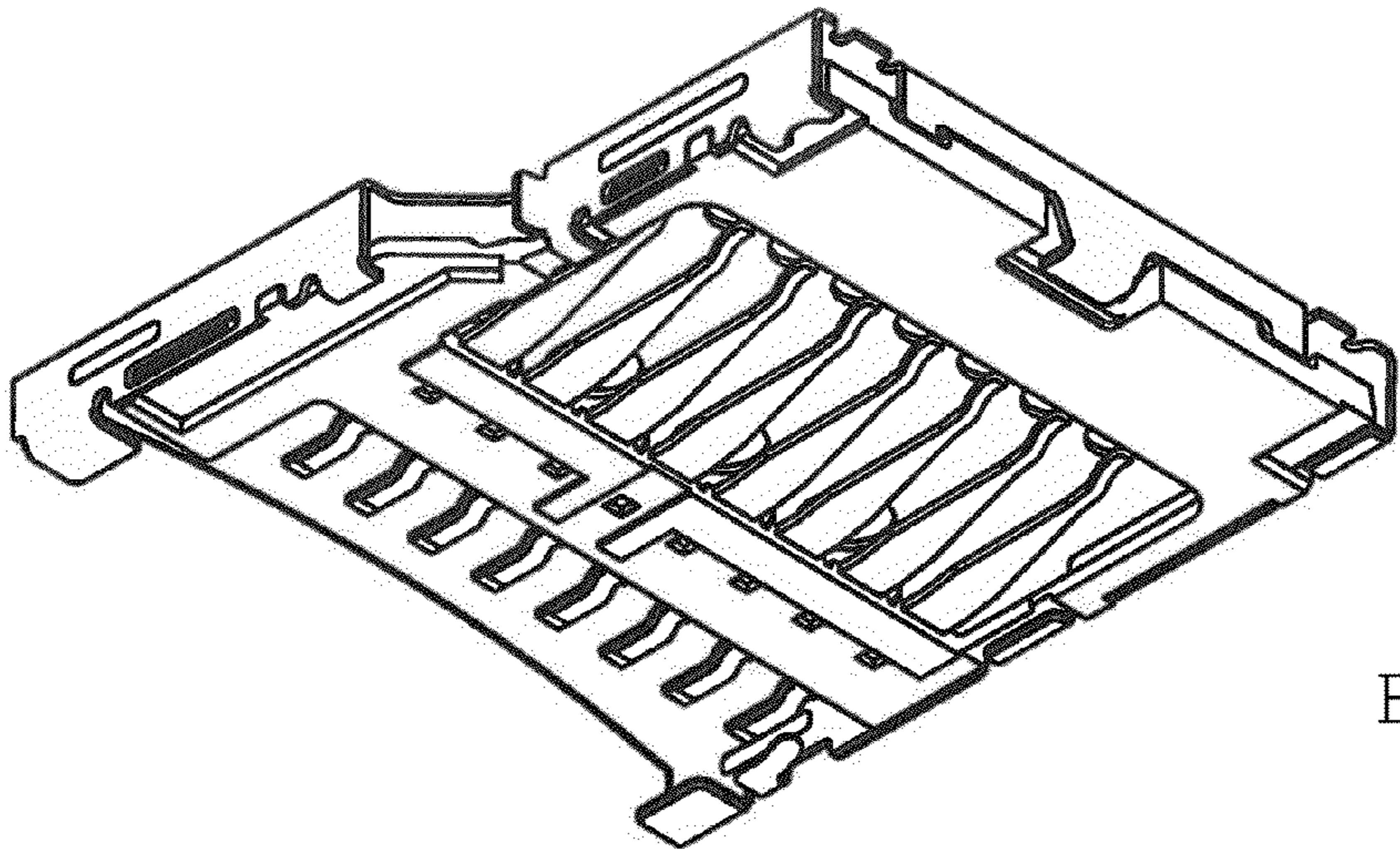


FIG. 4

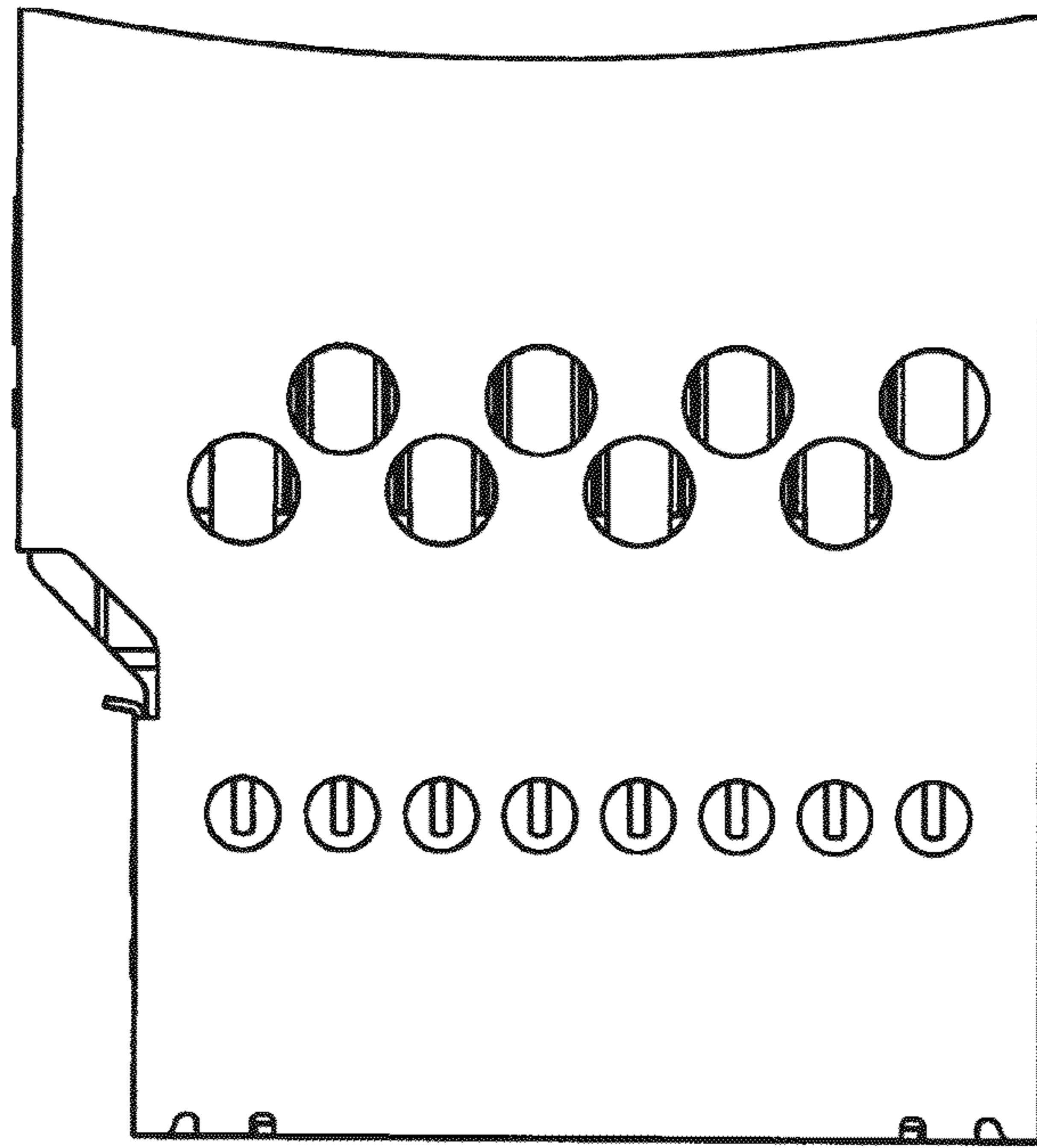


FIG. 5

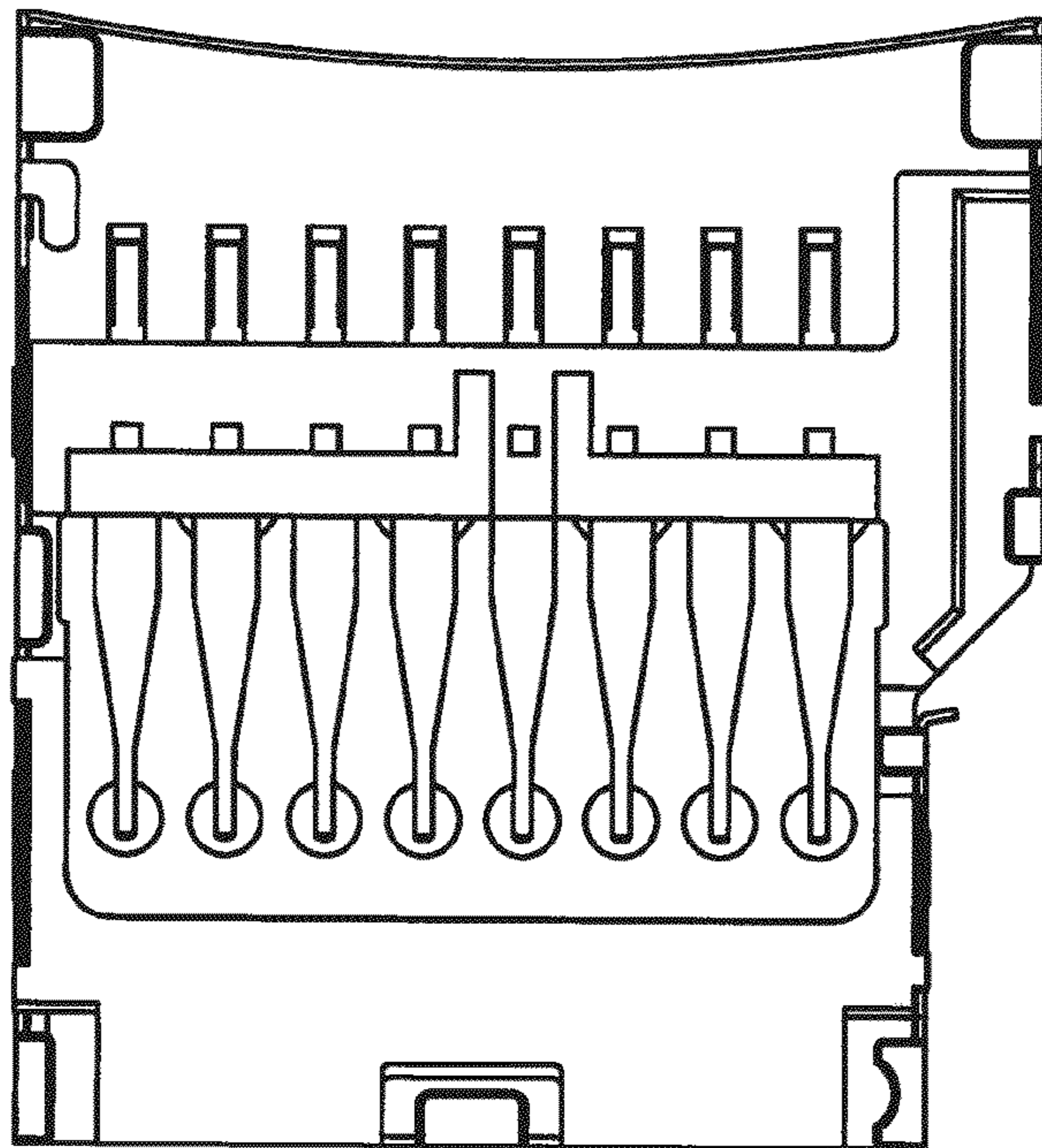


FIG. 6



FIG. 7

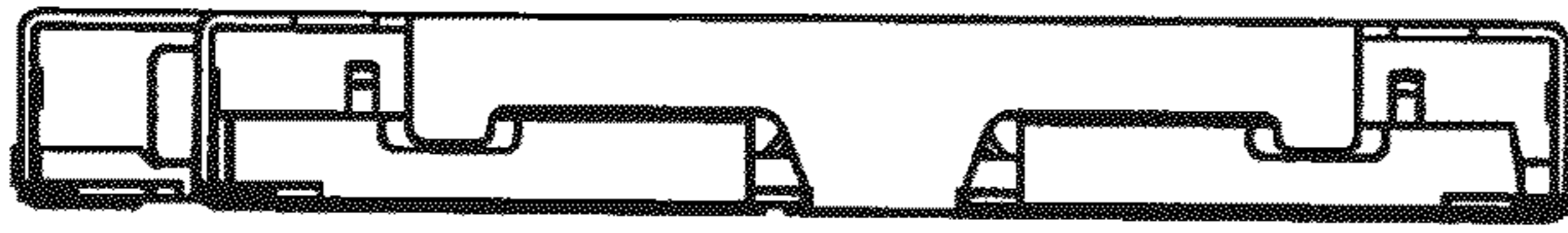


FIG. 8

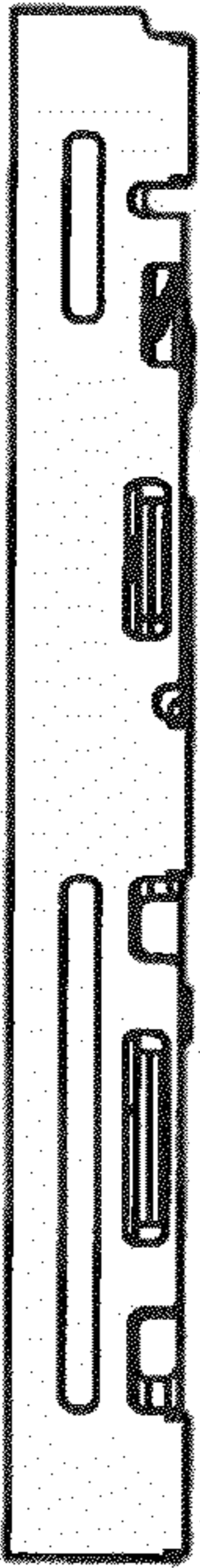


FIG. 9

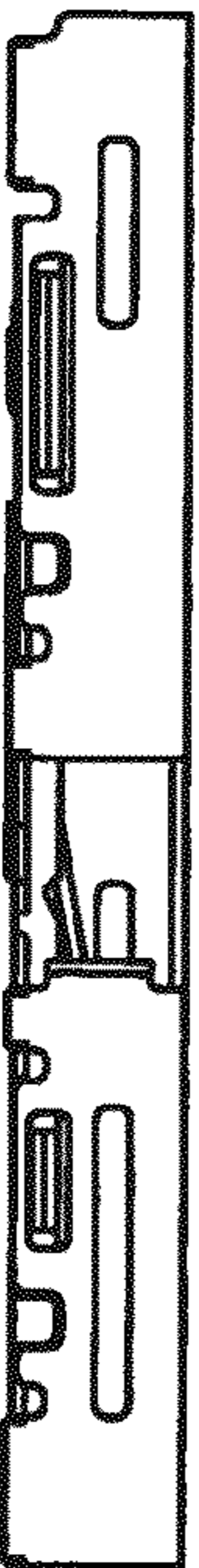


FIG. 10

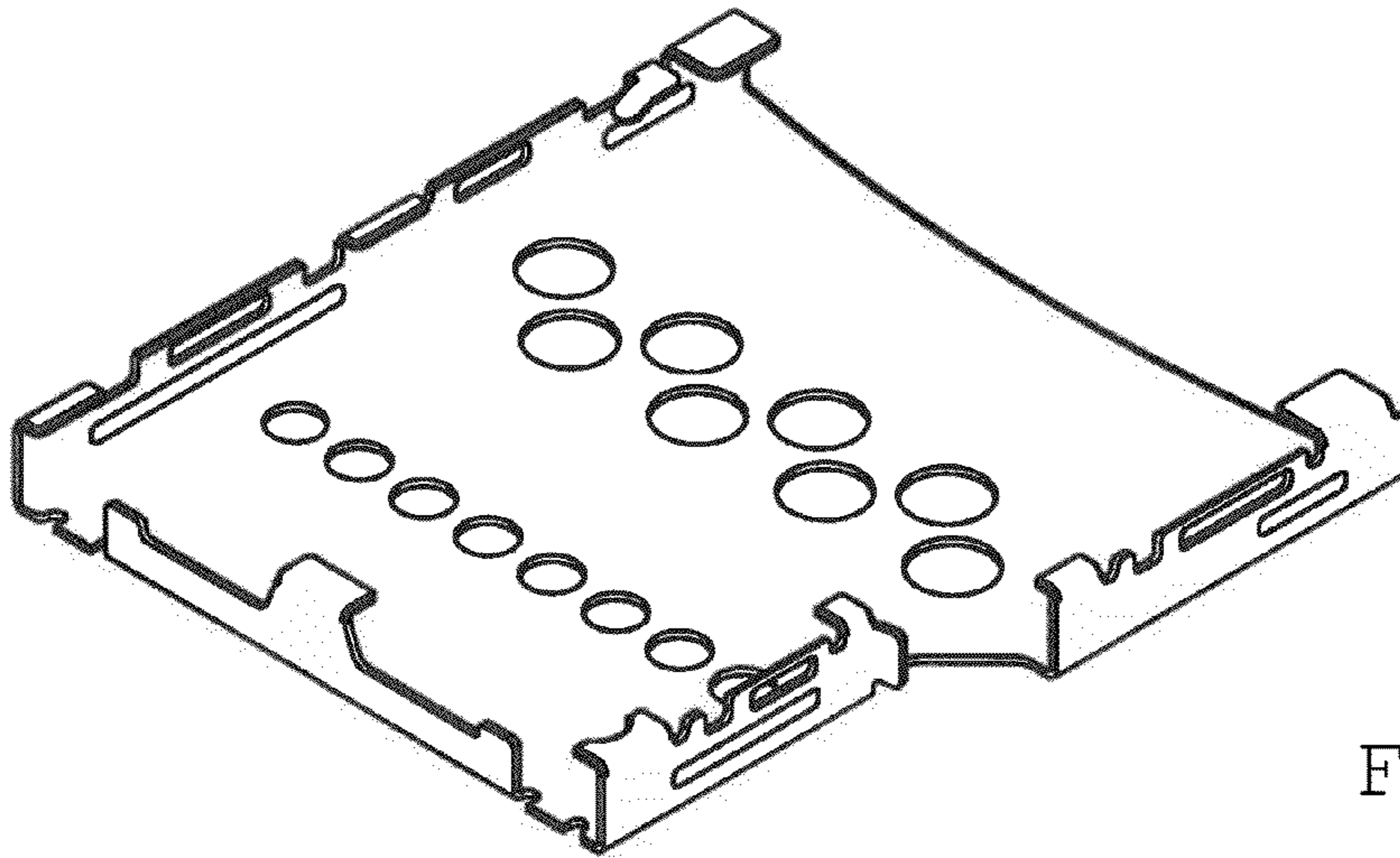


FIG. 11

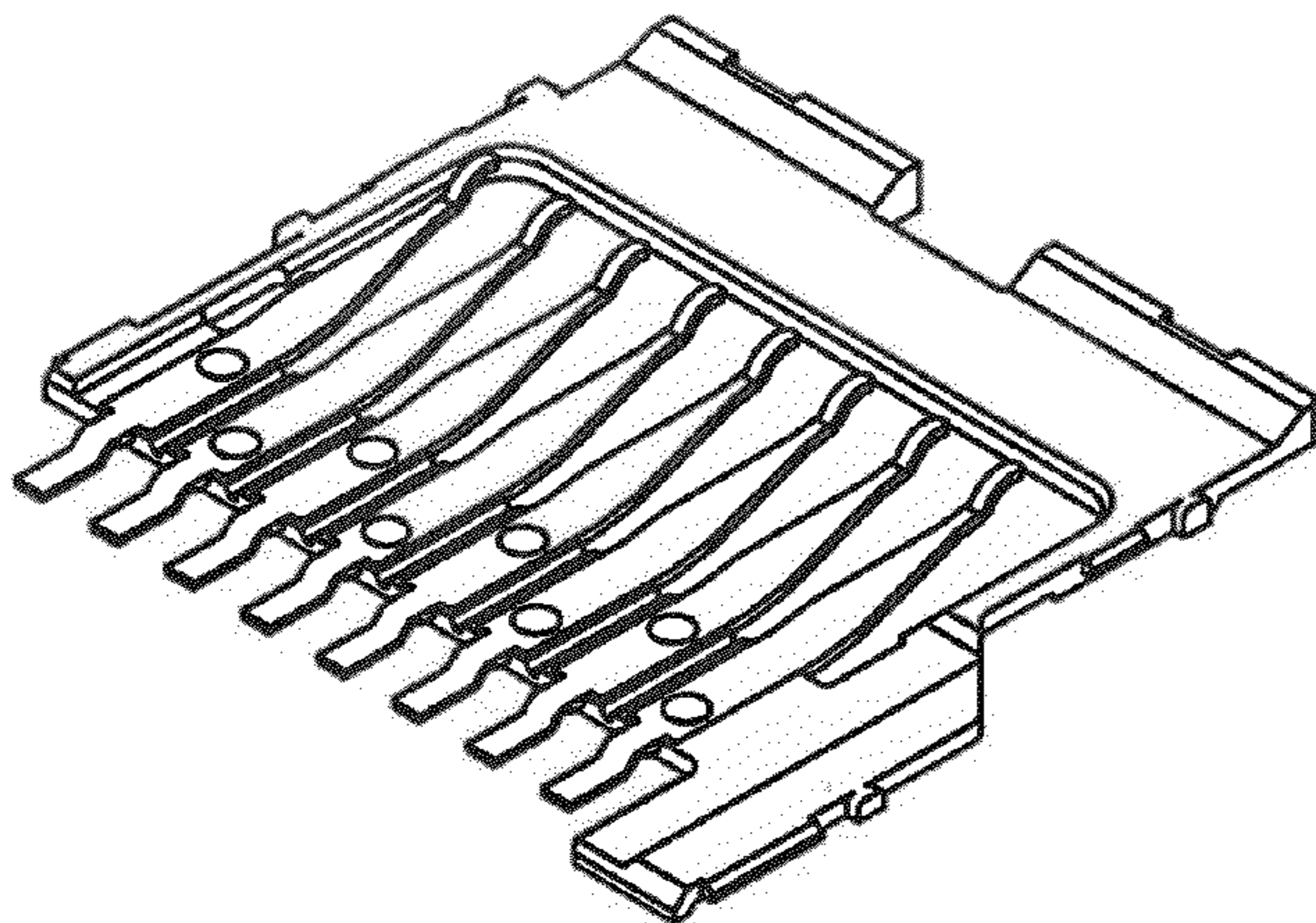


FIG. 12