



US00D698314S

(12) **United States Design Patent**
Byrne et al.

(10) **Patent No.:** **US D698,314 S**
(45) **Date of Patent:** **** Jan. 28, 2014**

(54) **MOUNT FOR ELECTRICAL RECEPTACLE**

(71) Applicants: **Daniel P. Byrne**, Lowell, MI (US);
Randell E. Pate, Jenison, MI (US)

(72) Inventors: **Daniel P. Byrne**, Lowell, MI (US);
Randell E. Pate, Jenison, MI (US)

(73) Assignee: **Norman R. Byrne**, Ada, MI (US)

(**) Term: **14 Years**

(21) Appl. No.: **29/456,760**

(22) Filed: **Jun. 4, 2013**

(51) **LOC (10) Cl.** **13-03**

(52) **U.S. Cl.**

USPC **D13/139.3**

(58) **Field of Classification Search**

USPC D13/139.5, 161, 137.2, 137.1, 133, 127,
D13/124, 139.8, 139.1, 154, 156, 184, 199,
D13/153, 155, 152, 177, 138.1; D14/205,
D14/228; D7/300.2; 361/683; D9/416, 423

See application file for complete search history.

(56) **References Cited**

U.S. PATENT DOCUMENTS

D318,270	S *	7/1991	Tsuji et al.	D13/161
D462,056	S *	8/2002	Chung	D13/137.1
D540,257	S *	4/2007	Ivanova et al.	D13/137.2
D567,765	S *	4/2008	Ohta	D13/161
7,736,178	B2	6/2010	Byrne		
D639,244	S	6/2011	Byrne		
8,172,604	B2	5/2012	Byrne		
D667,794	S *	9/2012	Junko et al.	D13/139.1
D682,213	S *	5/2013	Byrne et al.	D13/139.4
8,444,432	B2 *	5/2013	Byrne et al.	439/540.1
D685,329	S *	7/2013	Byrne et al.	D13/139.4

D686,579	S *	7/2013	Fujioka	D13/154
8,480,429	B2	7/2013	Byrne		
D687,778	S *	8/2013	Utz	D13/133

OTHER PUBLICATIONS

<http://www.directindustry.com/prod/siemens-low-voltage-products/panel-mounted-power-s...>*

* cited by examiner

Primary Examiner — Robert M Spear

Assistant Examiner — Rhea Shields

(74) *Attorney, Agent, or Firm* — Gardner, Linn, Burkhart & Flory LLP

(57) **CLAIM**

The ornamental design for a mount for electrical receptacle, as shown and described.

DESCRIPTION

FIG. 1 is a top perspective view of a mount for electrical receptacle showing our new design;

FIG. 2 is a bottom perspective view of the mount for electrical receptacle of FIG. 1;

FIG. 3 is a top plan view of the mount for electrical receptacle of FIG. 1;

FIG. 4 is a bottom plan view of the mount for electrical receptacle of FIG. 1;

FIG. 5 is a left side elevation of the mount for electrical receptacle of FIG. 1;

FIG. 6 is a right side elevation of the mount for electrical receptacle of FIG. 1;

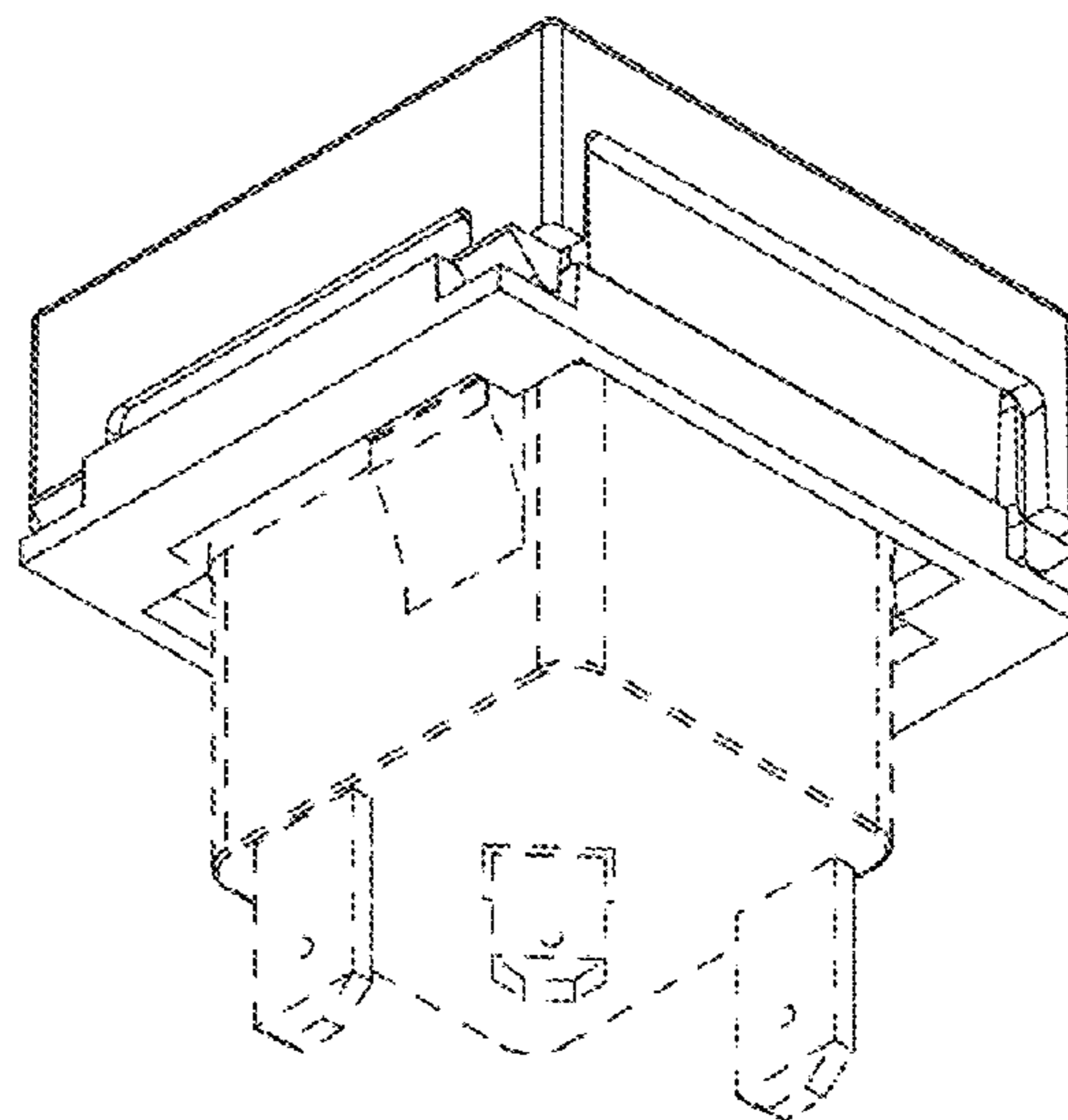
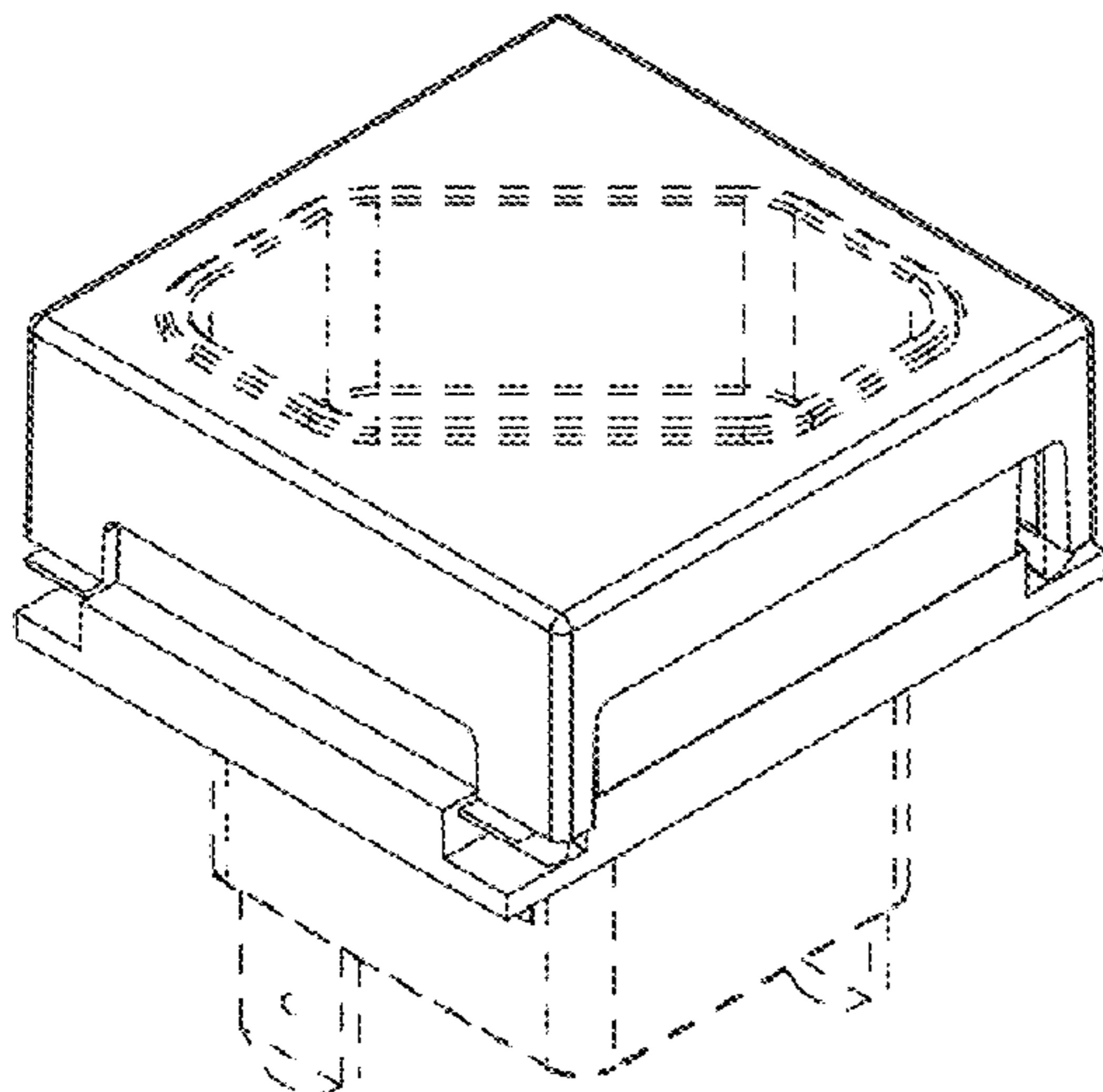
FIG. 7 is a front elevation of the mount for electrical receptacle of FIG. 1;

FIG. 8 is a rear elevation of the mount for electrical receptacle of FIG. 1; and,

FIG. 9 is a perspective view of the mount for electrical receptacle of FIG. 1, shown in an exemplary operating environment.

The broken lines are included for the purpose of illustrating portions of the mount for electrical receptacle, and environmental structure, that form no part of the claimed design.

1 Claim, 3 Drawing Sheets



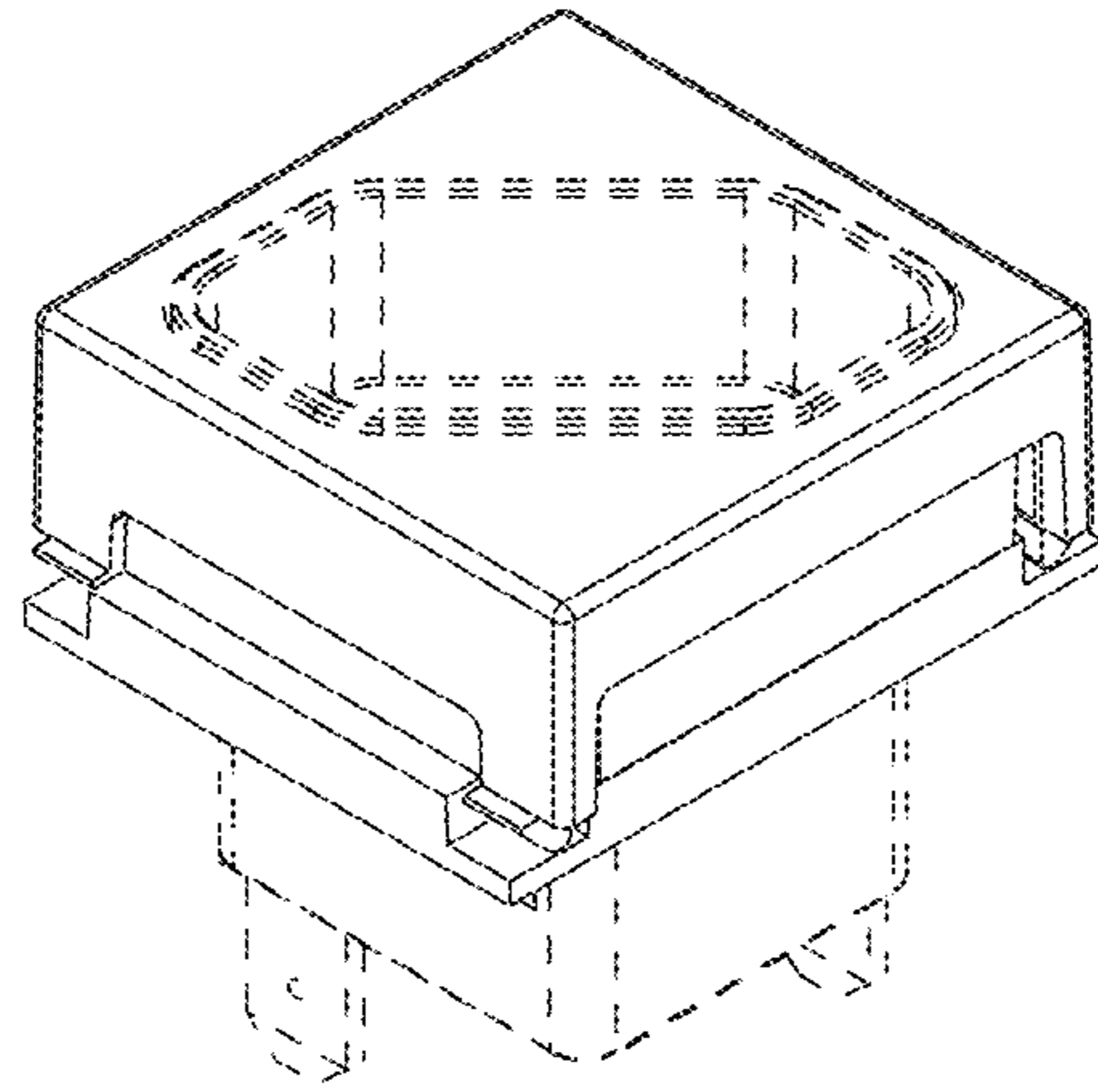


Fig. 1

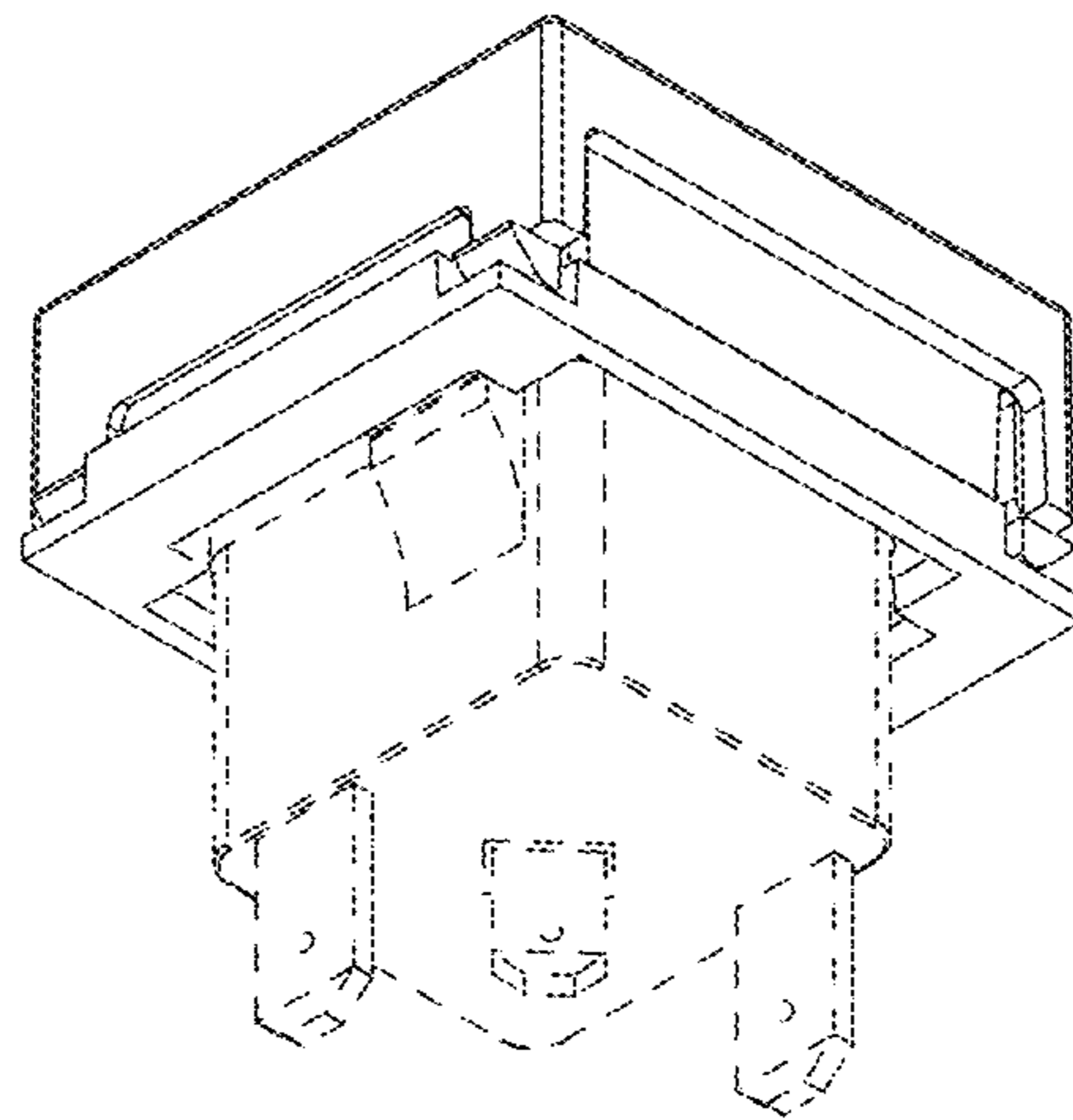


Fig. 2

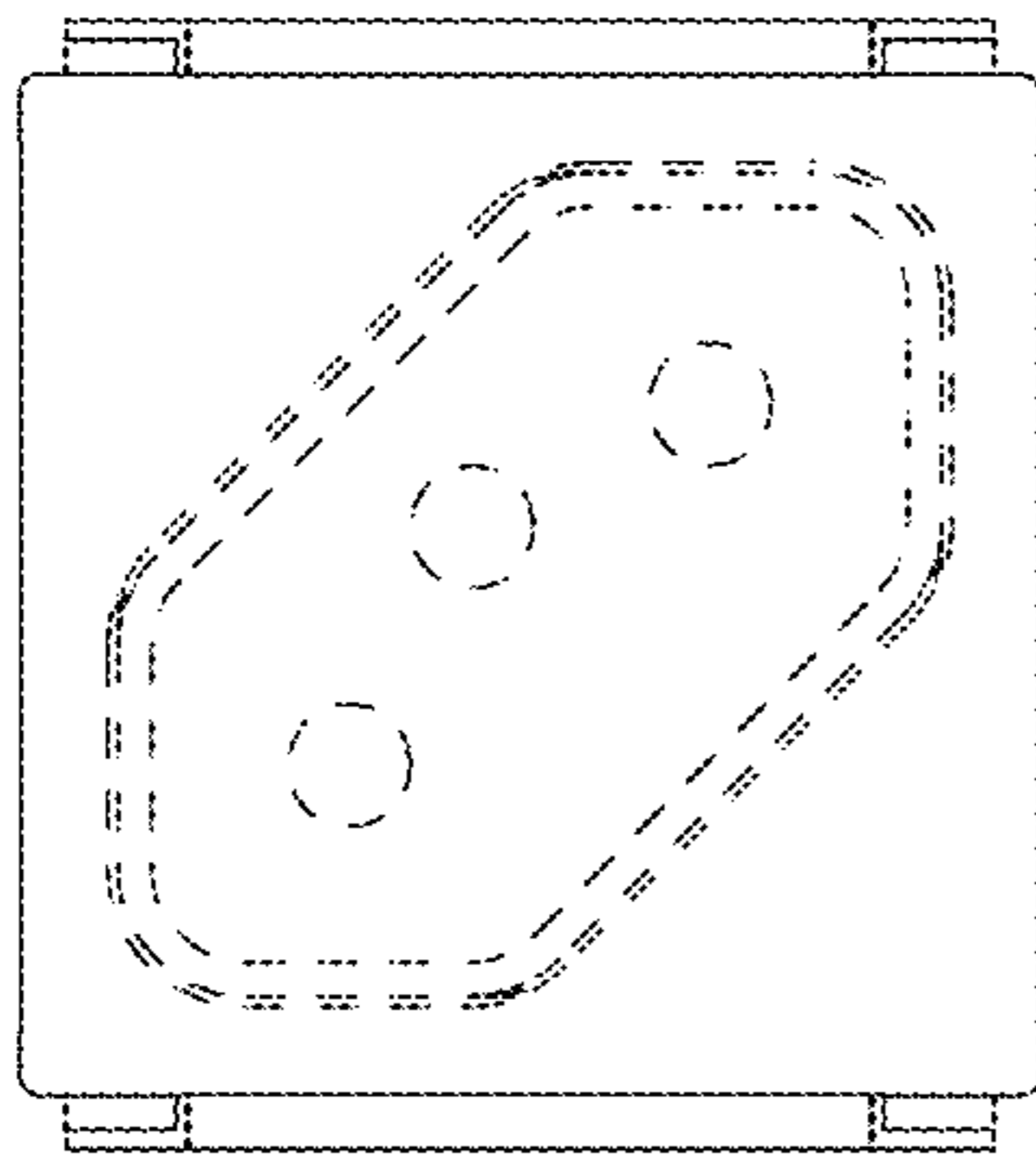


Fig. 3

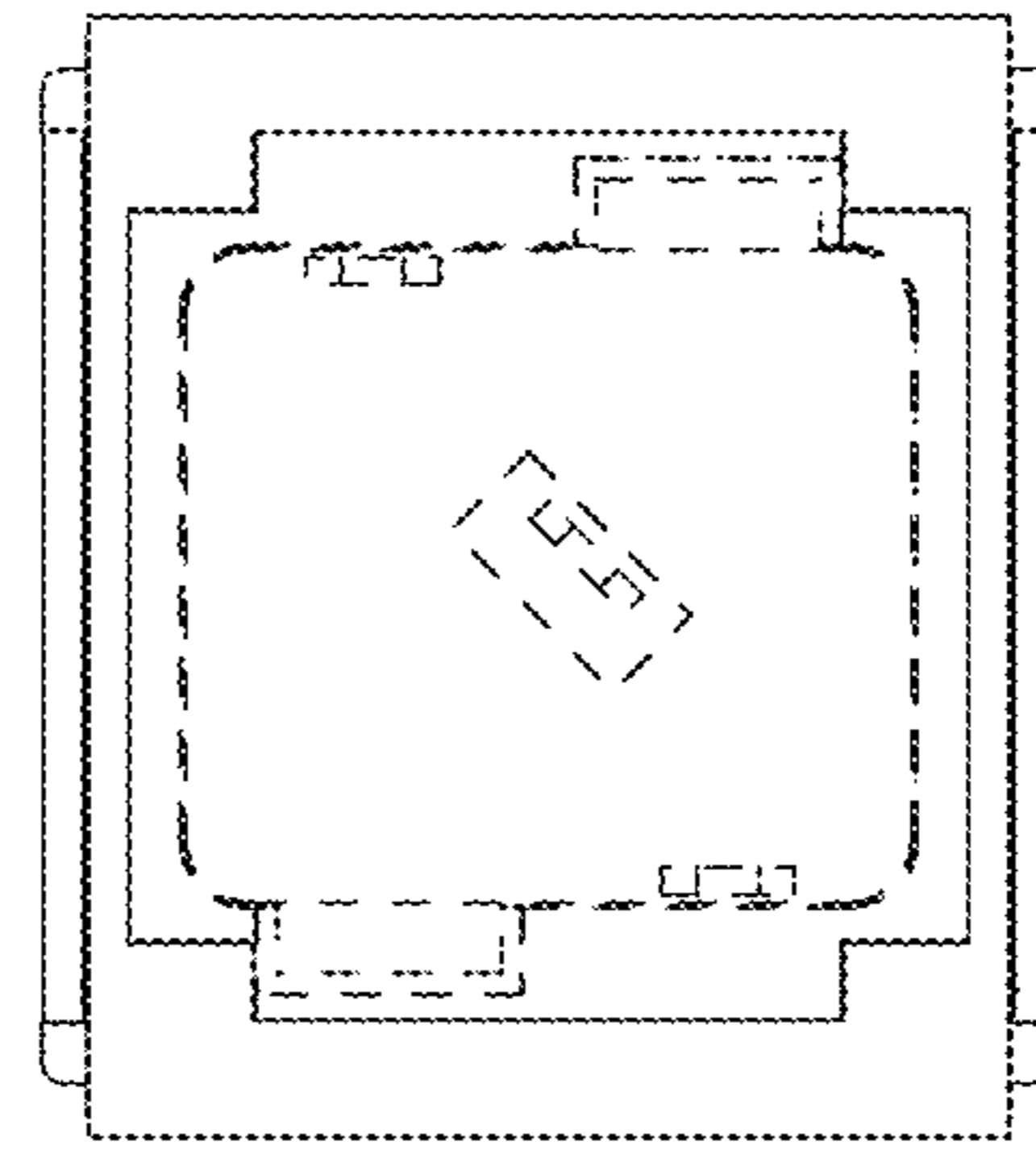


Fig. 4

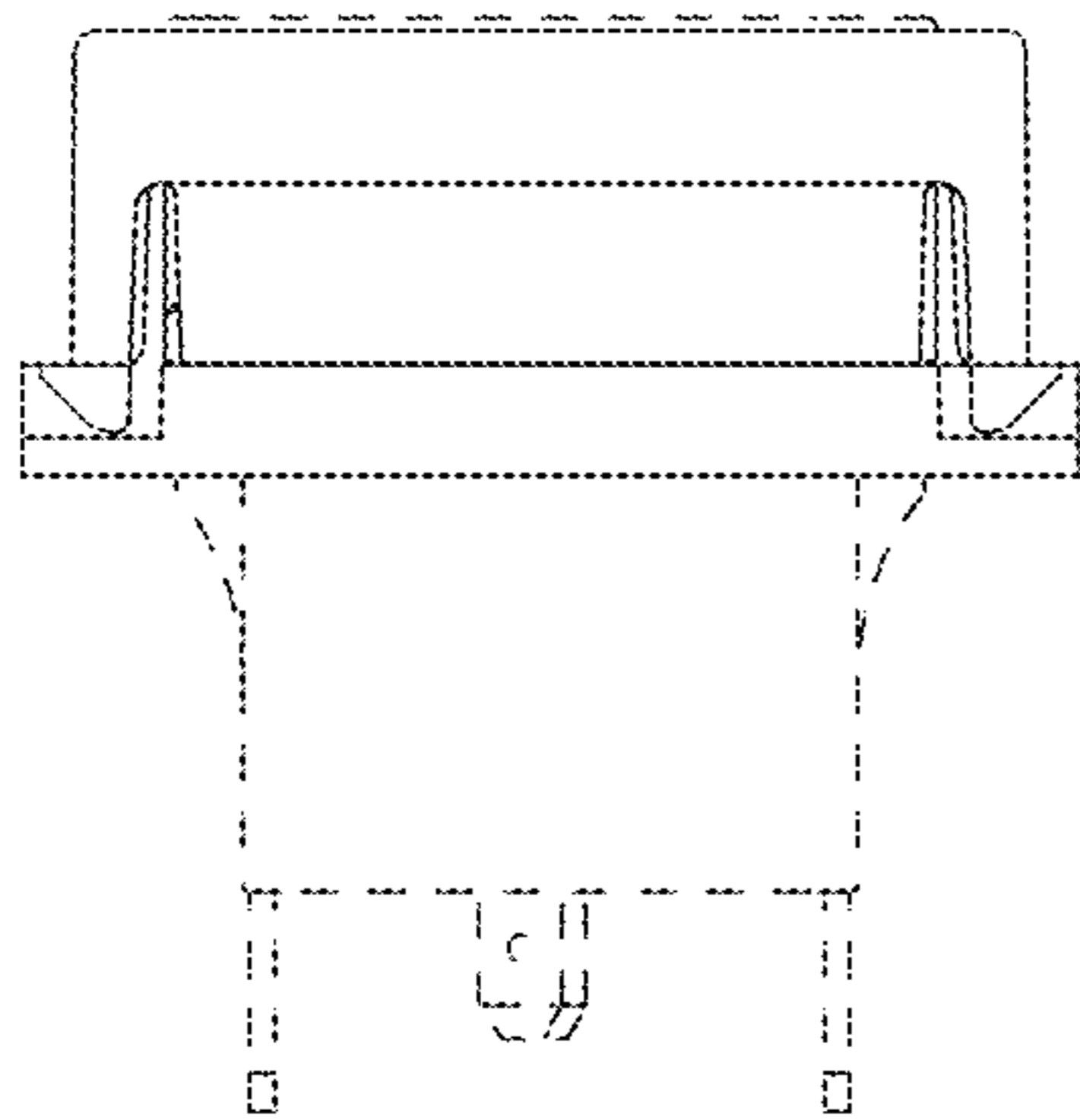


Fig. 5

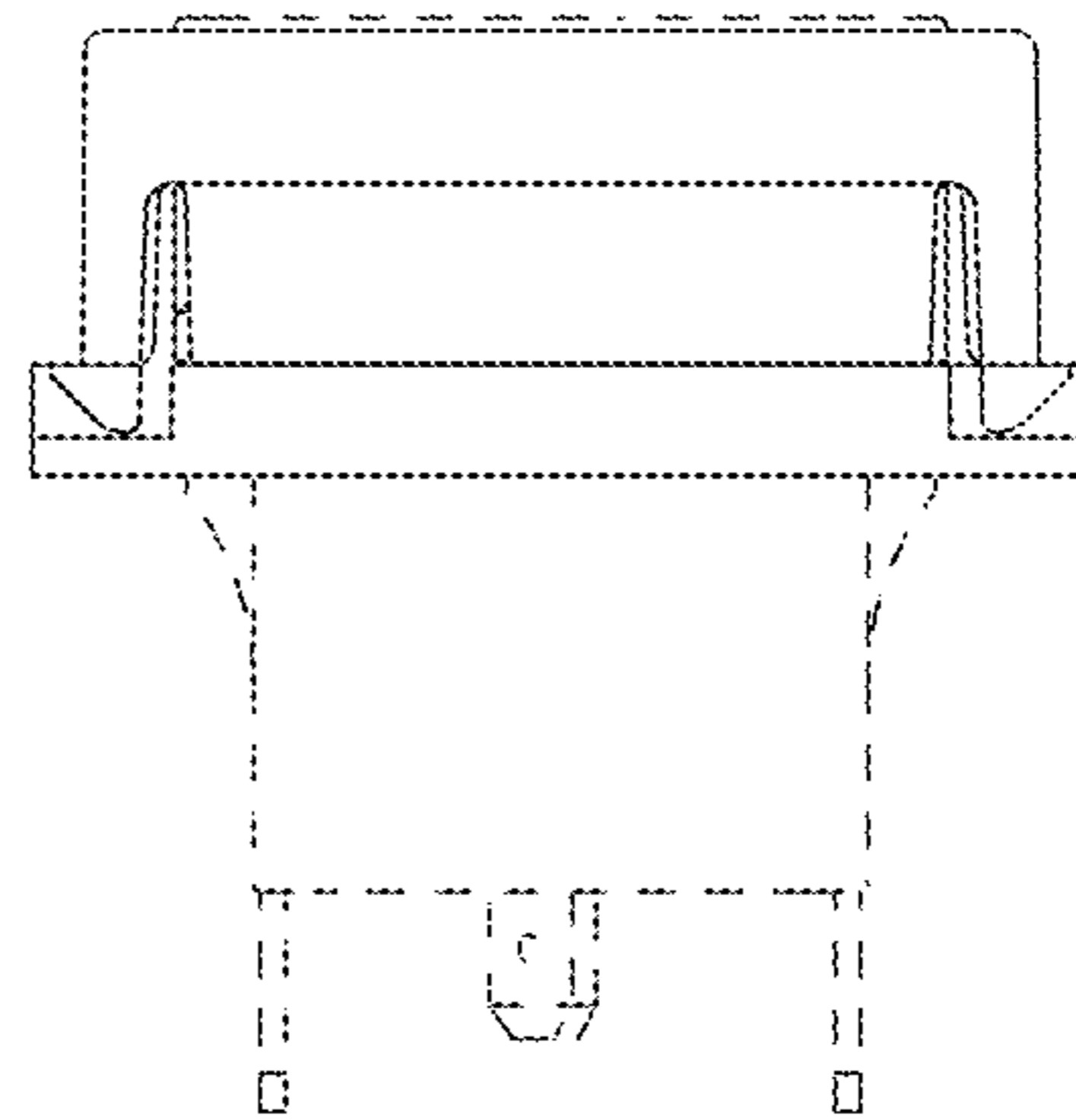


Fig. 6

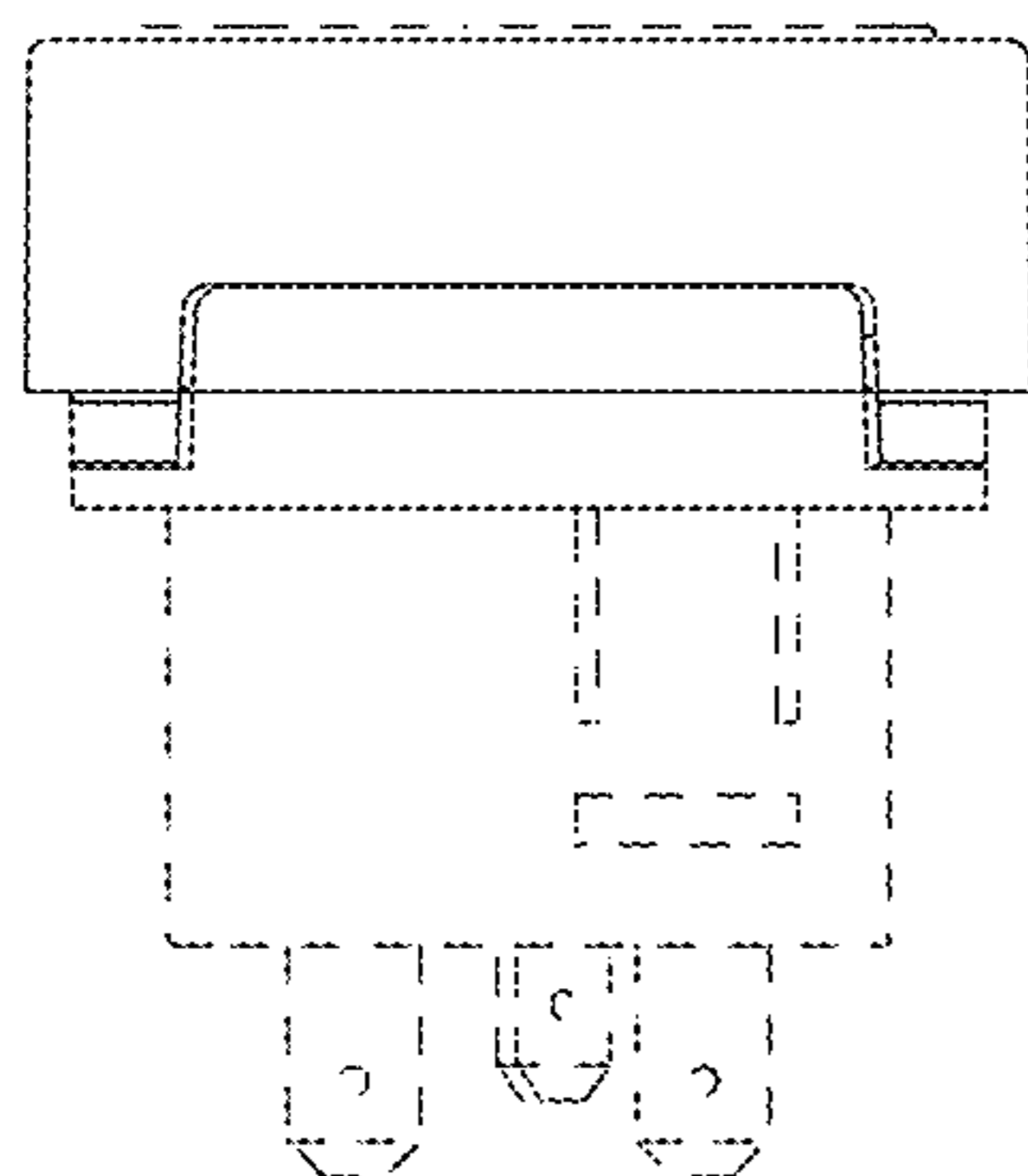


Fig. 7

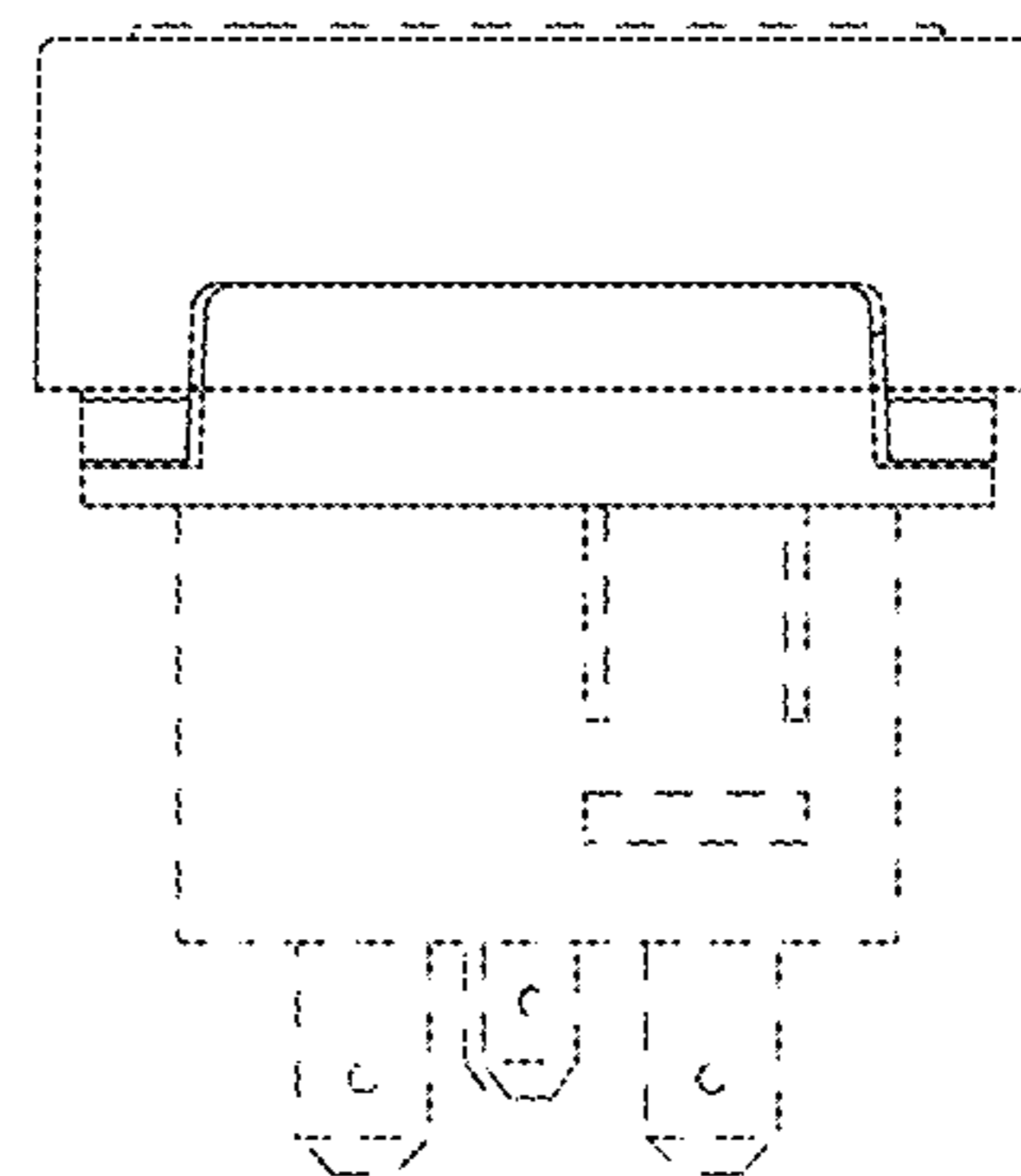


Fig. 8

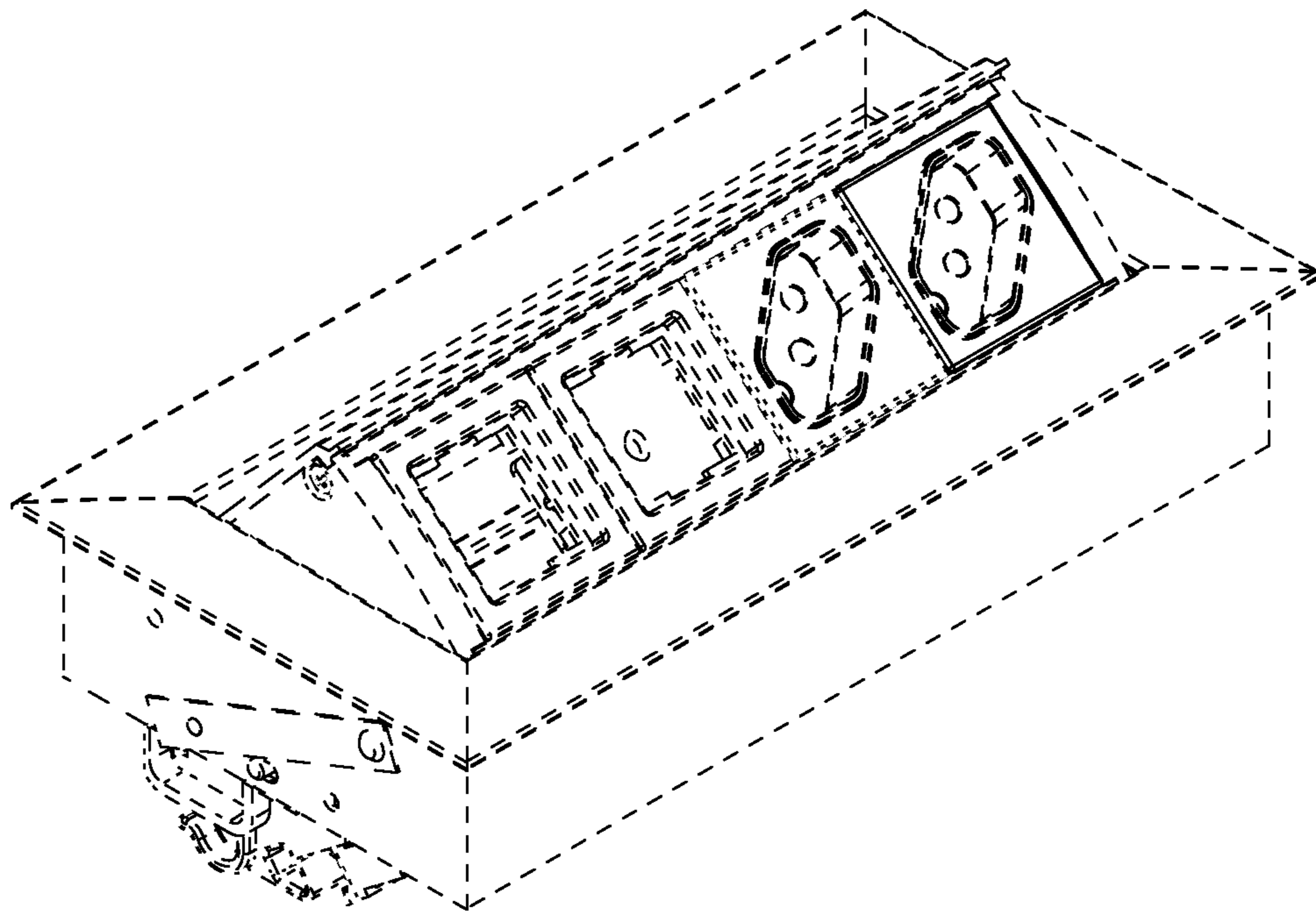


Fig. 9