

US00D698311S

(12) **United States Design Patent**
Salzman et al.

(10) **Patent No.:** **US D698,311 S**

(45) **Date of Patent:** **** Jan. 28, 2014**

(54) **HAND-CRANK CHARGING DEVICE**

(71) Applicants: **Paul K. Salzman**, Kirkland, WA (US);
Brian A. Legge, Seattle, WA (US)

(72) Inventors: **Paul K. Salzman**, Kirkland, WA (US);
Brian A. Legge, Seattle, WA (US)

(**) Term: **14 Years**

(21) Appl. No.: **29/456,395**

(22) Filed: **May 30, 2013**

(51) **LOC (10) Cl.** **13-02**

(52) **U.S. Cl.**
USPC **D13/108**

(58) **Field of Classification Search**
USPC D13/107-110, 118-119, 184, 199;
D14/217, 251, 253, 432, 434;
320/107-115; D26/37-38
See application file for complete search history.

(56) **References Cited**

U.S. PATENT DOCUMENTS

D242,675 S	*	12/1976	McNair	D28/38
D383,115 S	*	9/1997	Nagele et al.	D13/110
D432,082 S	*	10/2000	Chang	D13/123
D532,915 S	*	11/2006	Yuen	D26/38
D536,813 S	*	2/2007	Yuen	D26/38

D543,650 S	*	5/2007	Rothman	D26/37
D544,616 S	*	6/2007	Chen	D26/37
D585,367 S	*	1/2009	Dunbar et al.	D13/108
D631,838 S	*	2/2011	Cheng	D13/108
D637,952 S	*	5/2011	Tan	D13/108

* cited by examiner

Primary Examiner — Rosemary K Tarcza

(74) *Attorney, Agent, or Firm* — Seed IP Law Group PLLC

(57) **CLAIM**

The ornamental design for a hand-crank charging device, as shown and described.

DESCRIPTION

FIG. 1 is an isometric view of a top, front, and left side of a hand-crank charging device showing our new design.

FIG. 2 is an isometric view of a bottom, front, and left side thereof.

FIG. 3 is a top plan view thereof.

FIG. 4 is a bottom plan view thereof.

FIG. 5 is a right side elevational view thereof.

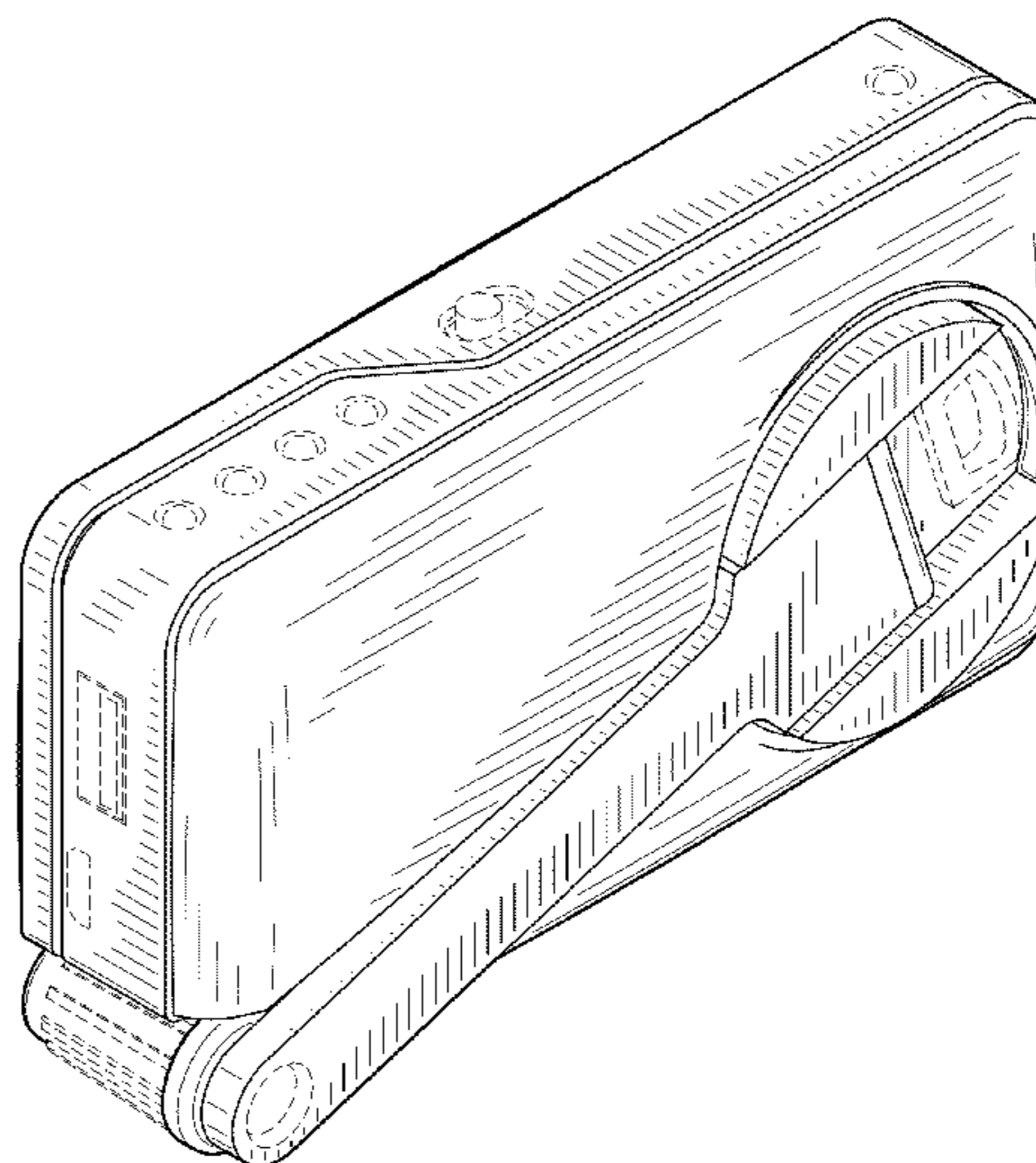
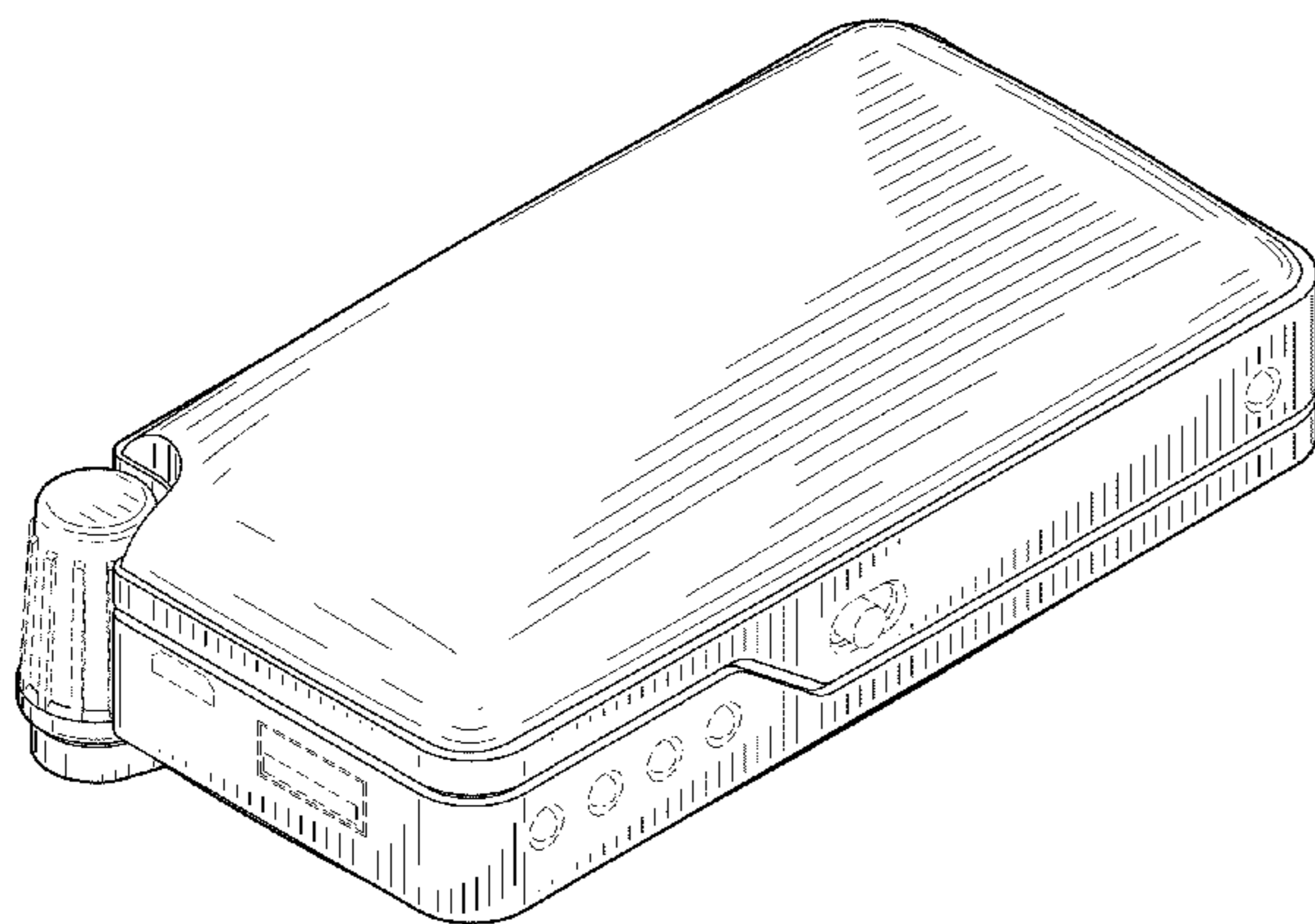
FIG. 6 is a left side elevational view thereof.

FIG. 7 is a front elevational view thereof; and,

FIG. 8 is a rear elevational view thereof.

The broken lines in the figures are for illustrative purposes only and form no part of the claimed design.

1 Claim, 6 Drawing Sheets



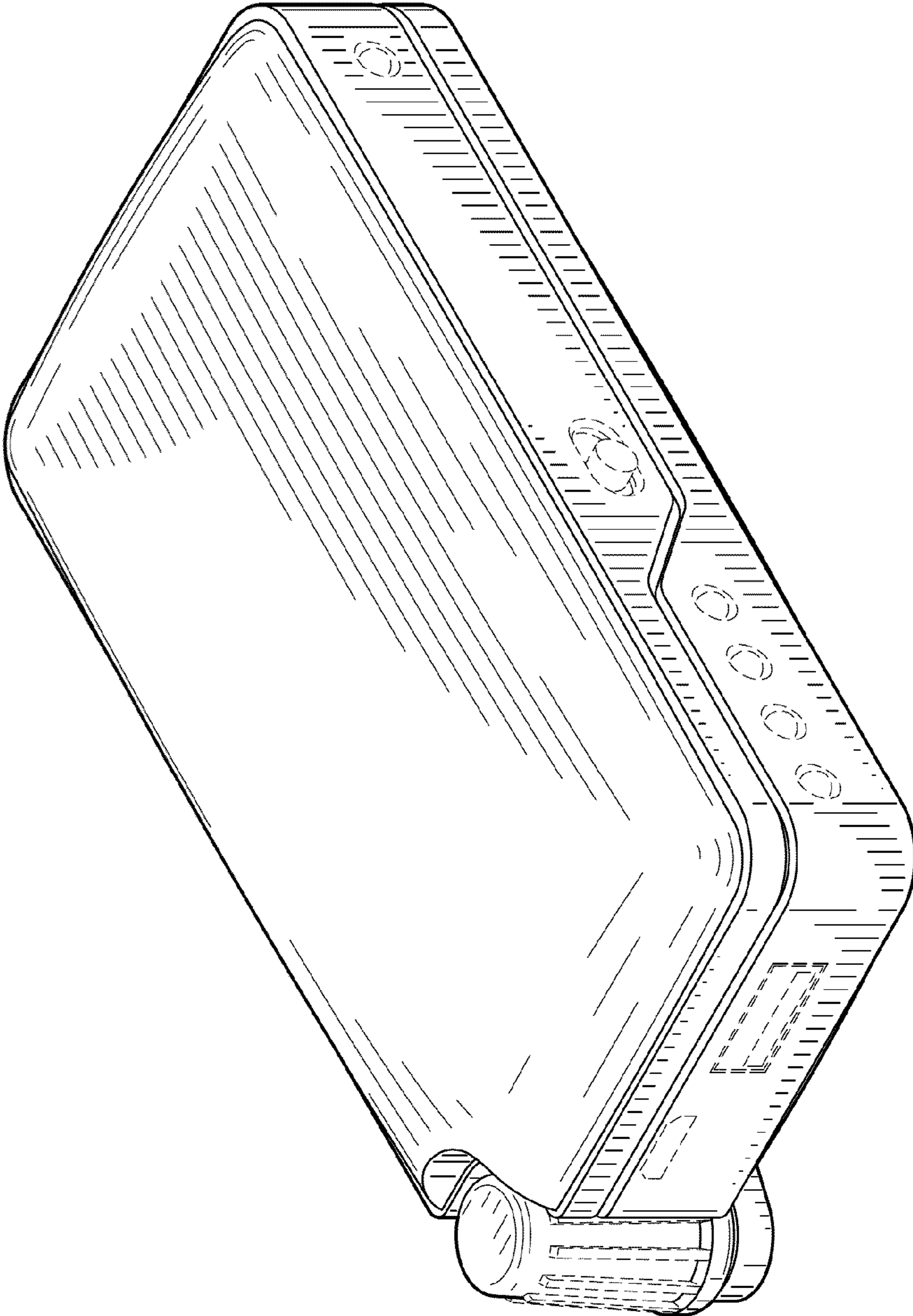


FIG.1

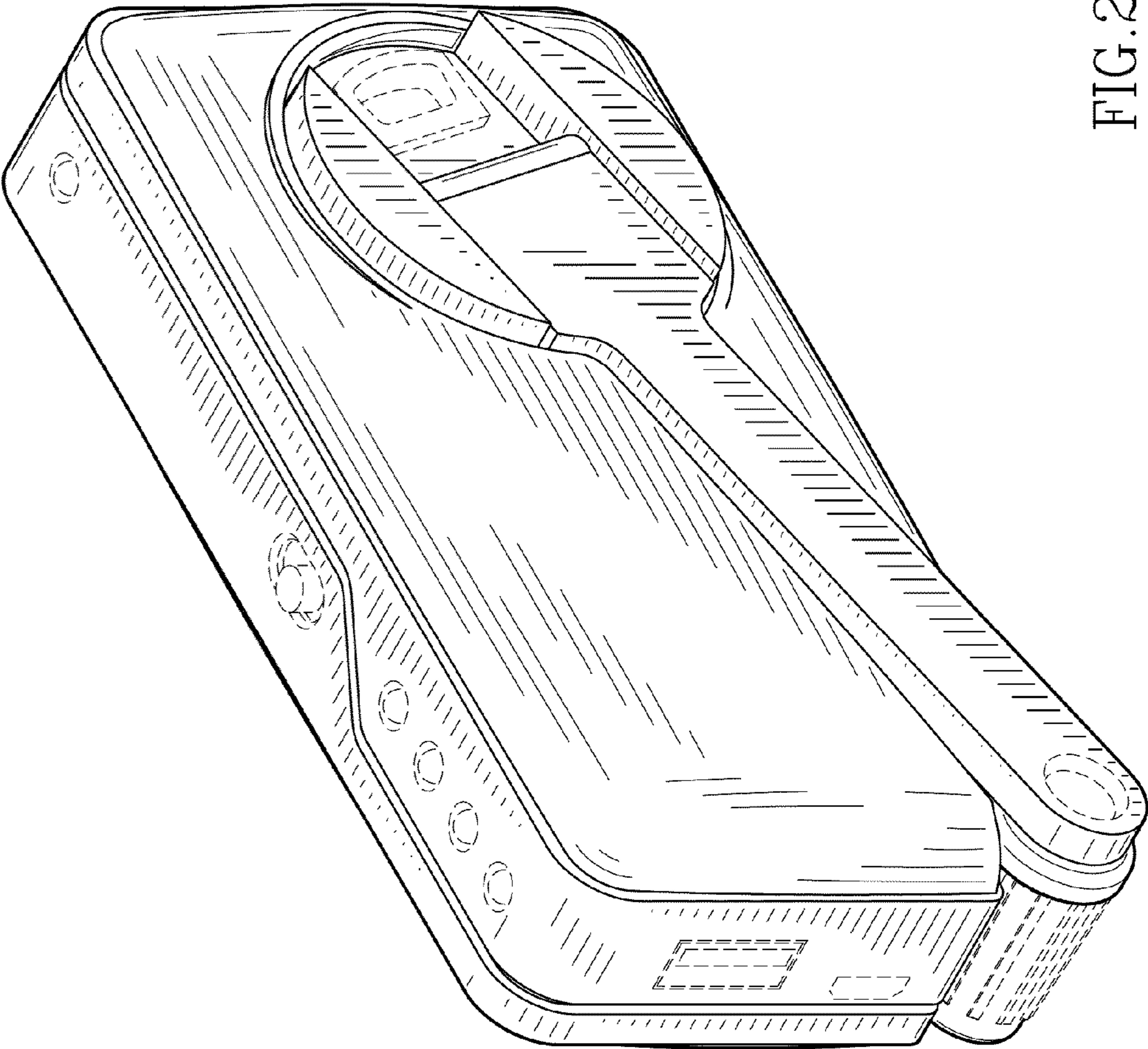


FIG.2

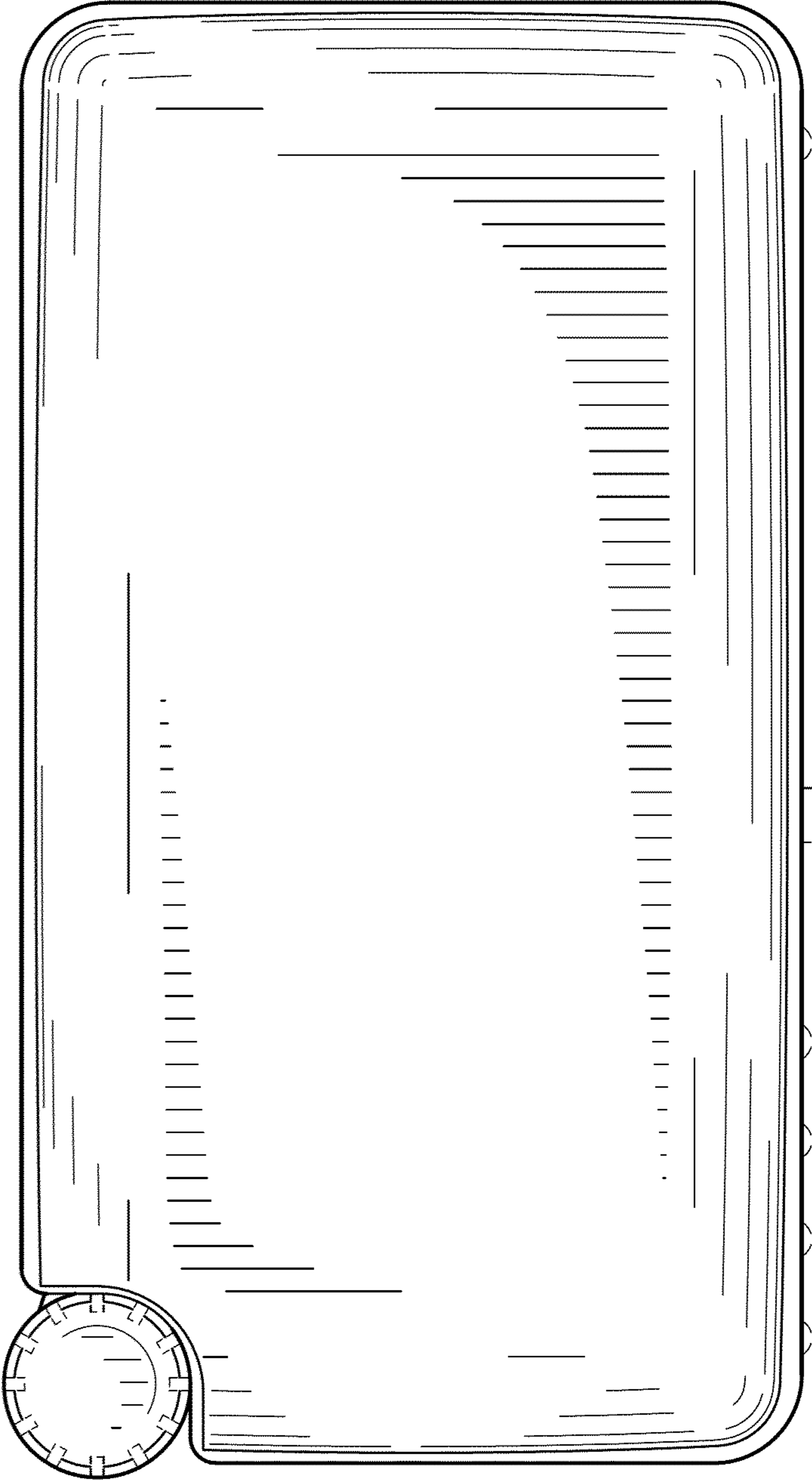


FIG. 3

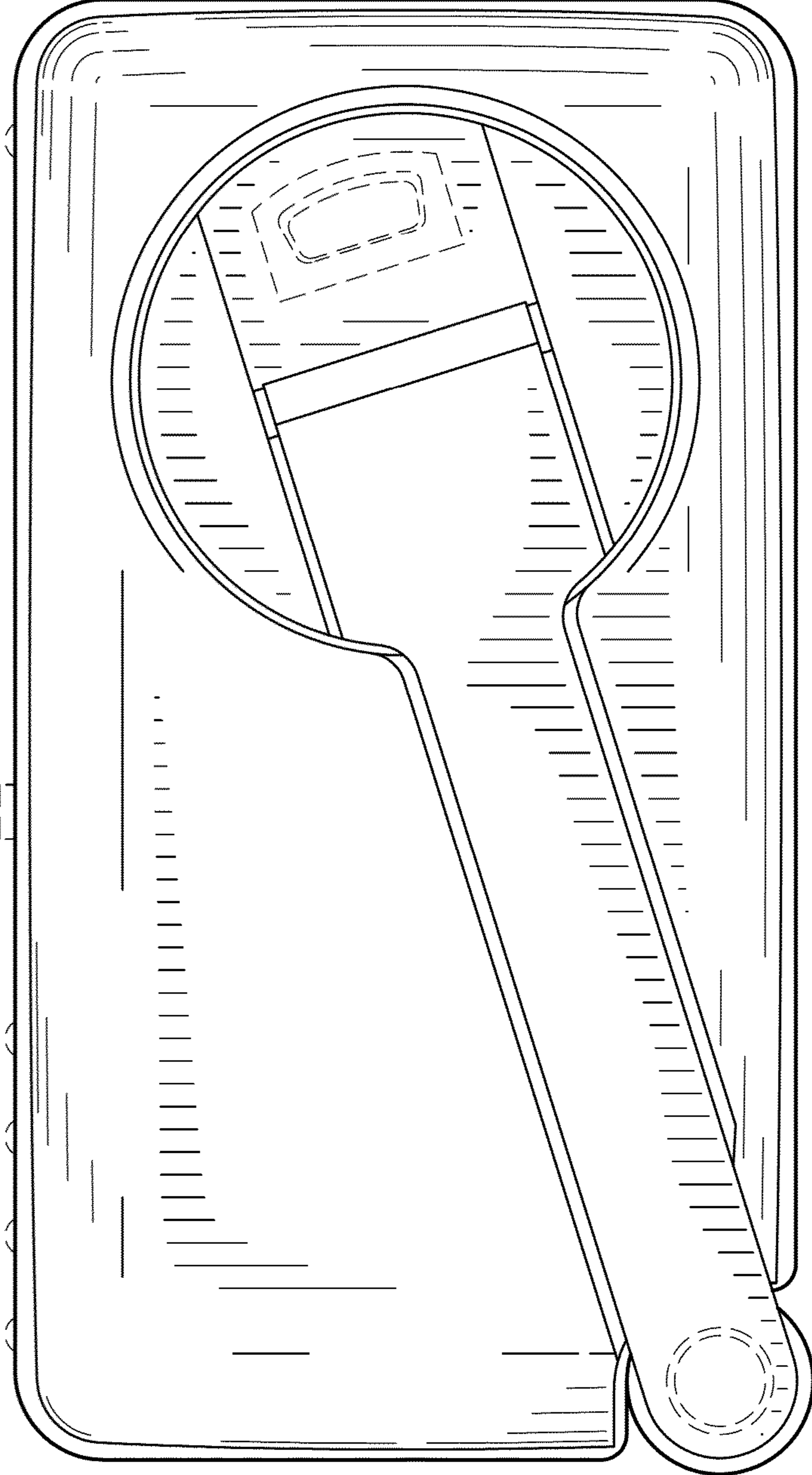


FIG. 4



FIG. 5

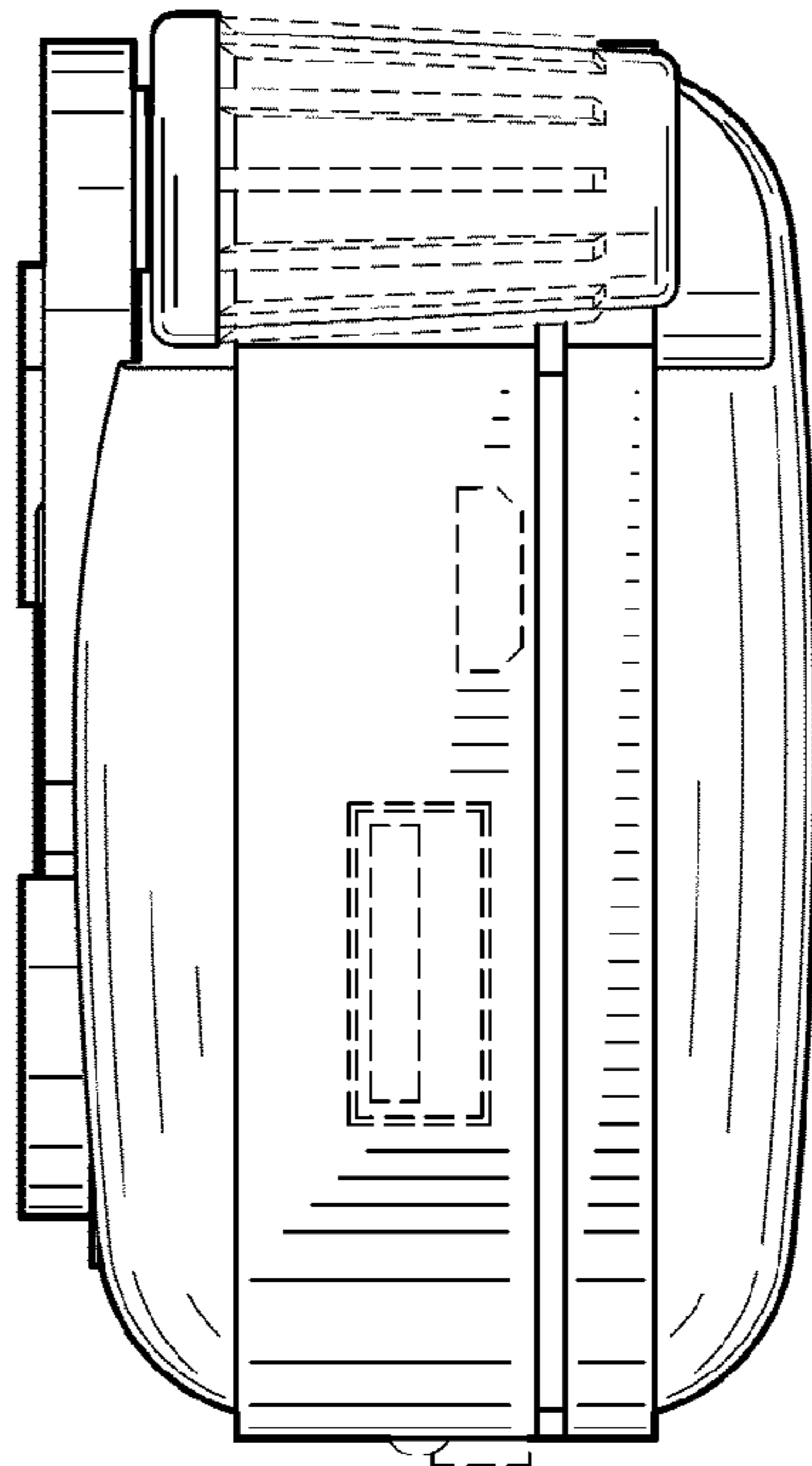


FIG. 6

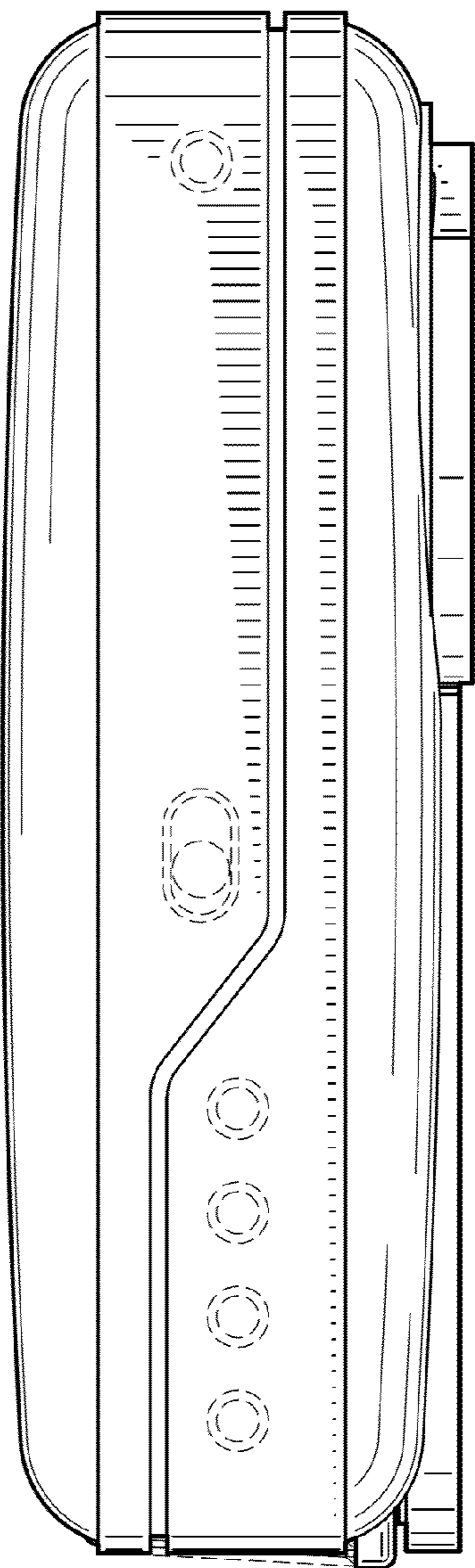


FIG. 7

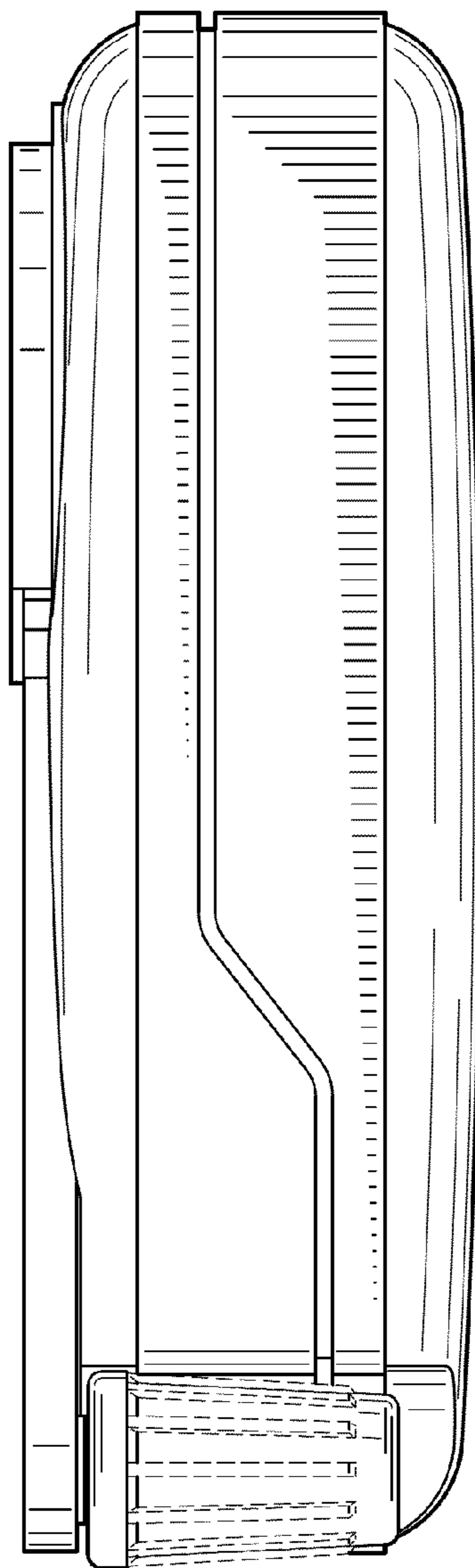


FIG. 8