



US00D698310S

(12) **United States Design Patent**  
**Yun et al.**

(10) **Patent No.:** **US D698,310 S**  
(45) **Date of Patent:** **\*\* Jan. 28, 2014**

(54) **CHARGER FOR VACUUM CLEANER**

(71) Applicant: **Samsung Electronics Co., Ltd.,**  
Suwon-Si (KR)

(72) Inventors: **Deoksang Yun, Ansan-si (KR); Seill**  
**Jeon, Gimposi (KR)**

(73) Assignee: **Samsung Electronics Co., Ltd.,**  
Gyeonggi-do (KR)

(\*\*) Term: **14 Years**

(21) Appl. No.: **29/454,254**

(22) Filed: **May 8, 2013**

(30) **Foreign Application Priority Data**

Nov. 21, 2012 (KR) ..... 30-2012-0055653

(51) **LOC (10) Cl.** ..... **13-02**

(52) **U.S. Cl.**  
USPC ..... **D13/108**

(58) **Field of Classification Search**  
USPC ..... D13/107-110, 118-119, 184, 199;  
D14/217, 251, 253, 432, 434;  
320/107-115

See application file for complete search history.

(56) **References Cited**

**U.S. PATENT DOCUMENTS**

D474,735 S \* 5/2003 Lee ..... D13/108  
D510,066 S \* 9/2005 Hickey et al. .... D13/108

7,332,890 B2 \* 2/2008 Cohen et al. .... 320/109  
D588,059 S \* 3/2009 Fujita et al. .... D13/108  
D639,237 S \* 6/2011 Lee et al. .... D13/108  
D639,735 S \* 6/2011 Lee et al. .... D13/108  
D675,154 S \* 1/2013 Nam et al. .... D13/108  
2005/0017681 A1 \* 1/2005 Ogishima et al. .... 320/112  
2007/0267998 A1 \* 11/2007 Cohen et al. .... 320/109  
2011/0089891 A1 \* 4/2011 Pai ..... 320/107  
2012/0049798 A1 \* 3/2012 Cohen et al. .... 320/109  
2012/0086389 A1 \* 4/2012 Li ..... 320/107  
2012/0242279 A1 \* 9/2012 Tso et al. .... 320/107

\* cited by examiner

*Primary Examiner* — Rosemary K Tarcza

(74) *Attorney, Agent, or Firm* — Harness, Dickey & Pierce,  
P.L.C.

(57) **CLAIM**

The ornamental design for a charger for vacuum cleaner, as shown and described.

**DESCRIPTION**

FIG. 1 is the front/right-side/top perspective view of a charger for vacuum cleaner showing our new design; FIG. 2 is the front elevational view thereof; FIG. 3 is the rear elevational view thereof; FIG. 4 is the left-side elevational view thereof; FIG. 5 is the right-side elevational view thereof; FIG. 6 is the top-side plan view thereof; and, FIG. 7 is the bottom-side plan view thereof.

The broken lines showing unclaimed portions of the charger for vacuum cleaner in the drawings are included for the purpose of illustrating environmental structure and form no part of the claimed design.

**1 Claim, 6 Drawing Sheets**

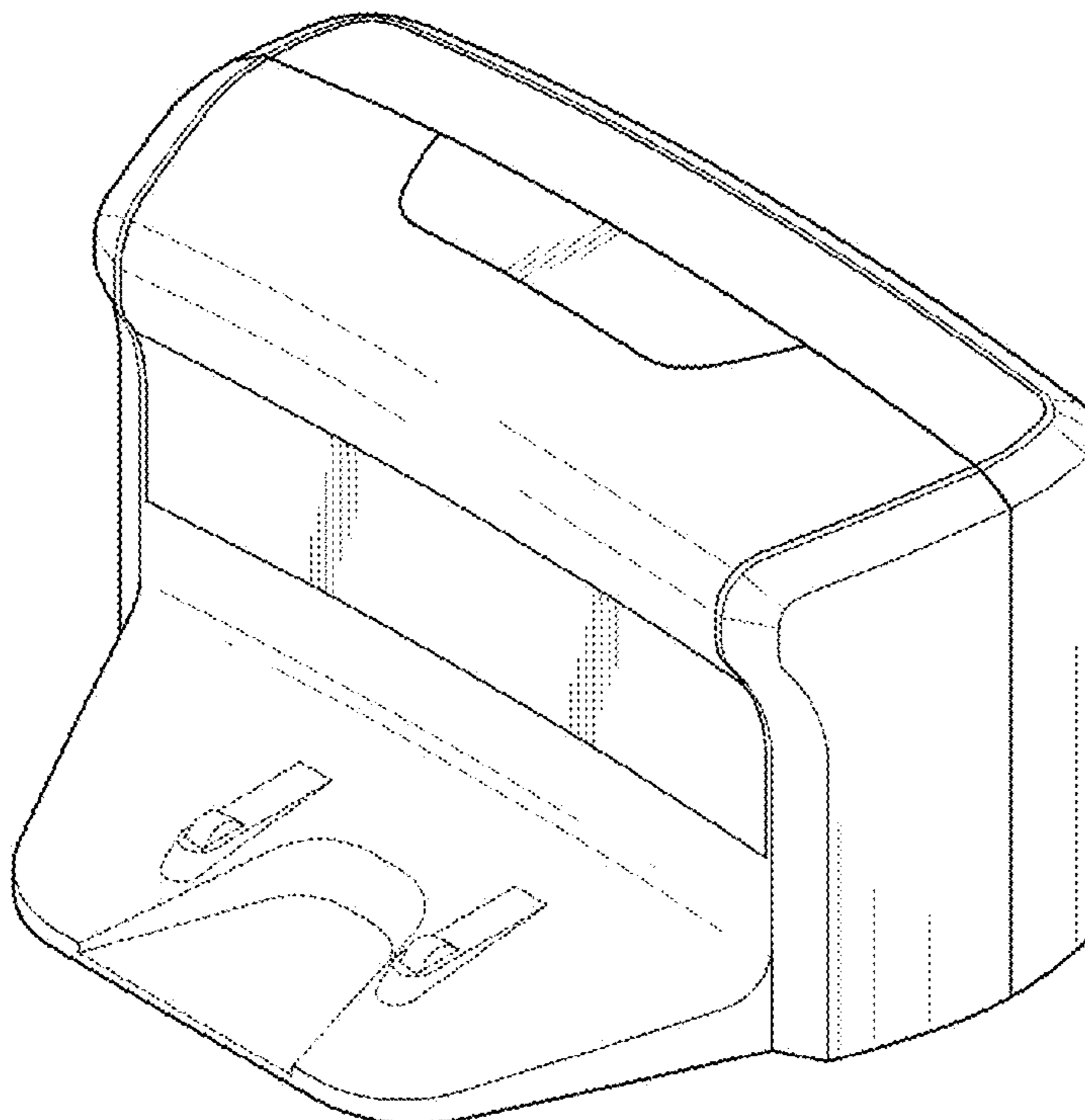


FIG. 1

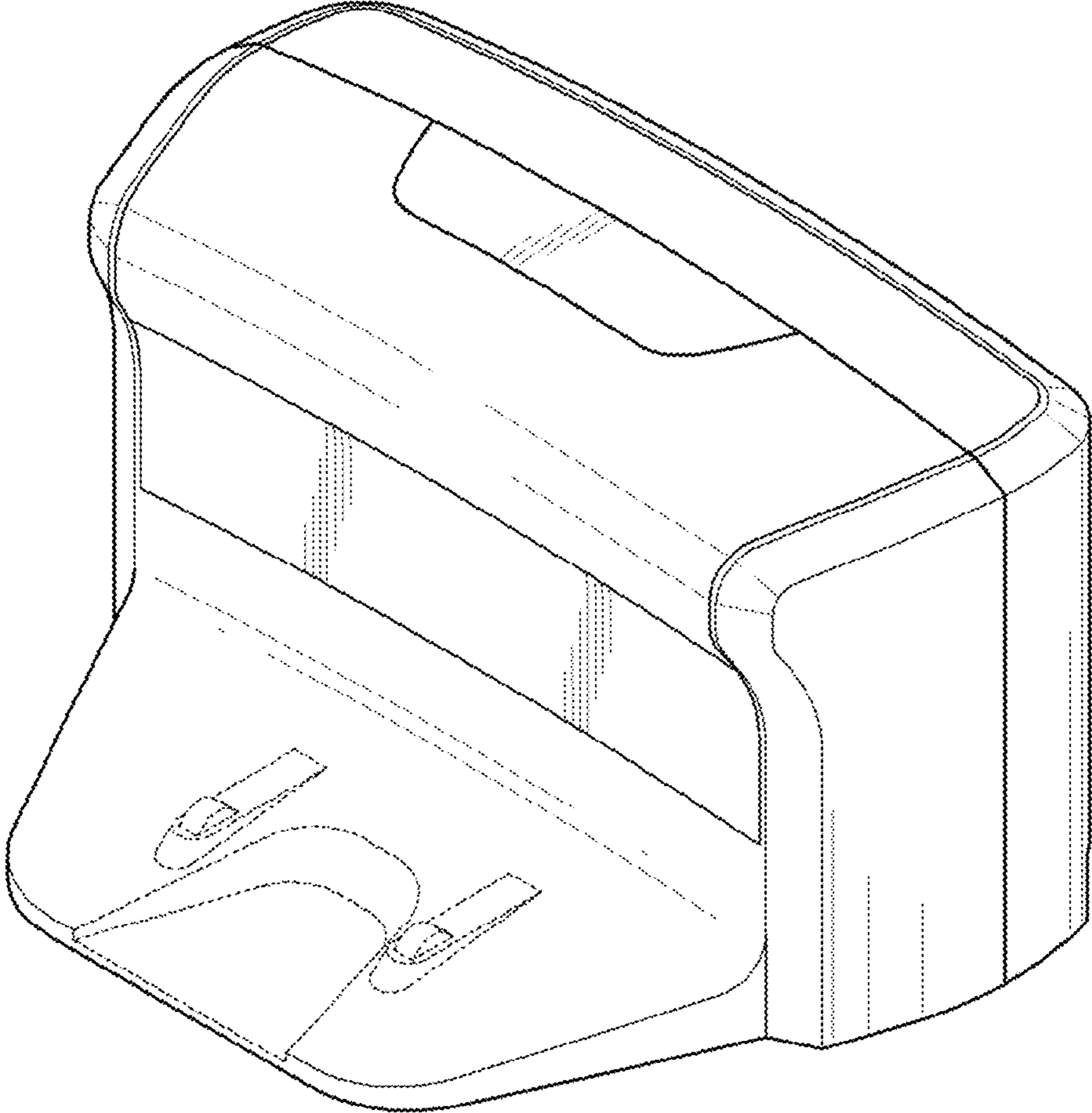


FIG. 2

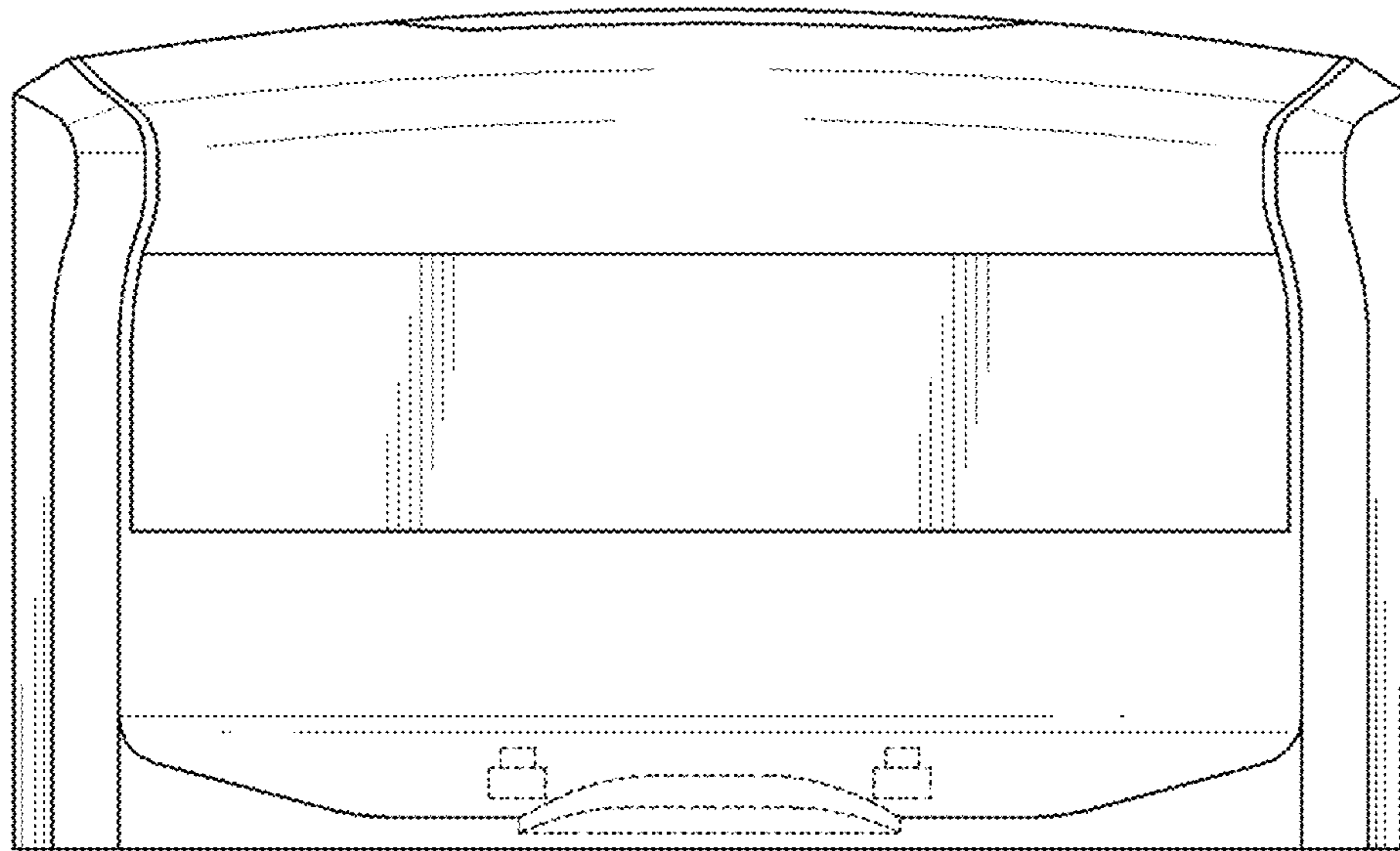


FIG. 3

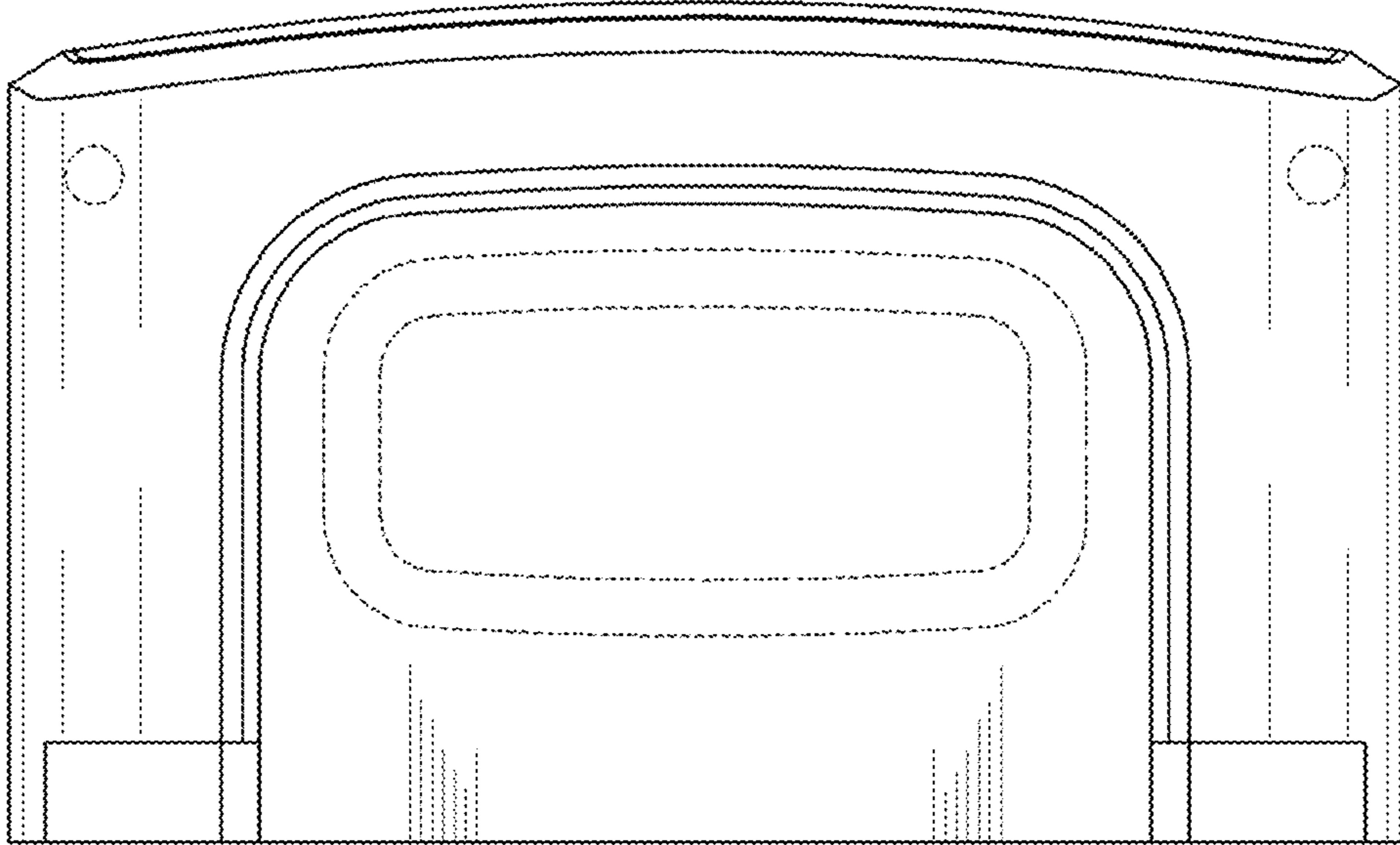


FIG. 4

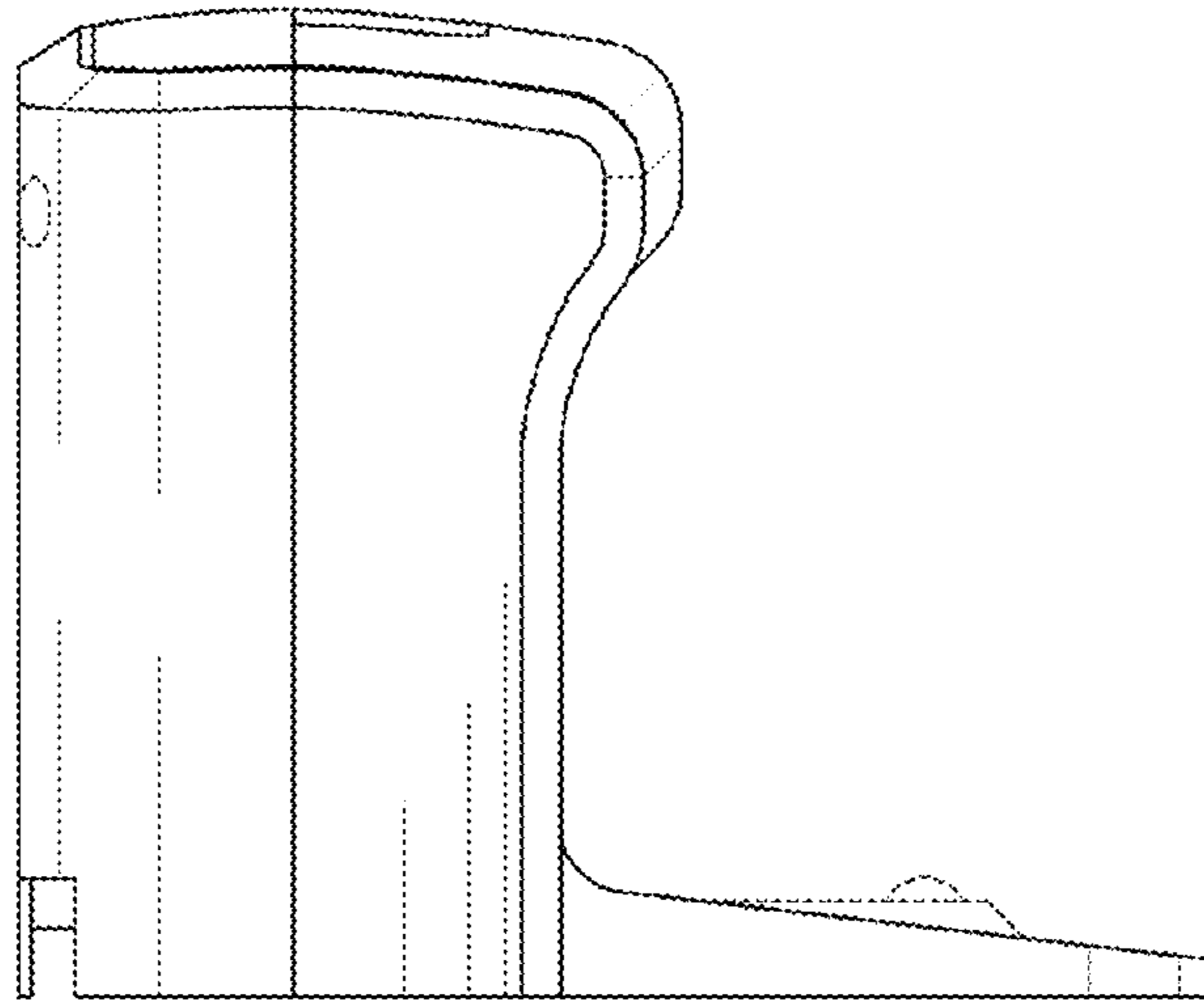


FIG. 5

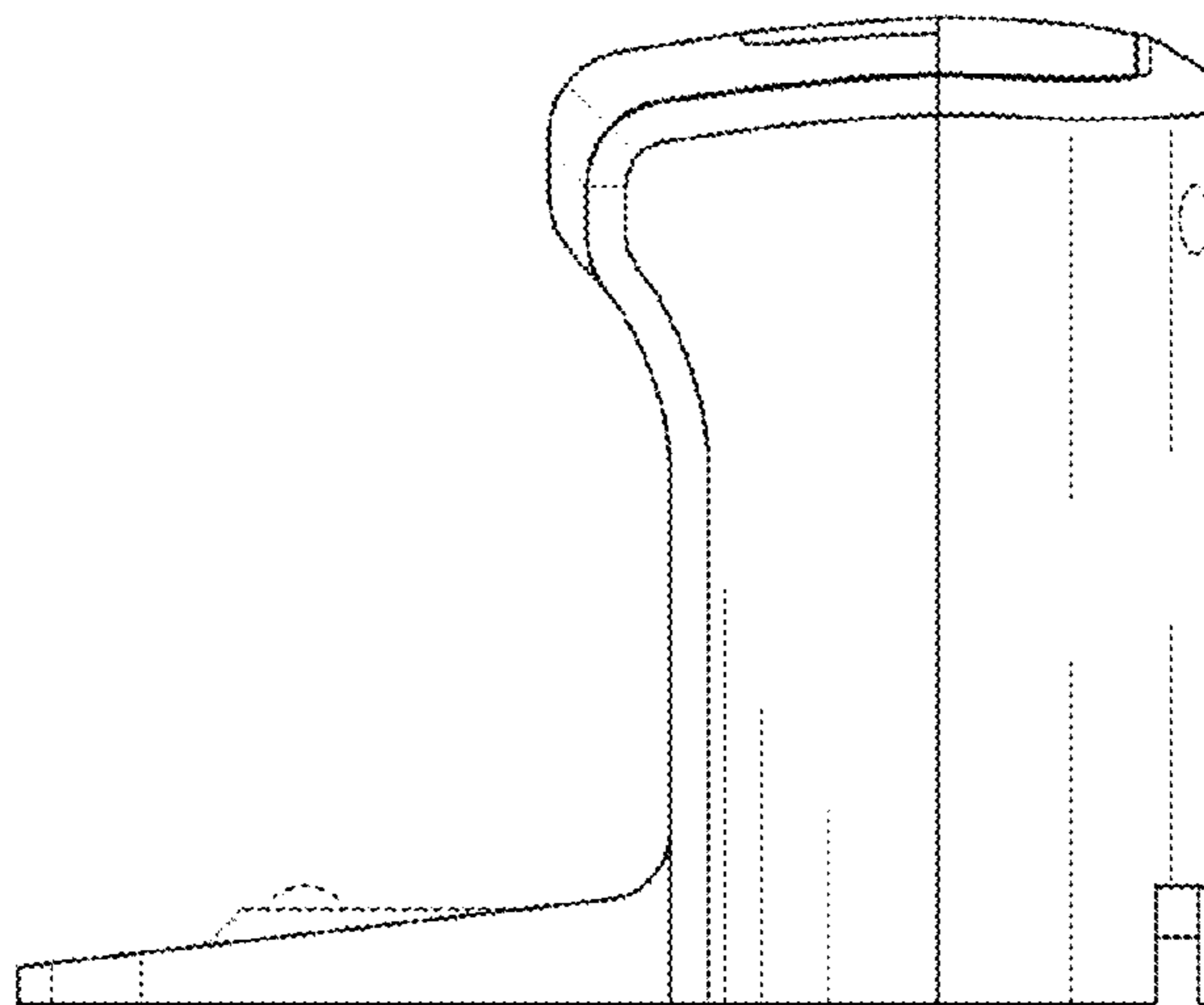


FIG. 6

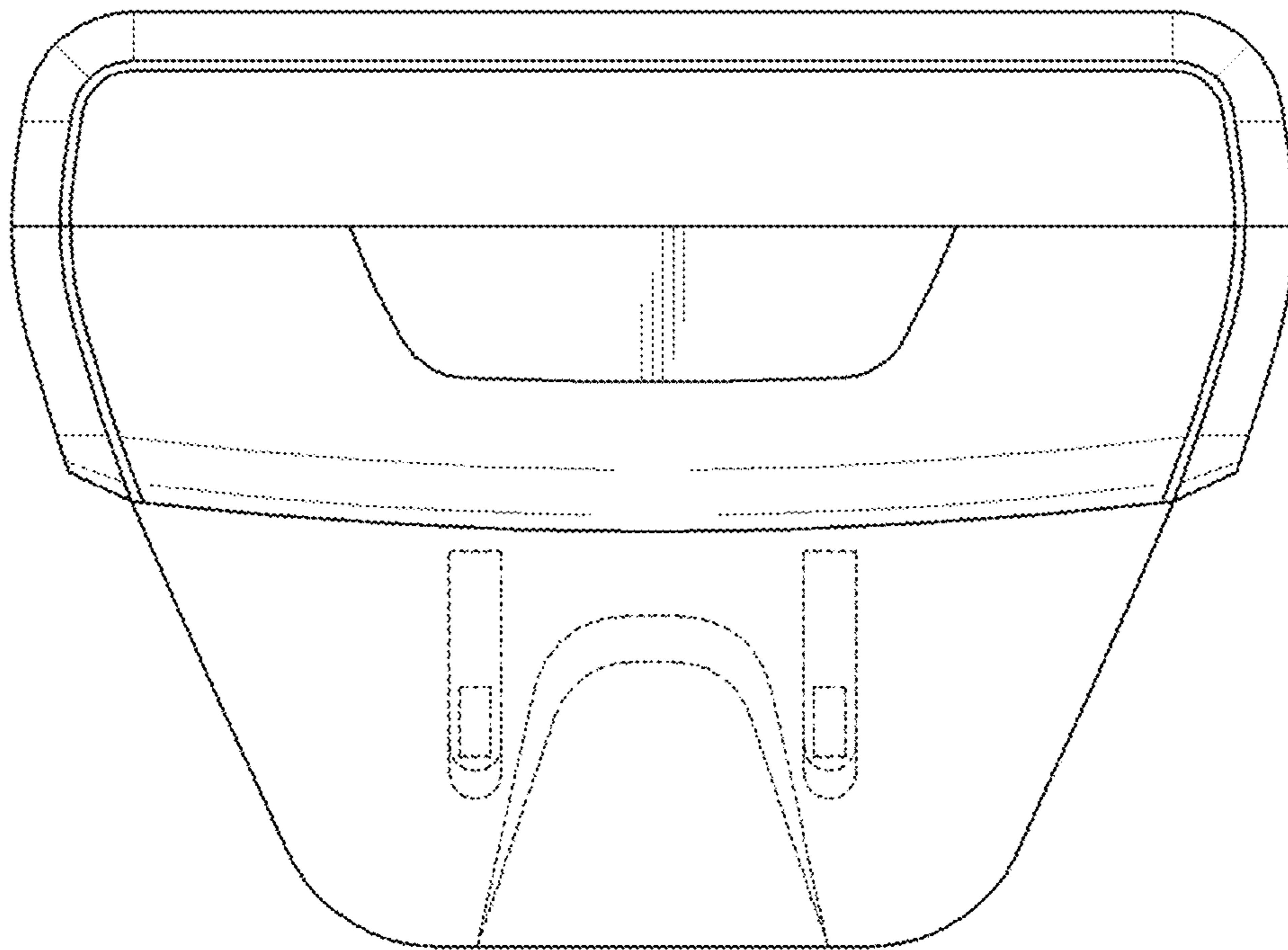


FIG. 7

