



US00D698306S

(12) **United States Design Patent**
Grovender et al.

(10) **Patent No.:** **US D698,306 S**
(45) **Date of Patent:** **** Jan. 28, 2014**

(54) **ELEVATED PONTOON PLATFORM WITH CURVED STEPS**

(71) Applicant: **Premier Marine, Inc.**, Wyoming, MN (US)

(72) Inventors: **David Grovender**, North Branch, MN (US); **John Deurr**, Stacy, MN (US)

(73) Assignee: **Premier Marine, Inc.**, Wyoming, MN (US)

(**) Term: **14 Years**

(21) Appl. No.: **29/434,666**

(22) Filed: **Oct. 16, 2012**

(51) **LOC (10) Cl.** **12-06**

(52) **U.S. Cl.**
USPC **D12/317**

(58) **Field of Classification Search**
USPC D12/96, 98, 203, 317, 318; D25/35, D25/62.63, 65.66; D6/675, 675.3; 114/343, 114/352, 355, 356, 357, 361, 362, 363, 364
See application file for complete search history.

(56) **References Cited**

U.S. PATENT DOCUMENTS

D206,505 S * 12/1966 Schindler D12/316
D280,093 S * 8/1985 Bresie et al. D12/203
5,105,755 A * 4/1992 Davidson 114/343

5,237,954 A * 8/1993 Evans 114/352
D356,289 S * 3/1995 Trent D12/318
D377,463 S * 1/1997 Cressall D12/98
D395,636 S * 6/1998 Pierce D12/300
D397,081 S * 8/1998 Arvilla D12/318
D402,618 S * 12/1998 Veazey D12/310
D427,562 S * 7/2000 Phelan D12/305
D460,038 S * 7/2002 Sosa D12/300
D464,601 S * 10/2002 Aube et al. D12/300
D556,668 S * 12/2007 Quinn D12/300

* cited by examiner

Primary Examiner — Cynthia M Chin

(74) *Attorney, Agent, or Firm* — Winthrop & Weinstine, P.A.

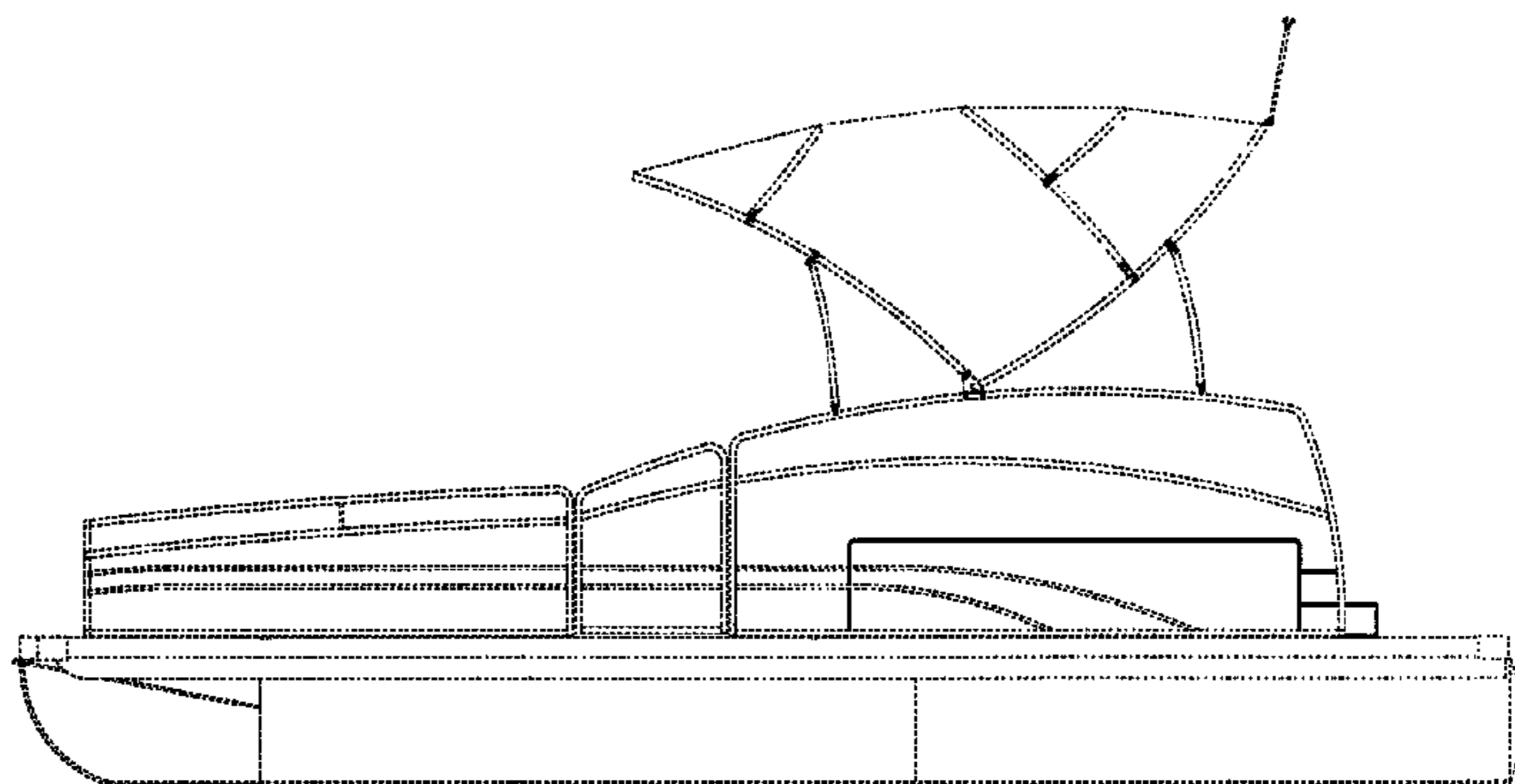
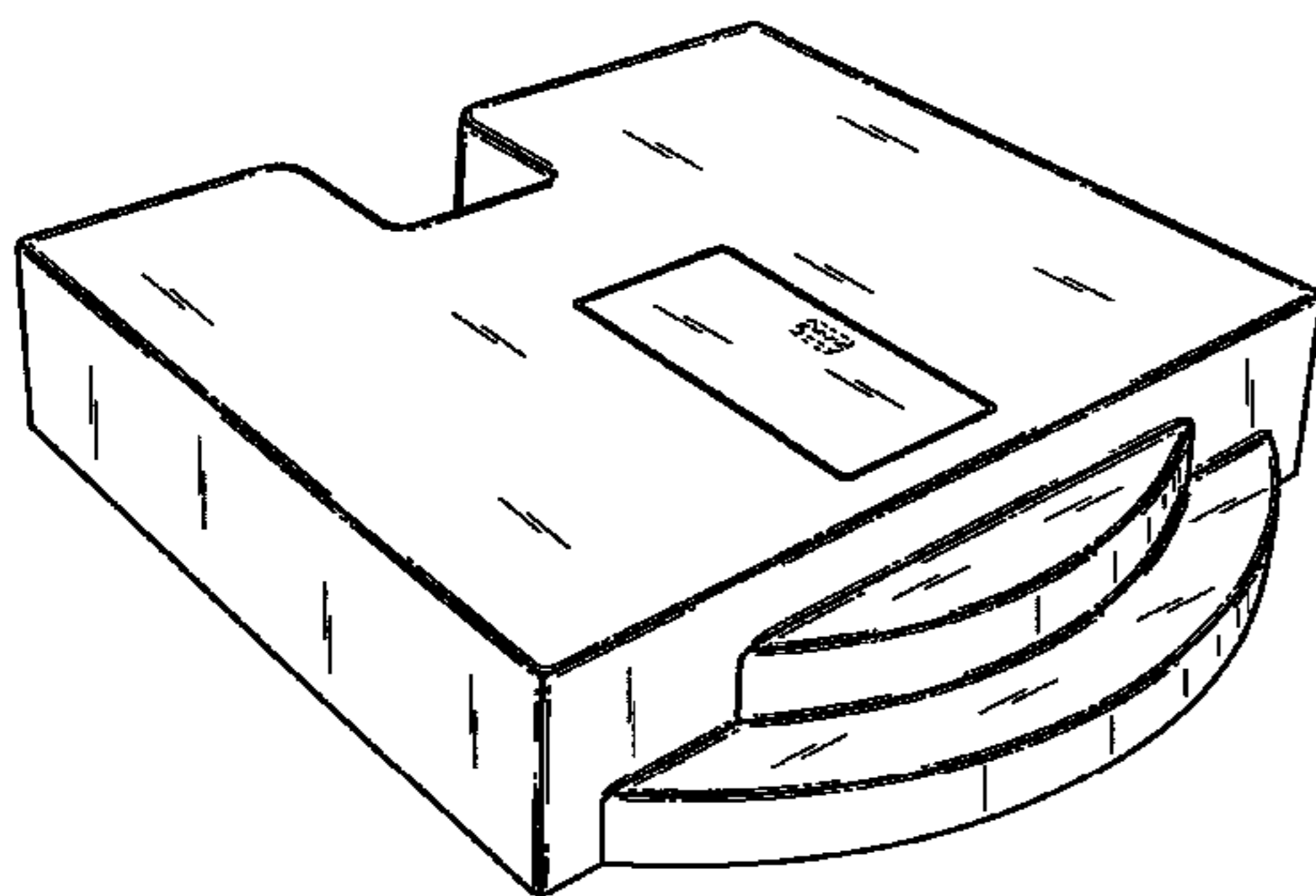
(57) **CLAIM**

The ornamental design for an elevated pontoon platform with curved steps, as shown and described.

DESCRIPTION

FIG. 1 is a perspective view of the elevated pontoon platform with curved steps showing the design.
FIG. 2 is a top view thereof.
FIG. 3 is a bottom view thereof.
FIG. 4 is a front view thereof.
FIG. 5 is a rear view thereof.
FIG. 6 is a side view thereof; and,
FIG. 7 is an environmental side view.
The portions of the disclosure shown in broken lines form no part of the claimed design.

1 Claim, 5 Drawing Sheets



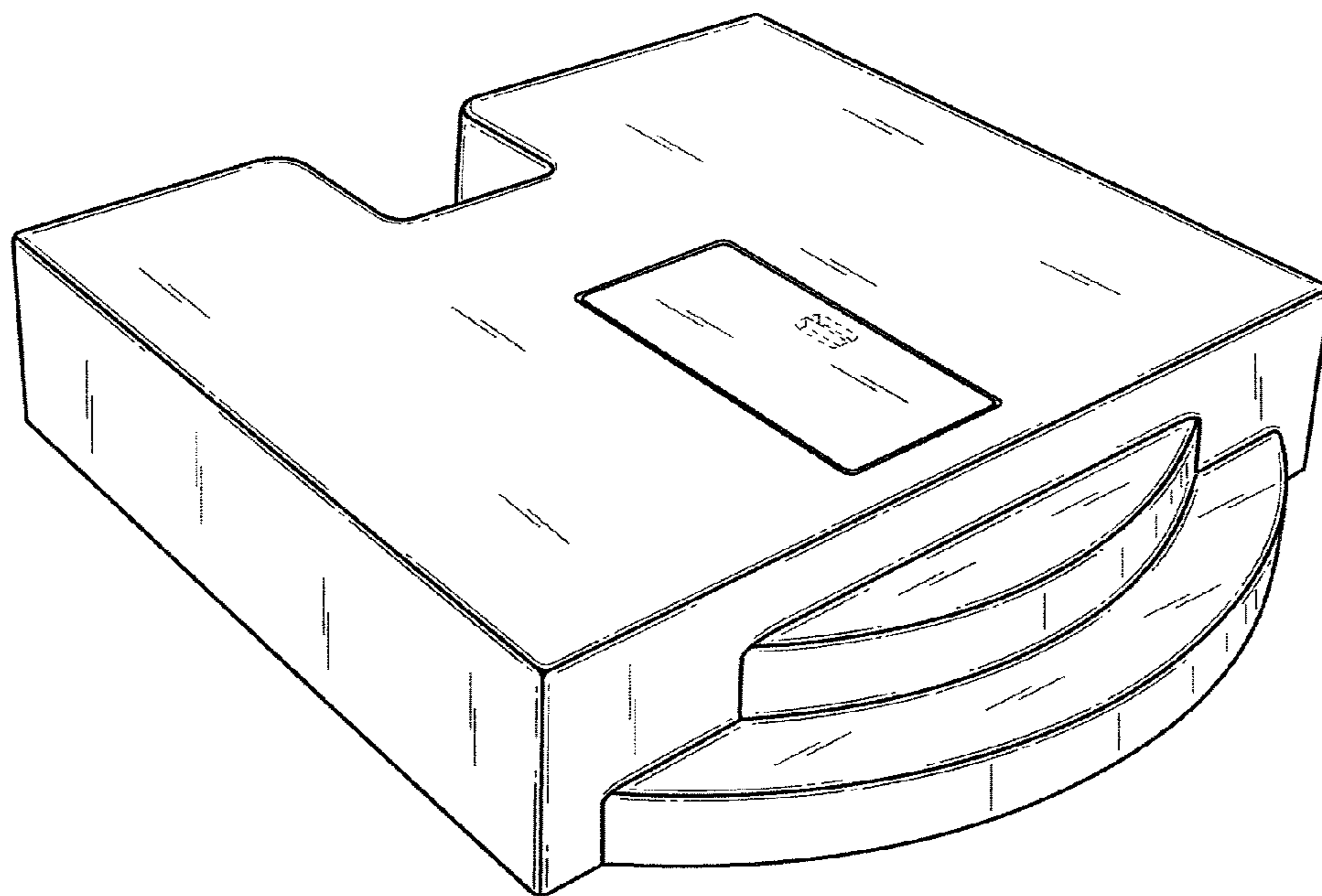


Fig. 1

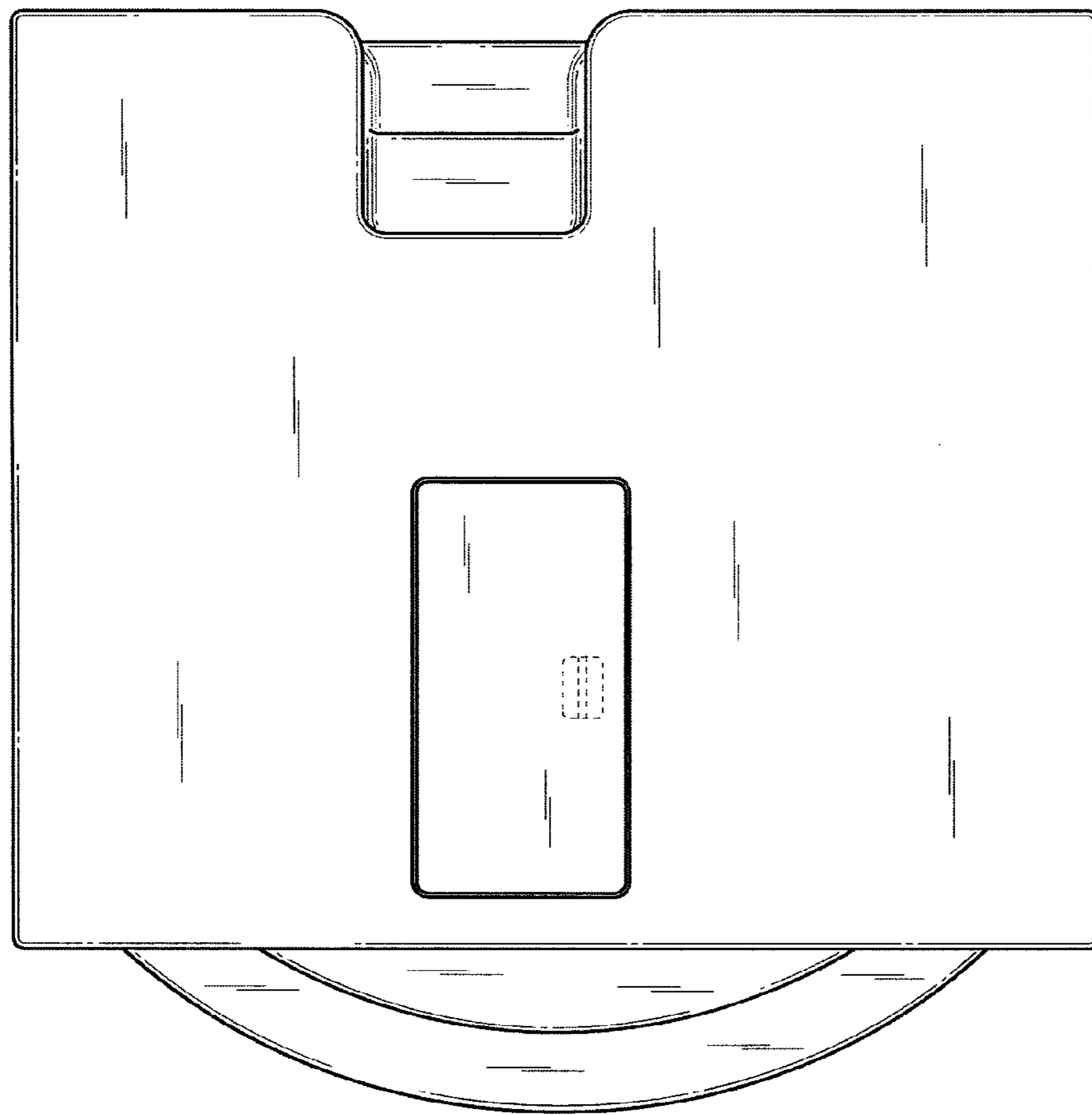


Fig. 2

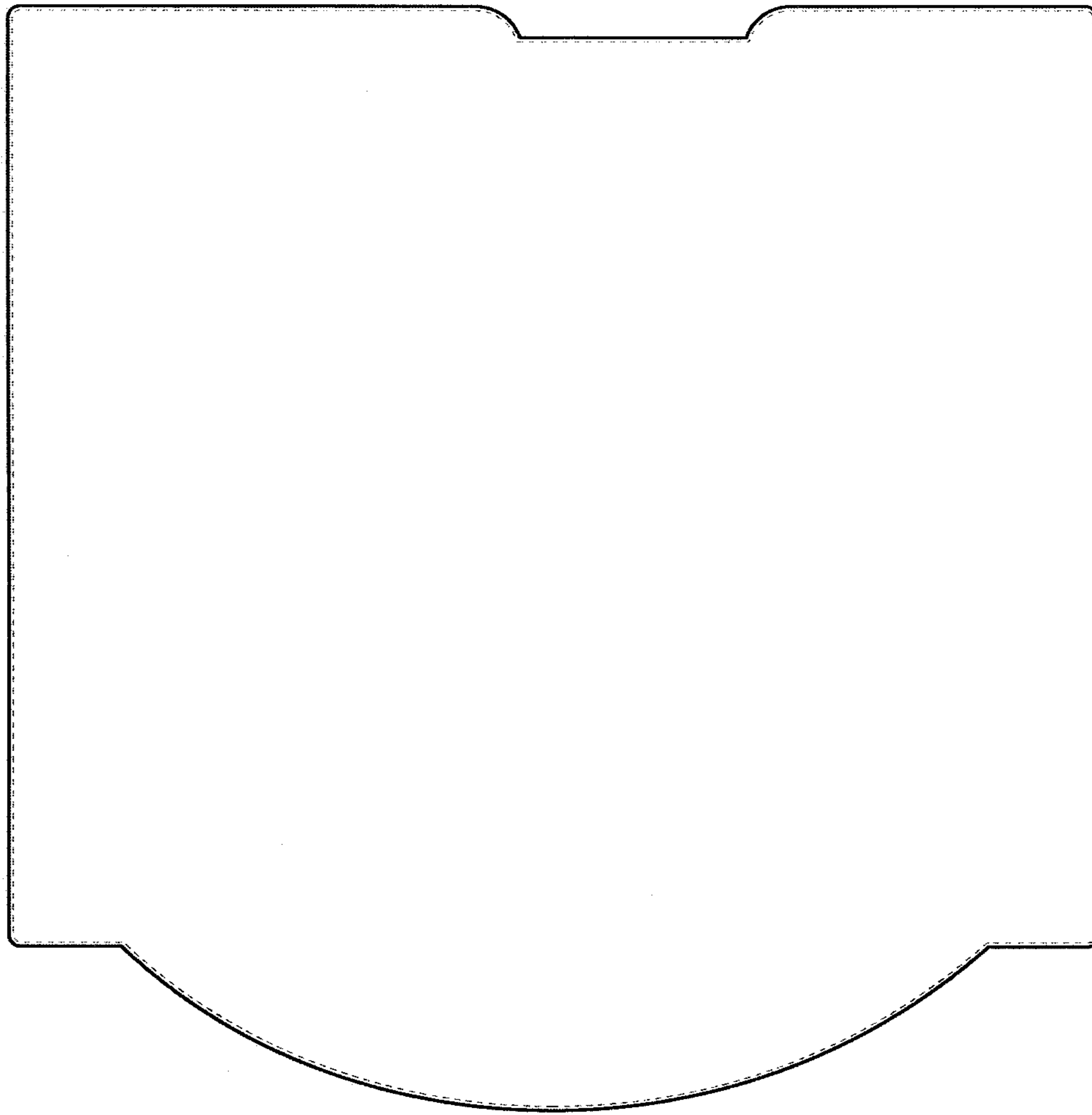


Fig. 3

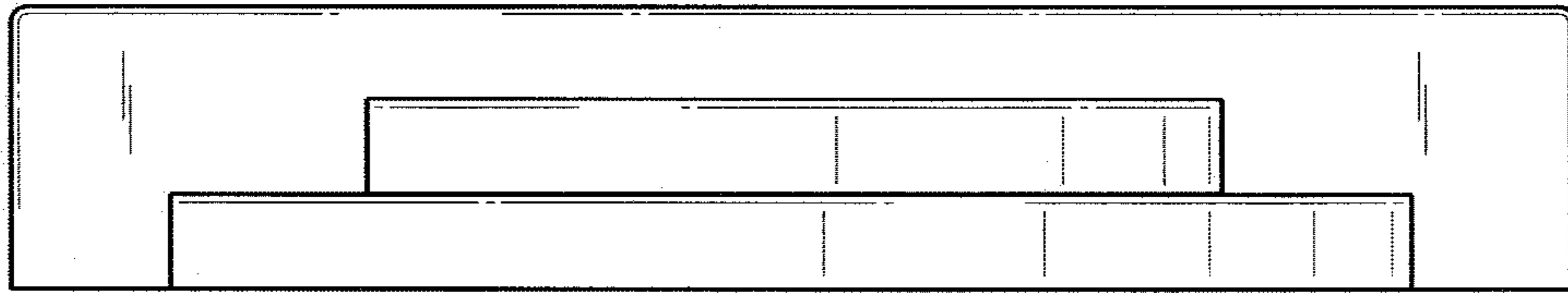


Fig. 4

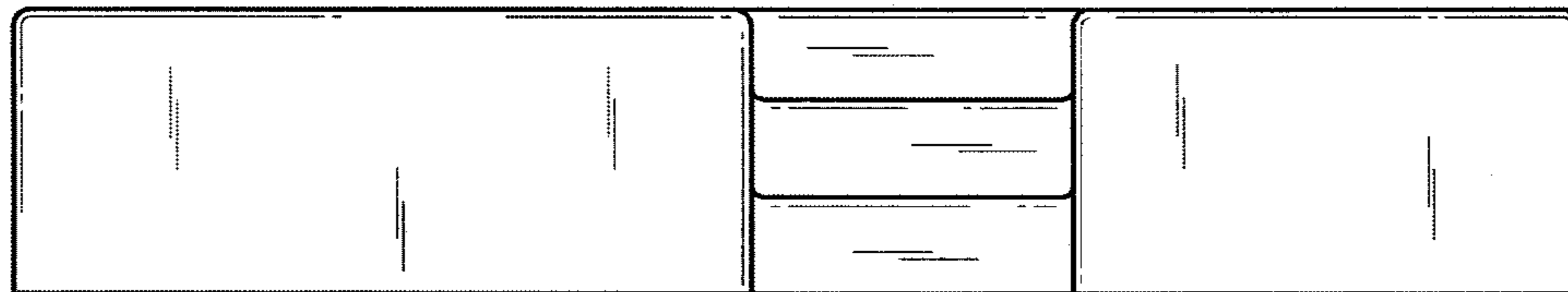


Fig. 5

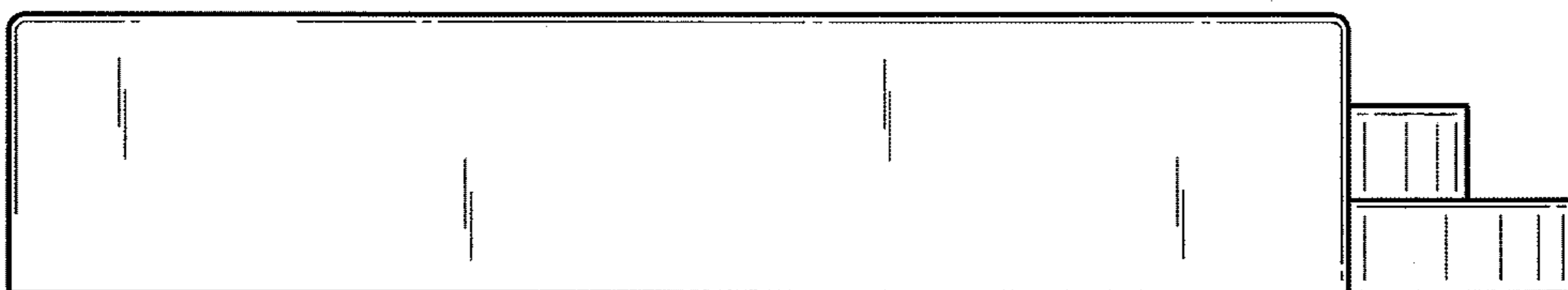


Fig. 6

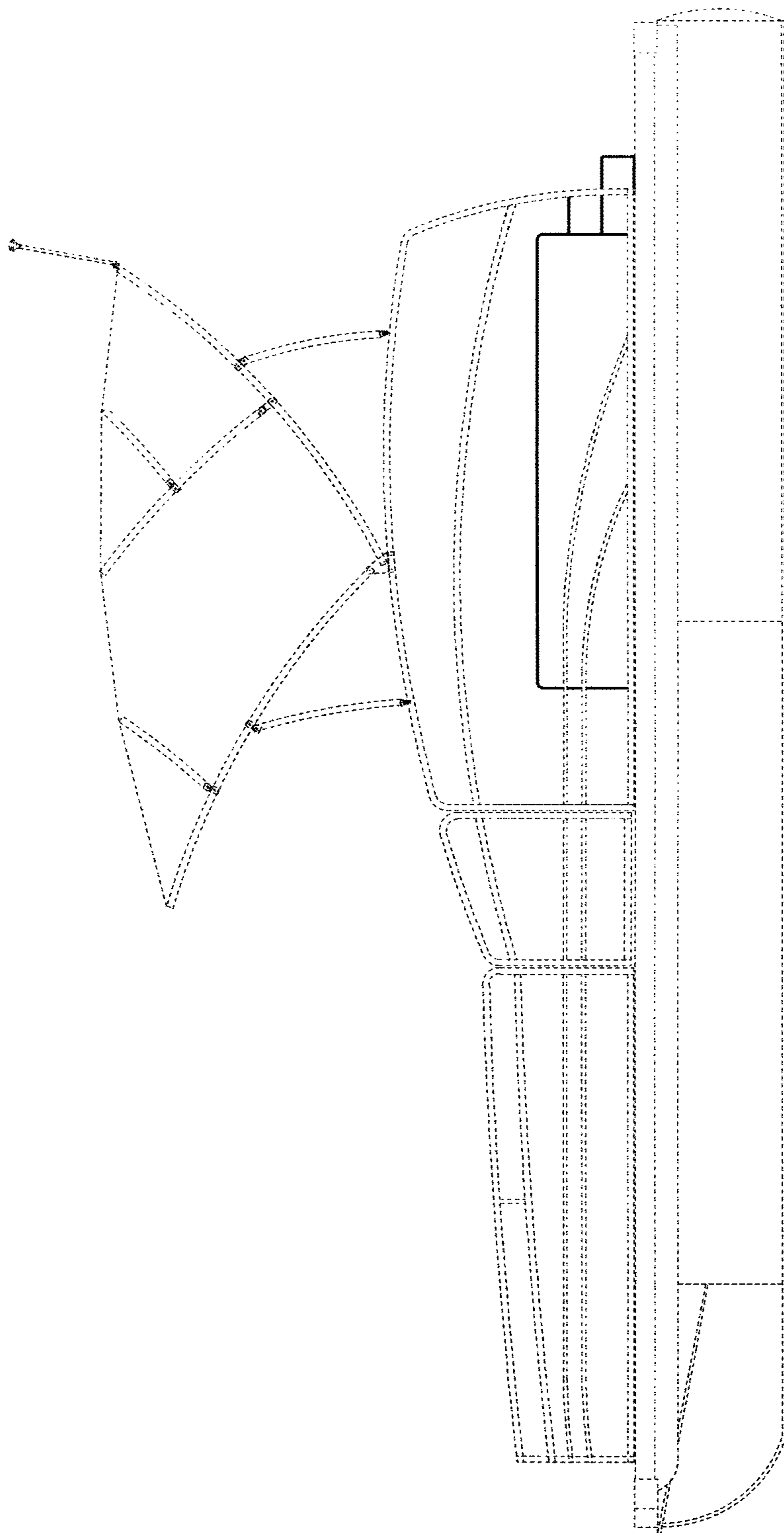


Fig. 7