



US00D698305S

(12) **United States Design Patent**  
**Borgwarth**

(10) **Patent No.:** **US D698,305 S**  
(45) **Date of Patent:** **\*\* Jan. 28, 2014**

- (54) **RIVER PATROL BOAT PANEL**
- (75) Inventor: **Dennis W. Borgwarth**, Andover, MN (US)
- (73) Assignee: **BAE Systems Land & Armaments, L.P.**, Santa Clara, CA (US)
- (\*\*) Term: **14 Years**
- (21) Appl. No.: **29/428,161**
- (22) Filed: **Jul. 26, 2012**
- (51) **LOC (10) Cl.** ..... **12-06**
- (52) **U.S. Cl.**  
USPC ..... **D12/317**
- (58) **Field of Classification Search**  
USPC ..... D12/300, 305-307, 310-318; 114/56, 114/56.1, 61, 67 A, 144 E, 249, 271, 272, 114/273, 292, 283, 288-290, 291, 343, 352, 114/355, 363, 364; D21/542-544, 547  
See application file for complete search history.

- D488,117 S \* 4/2004 Bills et al. .... D12/300
- 6,810,827 B2 11/2004 Hansen
- D570,278 S 6/2008 Horais
- D595,204 S 6/2009 Robinson et al.
- 7,748,339 B2 7/2010 Oh
- 7,775,172 B2 8/2010 Hansen
- 8,240,268 B2 8/2012 Hansen

\* cited by examiner

*Primary Examiner* — Cynthia M Chin

(74) *Attorney, Agent, or Firm* — Patterson Thunte Pedersen, P.A.

(57) **CLAIM**

I claim the ornamental design for a river patrol boat panel, as shown and described.

**DESCRIPTION**

FIG. 1 is a top and side perspective view showing our new design of a river patrol boat panel.

FIG. 2 is a rear perspective view from the rear of the river patrol boat panel depicted in FIG. 1.

FIG. 3 is a front perspective view from the front of the river patrol boat panel depicted in FIG. 1.

FIG. 4 is a top plan view of the river patrol boat panel depicted in FIG. 1.

FIG. 5 is a side elevation view of the river patrol boat panel depicted in FIG. 1; and,

FIG. 6 is a bottom plan view of the river patrol boat panel depicted in FIG. 1.

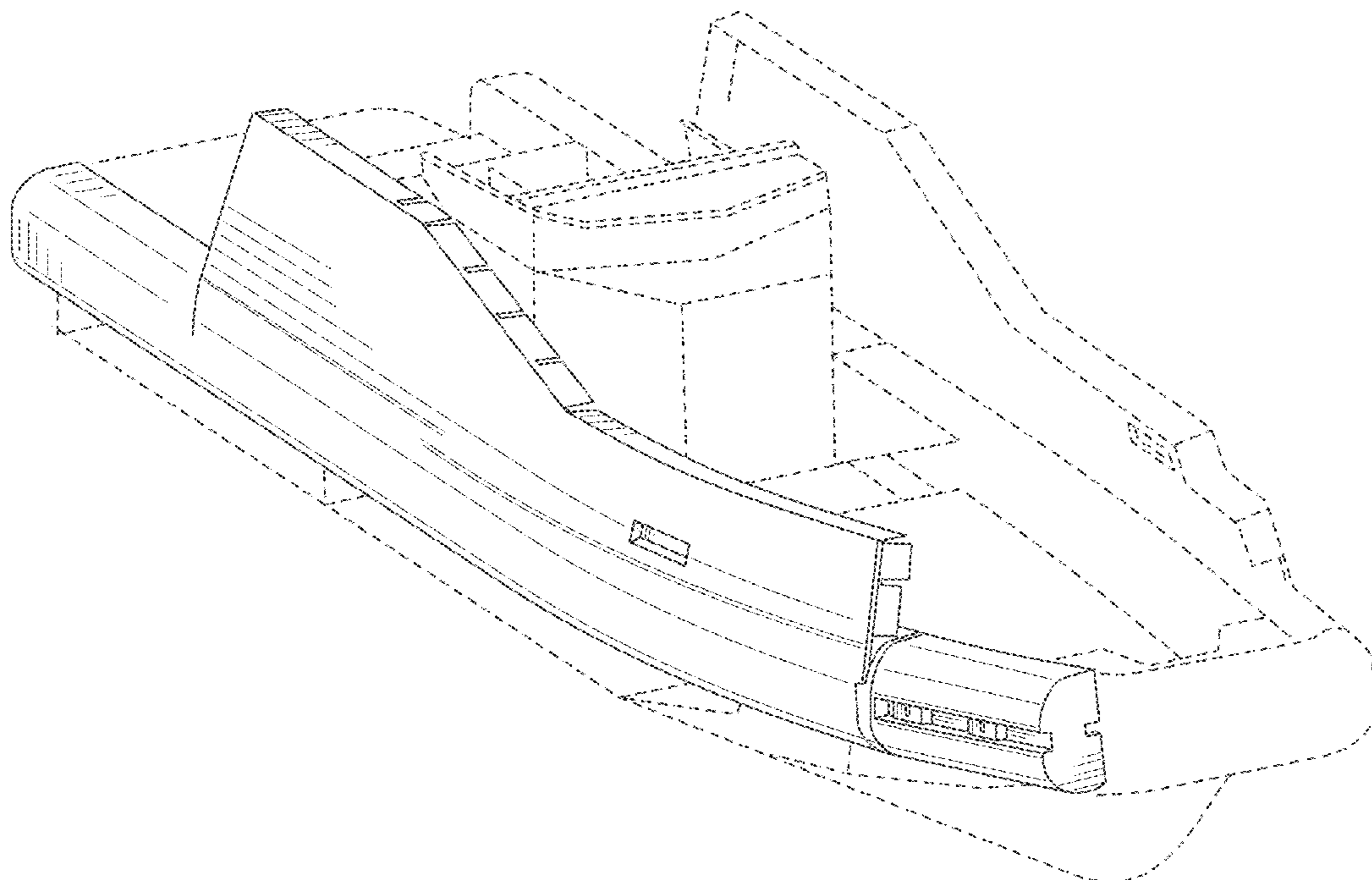
The broken lines shown are included for the purpose of illustrating the unclaimed portions of the article and form no part of the claimed design.

(56) **References Cited**

U.S. PATENT DOCUMENTS

- D219,627 S 12/1970 Cole
- D221,485 S \* 8/1971 Hutcheson et al. .... D12/307
- D301,573 S 6/1989 Fuller
- D313,585 S \* 1/1991 Ino ..... D12/310
- D325,020 S \* 3/1992 Doherty ..... D12/317
- D331,564 S \* 12/1992 Scarboro ..... D12/318
- D341,566 S 11/1993 Brooks et al.
- 5,492,076 A 2/1996 Kobayashi

**1 Claim, 2 Drawing Sheets**



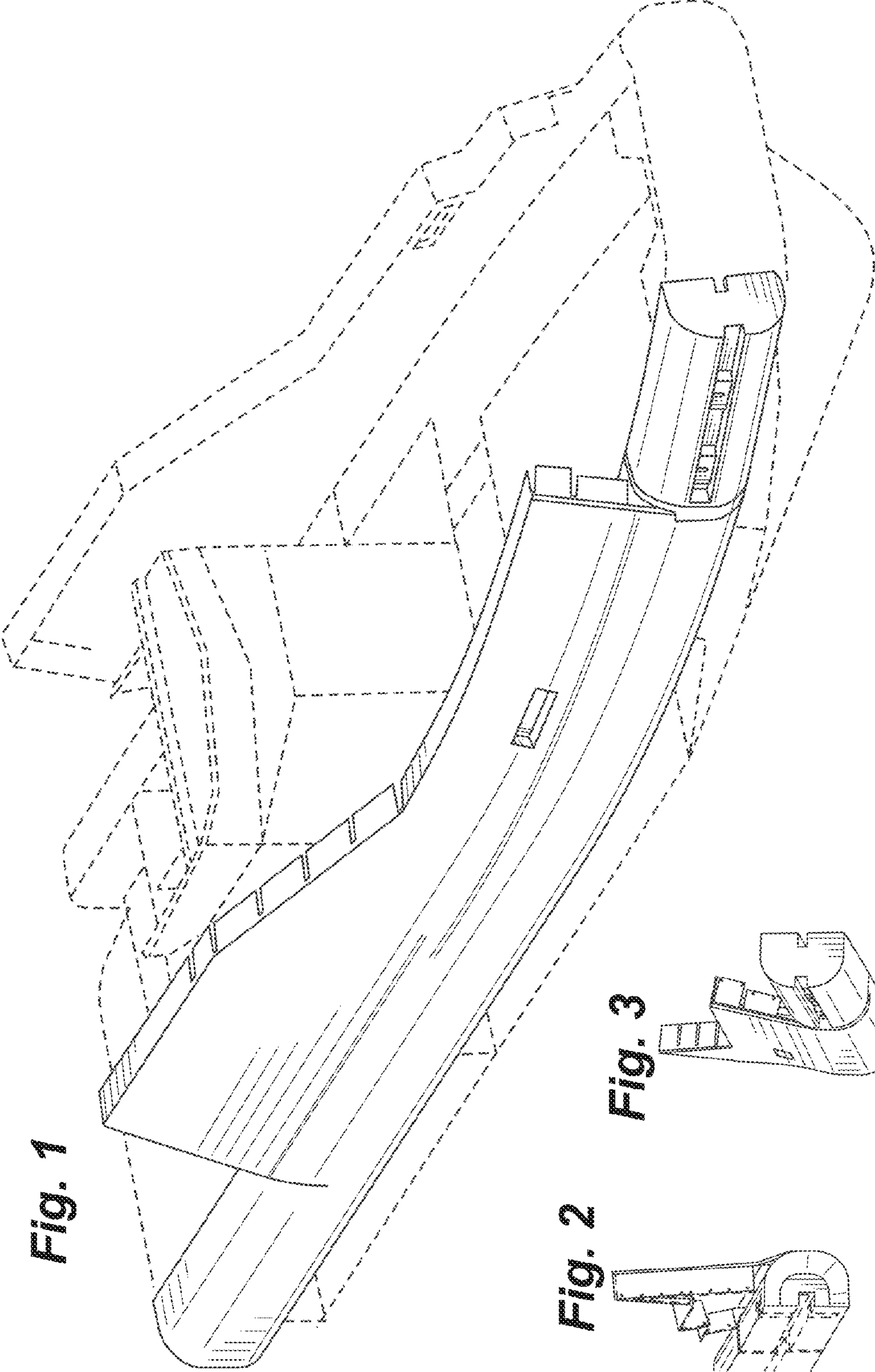


Fig. 1

Fig. 2

Fig. 3

