

US00D698304S

(12) **United States Design Patent**
Dubois et al.

(10) **Patent No.:** **US D698,304 S**

(45) **Date of Patent:** **** Jan. 28, 2014**

(54) **STEERING BEZEL**

(75) Inventors: **Antoine Dubois**, Montreal (CA);
Patrick Mainville, Montreal (CA)

(73) Assignee: **Marine Canada Acquisition Inc.**,
Richmond (CA)

(**) Term: **14 Years**

(21) Appl. No.: **29/413,248**

(22) Filed: **Feb. 13, 2012**

(51) **LOC (10) Cl.** **12-06**

(52) **U.S. Cl.**
USPC **D12/317**

(58) **Field of Classification Search**
USPC D12/175, 176, 177, 317; 114/23, 144 R,
114/15, 160; 74/493; 440/53
See application file for complete search history.

(56) **References Cited**

U.S. PATENT DOCUMENTS

D173,683	S	*	12/1954	Sinko	D12/177
D176,298	S	*	12/1955	Whitehouse	D12/177
D185,608	S	*	6/1959	Mainzinger	D12/177
4,467,667	A	*	8/1984	Baba	74/493
4,531,921	A	*	7/1985	Teraura et al.	440/53

5,136,894	A	*	8/1992	Carter et al.	74/493
5,676,081	A	*	10/1997	Kobelt	114/144 R
6,588,354	B2	*	7/2003	Gai	114/144 R
D511,490	S	*	11/2005	Zeiger	D12/317
D562,753	S	*	2/2008	Wall et al.	D12/317
D562,754	S	*	2/2008	Wall et al.	D12/317
2005/0166819	A1	*	8/2005	Zeiger	114/144 R

* cited by examiner

Primary Examiner — Cynthia M Chin

(74) *Attorney, Agent, or Firm* — Cameron IP

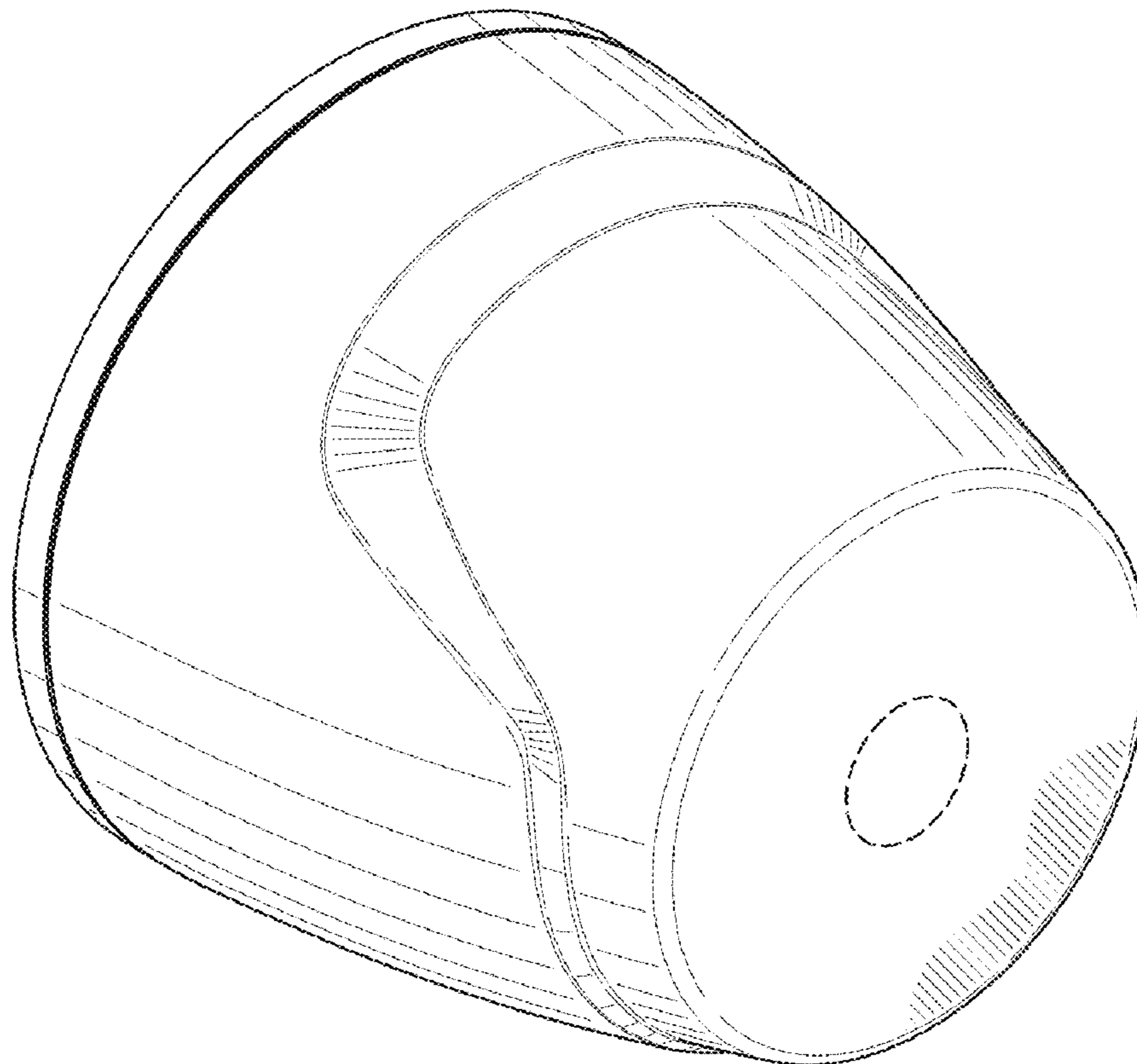
(57) **CLAIM**

The ornamental design for a steering bezel, as shown and described.

DESCRIPTION

FIG. 1 is a side front, perspective view of our new design; FIG. 2 is a side front, perspective view of the design of FIG. 1 shown from the side opposite to that of FIG. 1; FIG. 3 is a side elevational view thereof; FIG. 4 is a side elevational view from the side opposite to that of FIG. 3; FIG. 5 is a front, elevational view thereof; and, FIG. 6 is a rear elevational view thereof. The dashed lines of the various figures form no portion of the claimed design.

1 Claim, 4 Drawing Sheets



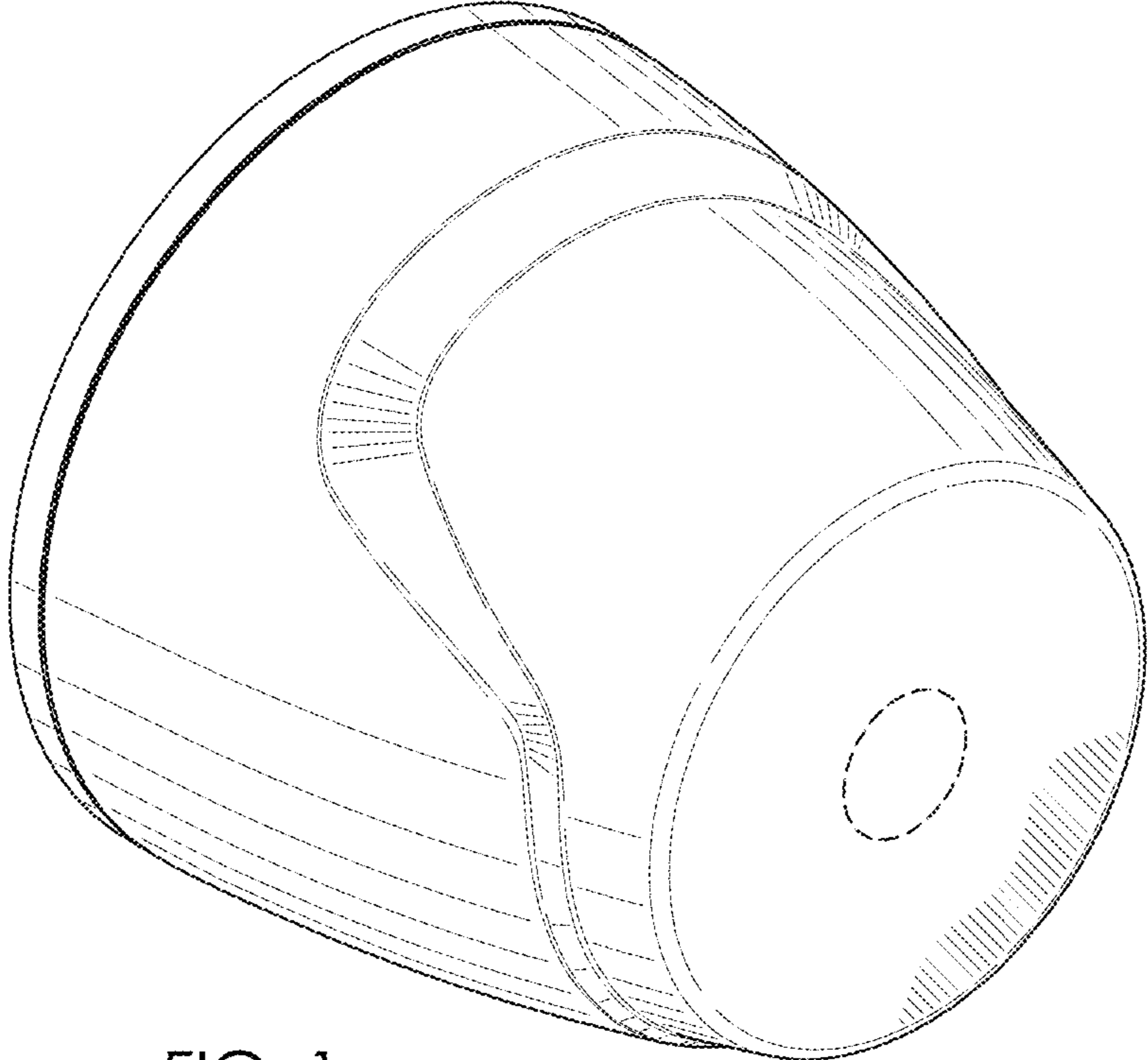


FIG. 1

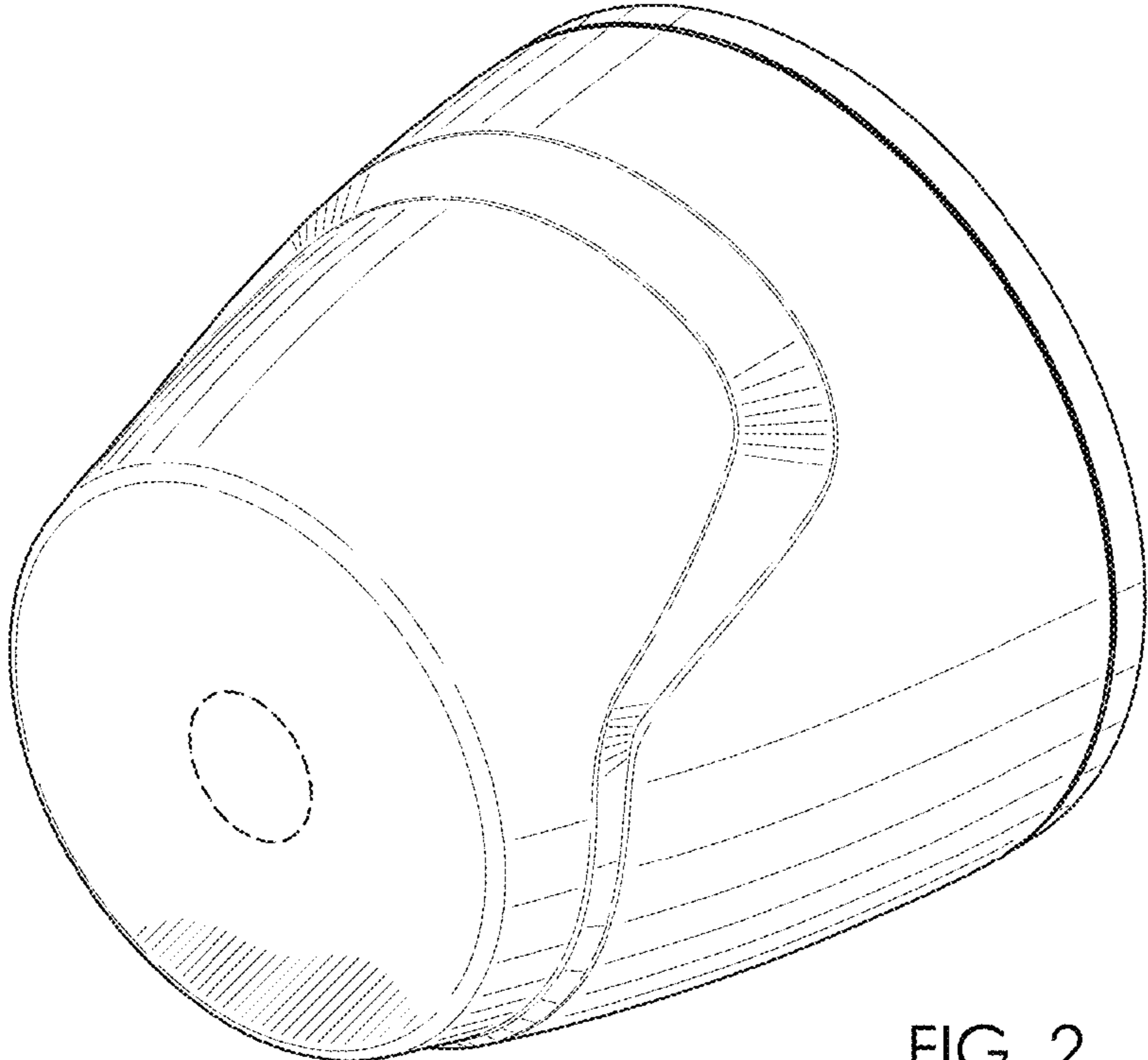


FIG. 2

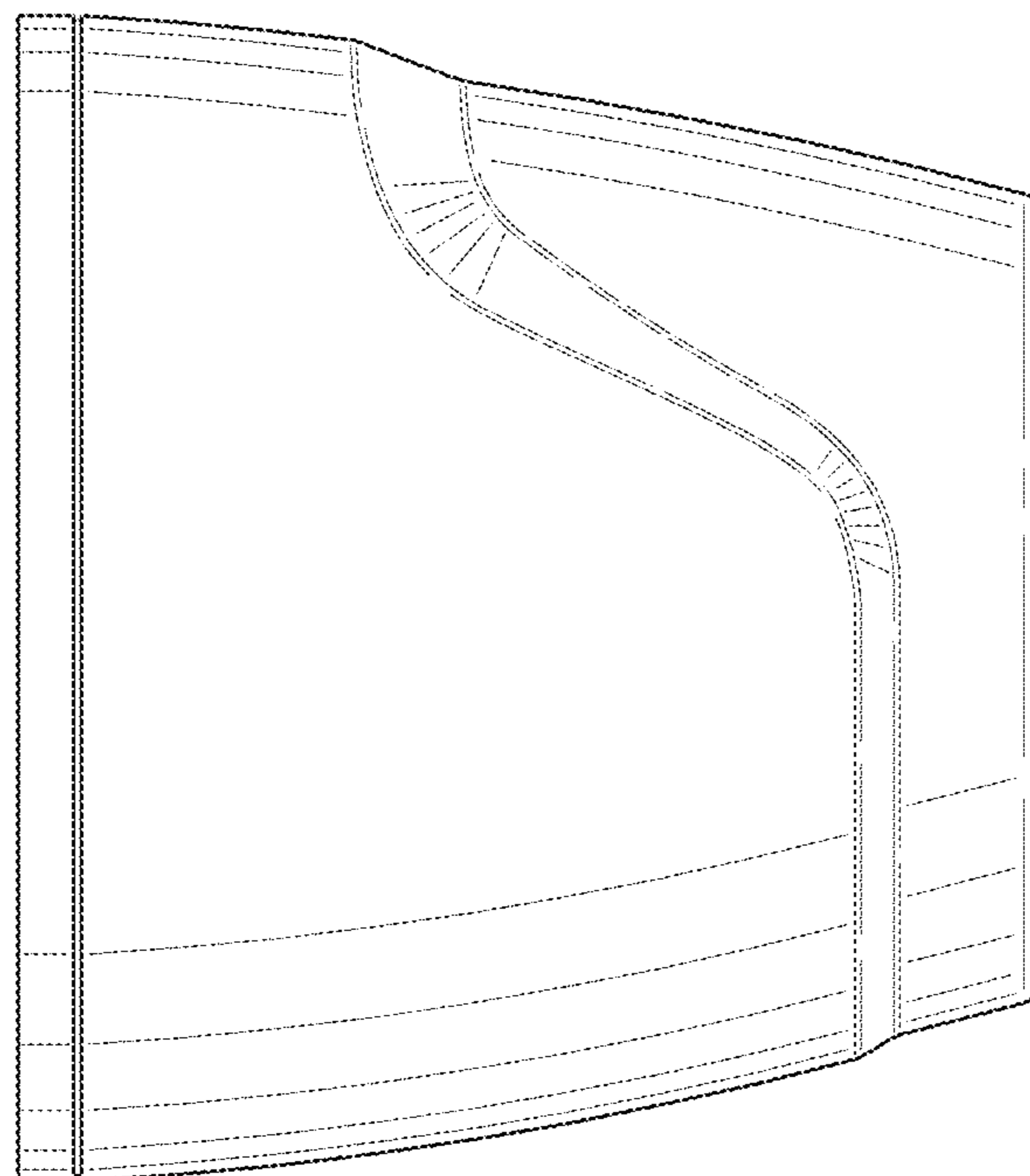


FIG. 3

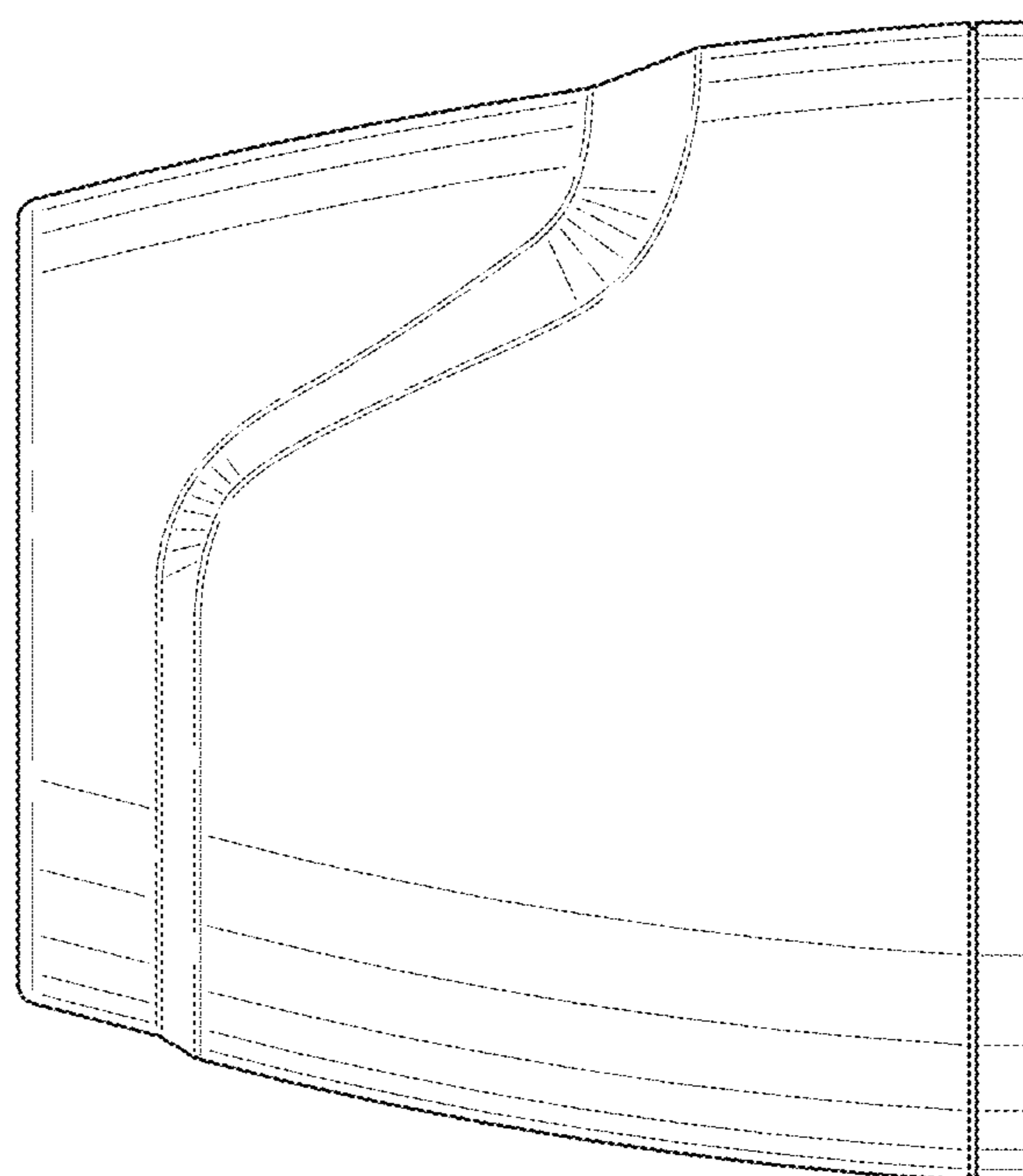


FIG. 4

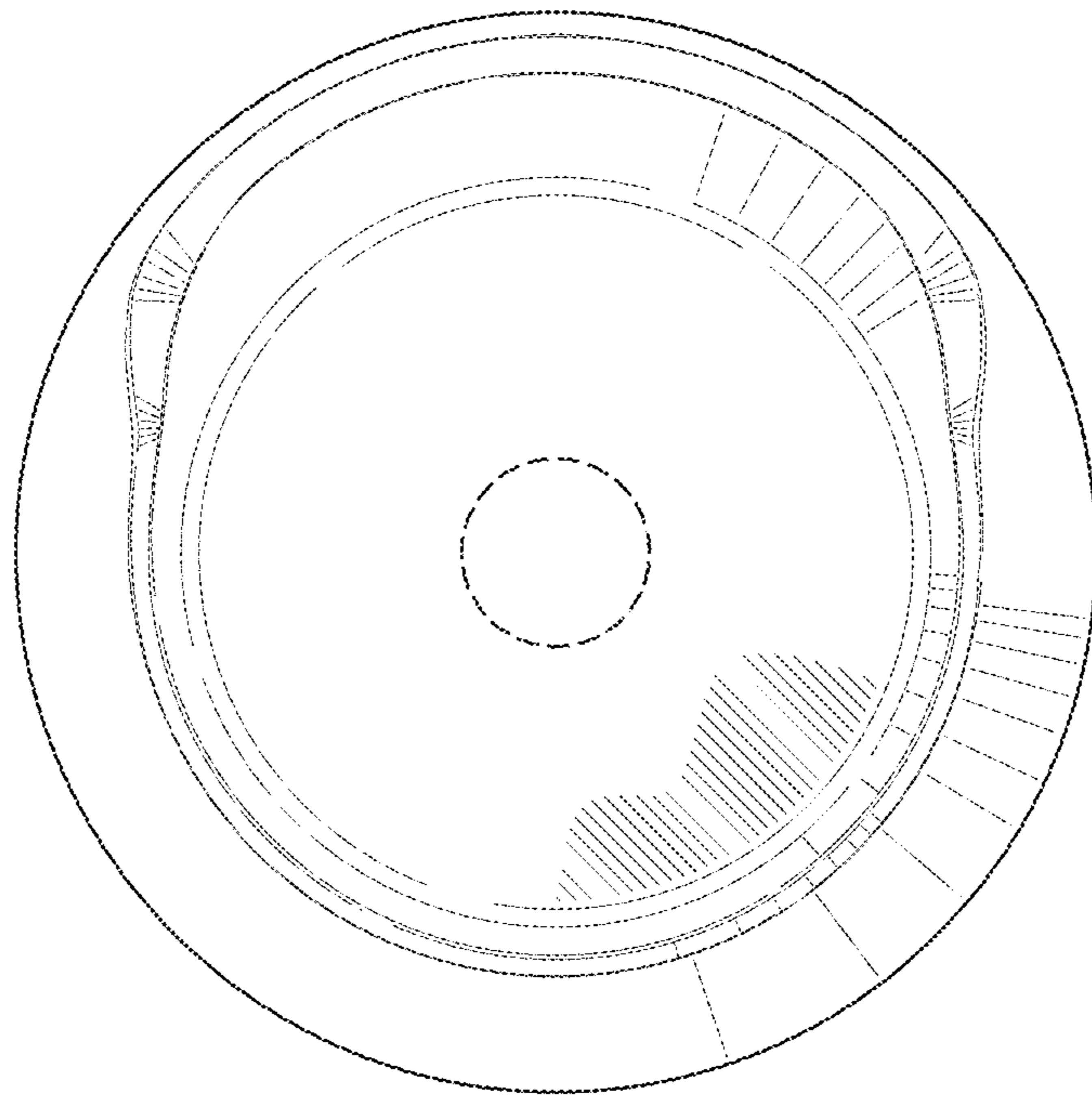


FIG. 5

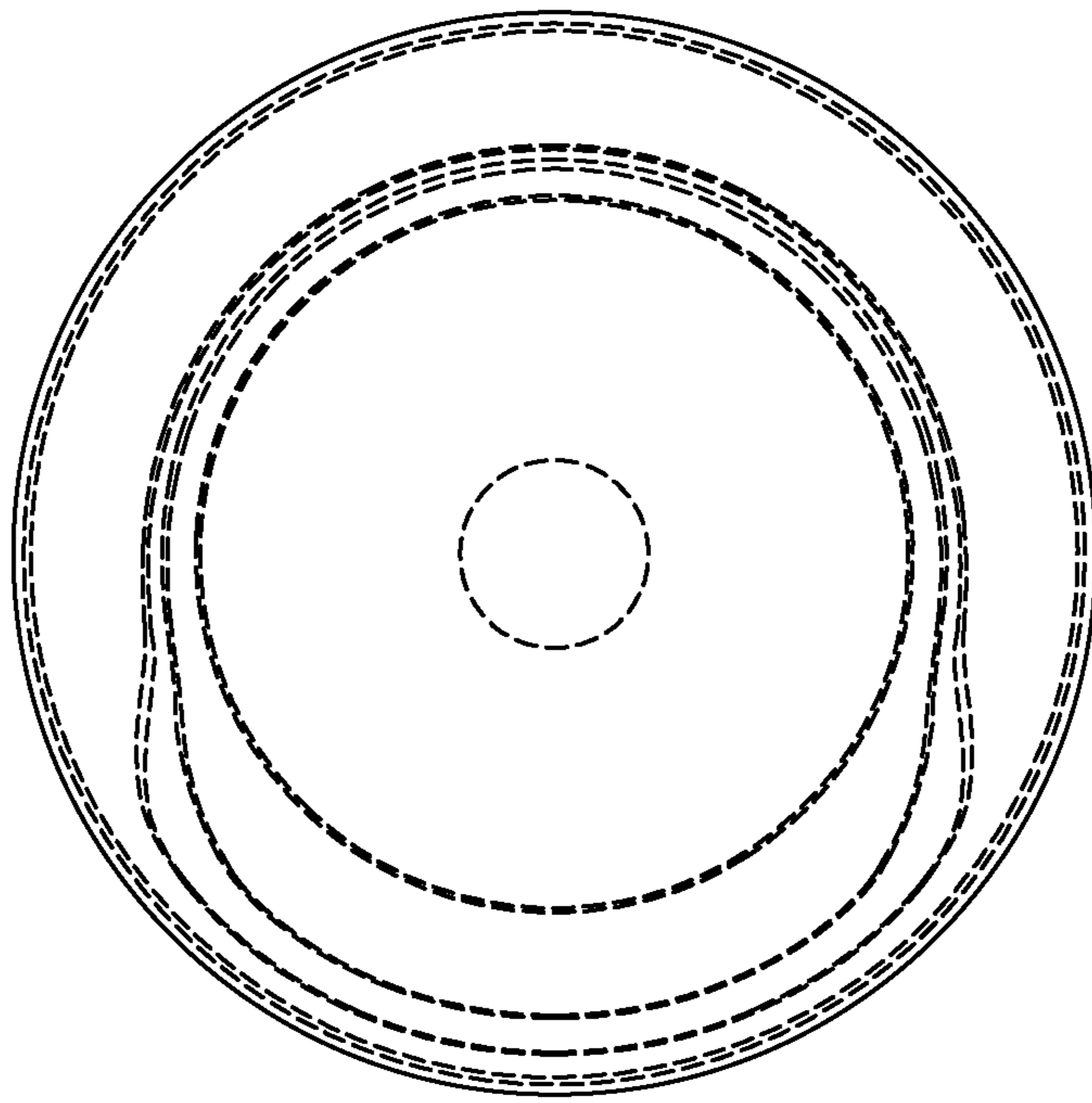


FIG. 6