



US00D698301S

(12) **United States Design Patent**  
**Lemke**

(10) **Patent No.:** **US D698,301 S**  
(45) **Date of Patent:** **\*\* Jan. 28, 2014**

(54) **WHEEL FOR MOTOR VEHICLE, TOY REPLICA AND/OR OTHER REPLICAS**

(71) Applicant: **Audi AG**, Ingolstadt (DE)

(72) Inventor: **Peter Lemke**, Munich (DE)

(73) Assignee: **Audi AG**, Ingolstadt (DE)

(\*\*) Term: **14 Years**

(21) Appl. No.: **29/458,024**

(22) Filed: **Jun. 14, 2013**

(30) **Foreign Application Priority Data**

Dec. 14, 2012 (EM) ..... 002153528-0001

(51) **LOC (10) Cl.** ..... **12-16**

(52) **U.S. Cl.**  
USPC ..... **D12/211**

(58) **Field of Classification Search**  
USPC ..... D12/204-213; 301/37.101, 64.101, 65,  
301/64.201

See application file for complete search history.

(56) **References Cited**

**U.S. PATENT DOCUMENTS**

D375,076 S \* 10/1996 Cattaneo ..... D12/211  
D392,611 S \* 3/1998 Echazabal et al. .... D12/211  
D475,337 S \* 6/2003 Kataoka ..... D12/209

D499,371 S \* 12/2004 Koch ..... D12/211  
D583,739 S \* 12/2008 Gallert ..... D12/209  
D593,019 S \* 5/2009 Tirado ..... D12/209  
D617,716 S \* 6/2010 Lamm et al. .... D12/211  
D638,768 S \* 5/2011 Nissl ..... D12/211  
D643,795 S \* 8/2011 Nissl ..... D12/211  
D663,249 S \* 7/2012 Zhang ..... D12/211  
D670,635 S \* 11/2012 Pollmann ..... D12/211  
D671,472 S \* 11/2012 Pollmann ..... D12/209  
D683,294 S \* 5/2013 Pollmann ..... D12/209  
D686,128 S \* 7/2013 Baum et al. .... D12/209

\* cited by examiner

*Primary Examiner* — Stacia Cadmus

(74) *Attorney, Agent, or Firm* — Abelman, Frayne & Schwab

(57) **CLAIM**

The ornamental design for wheel for motor vehicle, toy replica and/or other replicas, as shown and described.

**DESCRIPTION**

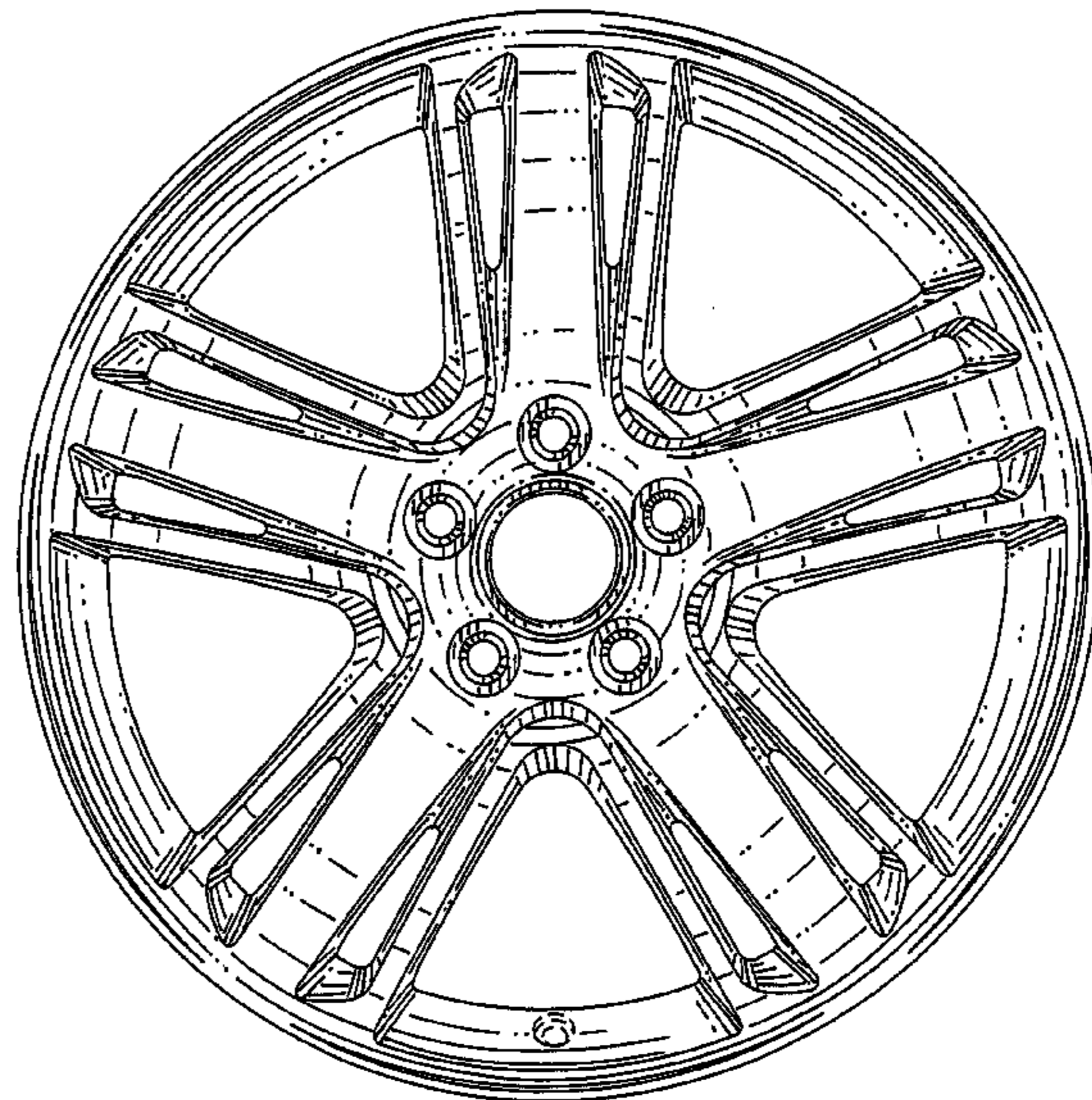
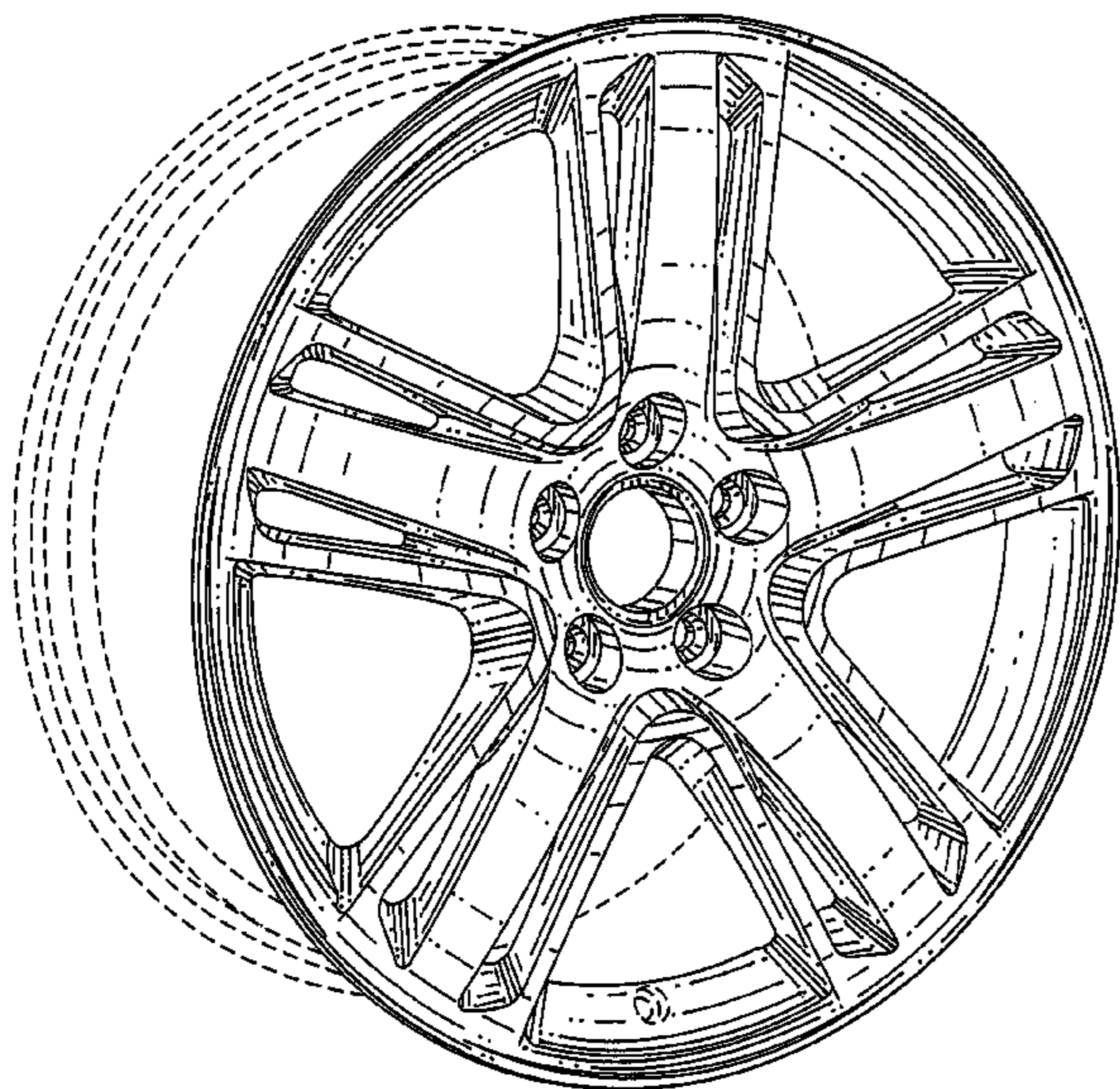
FIG. 1 is a front and left side perspective view of the wheel for motor vehicle, toy replica and/or other replicas, showing my new design;

FIG. 2 is a front elevational view thereof; and,

FIG. 3 is a right side elevational view thereof.

The broken lines represent portions of the wheel for motor vehicle, toy replica and/or other replicas, which form no part of the claimed design.

**1 Claim, 3 Drawing Sheets**





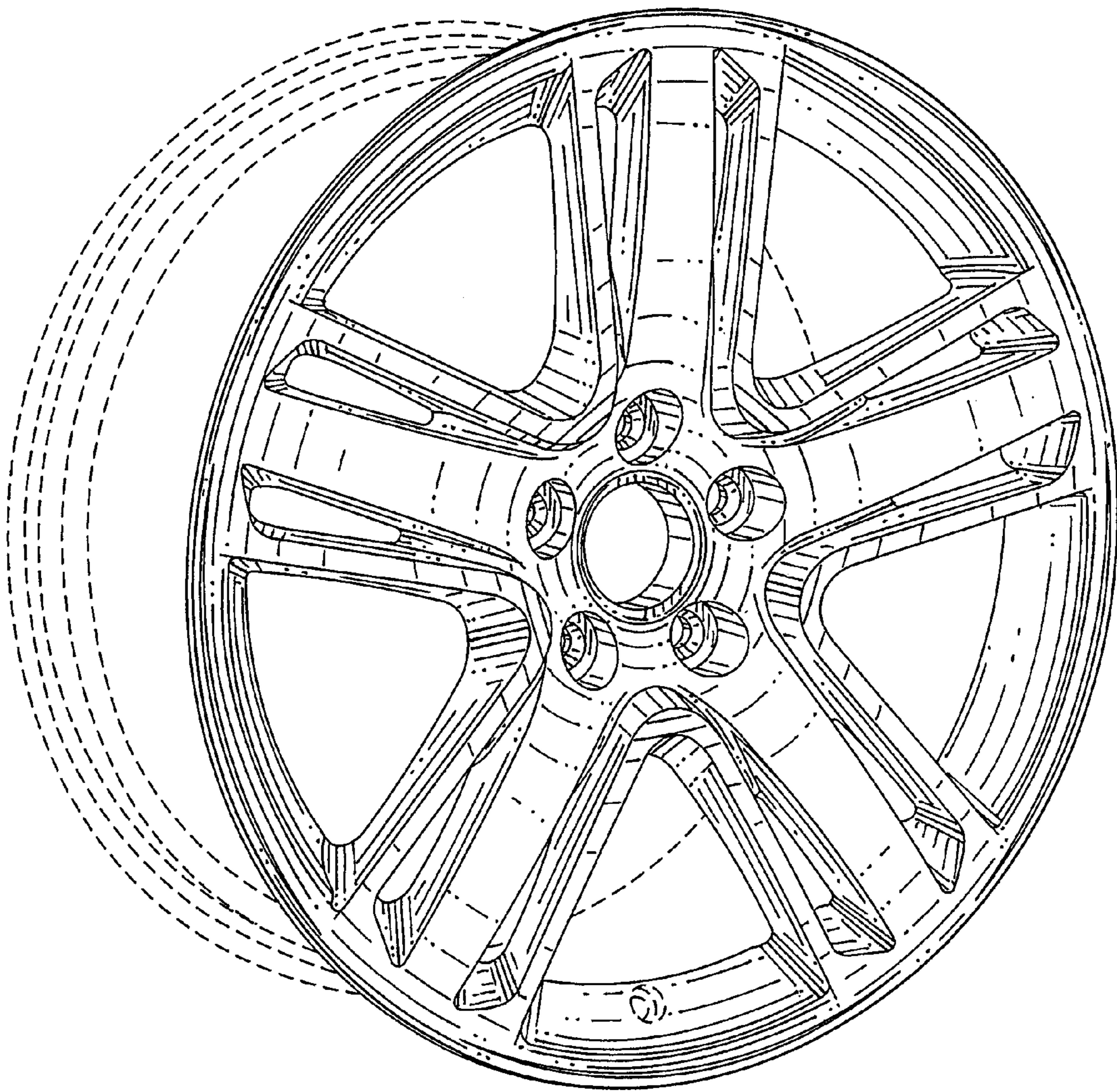


FIG. 1

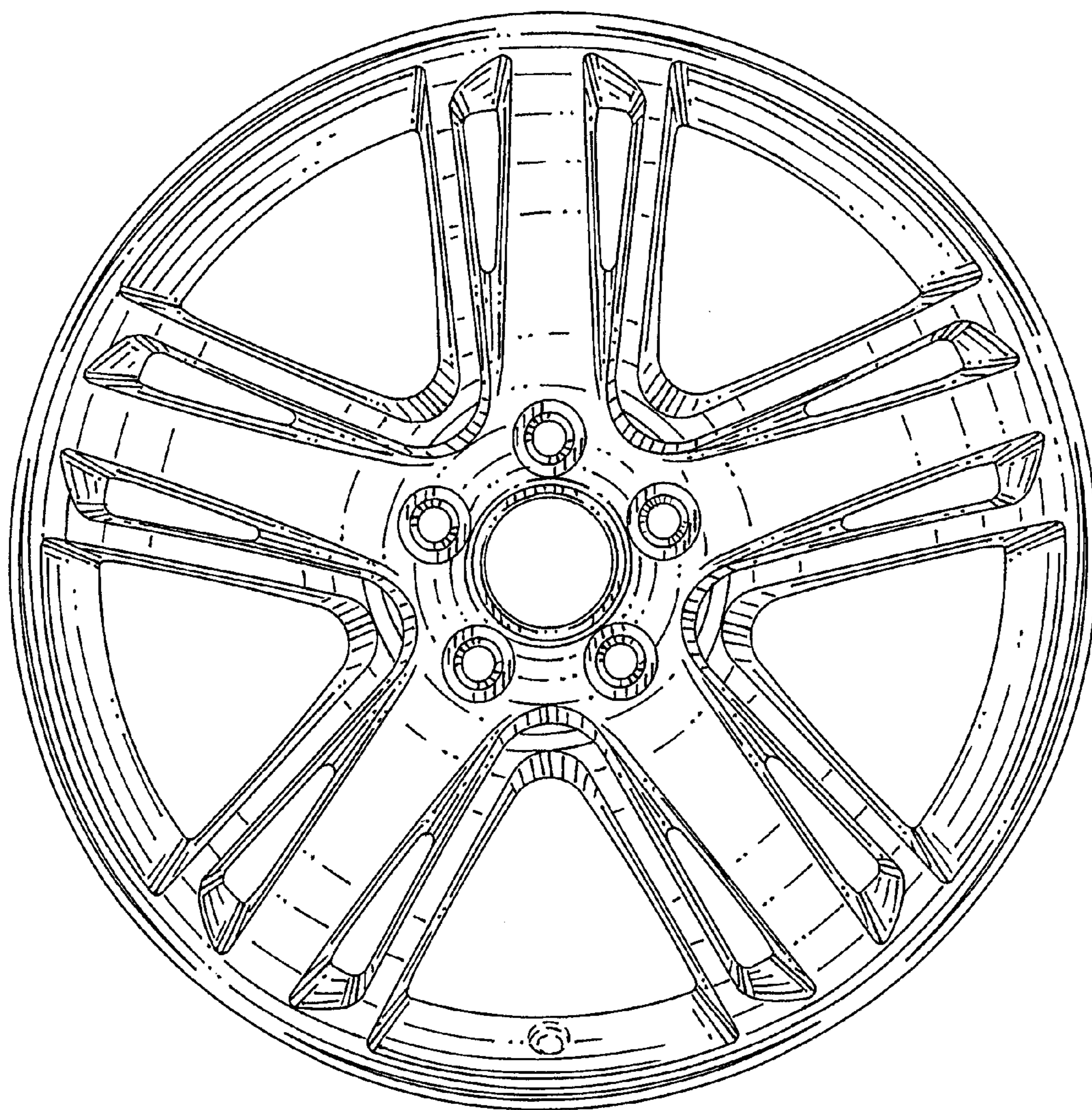


FIG. 2

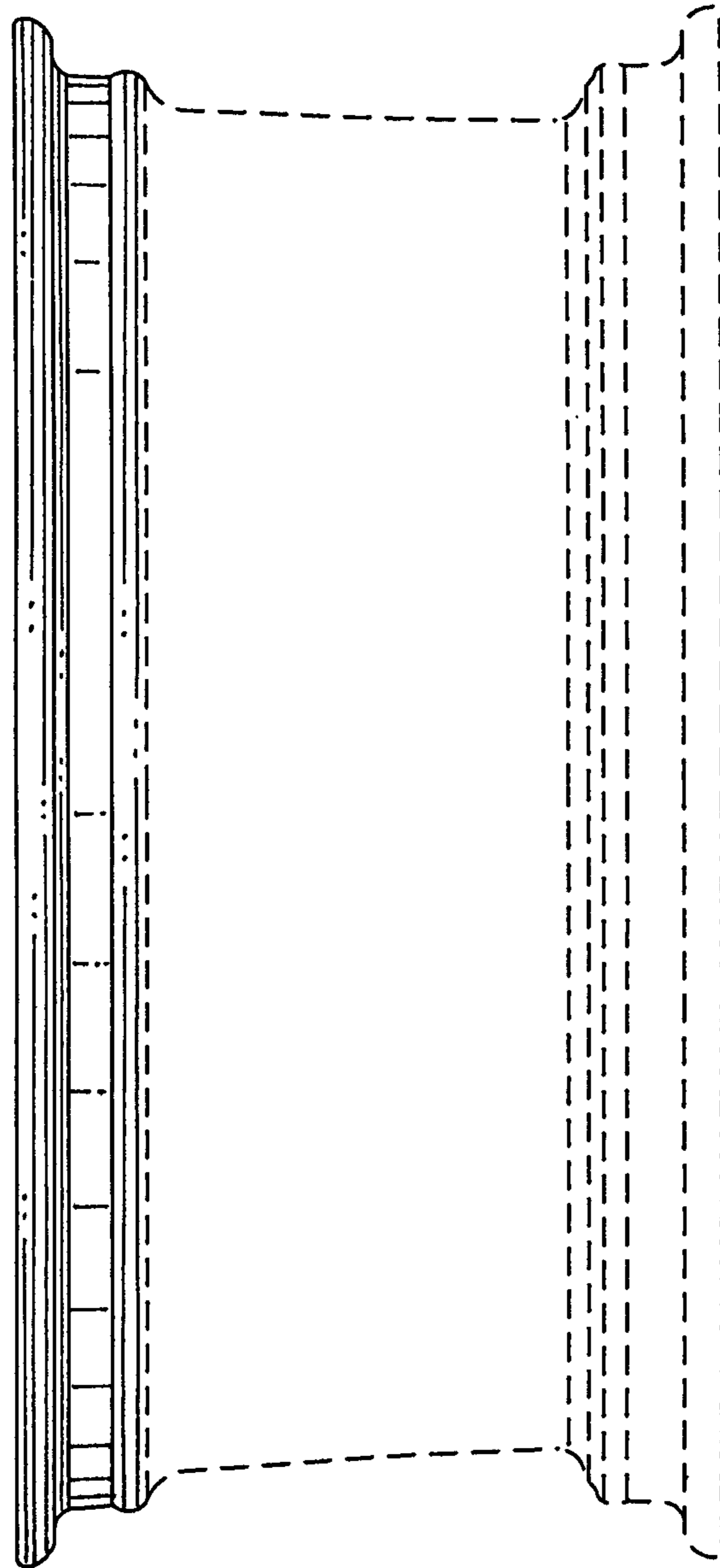


FIG. 3